



US00D517183S

(12) **United States Design Patent**
Huang

(10) **Patent No.:** **US D517,183 S**

(45) **Date of Patent:** **** Mar. 14, 2006**

(54) **AIR FILTER**

(76) **Inventor:** **Jui-Fa Huang**, No. 523, Juanglu Rd.,
Sioushuei Township, Changhua County
504 (TW)

(**) **Term:** **14 Years**

(21) **Appl. No.:** **29/214,022**

(22) **Filed:** **Sep. 28, 2004**

(51) **LOC (8) Cl.** **23-04**

(52) **U.S. Cl.** **D23/365**

(58) **Field of Classification Search** D23/355,
D23/364-5; 55/467, 471, 472, 356
See application file for complete search history.

(56) **References Cited**

U.S. PATENT DOCUMENTS

- D355,962 S * 2/1995 Chiu et al. D23/364
- D383,202 S * 9/1997 Meister et al. D23/364
- D398,045 S * 9/1998 Jane et al. D23/364

- 5,814,117 A * 9/1998 Mochida 55/385.3
- 6,616,722 B1 * 9/2003 Cartellone 55/459.3
- D493,874 S * 8/2004 Woods D23/364

* cited by examiner

Primary Examiner—Robin V. Webster

(74) *Attorney, Agent, or Firm*—Troxell Law Office, PLLC

(57) **CLAIM**

The ornamental design for an air filter, as shown and described.

DESCRIPTION

FIG. 1 is a perspective view of a air filter in the present design.

FIG. 2 is a right view of a air filter in the present design.

FIG. 3 is a top view of a air filter in the present design.

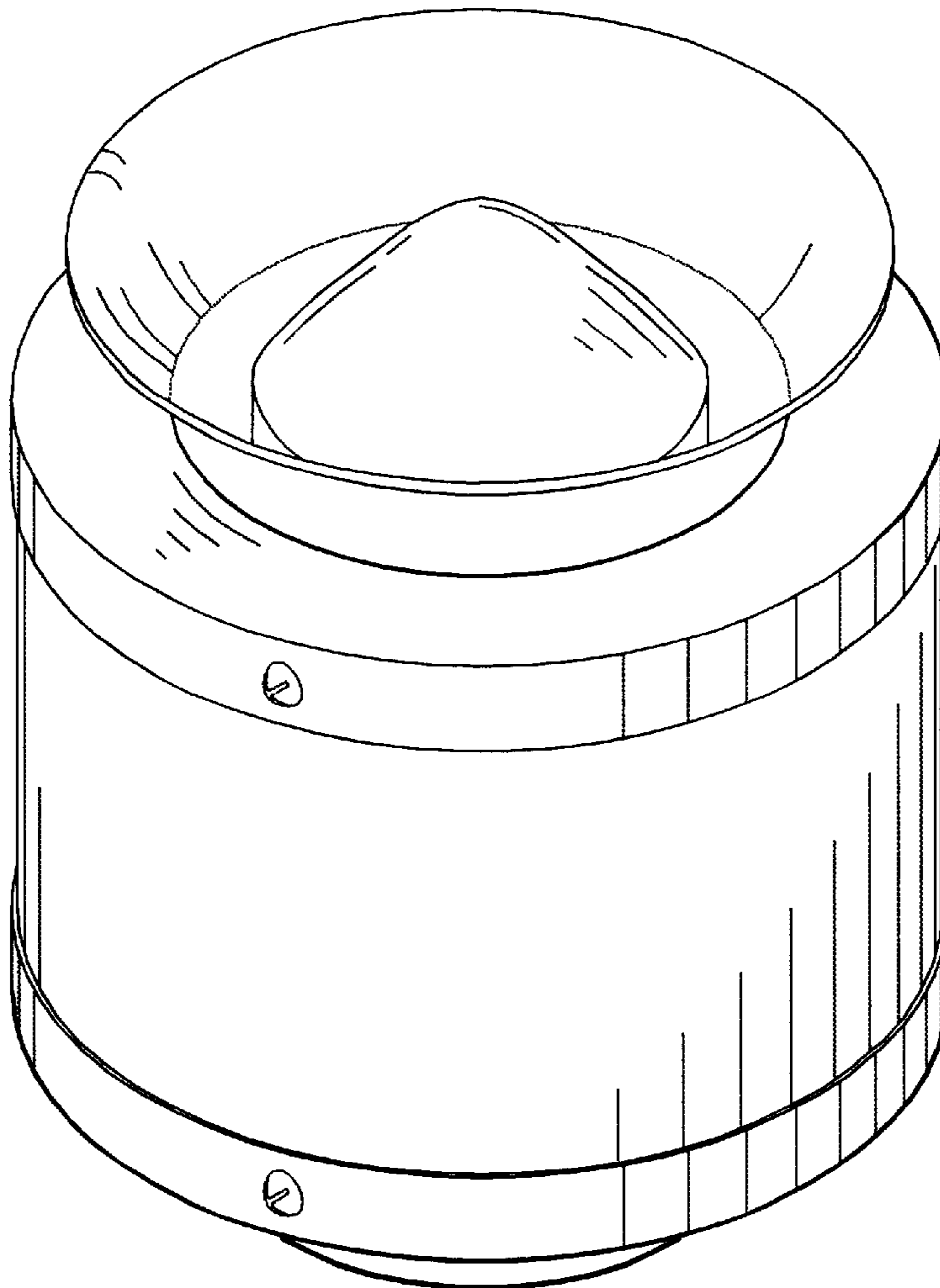
FIG. 4 is a front view of a air filter in the present design.

FIG. 5 is a bottom view of a air filter in the present design.

FIG. 6 is a left view of a air filter in the present design; and,

FIG. 7 is a rear view of a air filter in the present design.

1 Claim, 4 Drawing Sheets



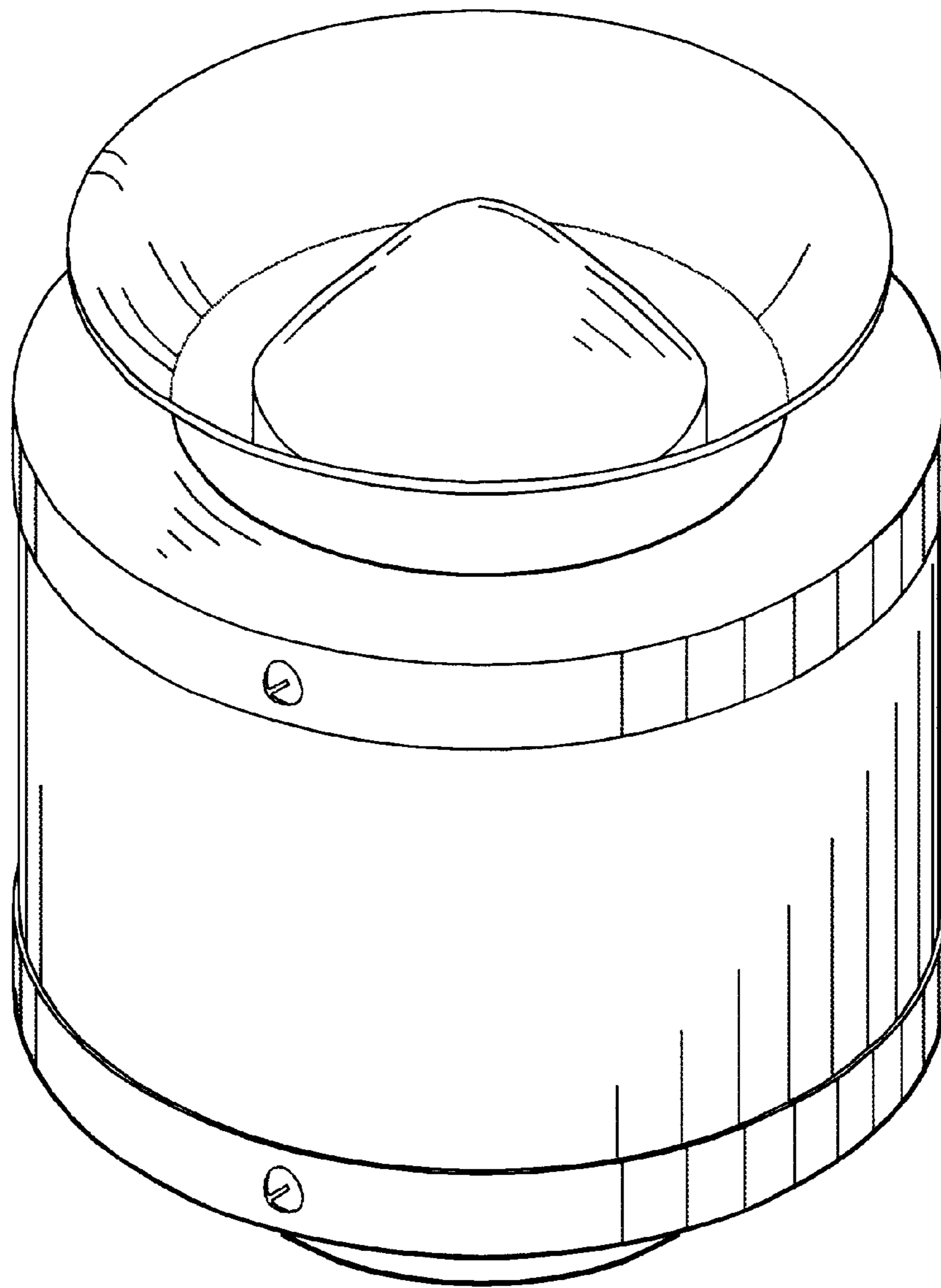


FIG. 1

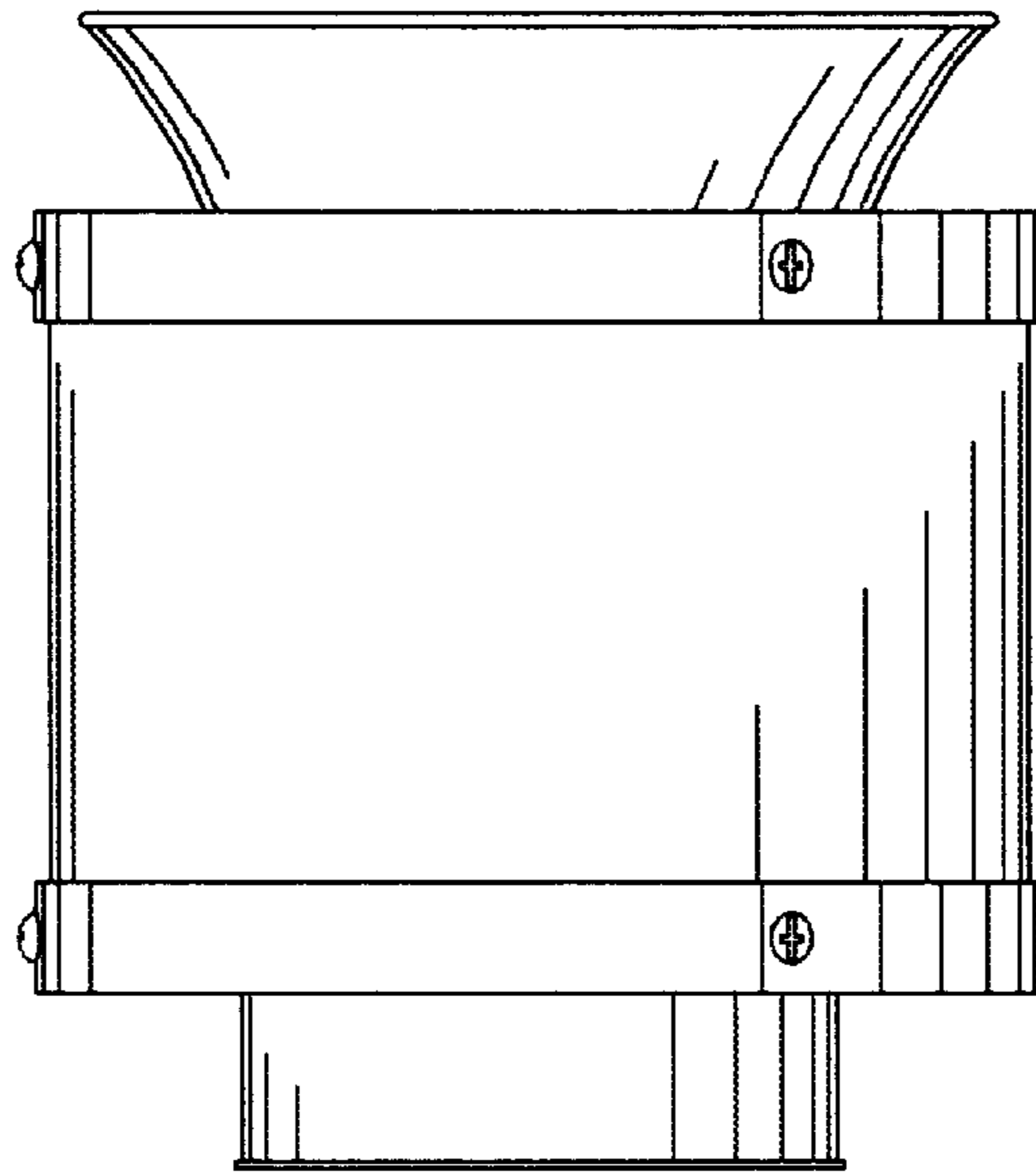


FIG. 2

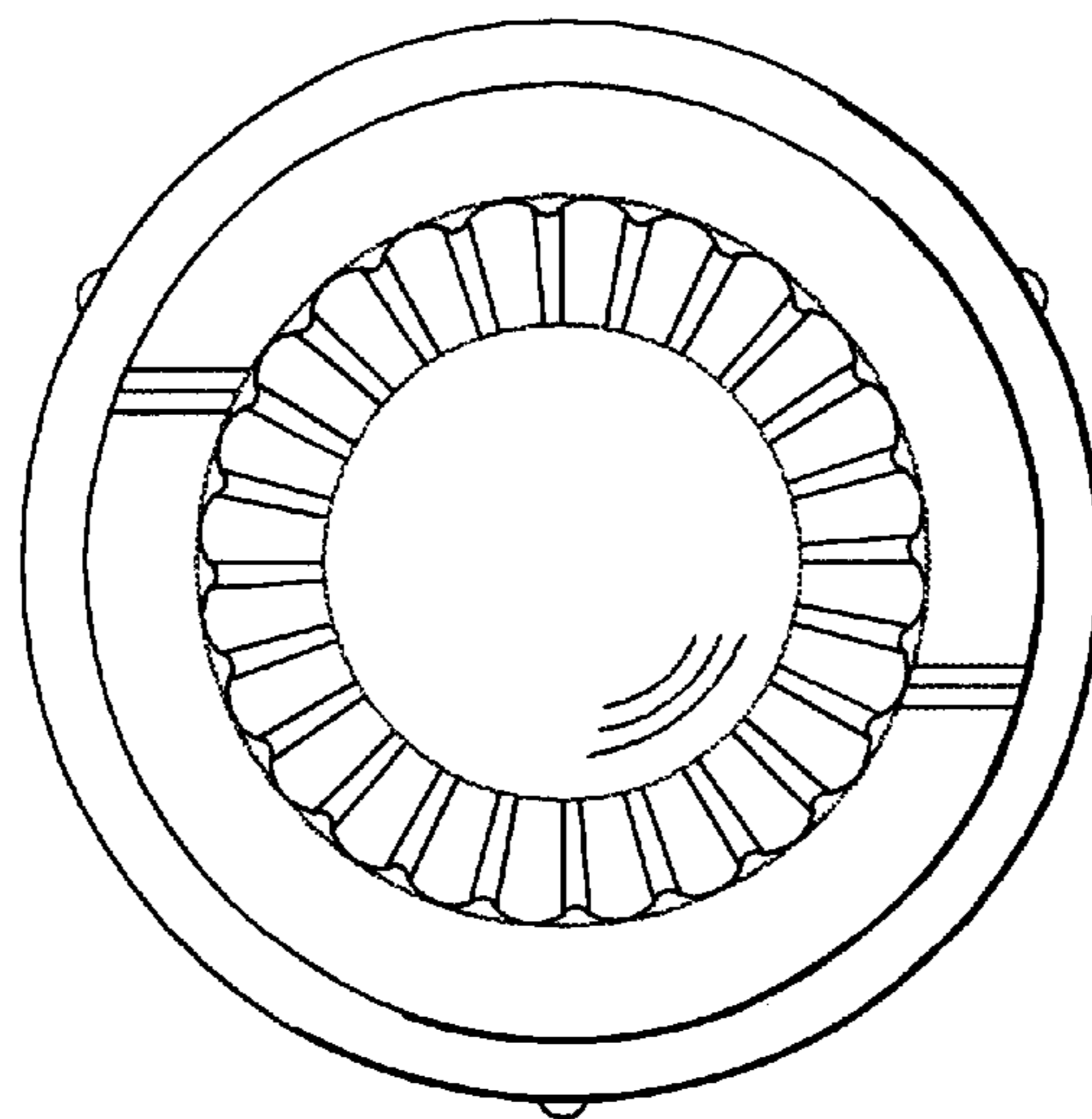


FIG. 3

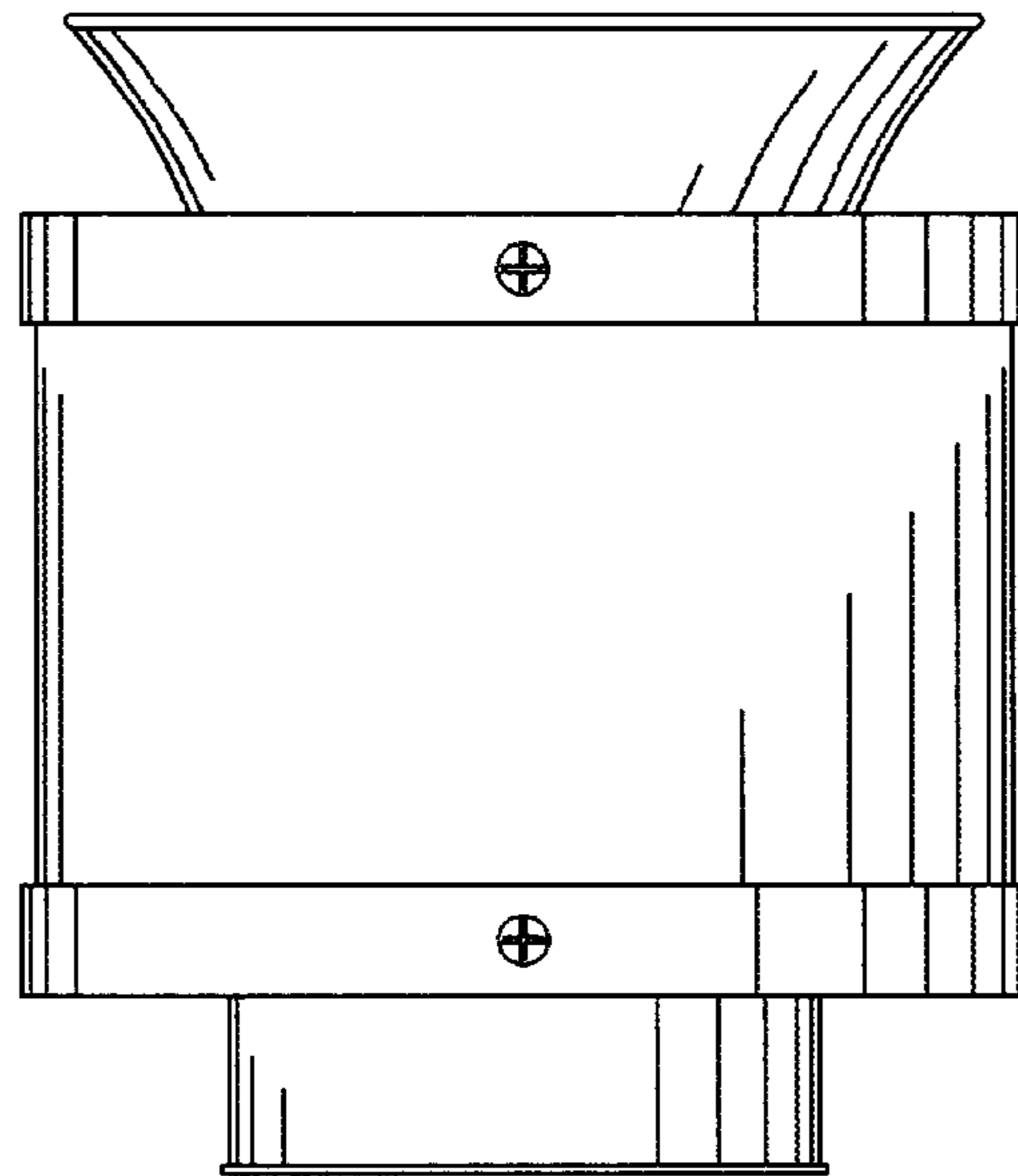


FIG. 4

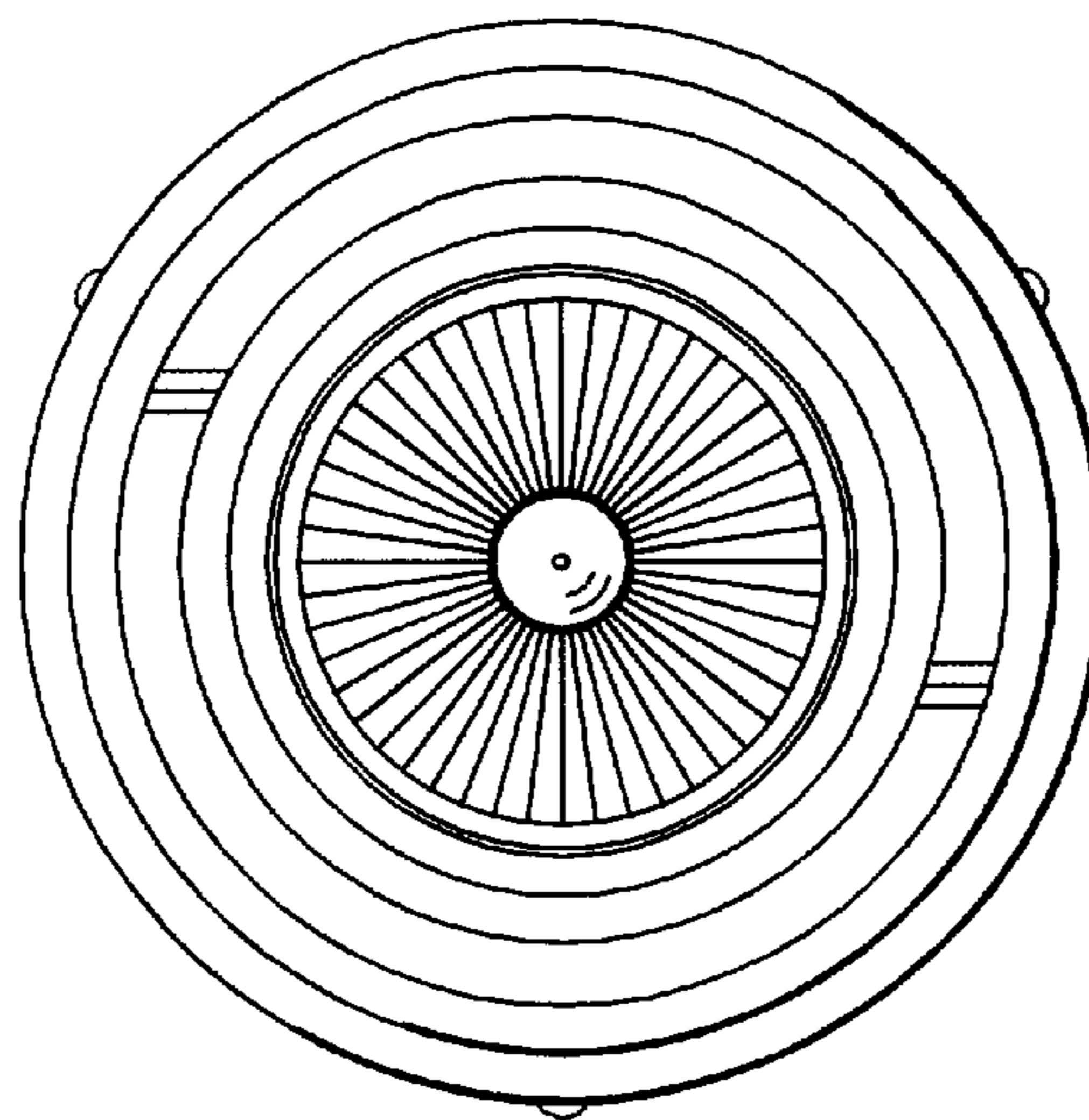


FIG. 5

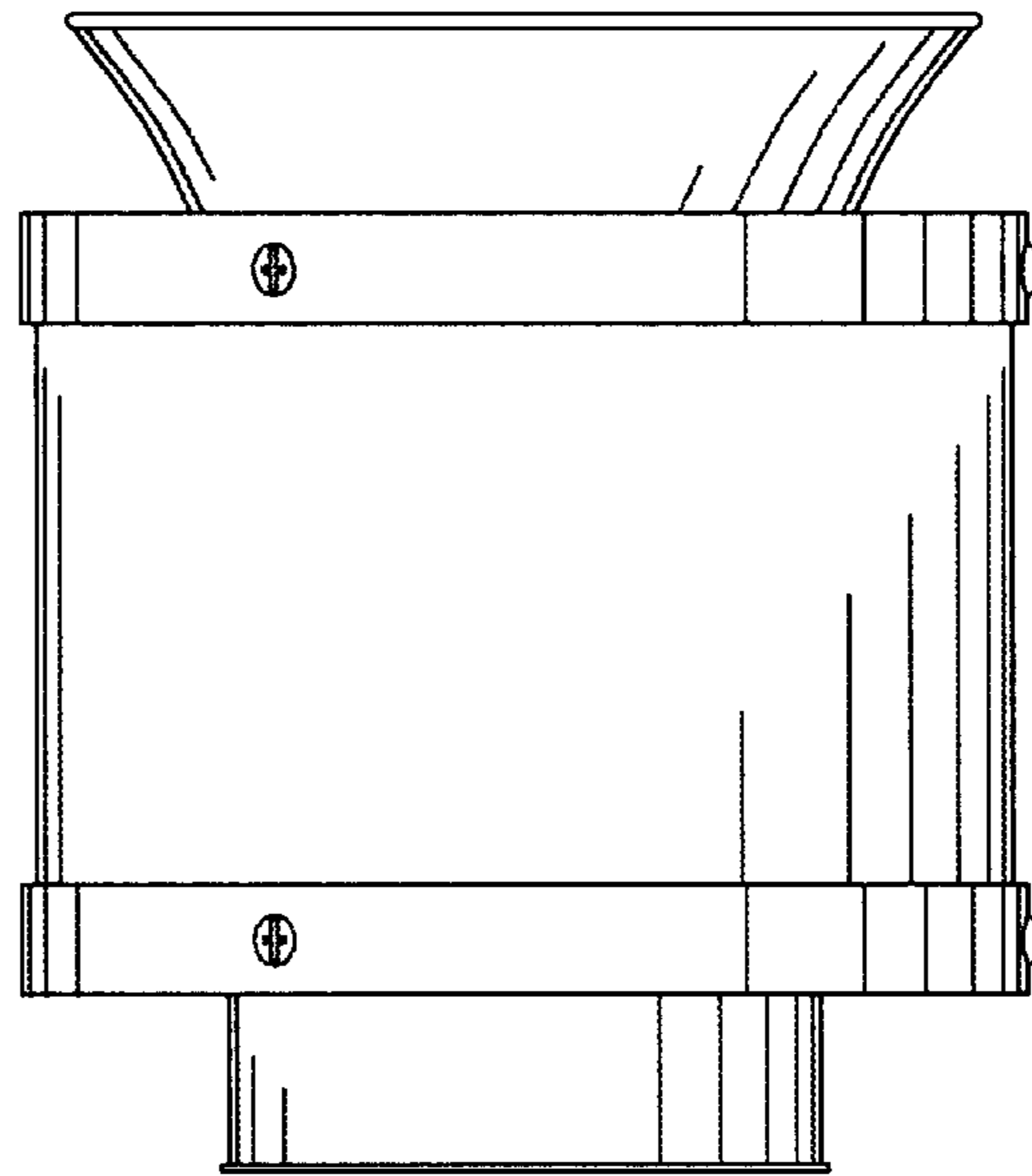


FIG. 6

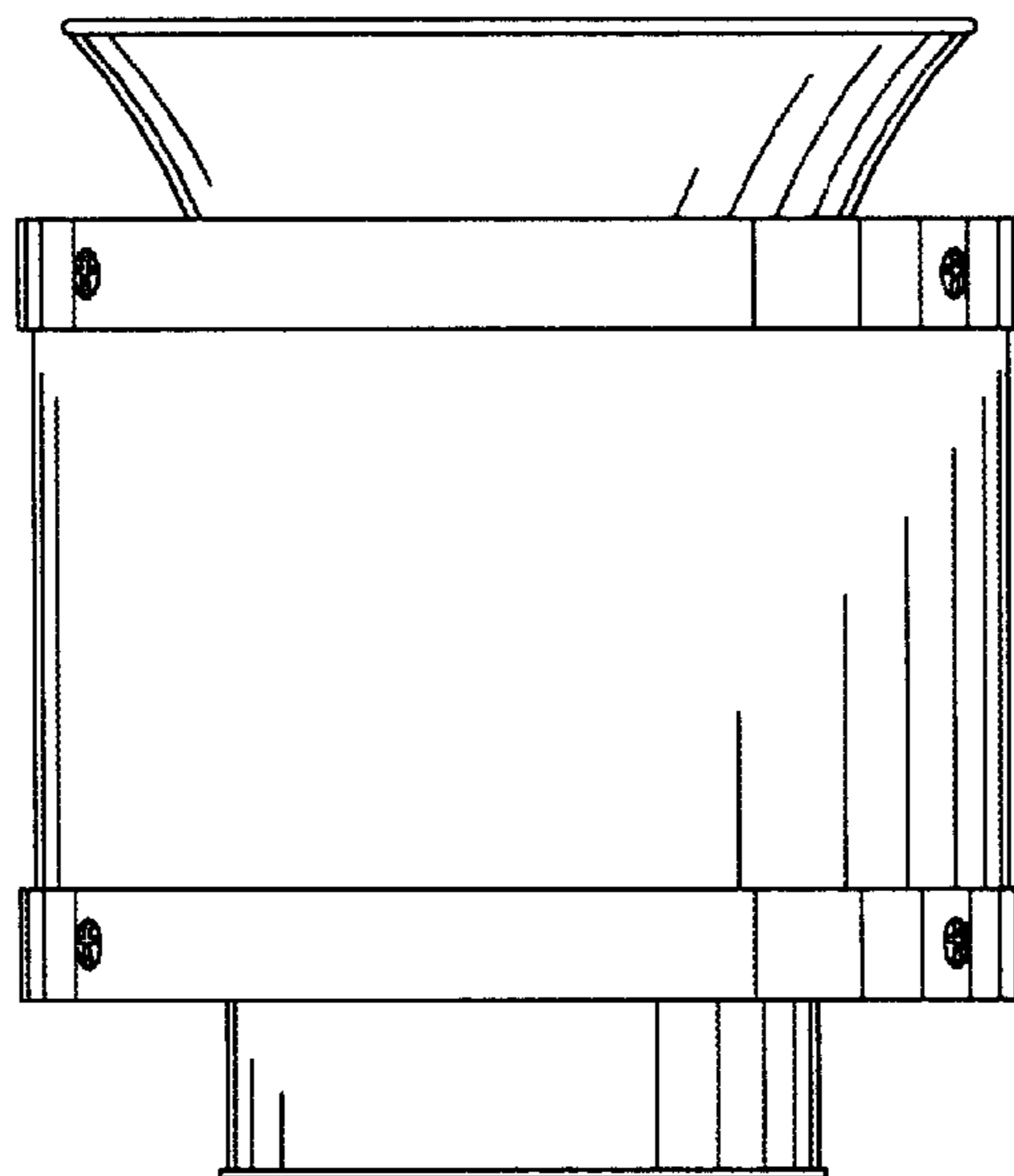


FIG. 7