



US00D517180S

(12) **United States Design Patent**
Chan

(10) **Patent No.:** **US D517,180 S**
(45) **Date of Patent:** **** Mar. 14, 2006**

- (54) **BRACKET FOR A SHOWER BAR**
- (75) Inventor: **Wai Man Chan, Tsuen Wan (HK)**
- (73) Assignee: **Jing Mei Industrial Holding Limited, Rarotonga (CK)**
- (**) Term: **14 Years**
- (21) Appl. No.: **29/231,582**
- (22) Filed: **Jun. 7, 2005**

6,123,308 A * 9/2000 Faisst 4/605
6,473,916 B1 * 11/2002 Schi.o slashed.dt 4/605

* cited by examiner

Primary Examiner—Robert A. Delehanty
(74) *Attorney, Agent, or Firm*—Norris McLaughlin & Marcus PA

(57) **CLAIM**

The ornamental design for a bracket for a shower bar, as shown and described.

Related U.S. Application Data

- (62) Division of application No. 29/222,162, filed on Jan. 26, 2005.
 - (51) **LOC (8) Cl.** **23-02**
 - (52) **U.S. Cl.** **D23/304**
 - (58) **Field of Classification Search** D23/270–271, D23/275, 283, 303–304; 4/546, 552, 605, 4/596–597, 615, 617, 601; D8/355, 373; 248/229.1
- See application file for complete search history.

DESCRIPTION

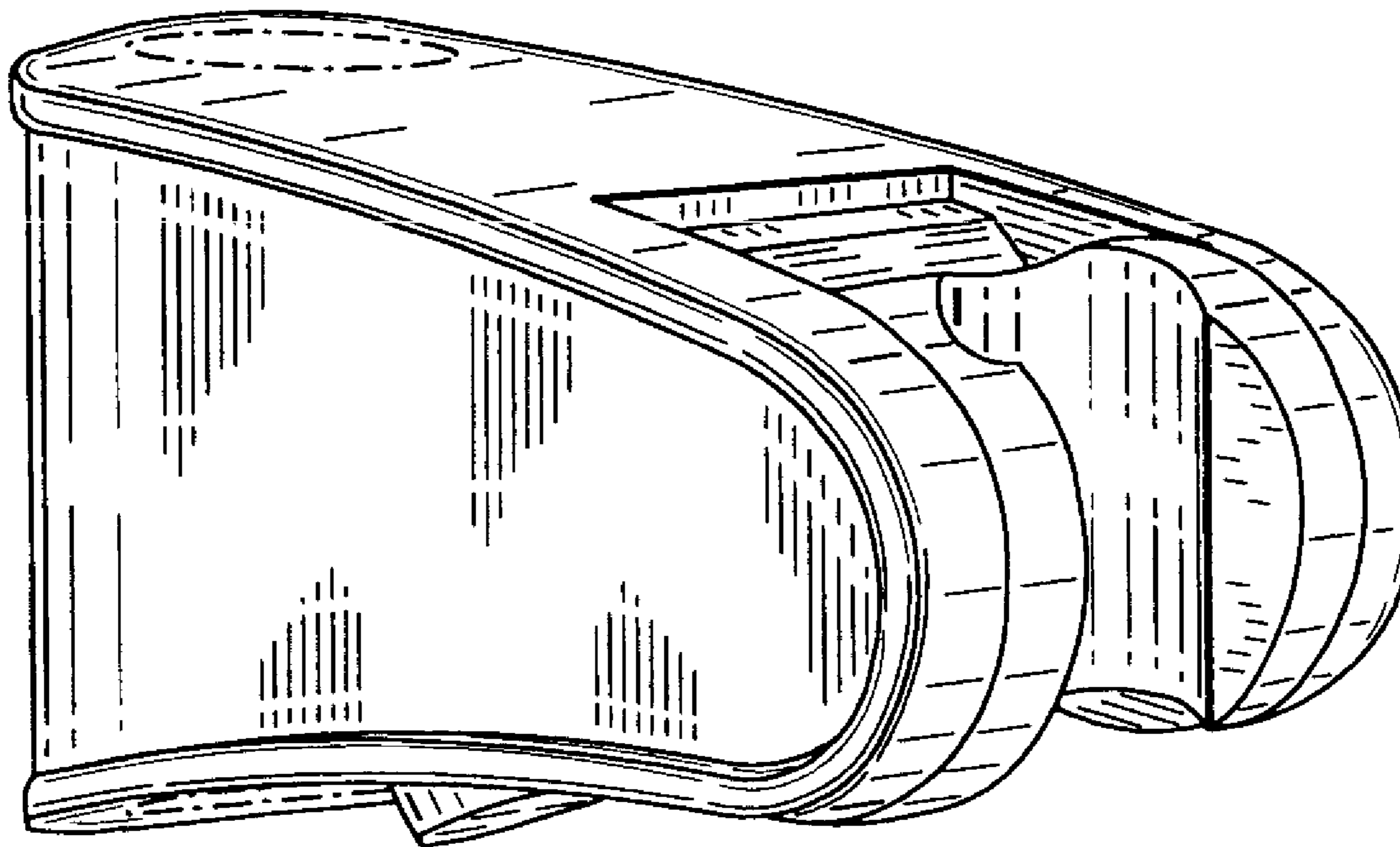
FIG. 1 is a perspective view of the front of a bracket for a shower bar;
FIG. 2 is an elevation view of the front thereof;
FIG. 3 is an elevation view of the rear thereof;
FIG. 4 is an elevation view of a side thereof;
FIG. 5 is a plan view of the top thereof;
FIG. 6 is plan view of the bottom thereof; and,
FIG. 7 is a perspective view thereof showing a complete shower bar (portions not claimed shown with broken lines). The broken line showing the shower bar and anchors coupled in FIG. 7 is for illustrative purposes only and forms no part of the claimed design.

(56) **References Cited**

U.S. PATENT DOCUMENTS

5,277,391 A * 1/1994 Haug et al. 4/605

1 Claim, 2 Drawing Sheets



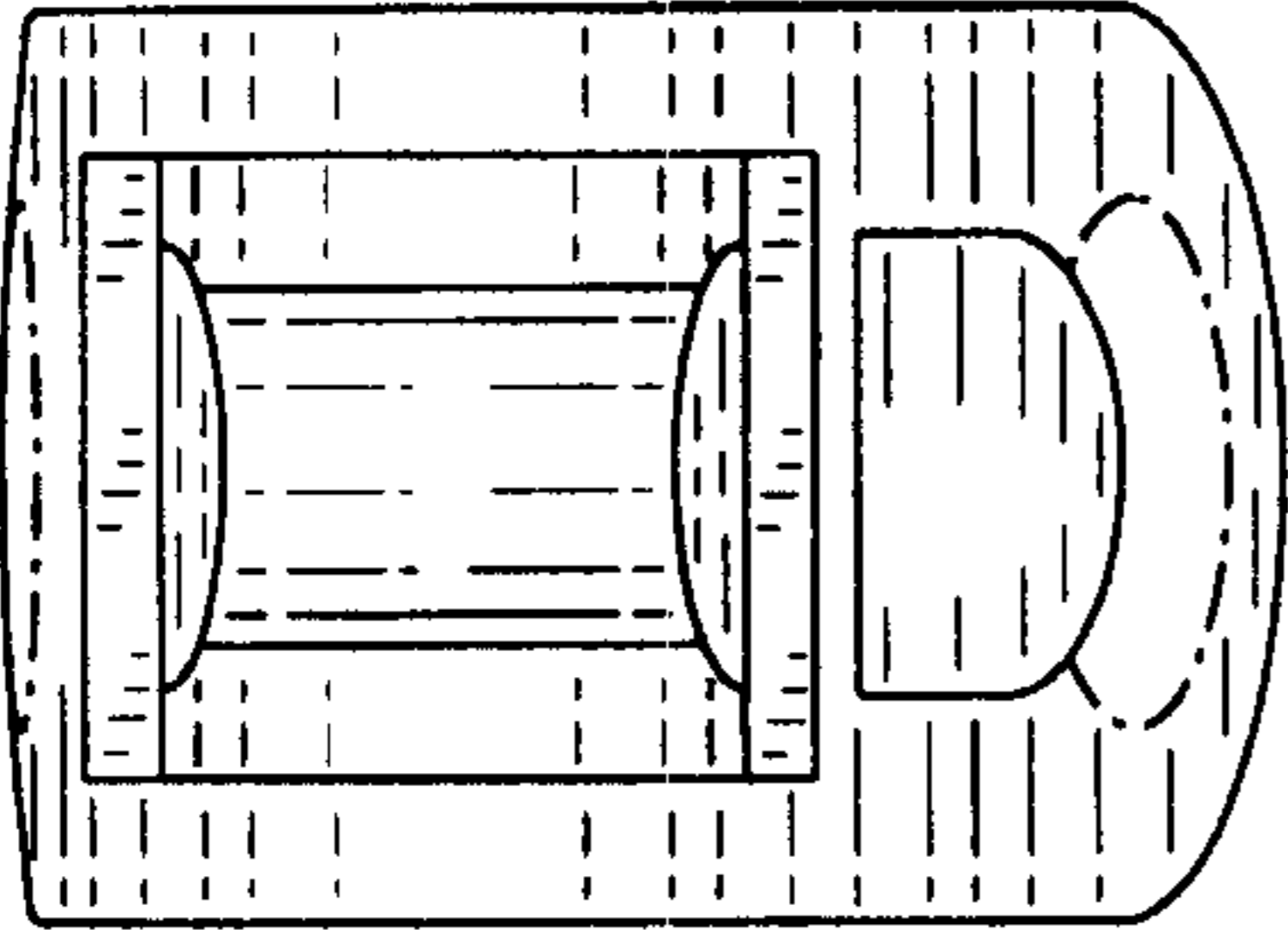


FIG. 2

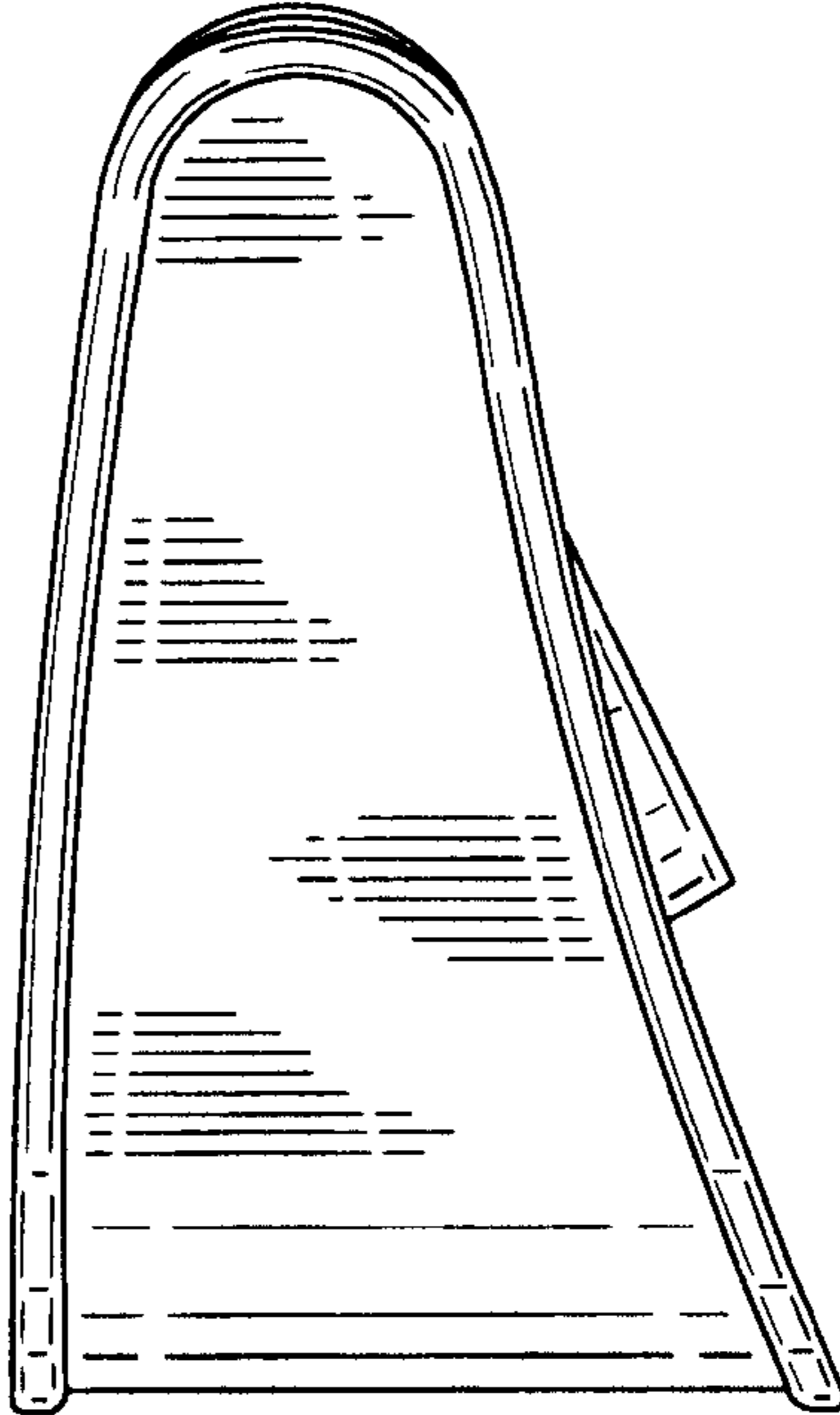


FIG. 4

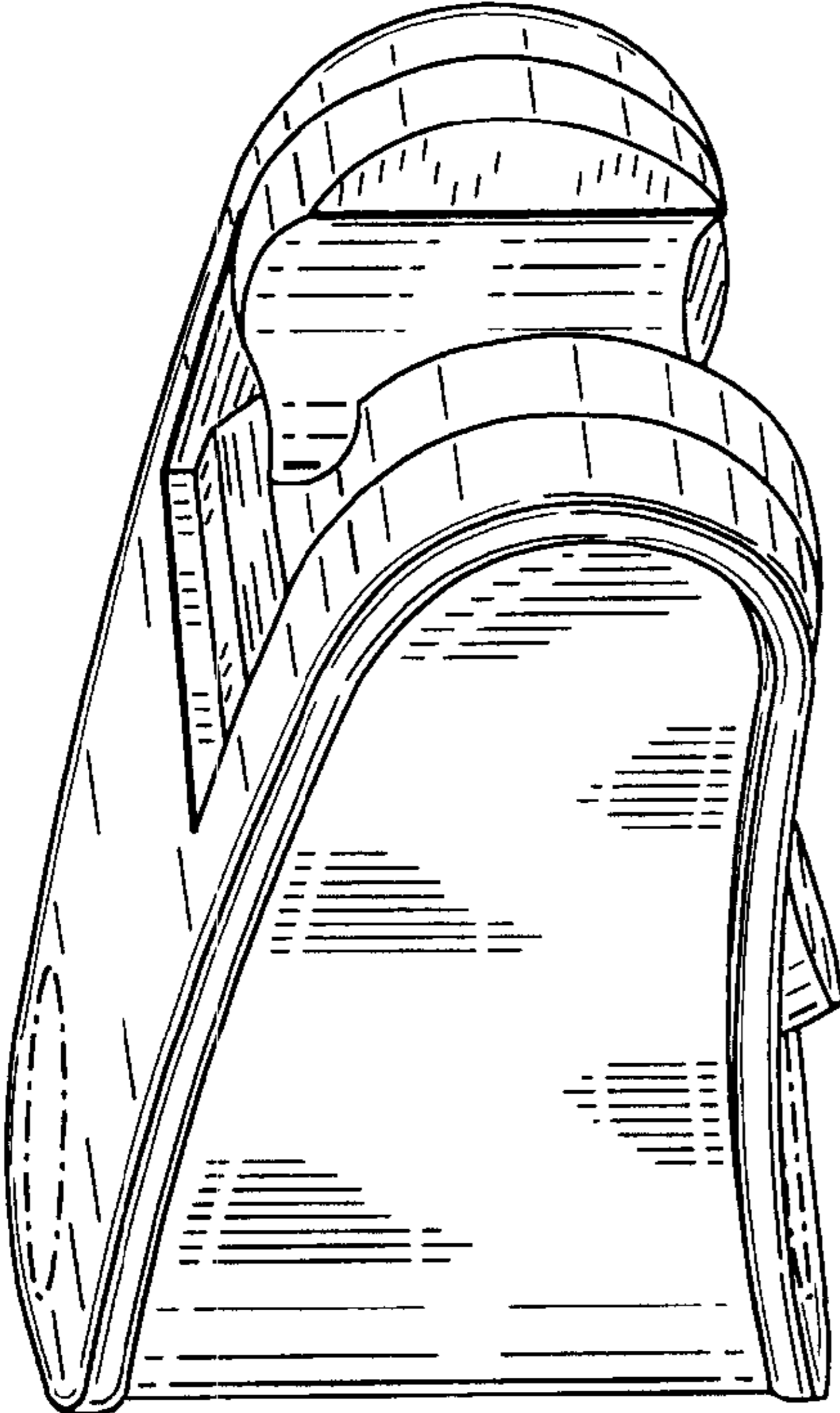


FIG. 1

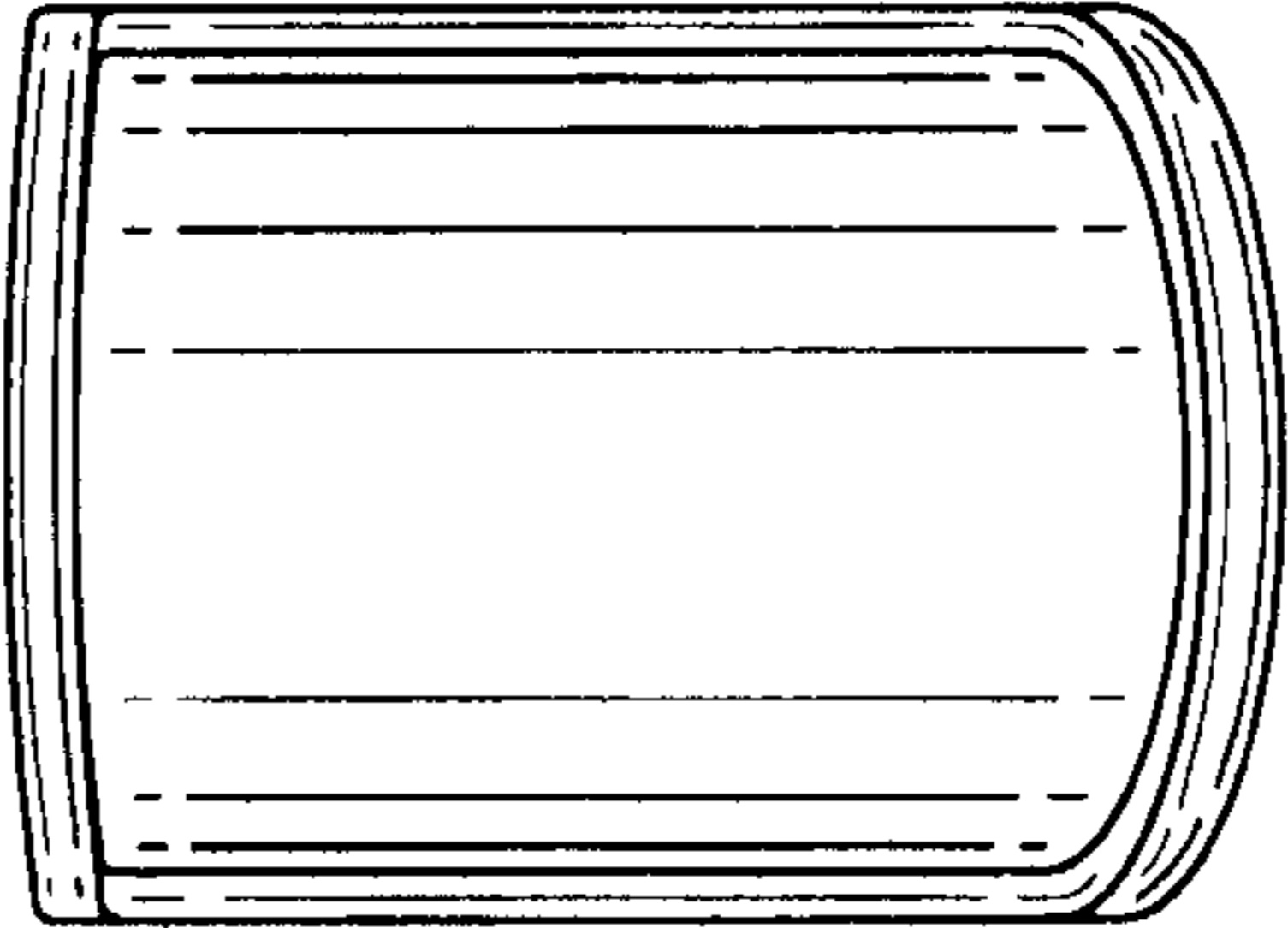


FIG. 3

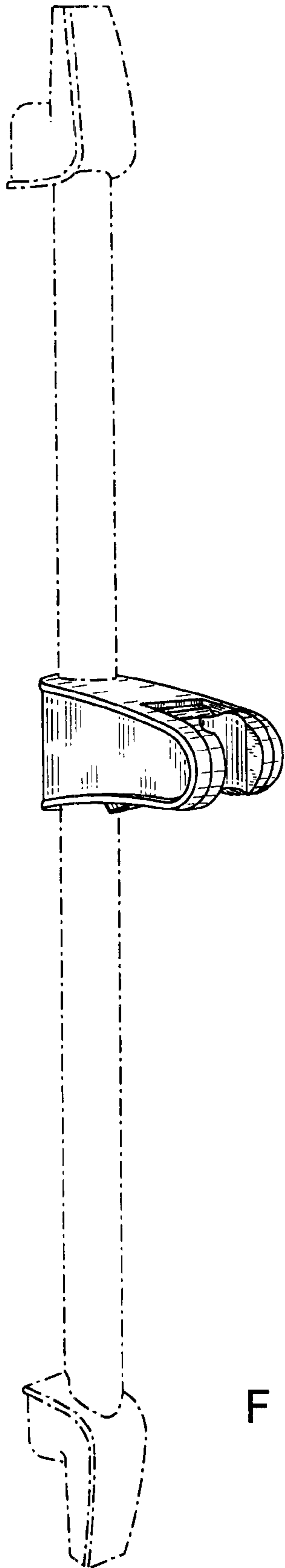


FIG. 7

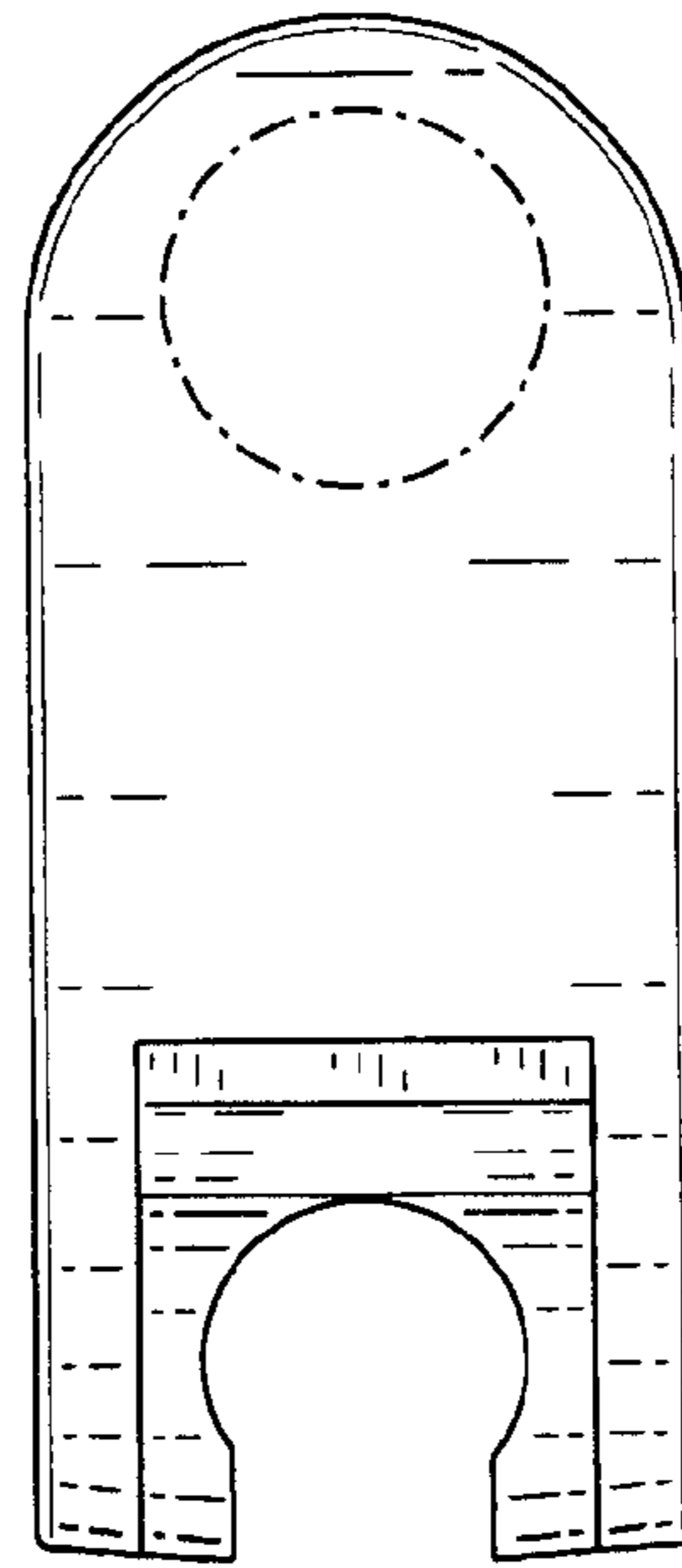


FIG. 5

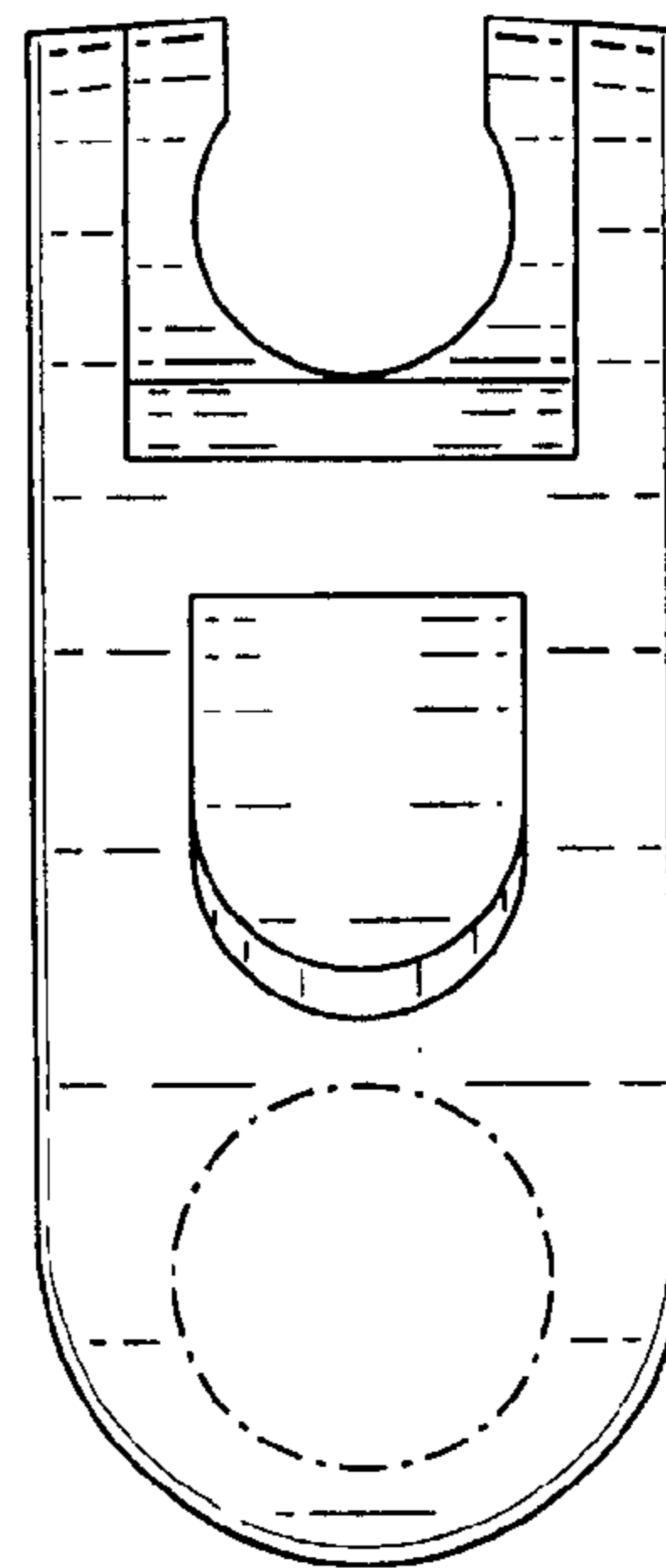


FIG. 6