



US00D517179S

(12) **United States Design Patent**
Chan

(10) **Patent No.: US D517,179 S**
(45) **Date of Patent: ** Mar. 14, 2006**

(54) **SHOWER ARM BRACKET**

6,473,916 B1 * 11/2002 Schi.o slashed.dt 4/615

(75) Inventor: **Wai Man Chan, Tsuen Wan (HK)**

* cited by examiner

(73) Assignee: **Jing Mei Industrial Holdings Limited (CK)**

Primary Examiner—Robert A. Delehanty
(74) *Attorney, Agent, or Firm*—Wolf, Greenfield & Sacks, P.C.

(**) Term: **14 Years**

(57) **CLAIM**

(21) Appl. No.: **29/222,455**

The ornamental design for a shower arm bracket, as shown and described.

(22) Filed: **Jan. 29, 2005**

(51) **LOC (8) Cl. 23-02**

(52) **U.S. Cl. D23/304**

(58) **Field of Classification Search** D23/270–271,
D23/275, 283, 303–304, 213, 266, 228–229;
4/546, 552, 605, 596–597, 615, 617, 601;
D8/354–356, 373; 248/229.1

See application file for complete search history.

DESCRIPTION

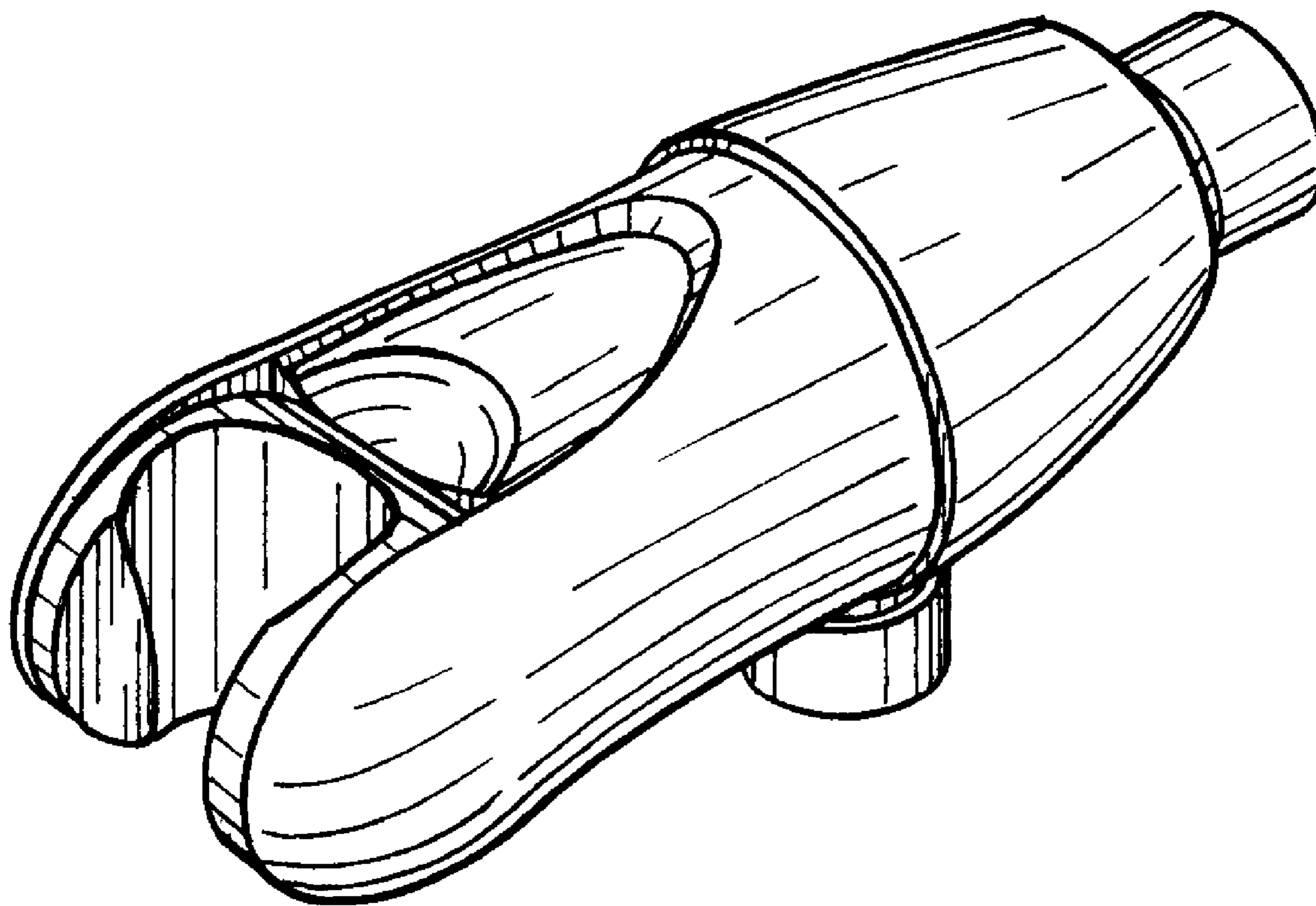
FIG. 1 is a perspective view of a shower arm bracket showing my new design;
FIG. 2 is a top plan view thereof;
FIG. 3 is a front elevational view thereof;
FIG. 4 is a left side elevational view thereof;
FIG. 5 is a right side elevational view thereof;
FIG. 6 is a rear elevational view thereof; and,
FIG. 7 is a bottom plan view thereof.

(56) **References Cited**

U.S. PATENT DOCUMENTS

4,174,822 A * 11/1979 Larsson 4/615

1 Claim, 2 Drawing Sheets



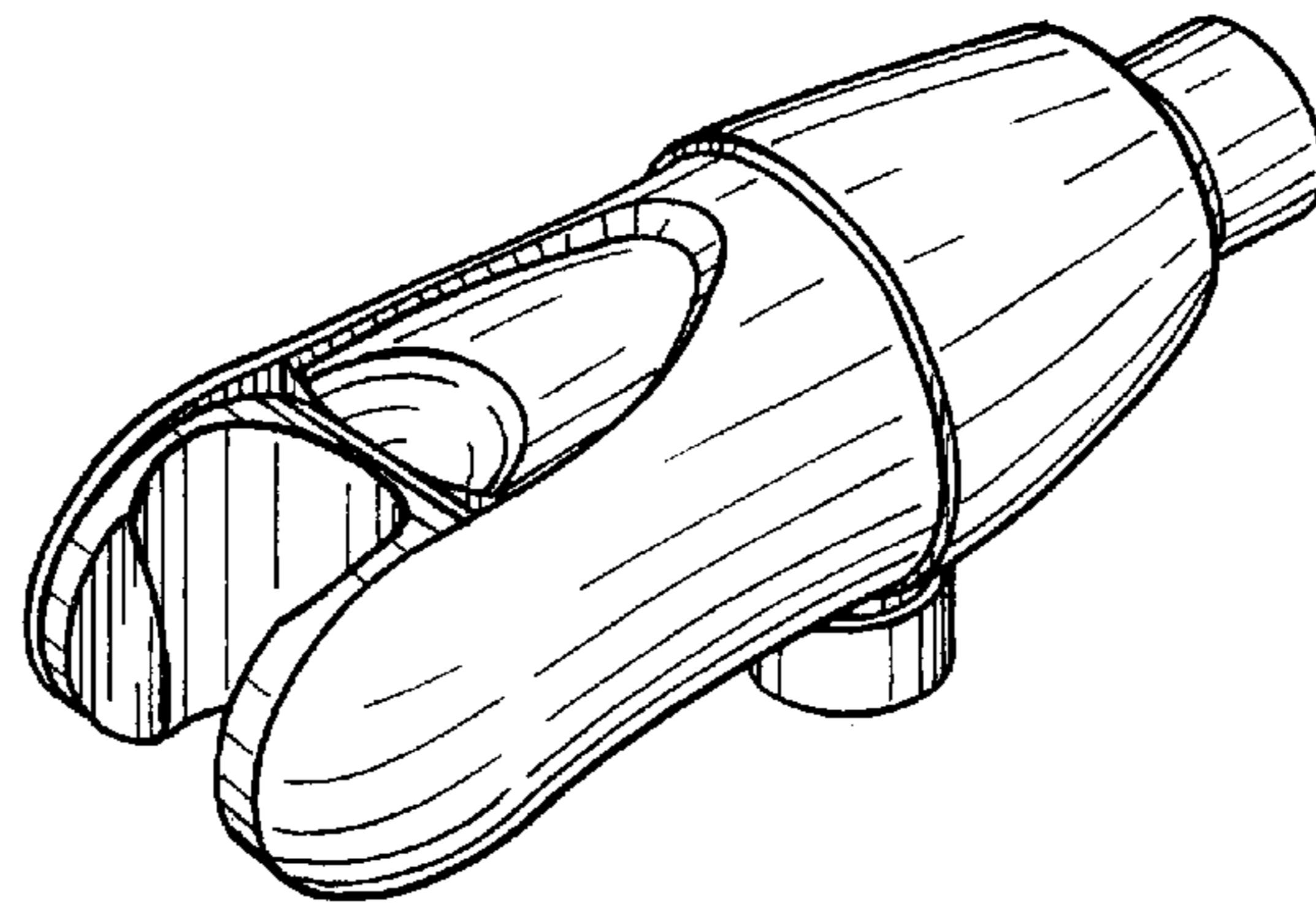


Fig. 1

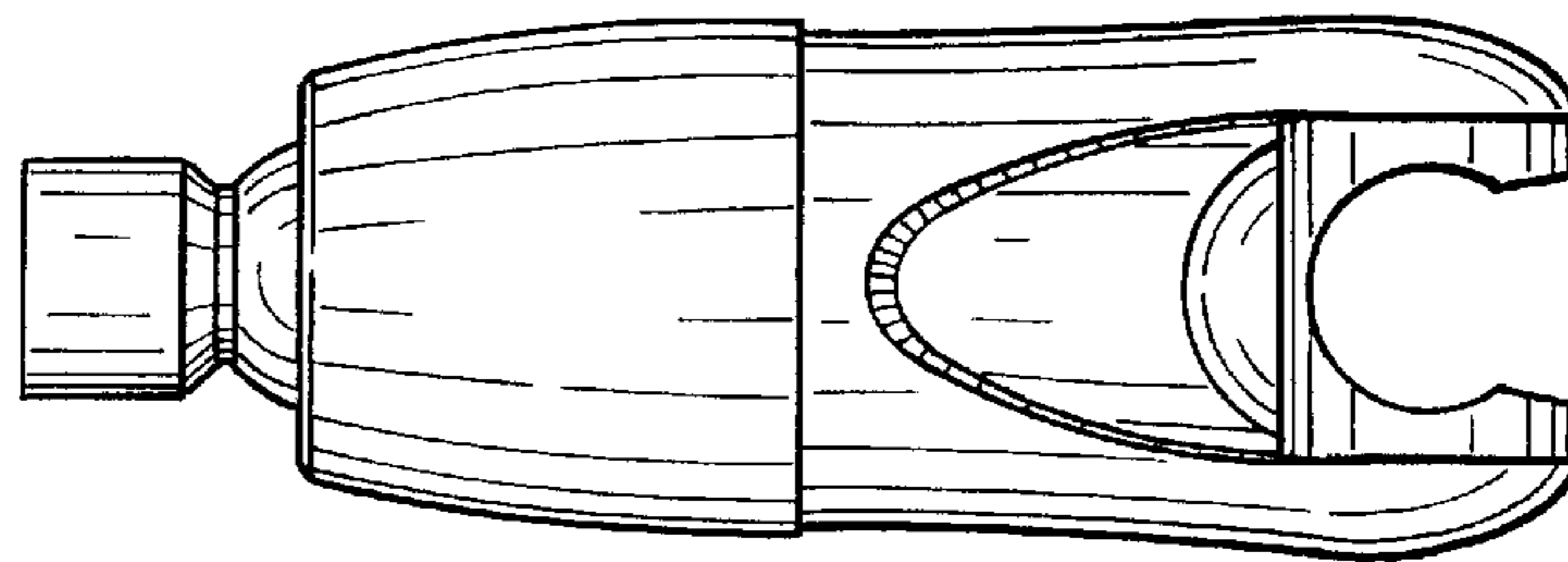


Fig. 2

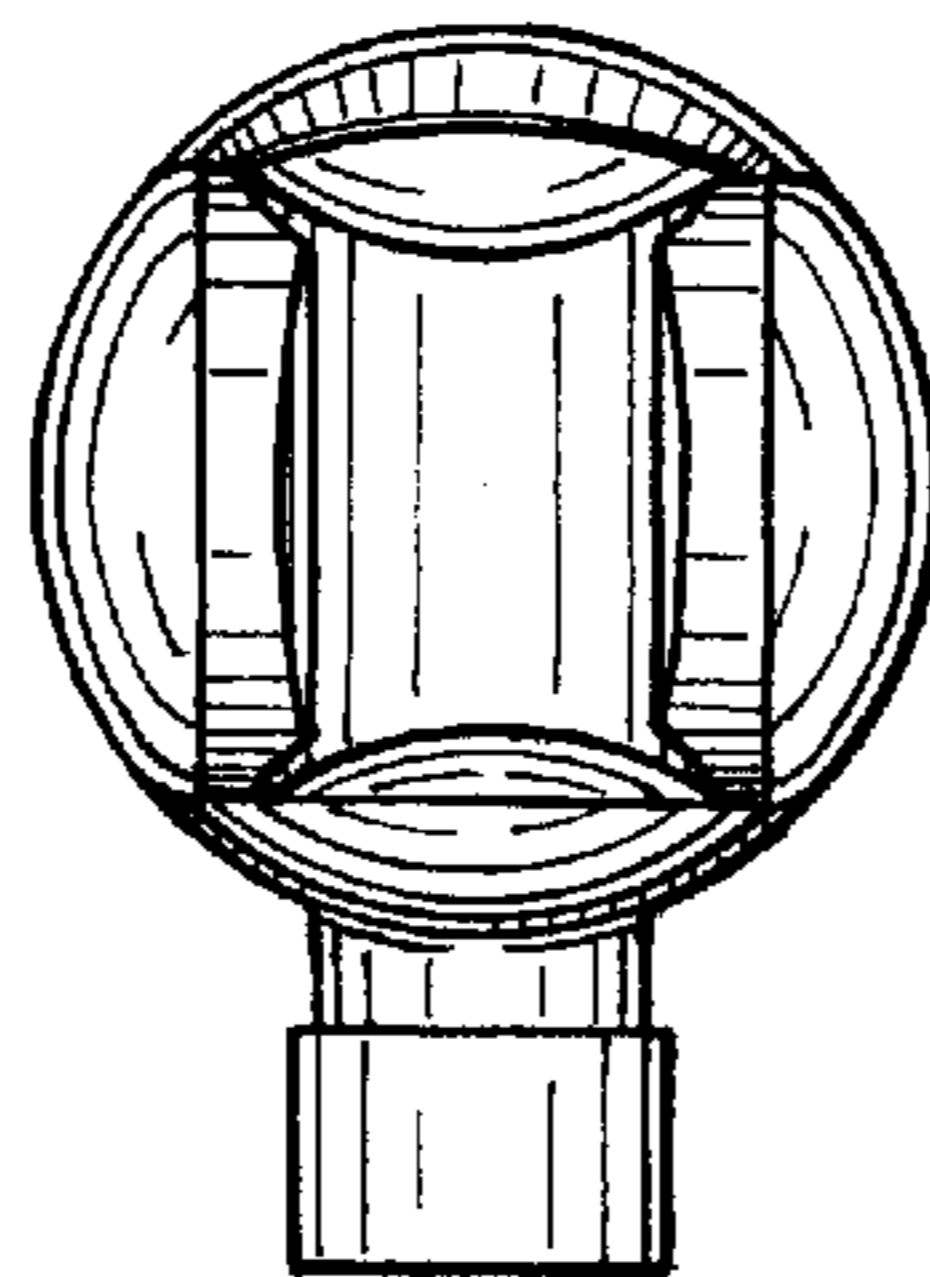


Fig. 3

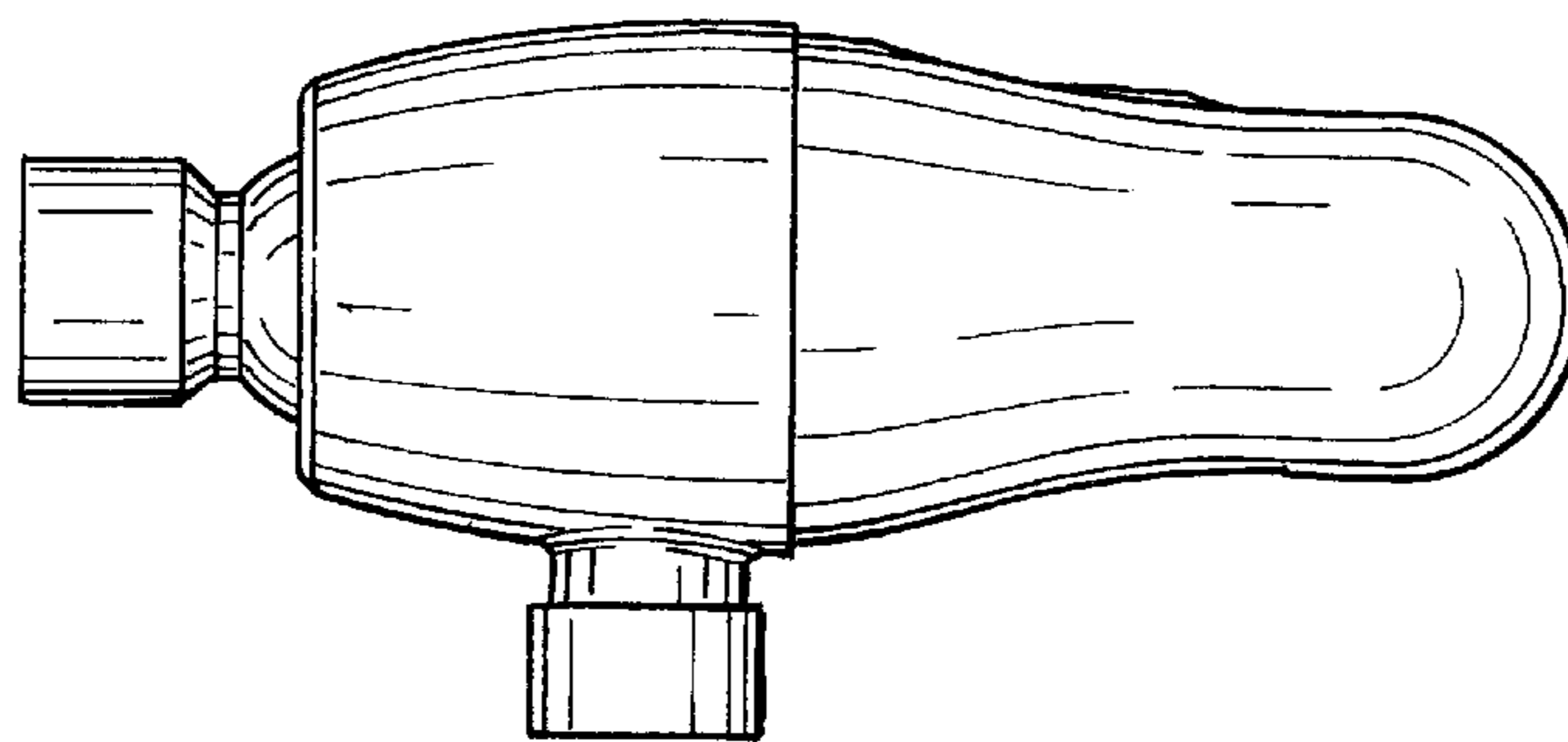


Fig. 4

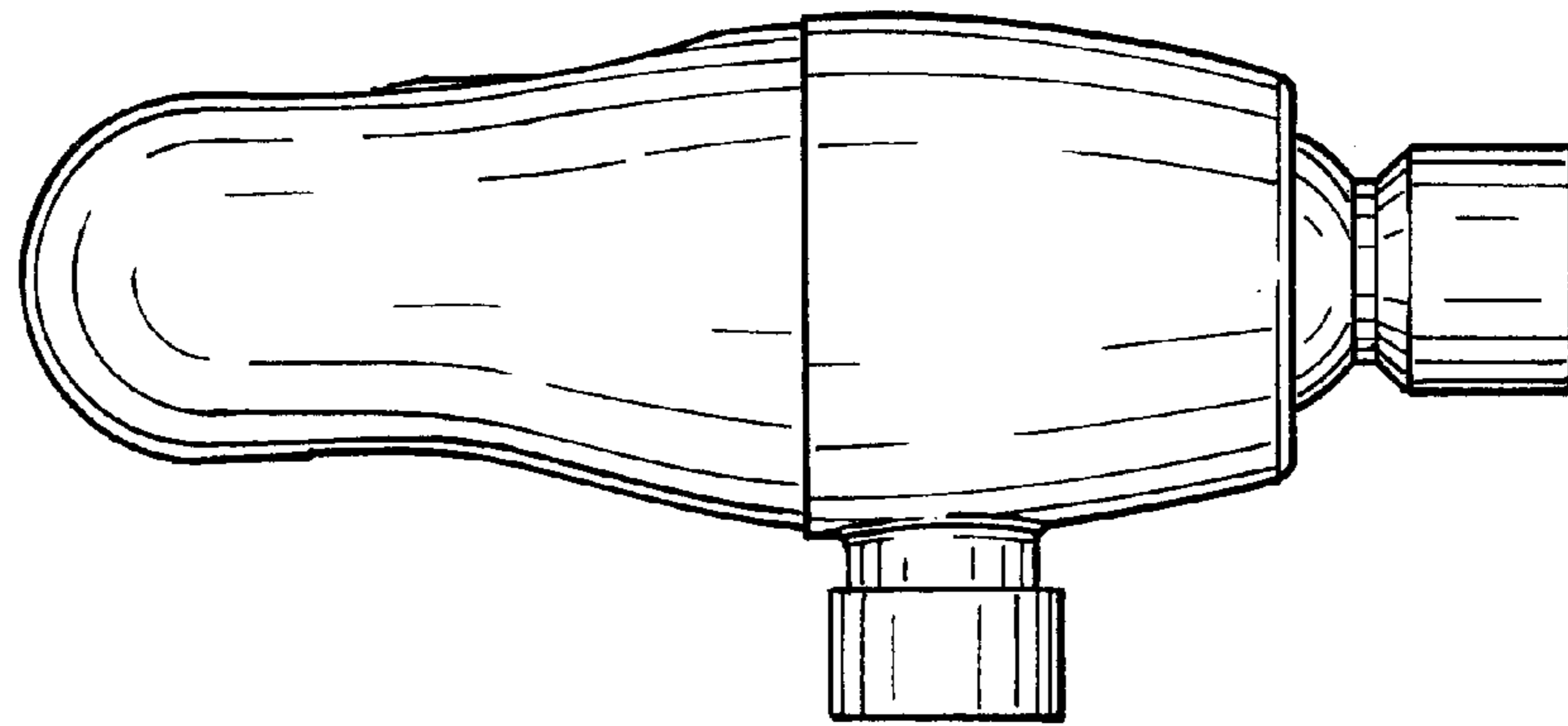


Fig. 5

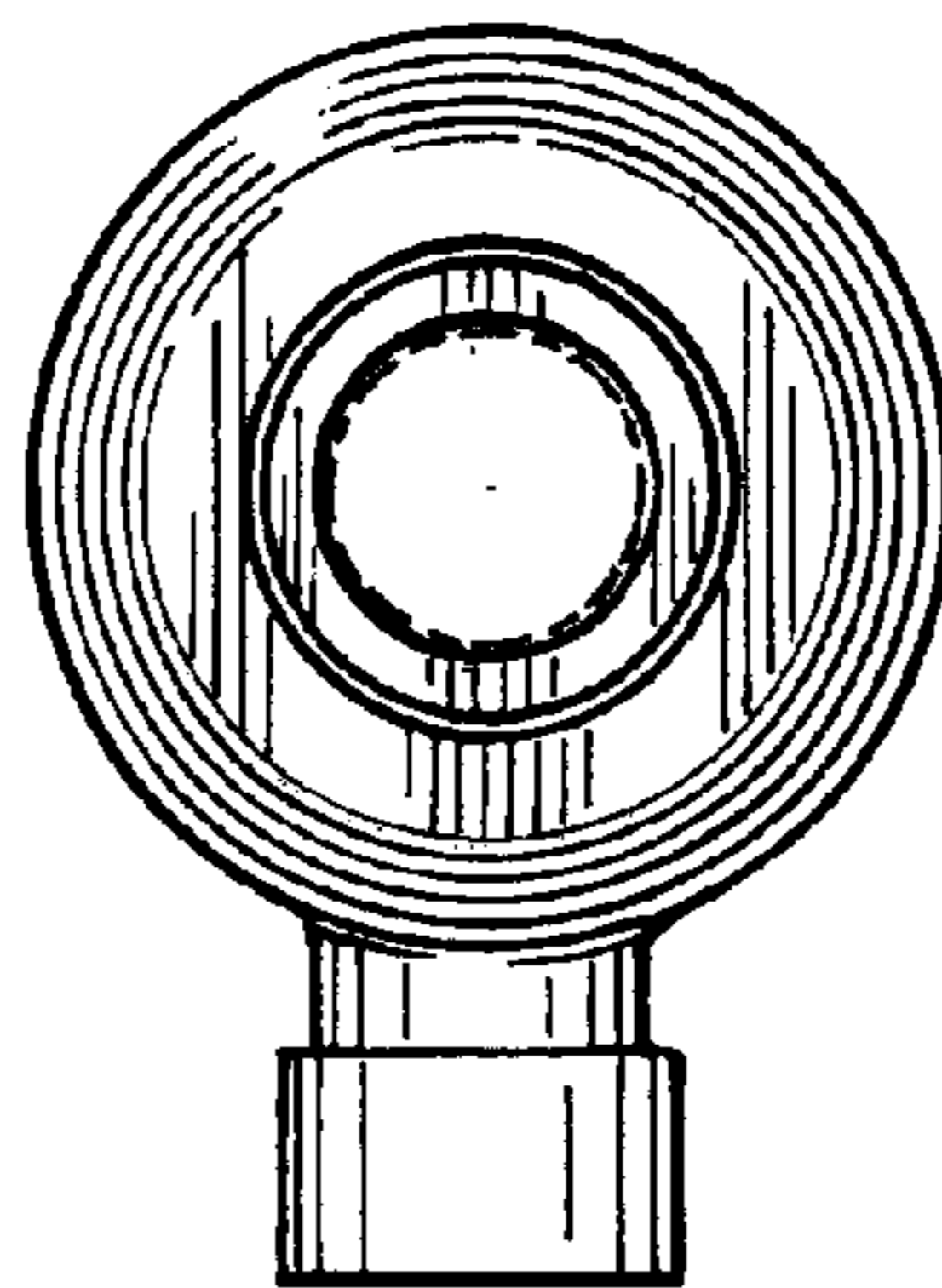


Fig. 6

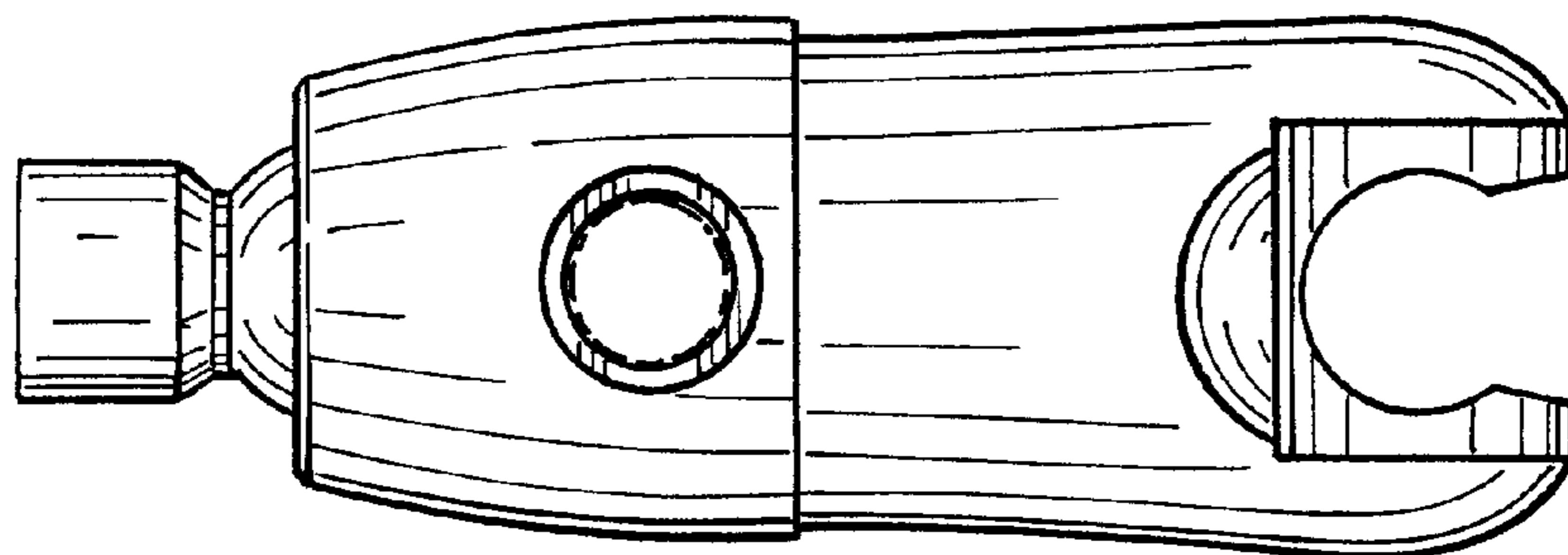


Fig. 7