



US00D517177S

(12) **United States Design Patent**
Blomstrom

(10) **Patent No.:** **US D517,177 S**
(45) **Date of Patent:** **** Mar. 14, 2006**

(54) **SINK**

(75) **Inventor:** **John K. Blomstrom**, Sheboygan Falls, WI (US)

(73) **Assignee:** **Kohler Co.**, Kohler, WI (US)

(**) **Term:** **14 Years**

(21) **Appl. No.:** **29/228,423**

(22) **Filed:** **Apr. 22, 2005**

(51) **LOC (8) Cl.** **23-02**

(52) **U.S. Cl.** **D23/290**

(58) **Field of Classification Search** D23/270-273,
D23/284-286, 292-293.1, 303, 290, 308;
4/662-666, 619, 637-642, 661
See application file for complete search history.

(56) **References Cited**

U.S. PATENT DOCUMENTS

D352,771 S	11/1994	Walsh et al.	
D362,901 S	10/1995	Dannenberg et al.	
D387,418 S	12/1997	Laguera Garza	
D389,230 S	1/1998	Johnson	
D464,410 S	* 10/2002	Paredes et al. D23/290

OTHER PUBLICATIONS

Kohler.com website print-out of K-3371-3 Verse Self-rimming Kitchen Sink, 3-hole, dated Dec. 2, 2004.
Catalog p. 57 from Sterling showing single-basin sink #11404, single-basin sink (new)#14710 and double-basin sink #11400.

Kohler.com website page print-out of K-3231-1 Ravinia Double Basin Kitchen Sink, Single-hole Punching, dated Dec. 3, 2004.

* cited by examiner

Primary Examiner—Robert A. Delehanty

(74) *Attorney, Agent, or Firm*—Quarles & Brady LLP

(57) **CLAIM**

The ornamental design for a sink, as shown and described.

DESCRIPTION

In a preferred embodiment, the nature of this product is as a plumbing fixture primarily useful for washing various objects.

FIG. 1 is a right, top, front perspective view of a sink according to my new design;

FIG. 2 is a top plan view thereof;

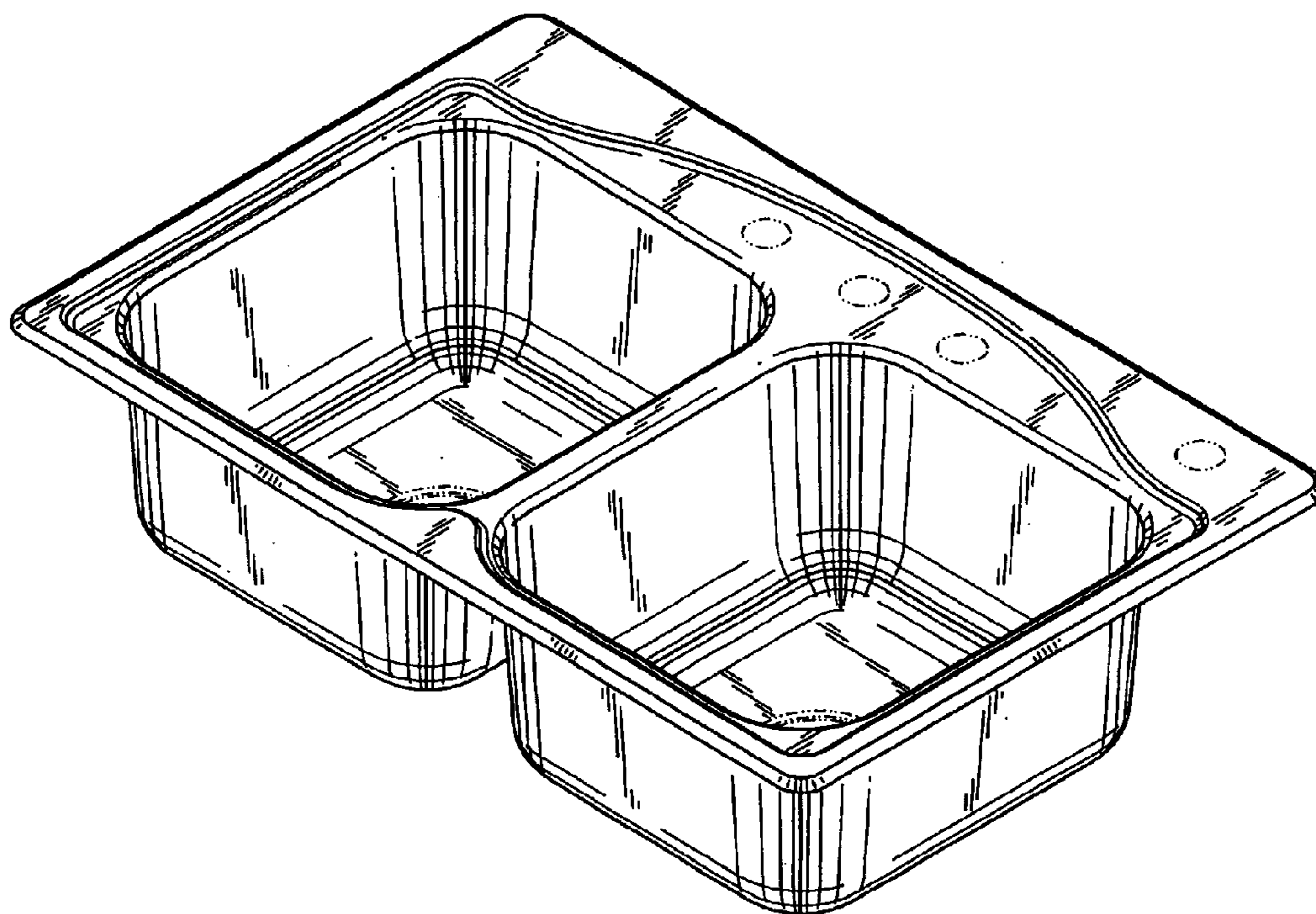
FIG. 3 is a front elevational view thereof, the rear elevational view thereof being a mirror image of the front elevational view shown;

FIG. 4 is a right side elevational view thereof, the left side elevational view being a mirror image of the right side shown; and,

FIG. 5 is a bottom plan view thereof.

The broken line representations of holes in FIGS. 1, 2 and 5, underside structure in FIG. 5, and of drains in the figures are for the purpose of illustration only, and form no part of the claimed design.

1 Claim, 3 Drawing Sheets



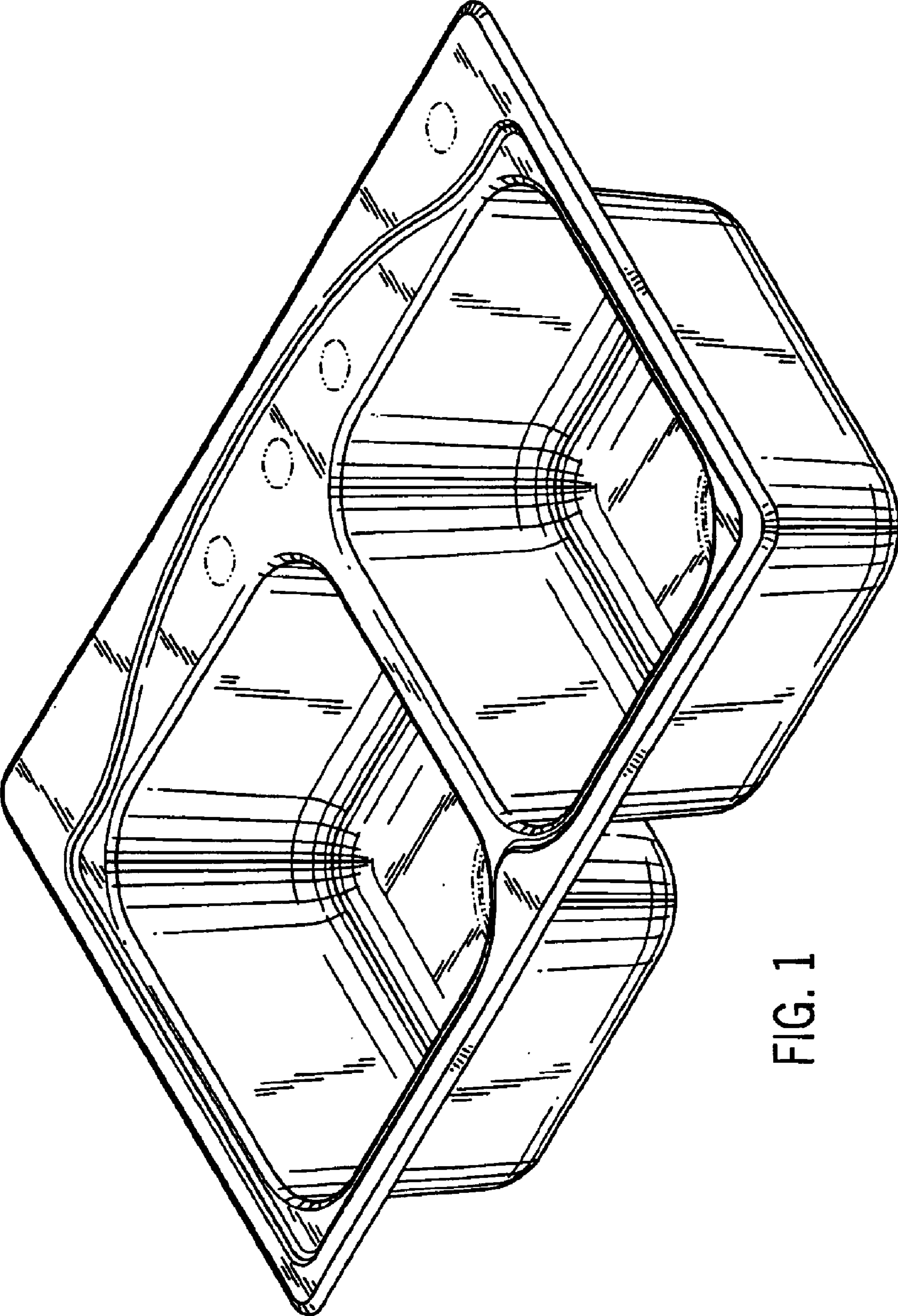


FIG. 1

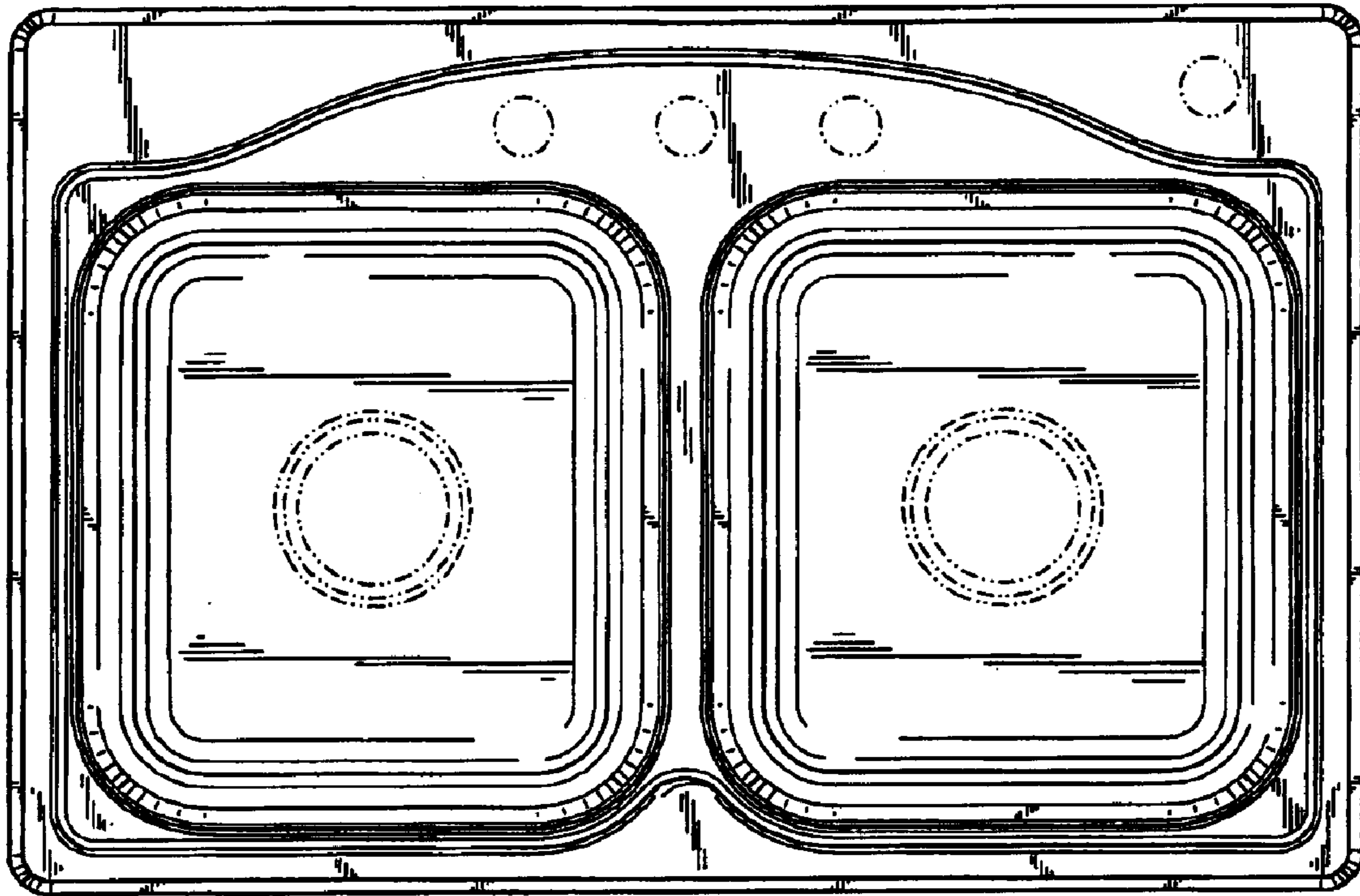


FIG. 2

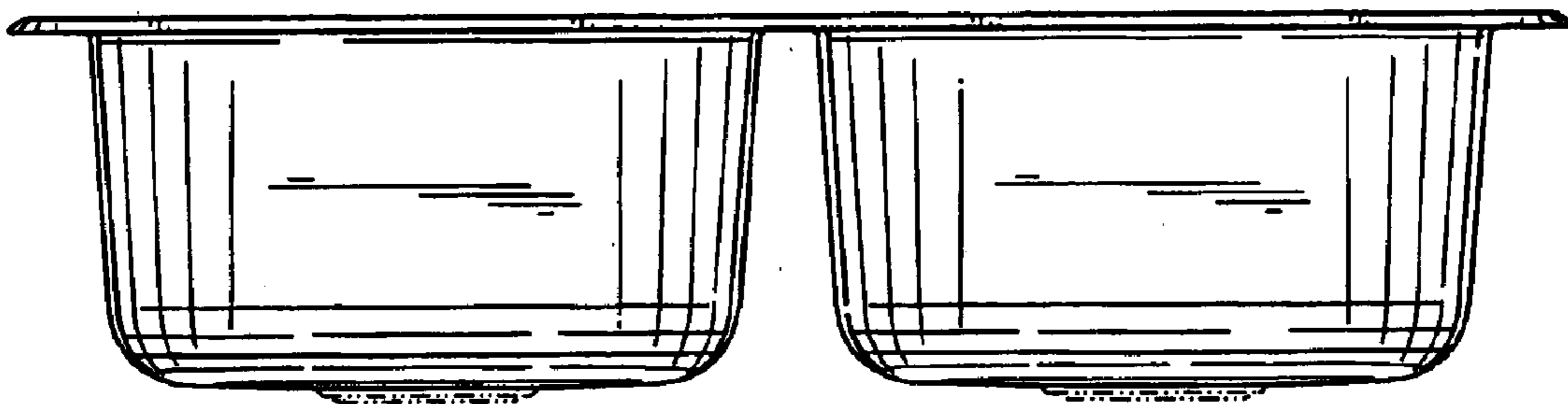


FIG. 3

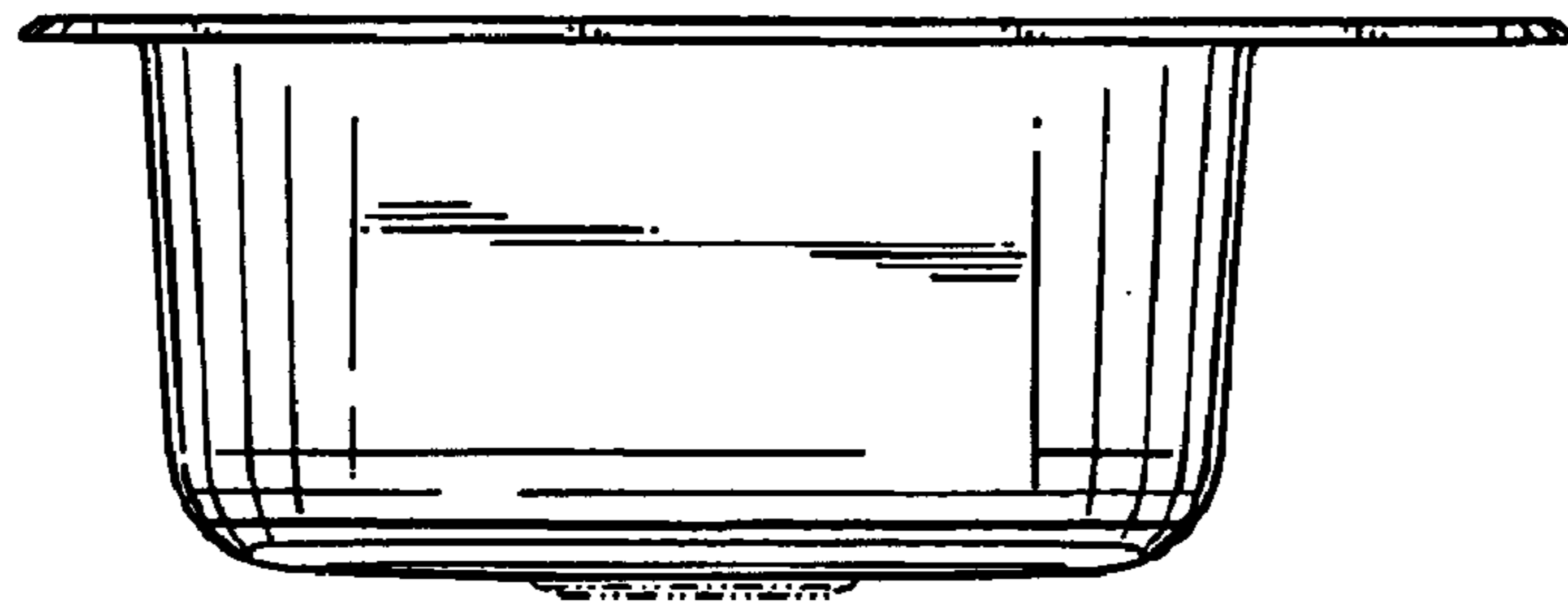


FIG. 4

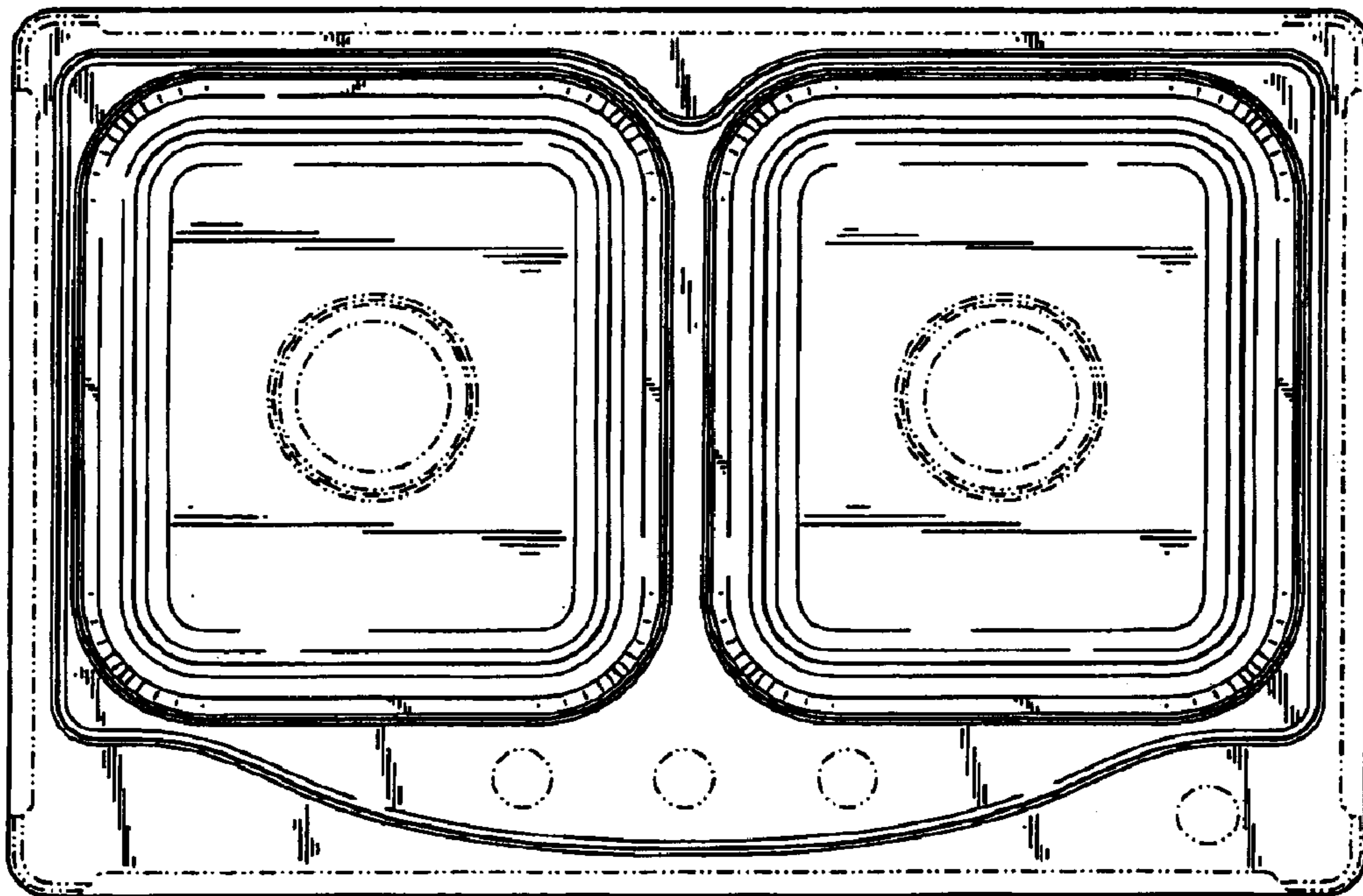


FIG. 5