



US00D517176S

(12) **United States Design Patent** (10) **Patent No.:** **US D517,176 S**
Wilk, Jr. et al. (45) **Date of Patent:** **** Mar. 14, 2006**

(54) **TEE COUPLING**

(75) Inventors: **Charles E. Wilk, Jr.**, Northampton, PA (US); **Anthony J. Cuvo**, Coopersburg, PA (US); **Jianyong Sun**, Macungie, PA (US)

(73) Assignee: **Victaulic Company**, Easton, PA (US)

(**) Term: **14 Years**

(21) Appl. No.: **29/234,679**

(22) Filed: **Jul. 21, 2005**

Related U.S. Application Data

(62) Division of application No. 29/211,753, filed on Aug. 20, 2004.

(51) **LOC (8) Cl.** **23-01**

(52) **U.S. Cl.** **D23/262**

(58) **Field of Classification Search** D23/262,
D23/263, 259; 285/133.11, 133.3, 133.21,
285/133.4–133.6

See application file for complete search history.

(56) **References Cited**

U.S. PATENT DOCUMENTS

922,805 A	5/1909	Nelson et al.	
1,965,273 A	7/1934	Wilson	285/139
2,147,353 A	2/1939	Scholtes	285/84
2,201,372 A	5/1940	Miller	285/115
2,247,032 A	6/1941	Norton	285/321
2,479,960 A	8/1949	Osborn	285/104
2,508,914 A	5/1950	Graham	285/105
2,759,254 A	8/1956	Soehnlén et al.	29/428

(Continued)

FOREIGN PATENT DOCUMENTS

DE	36 31 547	4/1988
DE	297 21 759	5/1998
DE	297 21 760	5/1998
EP	0 922 896	12/1997
JP	9-329284	12/1997

OTHER PUBLICATIONS

IMI Yorkshire Fittings Group Web Page, including Tectite Products and Installation (4 pages; downloaded Mar. 15, 2000).

cuprofit® Push-Fit for the Professionals, copyright 2001 (1 page; downloaded Nov. 21, 2001).

IBP Group Web Site, including cuprofit®, >B<press and DELCOP® Products, all copyrighted 1998 IBP (12 pages total; downloaded Mar. 15, 2000).

(Continued)

Primary Examiner—Robin V. Webster

(74) *Attorney, Agent, or Firm*—Synnestvedt & Lechner LLP

(57) **CLAIM**

The ornamental design for a tee coupling, as shown and described.

DESCRIPTION

FIG. 1 is a perspective view of a first embodiment of our design for a tee coupling;

FIG. 2 is a left side view of the tee coupling shown in FIG. 1, the right side being shown in perspective in FIG. 1;

FIG. 3 is an end view of the tee coupling shown in FIG. 1, the opposite end view being identical;

FIG. 4 is a bottom view of the tee coupling shown in FIG. 1;

FIG. 5 is a top view of the tee coupling shown in FIG. 1;

FIG. 6 is a perspective view of a second embodiment of our design for a tee coupling;

FIG. 7 is a left side view of the tee coupling shown in FIG. 6, the right side being shown in perspective in FIG. 6;

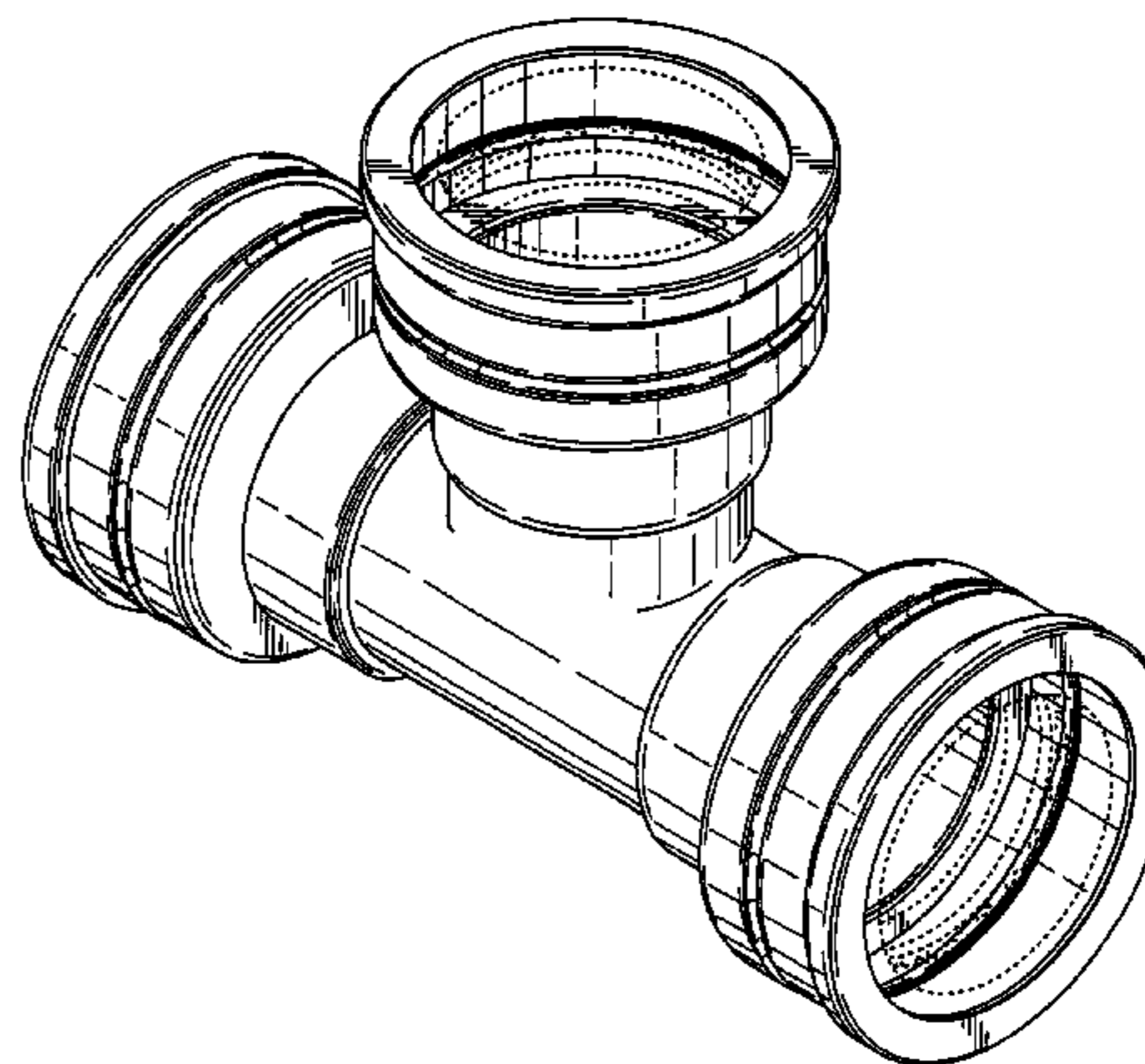
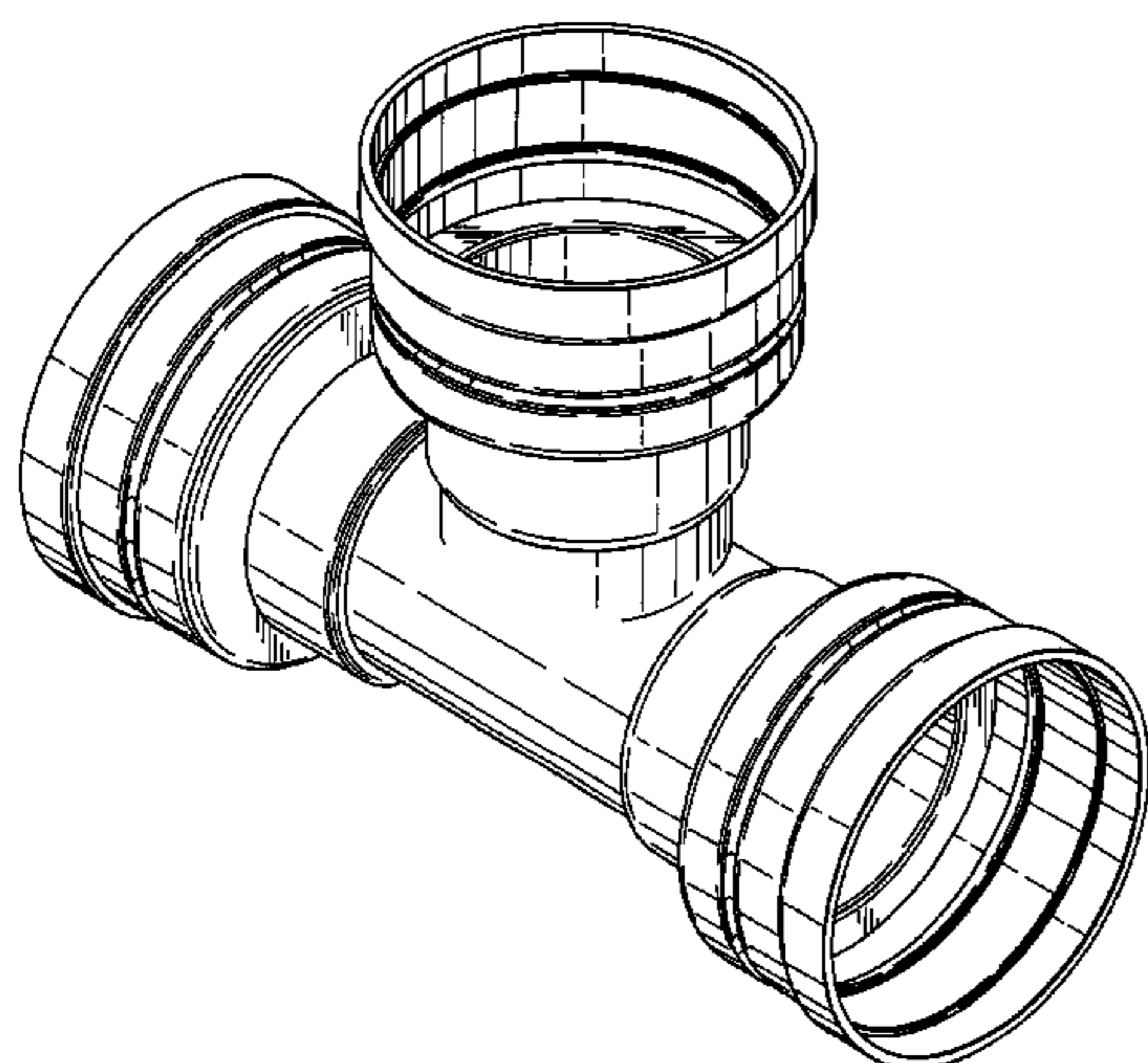
FIG. 8 is an end view of the tee coupling shown in FIG. 6, the opposite end view being identical;

FIG. 9 is a bottom view of the tee coupling shown in FIG. 6; and,

FIG. 10 is a top view of the tee coupling shown in FIG. 6.

The broken lines shown in FIGS. 6, 8 and 10 are for illustrative purposes only and form no part of the claimed design.

1 Claim, 4 Drawing Sheets



U.S. PATENT DOCUMENTS

2,779,610 A	1/1957	Risley	285/369	5,792,990 A	8/1998	Piero	174/86
3,007,726 A	11/1961	Parkin	287/53	5,816,627 A	10/1998	Readman	285/340
3,058,762 A	10/1962	Howe	285/340	5,857,718 A	1/1999	Kleinschmidt	285/305
3,268,244 A	8/1966	Kotelly et al.	285/235	5,988,705 A	11/1999	Norkey	285/319
3,312,483 A	4/1967	Leadbetter et al.	285/340	6,058,755 A	5/2000	Viegner	72/292
3,312,484 A	4/1967	Davenport	285/340	D427,668 S	7/2000	Stout, Jr.	D23/262
3,483,789 A	12/1969	Wurzel	85/8.8	6,106,031 A	8/2000	Guginsky	285/369
3,582,112 A	6/1971	Pico	285/96	D430,482 S	9/2000	Stout, Jr.	D8/382
D234,847 S	4/1975	Hoffman	D23/262	6,186,561 B1	2/2001	Kaishio et al.	285/319
3,924,877 A	12/1975	Leopold et al.	285/340	6,450,550 B1	9/2002	Cornwell	285/340
3,976,314 A	8/1976	Graham	285/238	6,464,266 B1	10/2002	O'Neill et al.	285/240
3,995,897 A	12/1976	Paskert	285/340	6,499,771 B1	12/2002	Snyder, Sr. et al.	285/319
4,047,743 A	9/1977	Weintraub et al.	285/340	6,517,124 B1	2/2003	LeQuere	285/340
4,072,328 A	2/1978	Elliott	285/169	D480,786 S	10/2003	Wilk, Jr. et al.	D23/263
4,073,514 A	2/1978	Pate	285/127	D480,787 S	10/2003	Wilk, Jr. et al.	D23/263
4,146,252 A	3/1979	Buda	285/308	D481,109 S	10/2003	Dole et al.	D23/263
4,146,254 A	3/1979	Turner et al.	285/105	D481,110 S	10/2003	Snyder, Sr. et al.	D23/263
4,586,734 A	5/1986	Grenier	285/340	D481,447 S	10/2003	Dole et al.	D23/263
4,593,943 A	6/1986	Hama et al.	285/308	D482,103 S	11/2003	Snyder, Sr. et al.	D23/263
4,610,468 A	9/1986	Wood	285/81	D483,094 S	12/2003	Wilk, Jr. et al.	D23/262
4,613,172 A	9/1986	Schattmaier	285/340	D483,095 S	12/2003	Snyder, Sr. et al.	D23/262
4,635,975 A	1/1987	Campbell	285/340	D483,441 S	12/2003	Dole et al.	D23/262
4,676,533 A	6/1987	Gerondale	285/158	D493,214 S	7/2004	Snyder, Sr. et al.	D23/262
D291,482 S	8/1987	Vassallo et al.	D23/262	D493,512 S	7/2004	Dole et al.	D23/262
4,744,412 A	5/1988	Kim et al.	165/70	D495,404 S	8/2004	Wilk, Jr. et al.	D23/262
4,747,626 A	5/1988	Hama et al.	285/308	2002/0135184 A1	9/2002	Snyder, Sr. et al.	
4,749,214 A	6/1988	Hoskins et al.	285/379	2002/0185868 A1	12/2002	Snyder, Sr. et al.	
4,842,306 A	6/1989	Zeidler et al.	285/104	2003/0067170 A1	4/2003	Snyder, Sr. et al.	
4,911,406 A	3/1990	Attwood	251/148	2003/0071460 A1	4/2003	Snyder, Sr. et al.	
4,919,457 A	4/1990	Moretti	285/39				
5,029,908 A	7/1991	Belisaire	285/323				
5,039,141 A	8/1991	Badoureaux	285/340				
5,160,175 A	11/1992	Yang	285/104				
5,160,179 A	11/1992	Takagi	285/340				
5,284,582 A	2/1994	Yang	210/232				
5,295,697 A	3/1994	Weber et al.	277/181				
5,351,999 A	10/1994	Hattori	285/404				
5,603,530 A	2/1997	Guest	285/105				
5,695,224 A	12/1997	Grenier	285/104				
D389,562 S	* 1/1998	Picton	D23/263				

OTHER PUBLICATIONS

U.S. Appl. No. 10/869,758, filed Jun. 16, 2004, entitled *Mechanical Pipe Coupling Derived from a Standard Fitting* (Wilk Jr. et al); projected publication date Nov. 11, 2004 (now Published U.S. Appl. No. 2004/0239115, Dec. 2, 2004).

German catalog entitled "*isiflow UNIVERSAL*" (3 pages), by Raufoss Metall GmbH, dated Feb. 1990.

* cited by examiner

FIG. 1

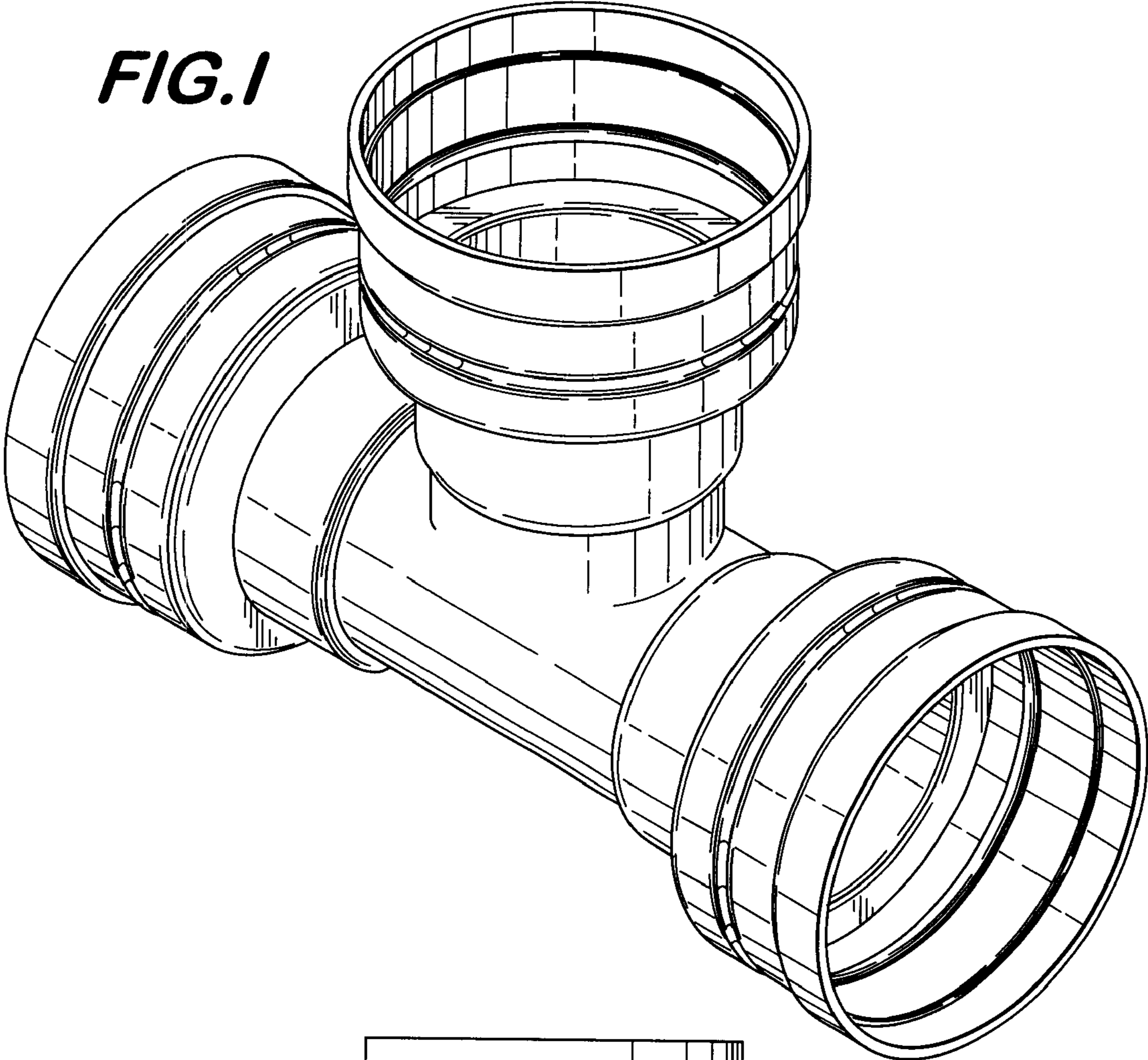


FIG. 2

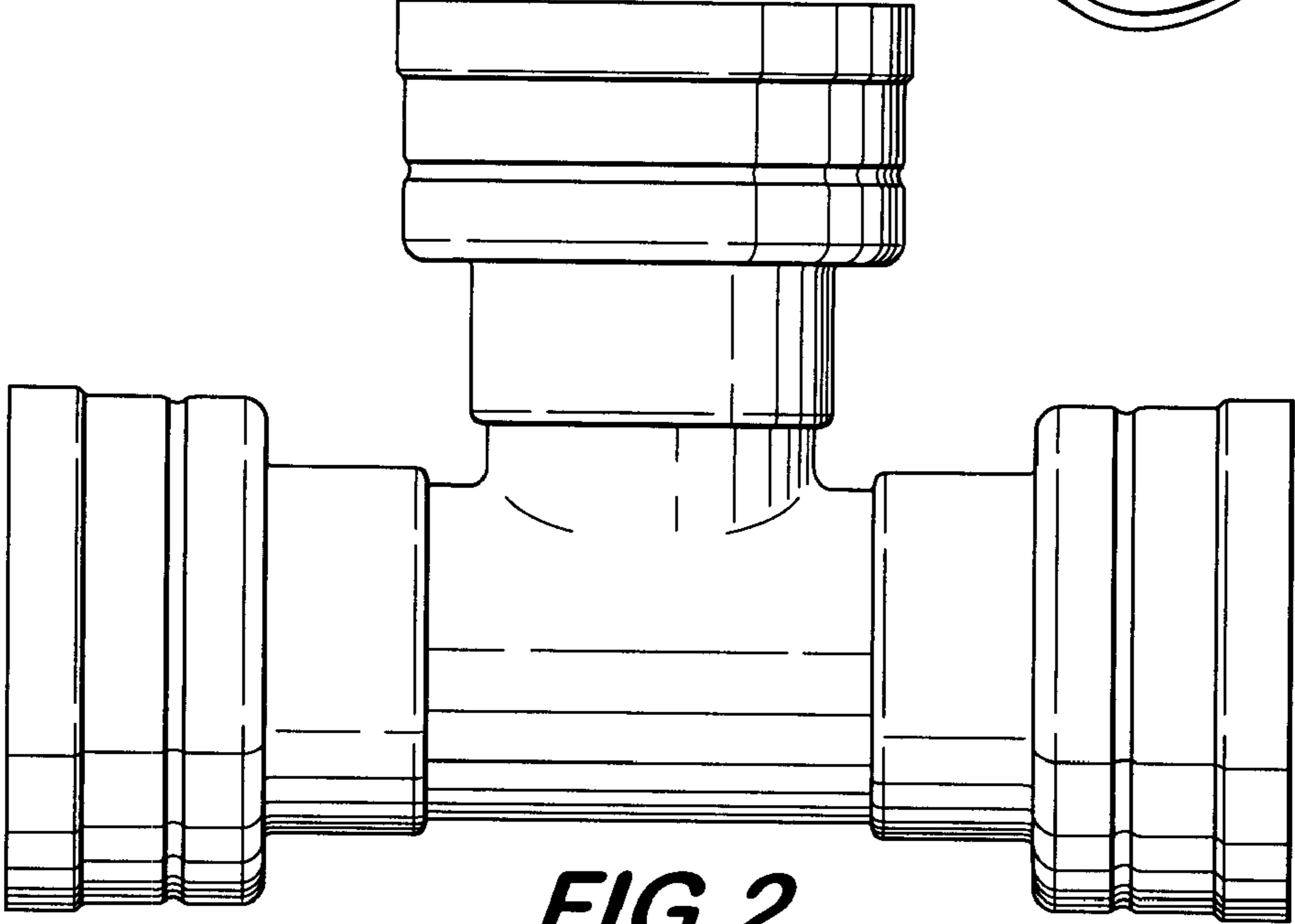


FIG. 3

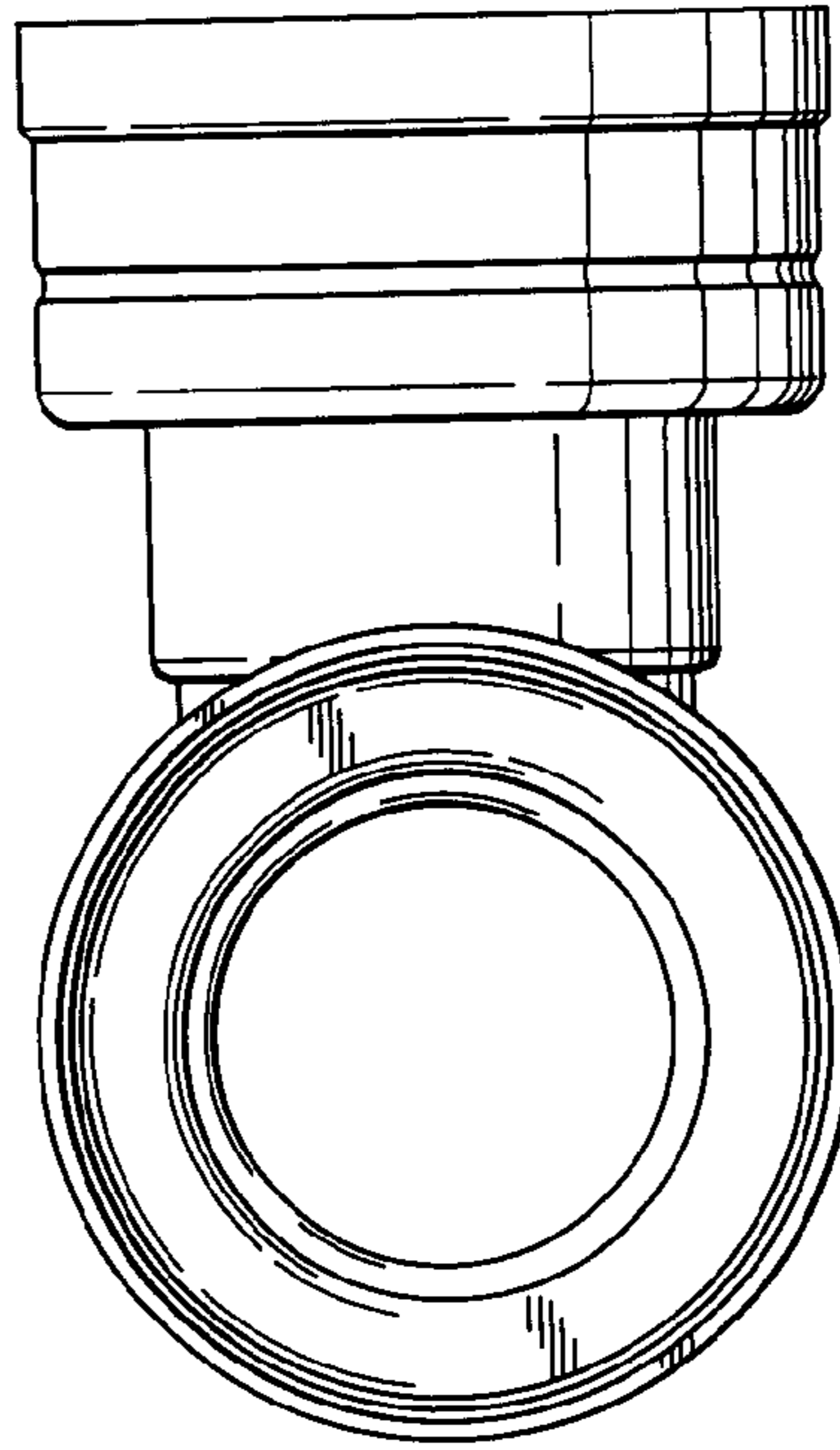


FIG. 4

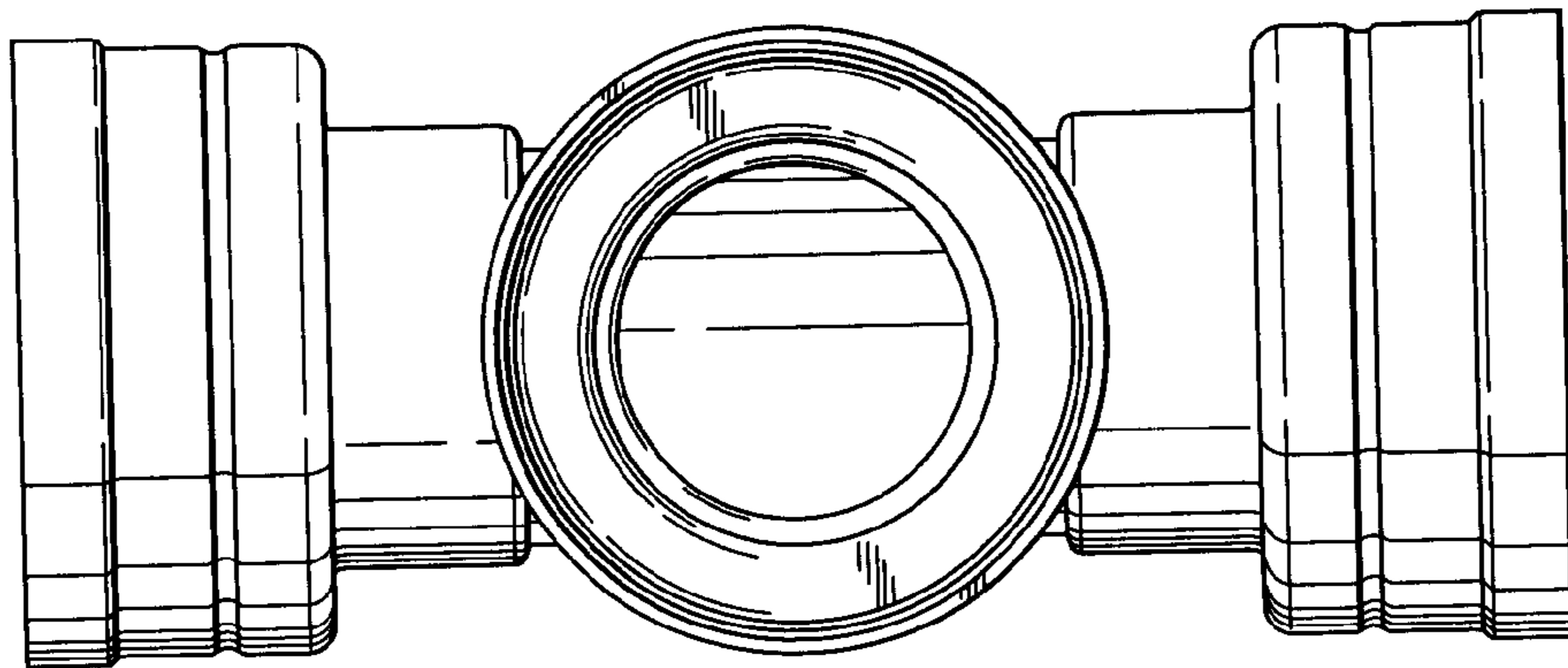
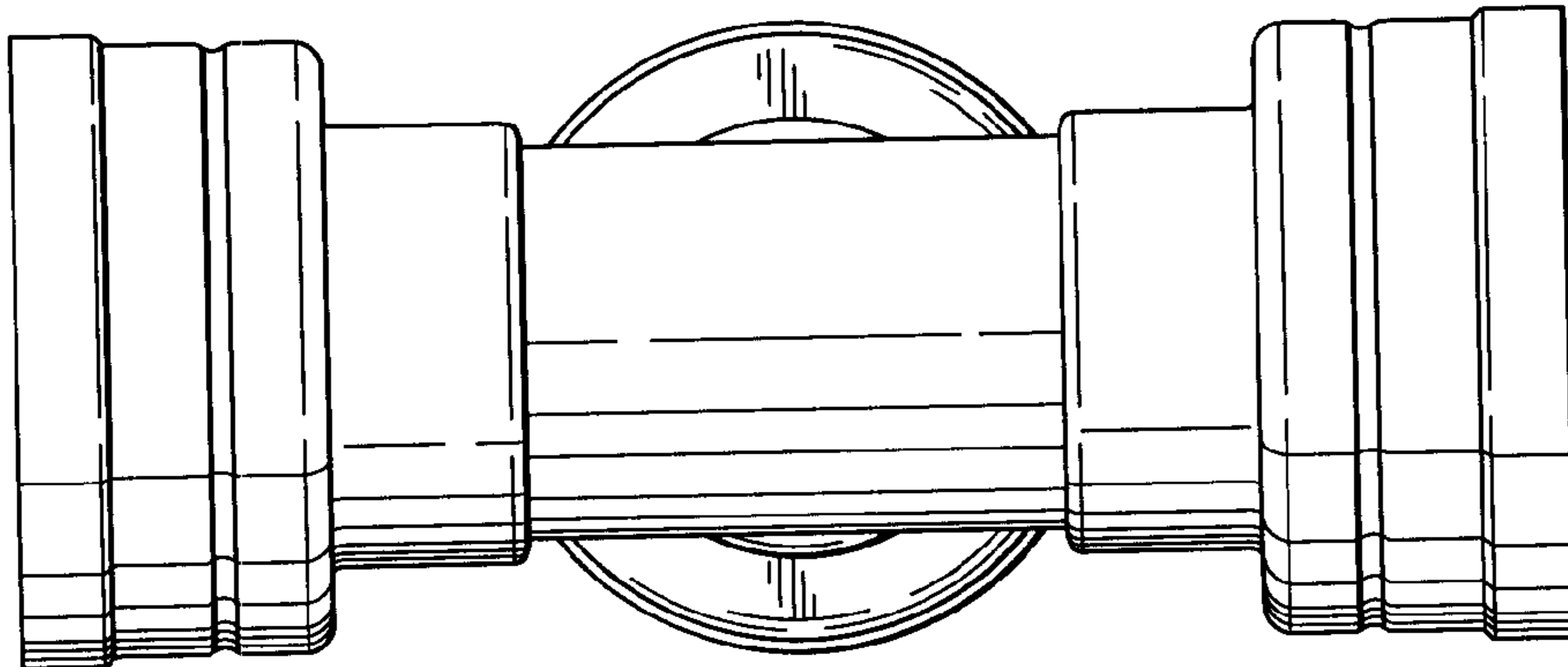


FIG. 5

FIG. 6

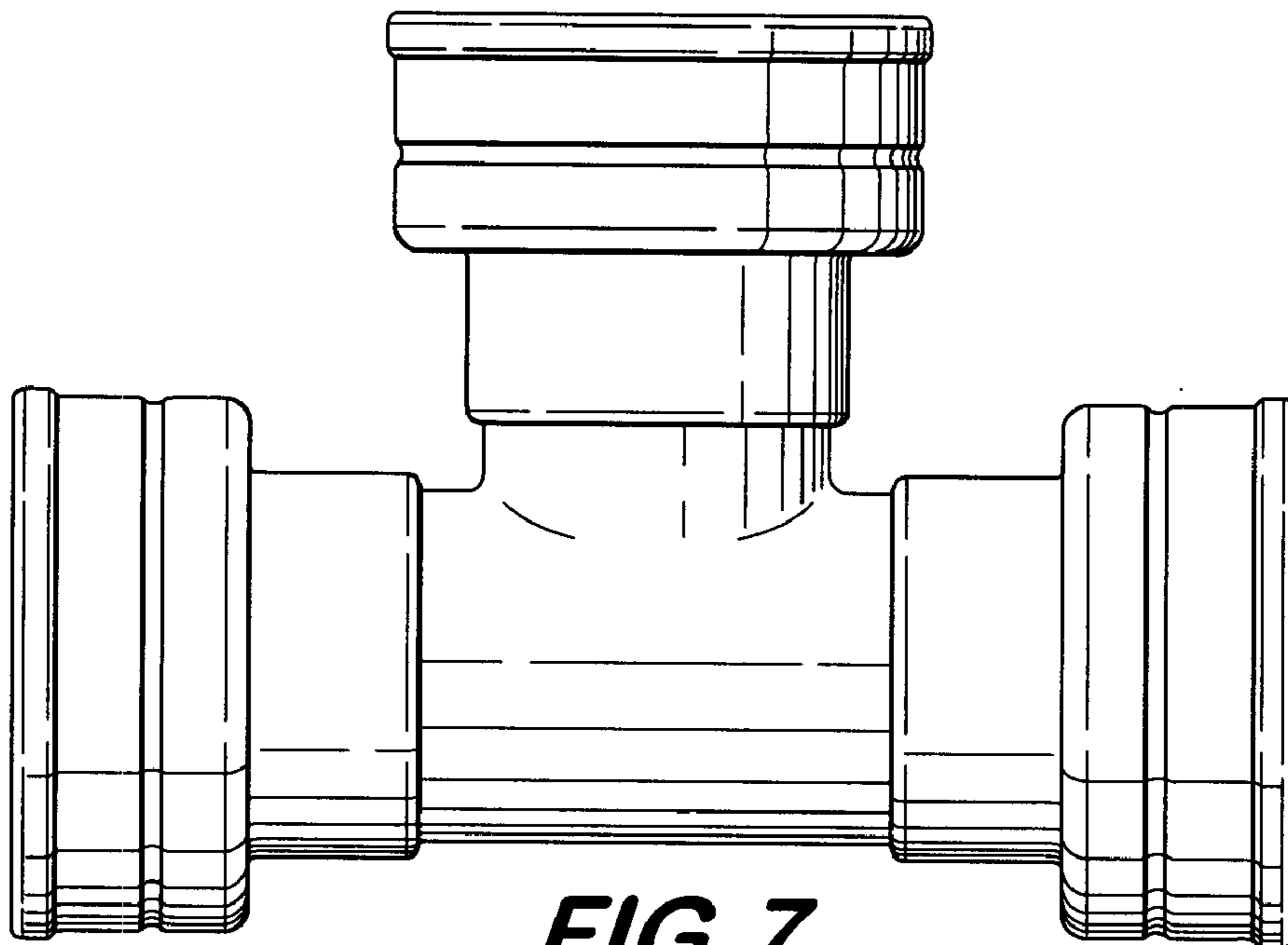
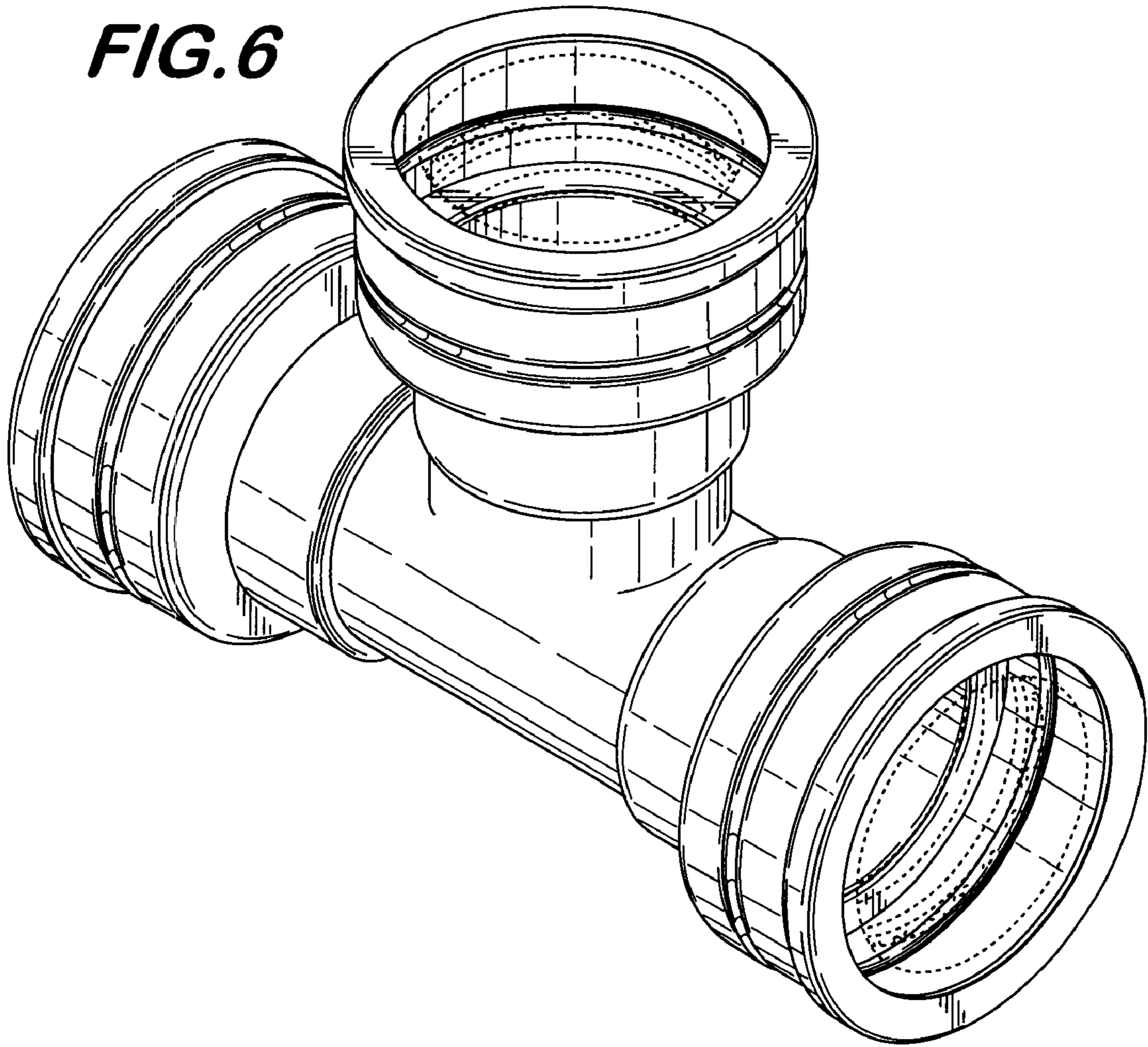


FIG. 7

FIG. 8

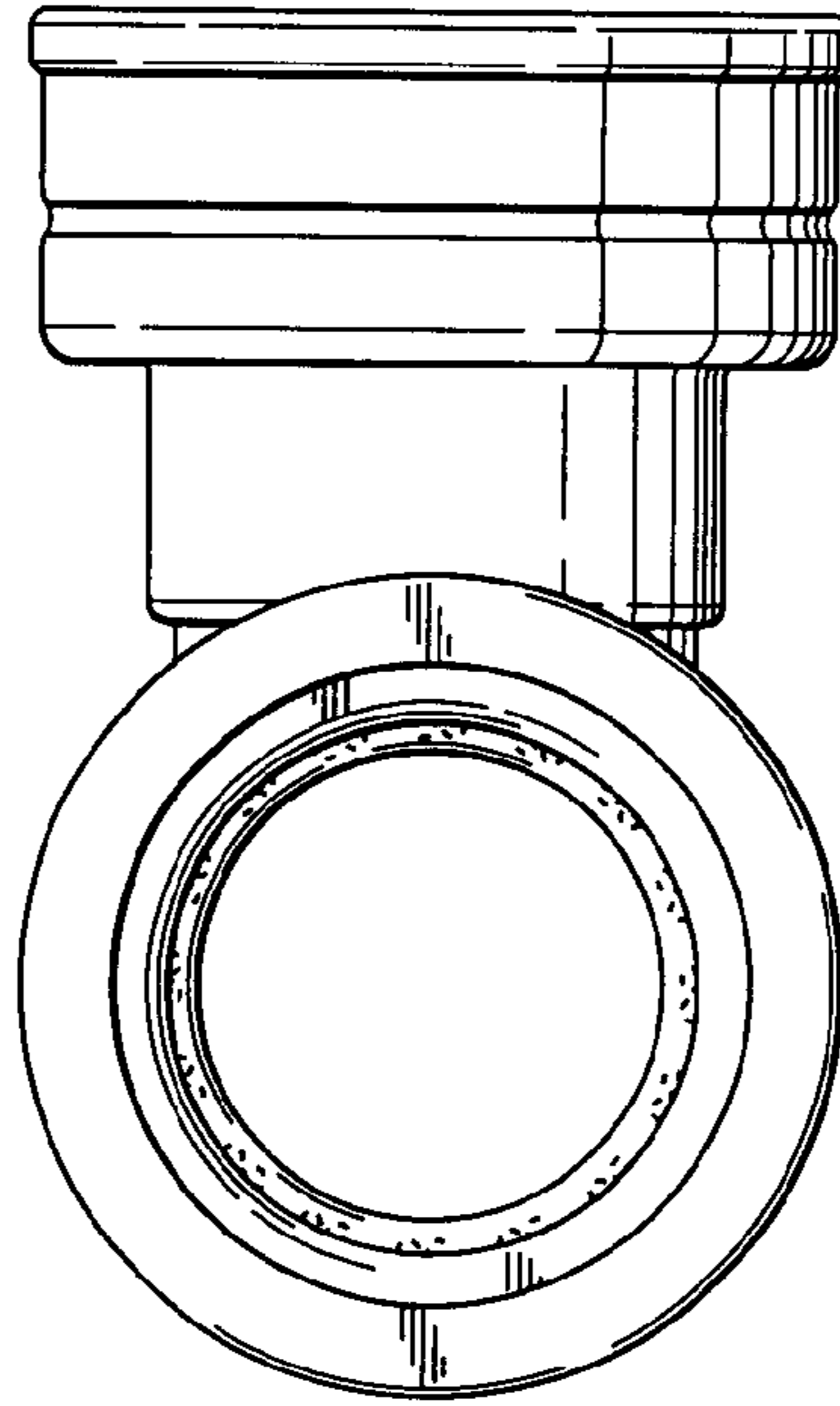


FIG. 9

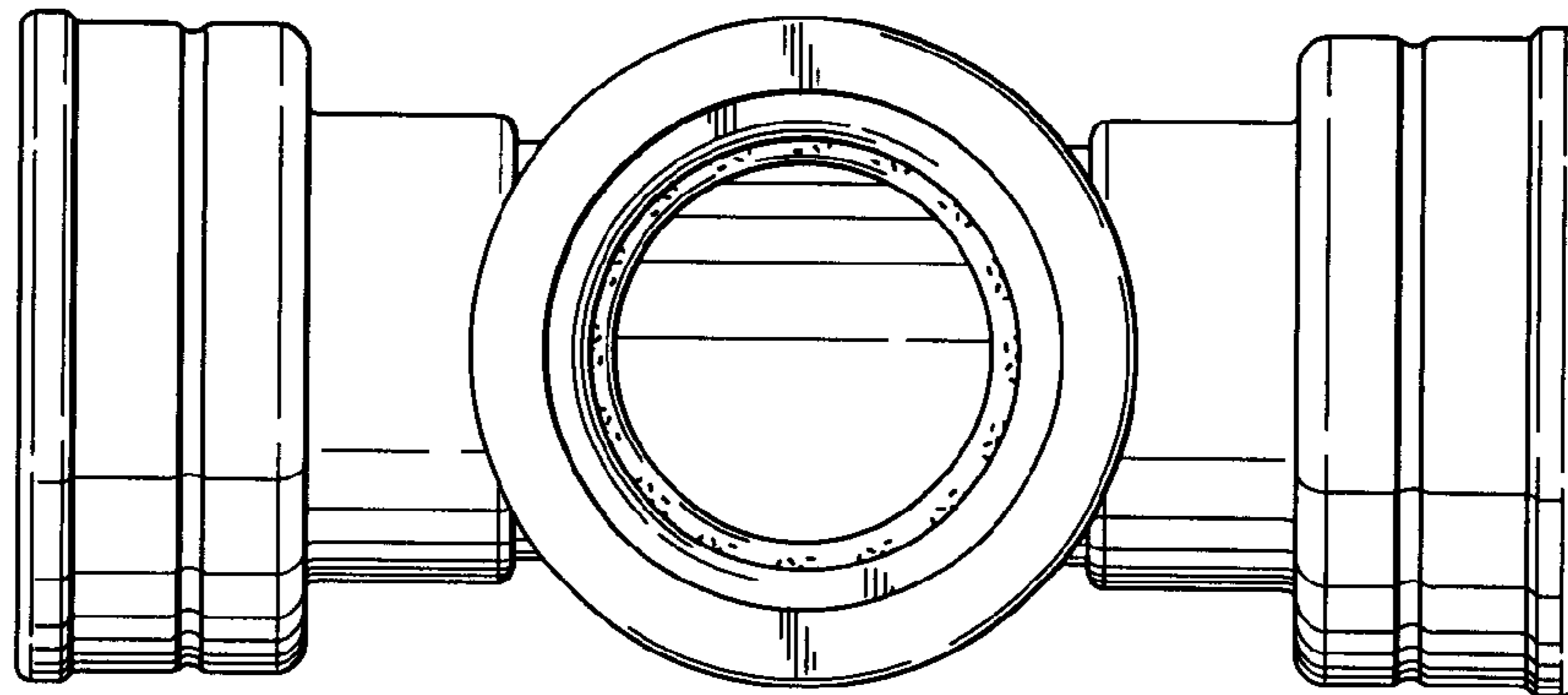
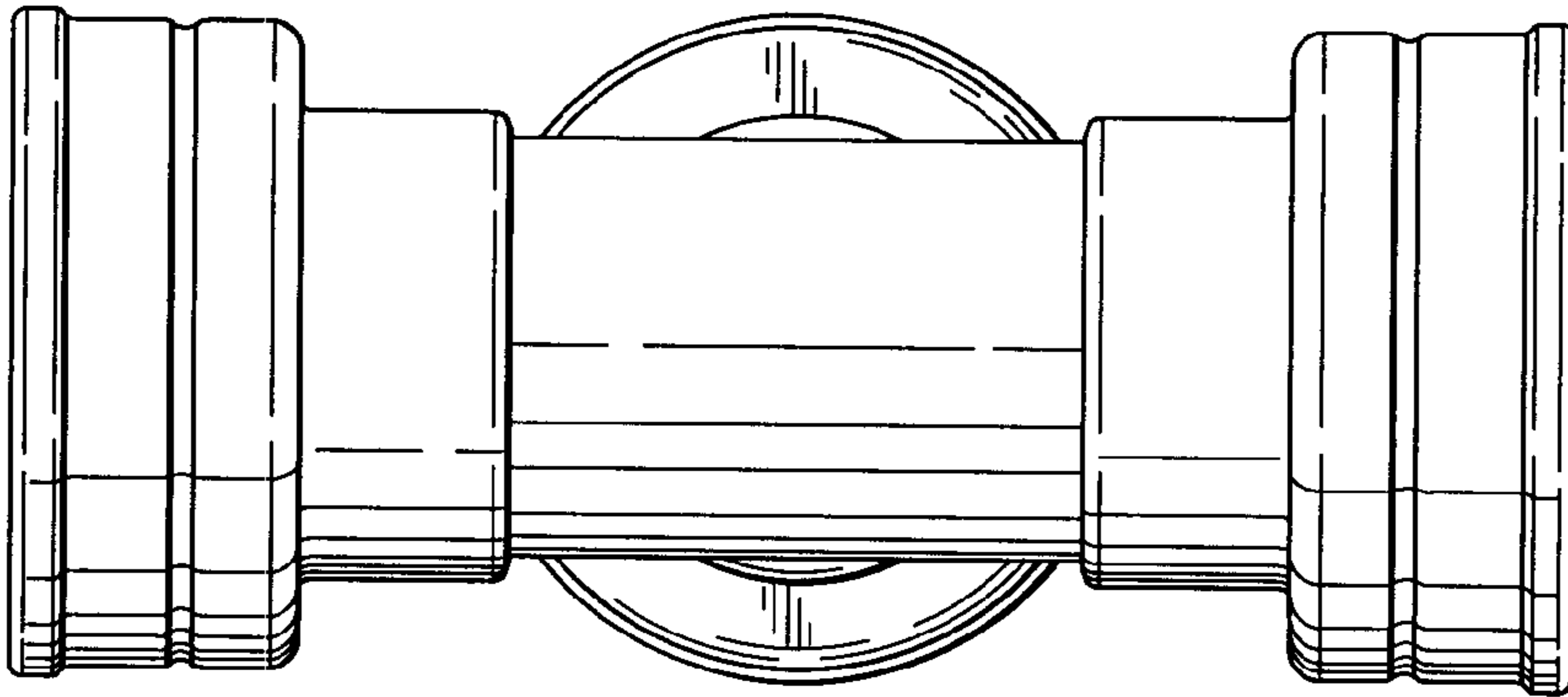


FIG. 10