



US00D517172S

(12) **United States Design Patent** (10) **Patent No.:** **US D517,172 S**
Tripp et al. (45) **Date of Patent:** **** Mar. 14, 2006**

(54) **SILLCOCK VALVE**

(75) Inventors: **Robert Tripp**, Riverside, IL (US);
Peter Berkman, Highland Park, IL (US)

(73) Assignee: **B & K Industries**, Elk Grove Village, IL (US)

(**) Term: **14 Years**

(21) Appl. No.: **29/217,658**

(22) Filed: **Nov. 19, 2004**

Related U.S. Application Data

(62) Division of application No. 29/195,135, filed on Dec. 5, 2003, now Pat. No. Des. 499,172, which is a division of application No. 29/163,336, filed on Jul. 1, 2002, now Pat. No. Des. 486,204.

(51) **LOC (8) Cl.** **23-01**

(52) **U.S. Cl.** **D23/245**

(58) **Field of Classification Search** D23/233-237,
D23/244-245, 249; 251/309-310, 315, 1,
251/315.1, 315.14, 315.15

See application file for complete search history.

(56) **References Cited**

U.S. PATENT DOCUMENTS

D234,200 S 1/1975 Buechler
D237,968 S 12/1975 Olson, Jr.

(Continued)

Primary Examiner—Caron D. Veynar

Assistant Examiner—Maurice Stevens

(74) *Attorney, Agent, or Firm*—Katten Muchin Rosenman LLP; John S. Paniaguas

(57) **CLAIM**

The ornamental design for a sillcock valve, as shown and described.

DESCRIPTION

FIG. 1 is a perspective view of a first embodiment of a sillcock valve in accordance with the present invention;

FIG. 2 is a front elevational view of the sillcock valve shown in FIG. 1;

FIG. 3 is a left side elevational view of the sillcock valve shown in FIG. 1, the right side elevational view is a mirror image thereof;

FIG. 4 is a rear elevational view of the sillcock valve shown in FIG. 1;

FIG. 5 is a top plan view of the sillcock valve shown in FIG. 1;

FIG. 6 is a bottom plan view of the sillcock valve shown in FIG. 1;

FIG. 7 is a perspective view of a second embodiment of a sillcock valve in accordance with the present invention;

FIG. 8 is a front elevational view of the sillcock valve shown in FIG. 7;

FIG. 9 is a left side elevational view of the sillcock valve shown in FIG. 7, the right side elevational view is a mirror image thereof;

FIG. 10 is a rear elevational view of the sillcock valve shown in FIG. 7;

FIG. 11 is a top plan view of the sillcock valve shown in FIG. 7;

FIG. 12 is a bottom plan view of the sillcock valve shown in FIG. 7;

FIG. 13 is a perspective view of a third embodiment of a sillcock valve in accordance with the present invention;

FIG. 14 is a front elevational view of the sillcock valve shown in FIG. 13;

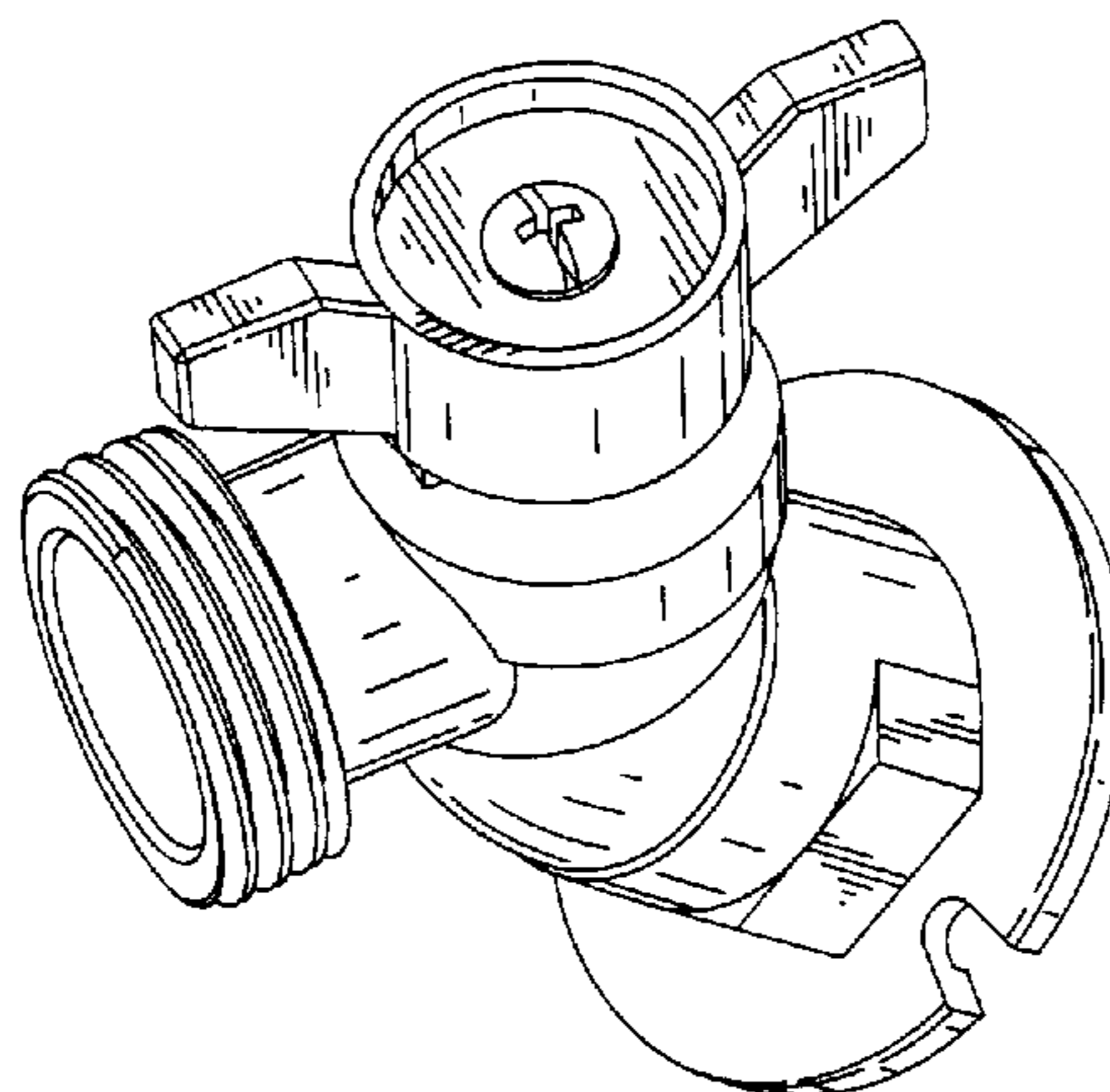
FIG. 15 is a left side elevational view of the sillcock valve shown in FIG. 13, the right side elevational view is a mirror image thereof;

FIG. 16 is an end view of the sillcock valve shown in FIG. 13;

FIG. 17 is a top plan view of the sillcock valve shown in FIG. 13; and,

FIG. 18 is a bottom plan view of the sillcock valve shown in FIG. 13.

1 Claim, 6 Drawing Sheets



US D517,172 S

Page 2

U.S. PATENT DOCUMENTS

D297,254 S	8/1988	Odate et al.	D411,872 S	*	7/1999	Mirth et al.	D23/249
D304,490 S	11/1989	Hengesbach	D412,561 S		8/1999	Voo	
D312,121 S	11/1990	Wozniak et al.	D429,518 S		8/2000	Ferrer Beltran	
D318,319 S	7/1991	Rokita	D429,519 S		8/2000	Ferrer Beltran	
D321,928 S	11/1991	Milo	D429,520 S		8/2000	Ferrer Beltran	
D328,945 S	8/1992	Aarthun et al.	D430,272 S	*	8/2000	Hung-Lin	D23/245
D359,102 S	6/1995	Bouc et al.	D430,922 S	*	9/2000	Hung-Lin	D23/245
D372,073 S	7/1996	Ozaki et al.	D431,068 S		9/2000	Beaver et al.	
D385,010 S	10/1997	Hennessy	D438,595 S		3/2001	Ferrer Beltran	
D396,524 S	7/1998	Patrick et al.	D455,818 S	*	4/2002	Naoyuki	D23/245
D400,970 S	11/1998	Voo	D477,655 S	*	7/2003	Paine	D23/245
D411,870 S	7/1999	Humber	D500,123 S	*	12/2004	Pelletz	D23/245

* cited by examiner

Figure 1

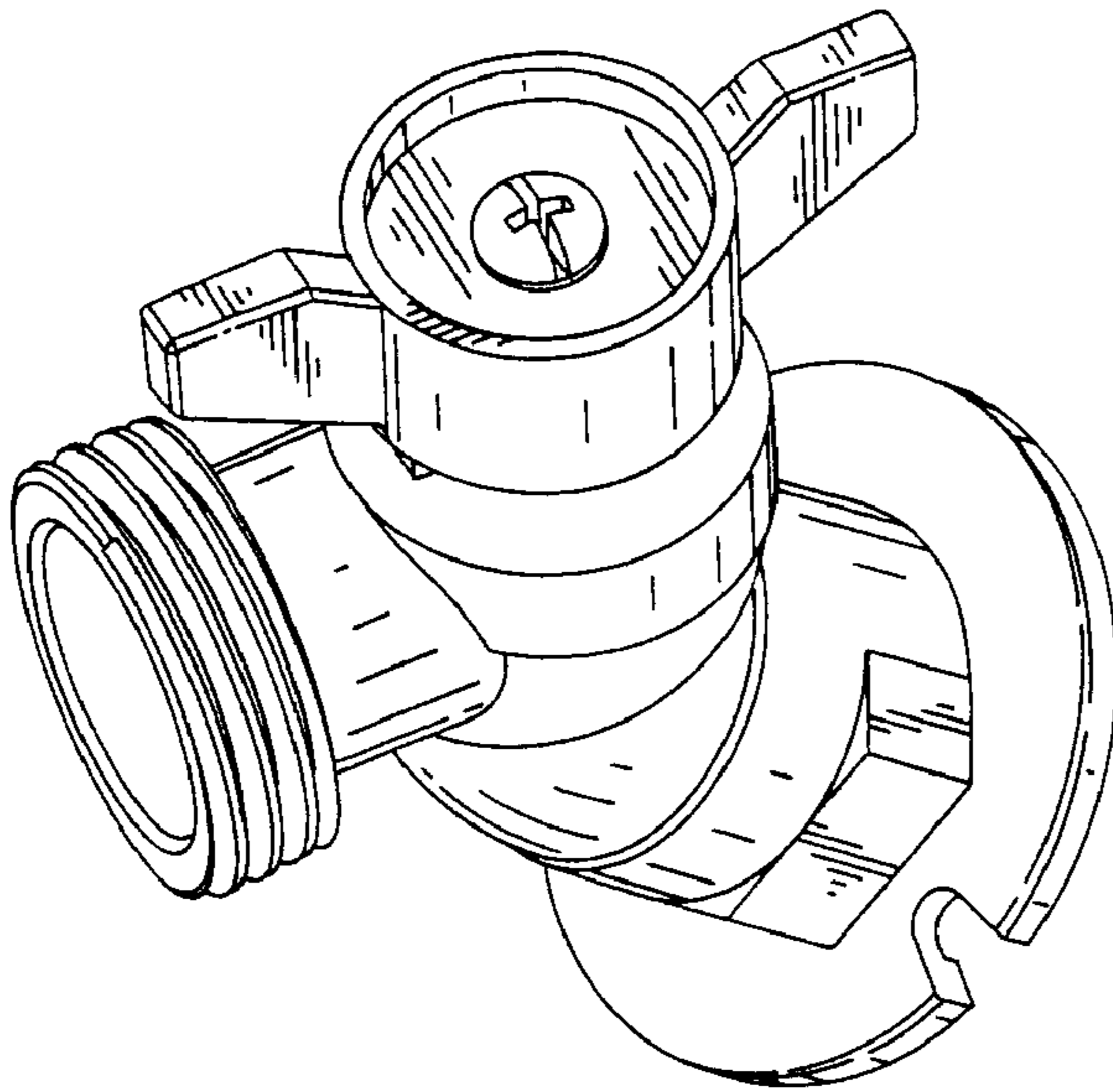


Figure 2

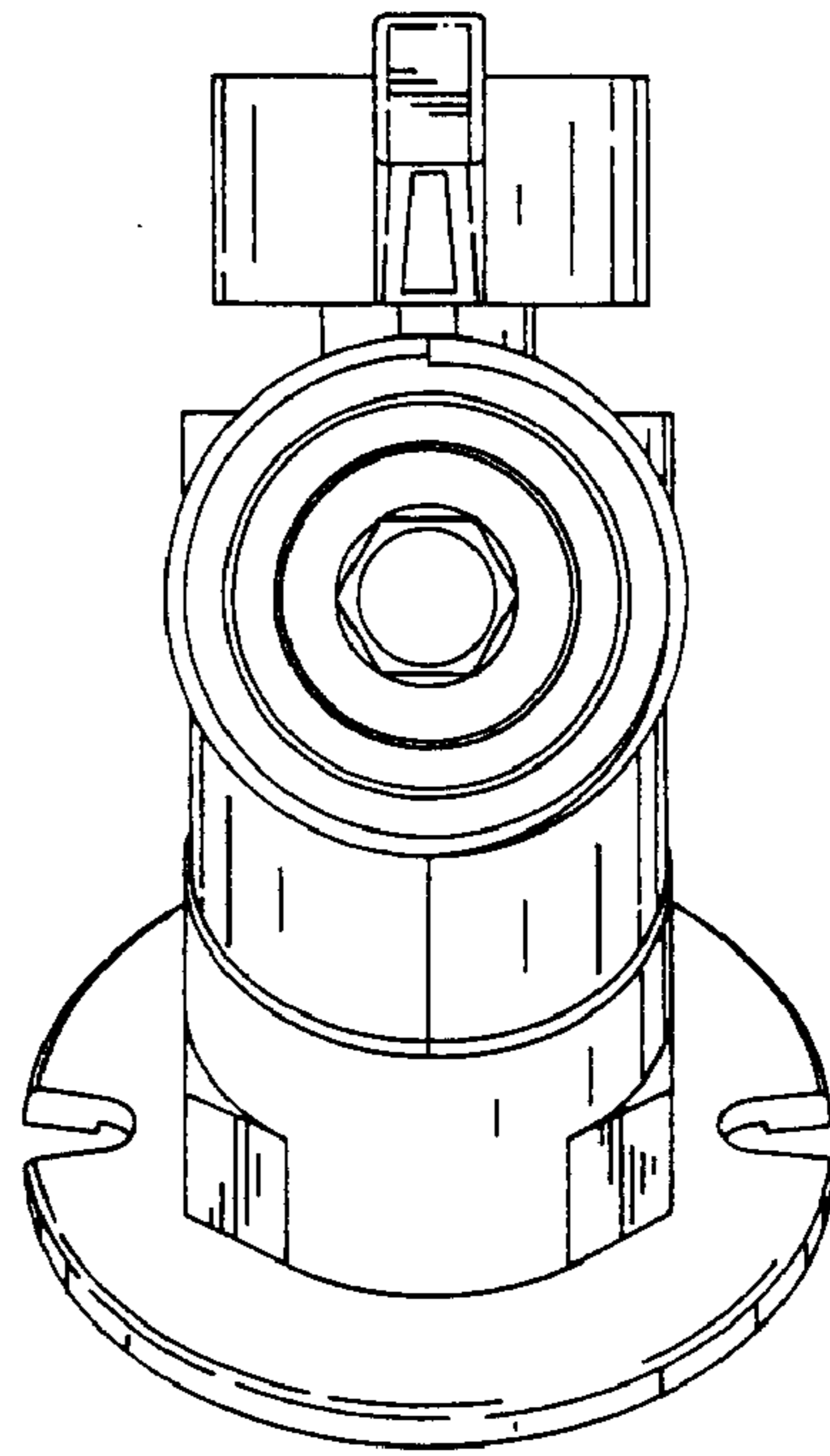


Figure 3

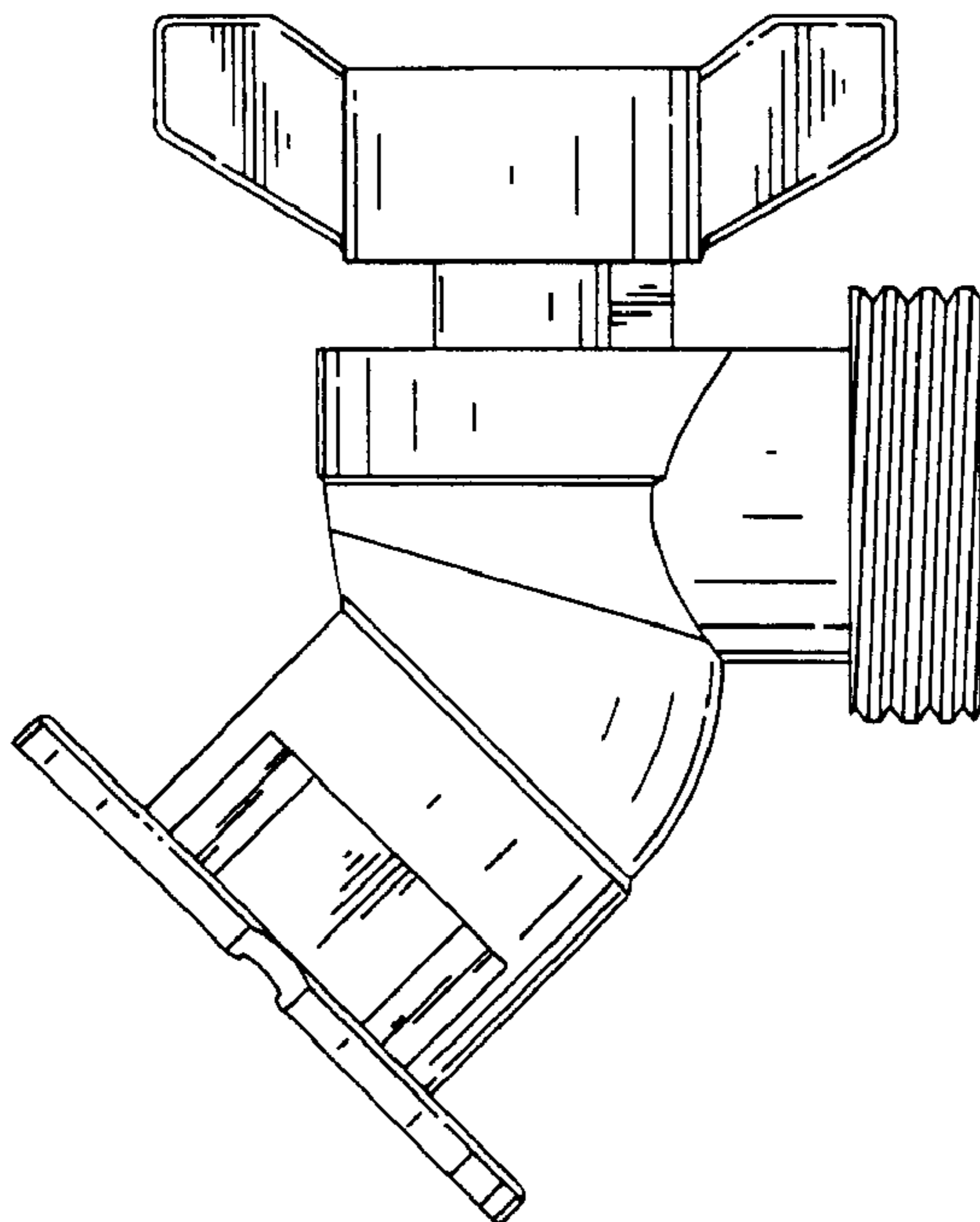


Figure 4

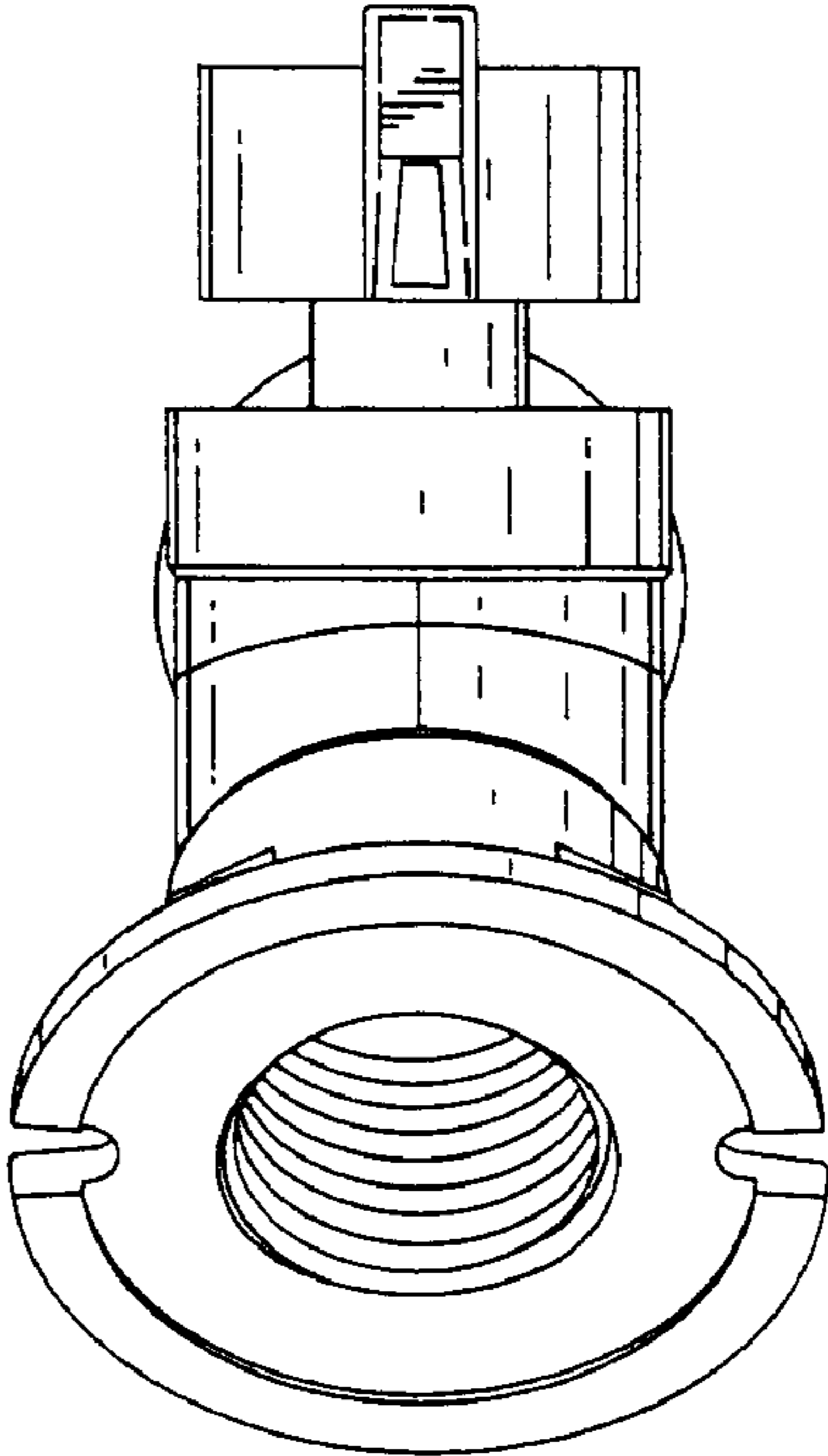


Figure 5

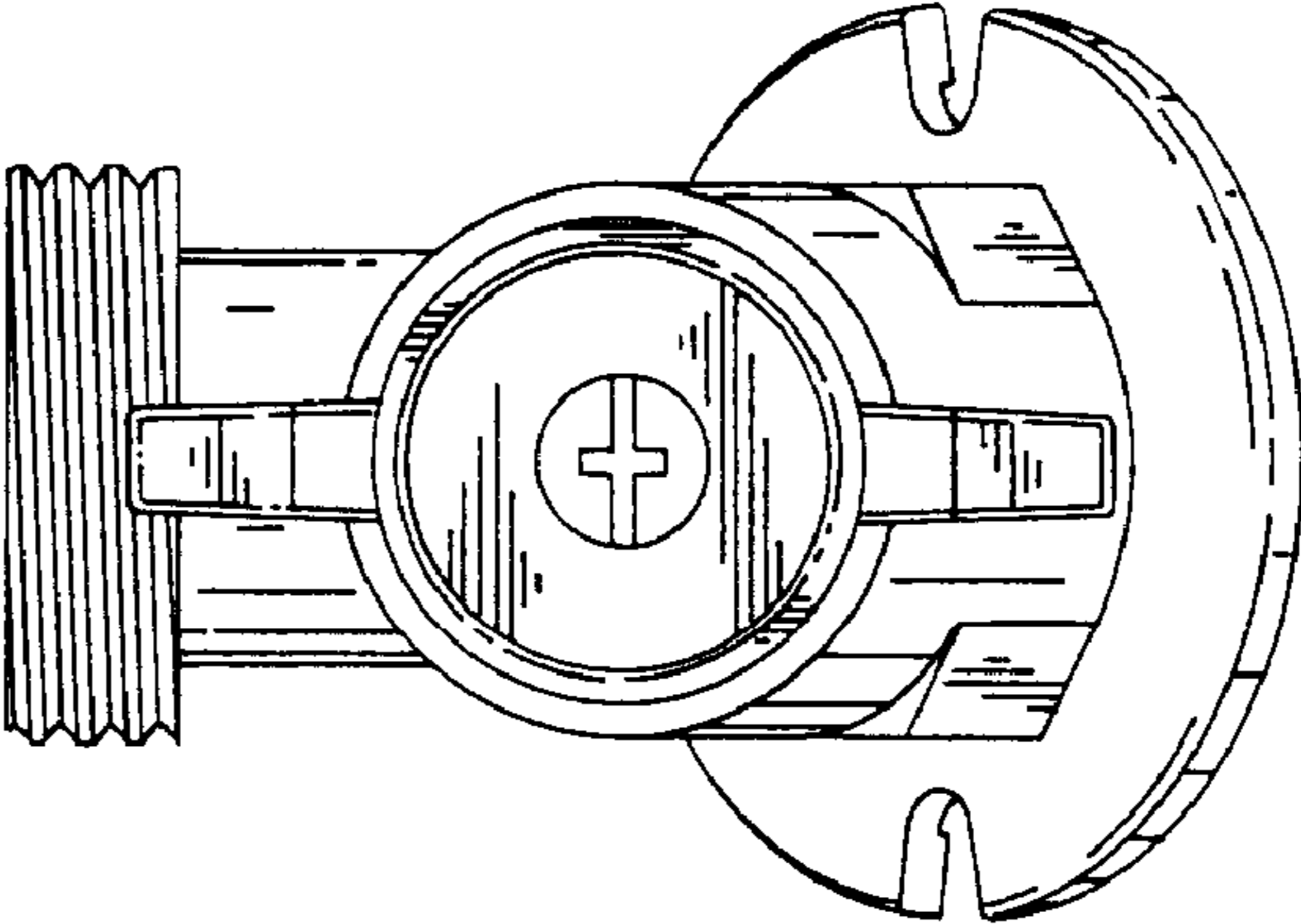


Figure 6

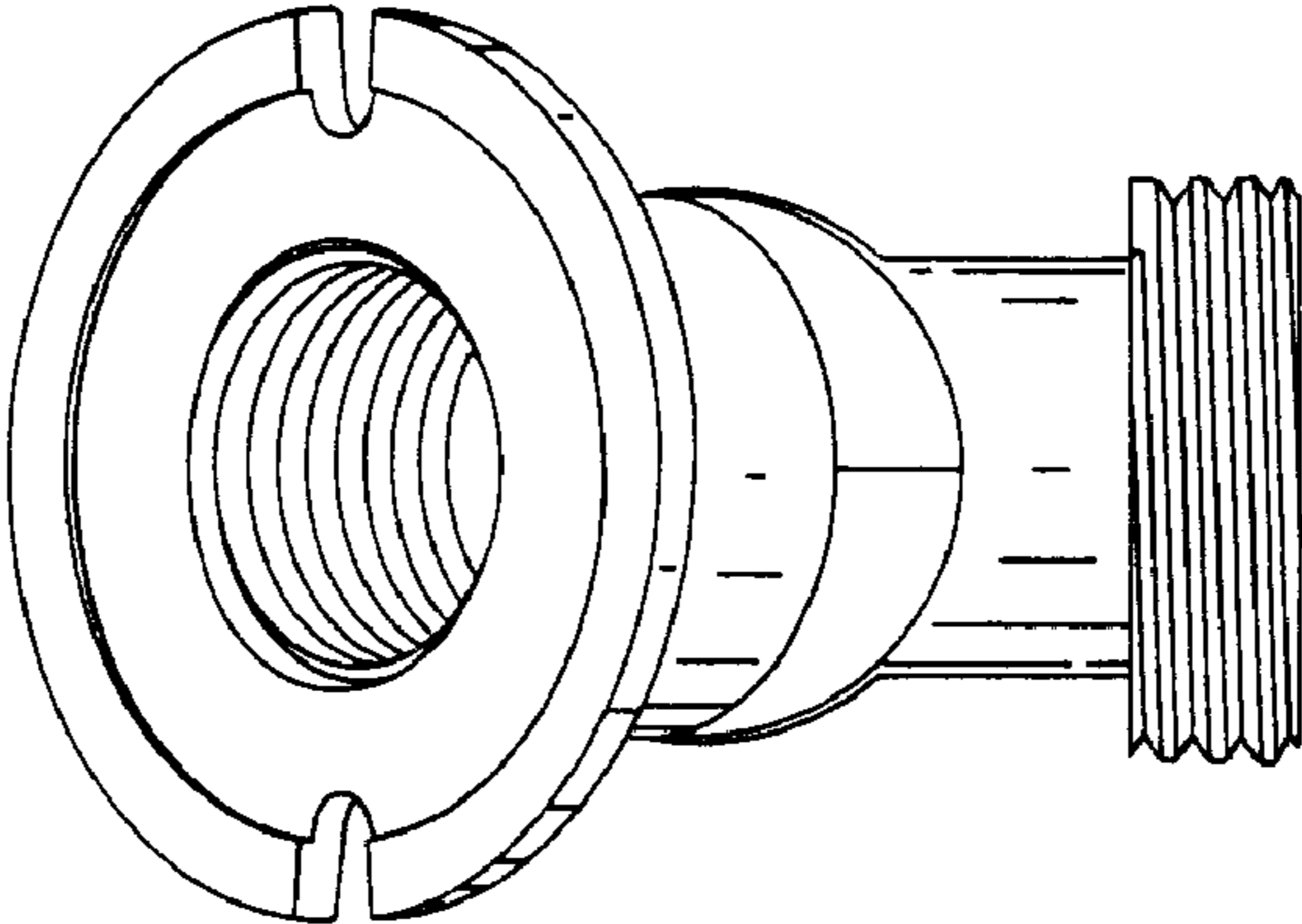


Figure 7

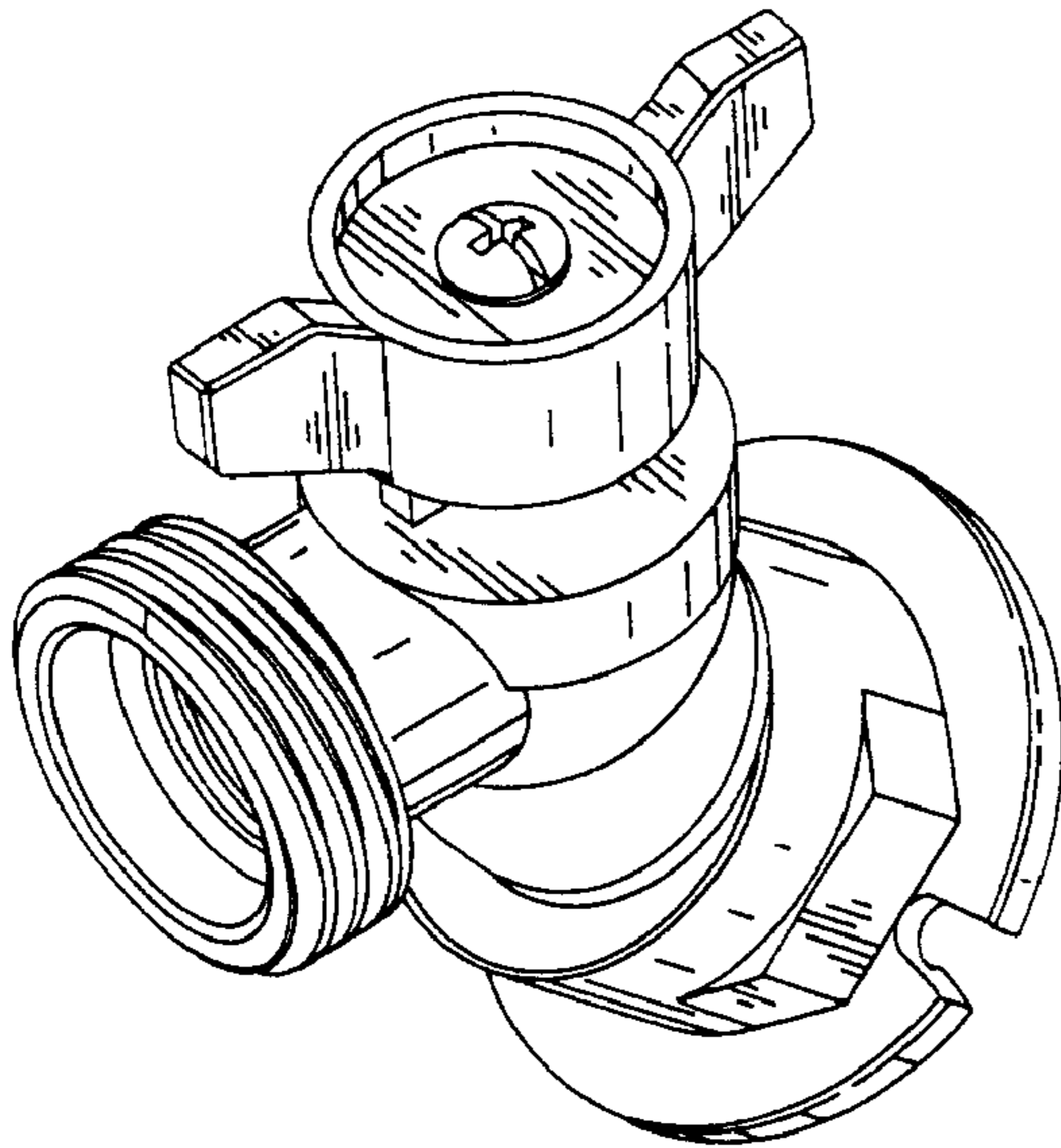


Figure 8

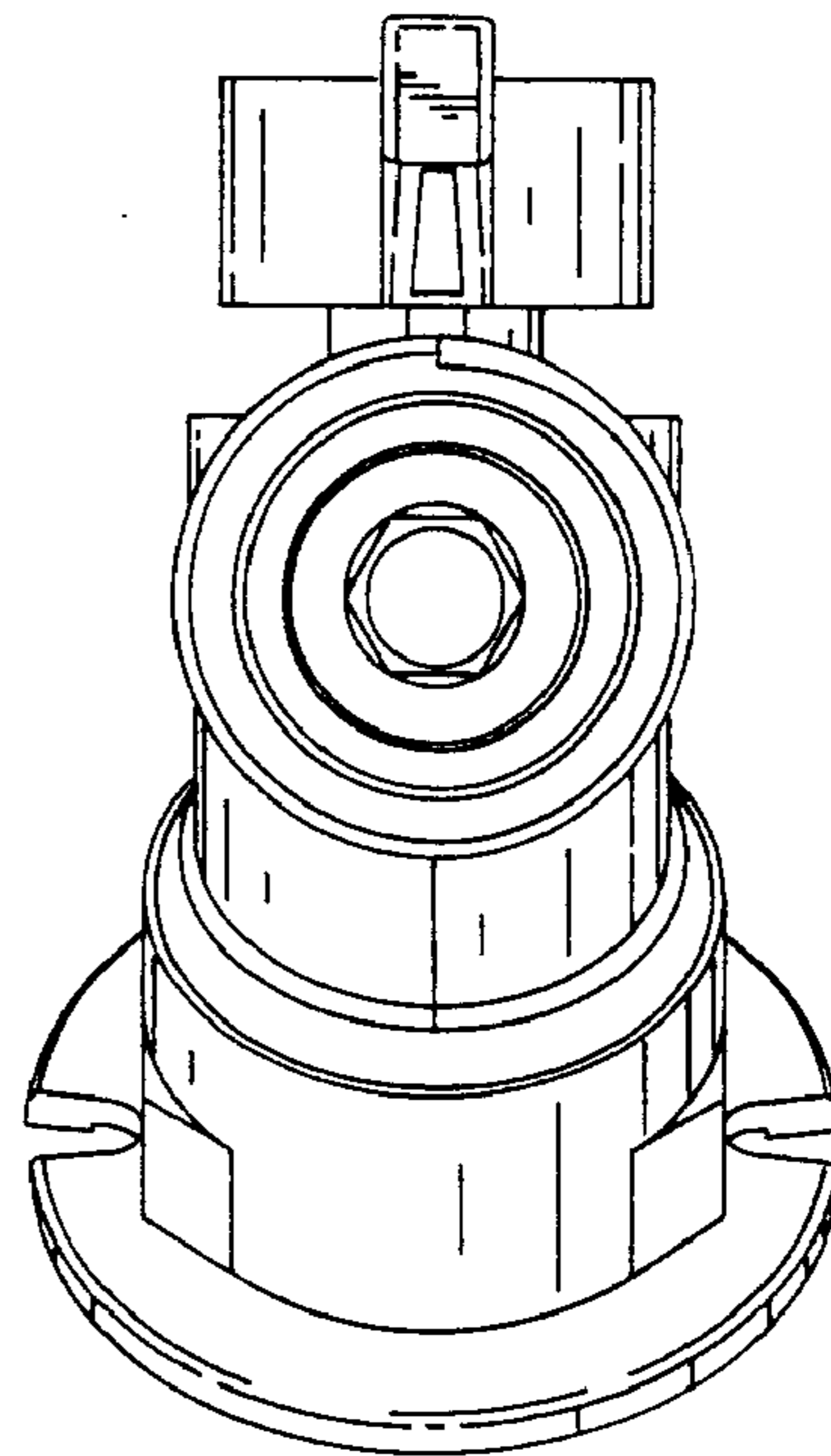


Figure 9

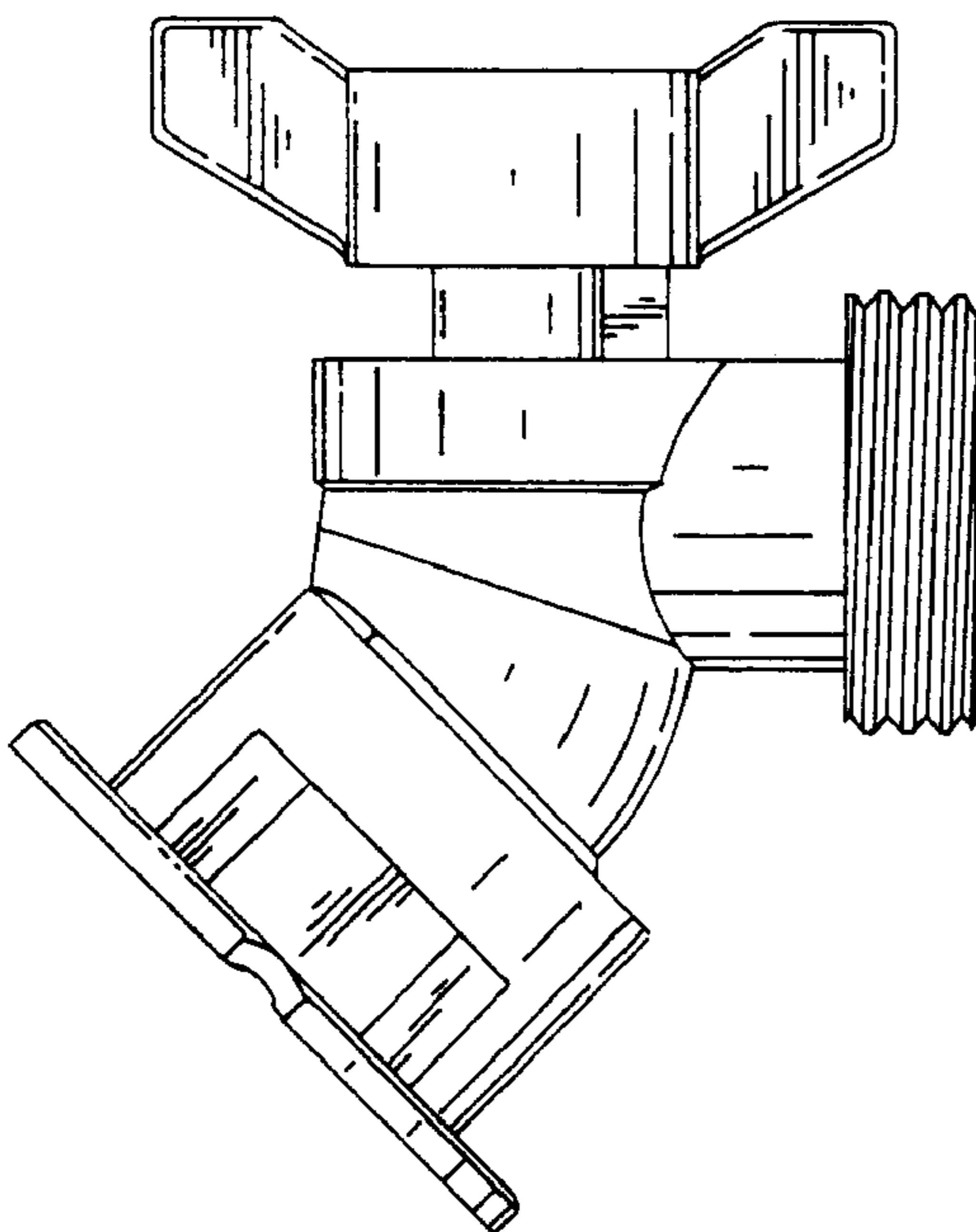


Figure 10

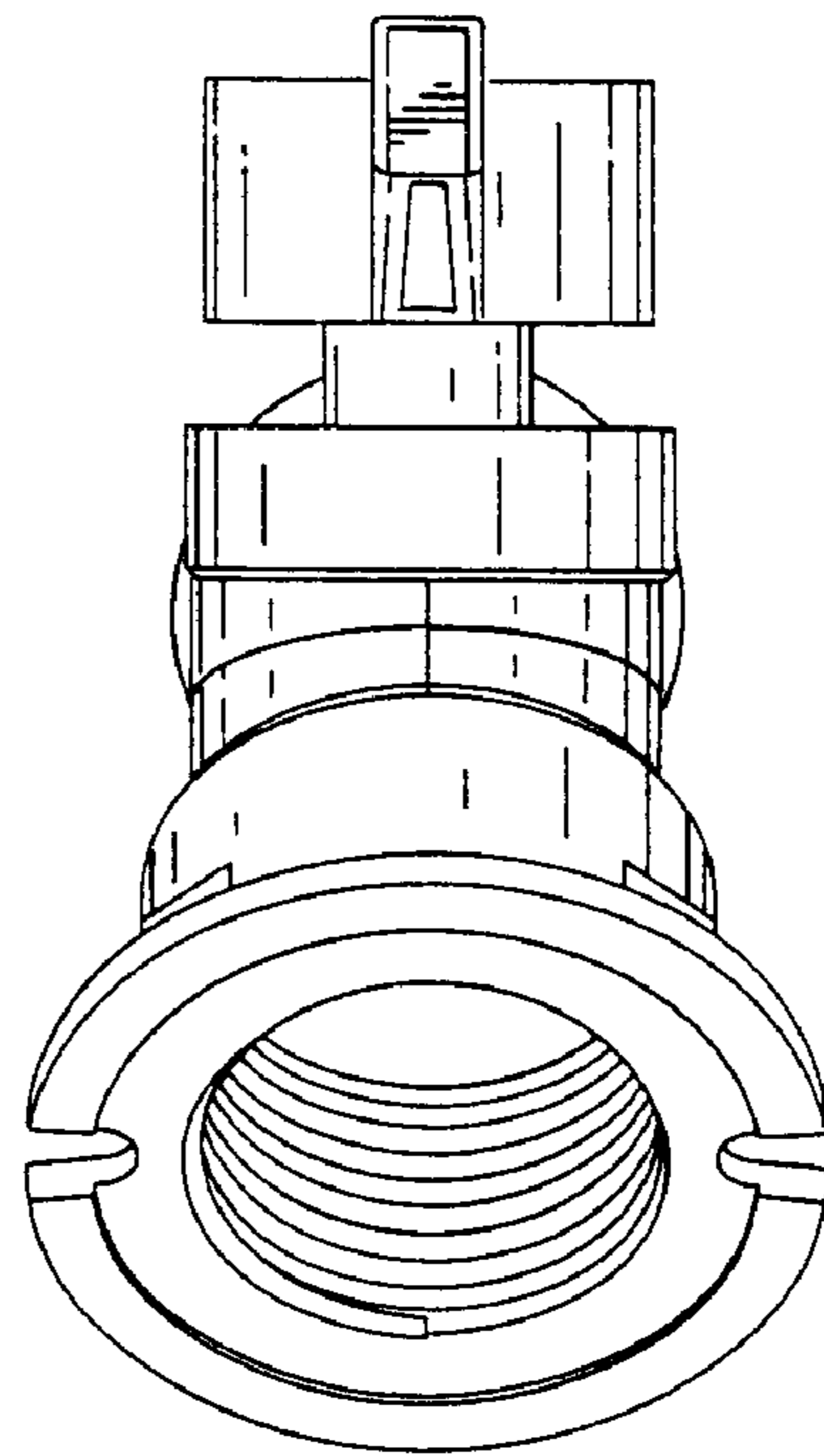


Figure 11

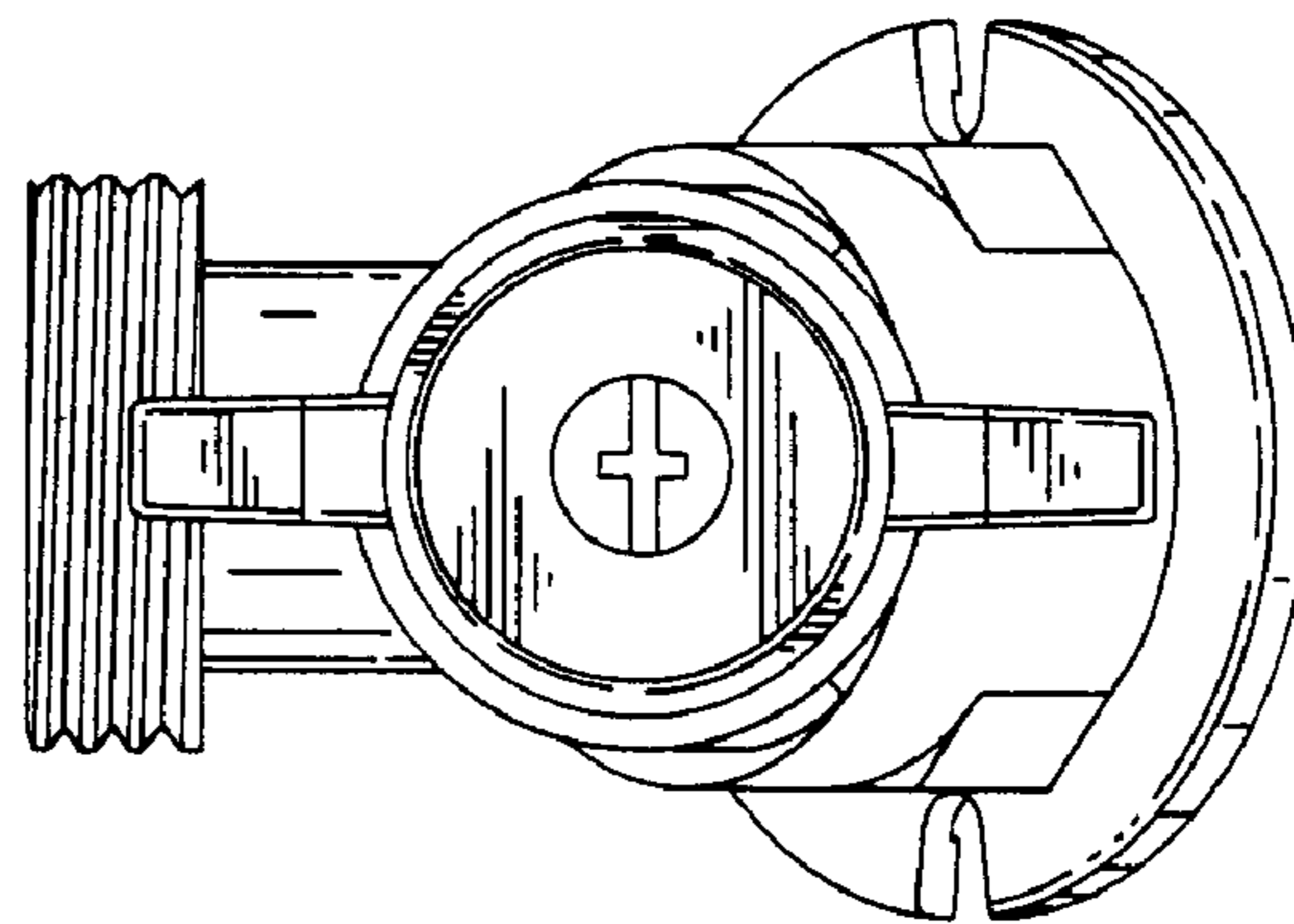


Figure 12

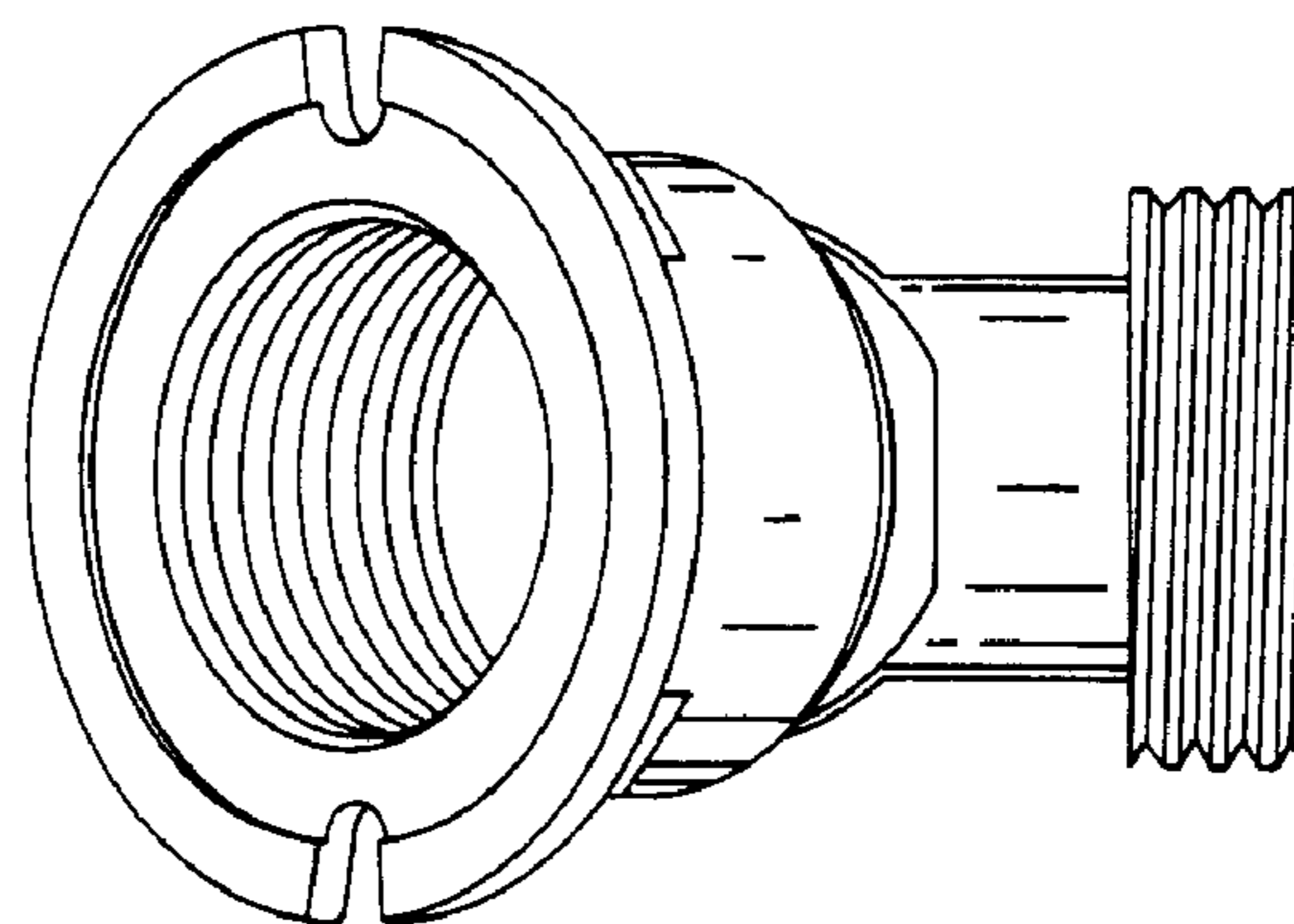


Figure 13

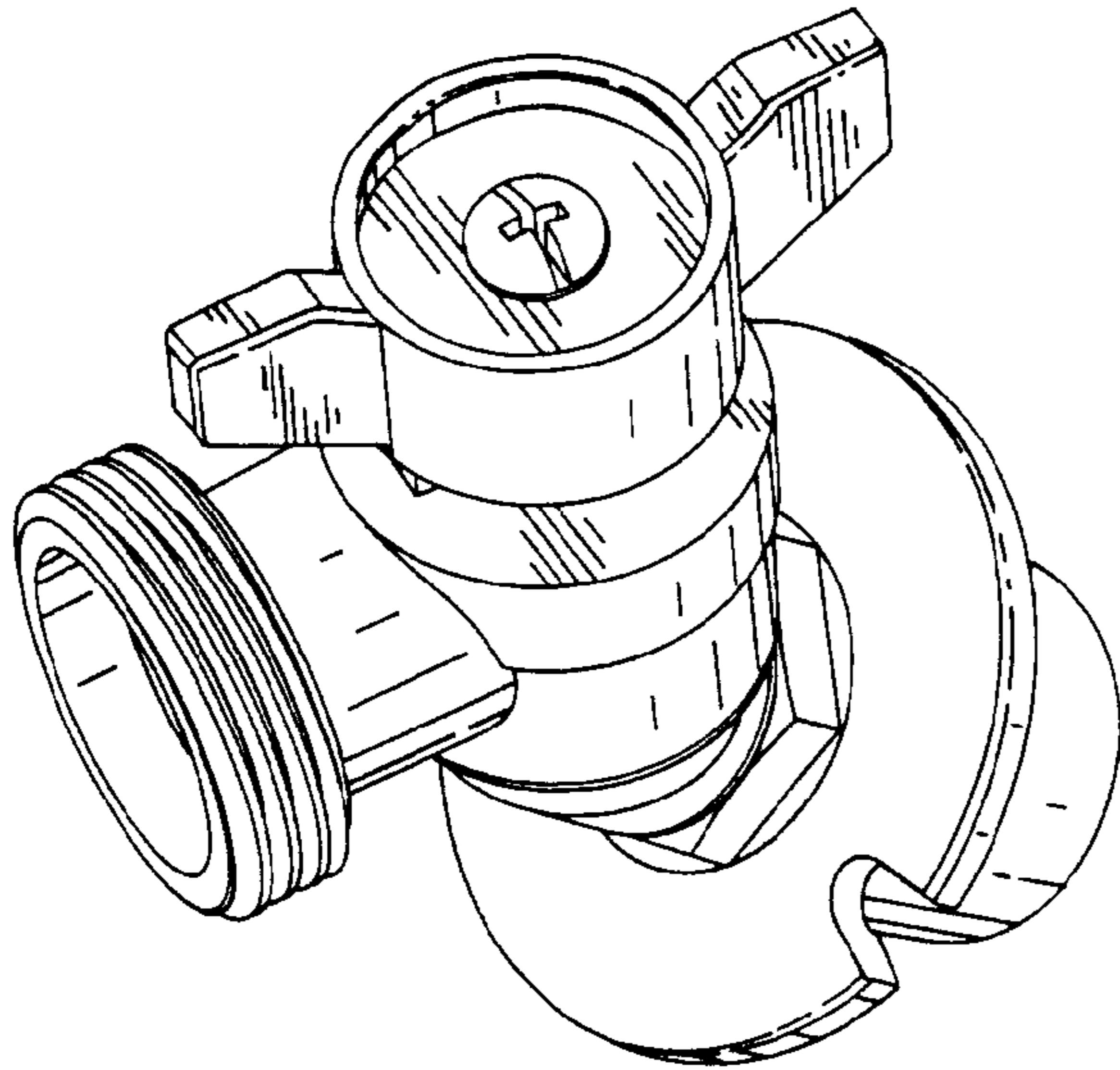


Figure 14

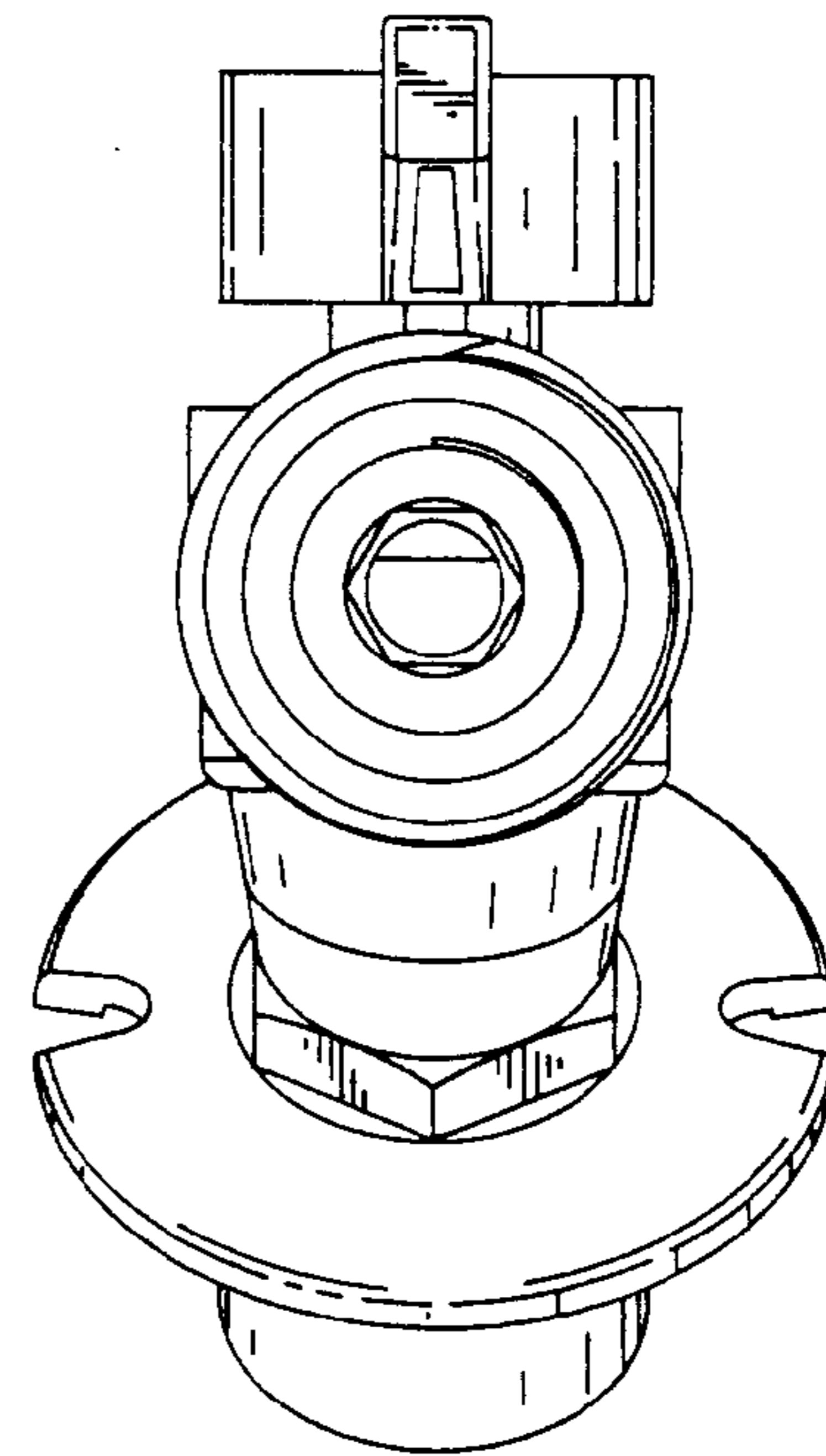


Figure 15

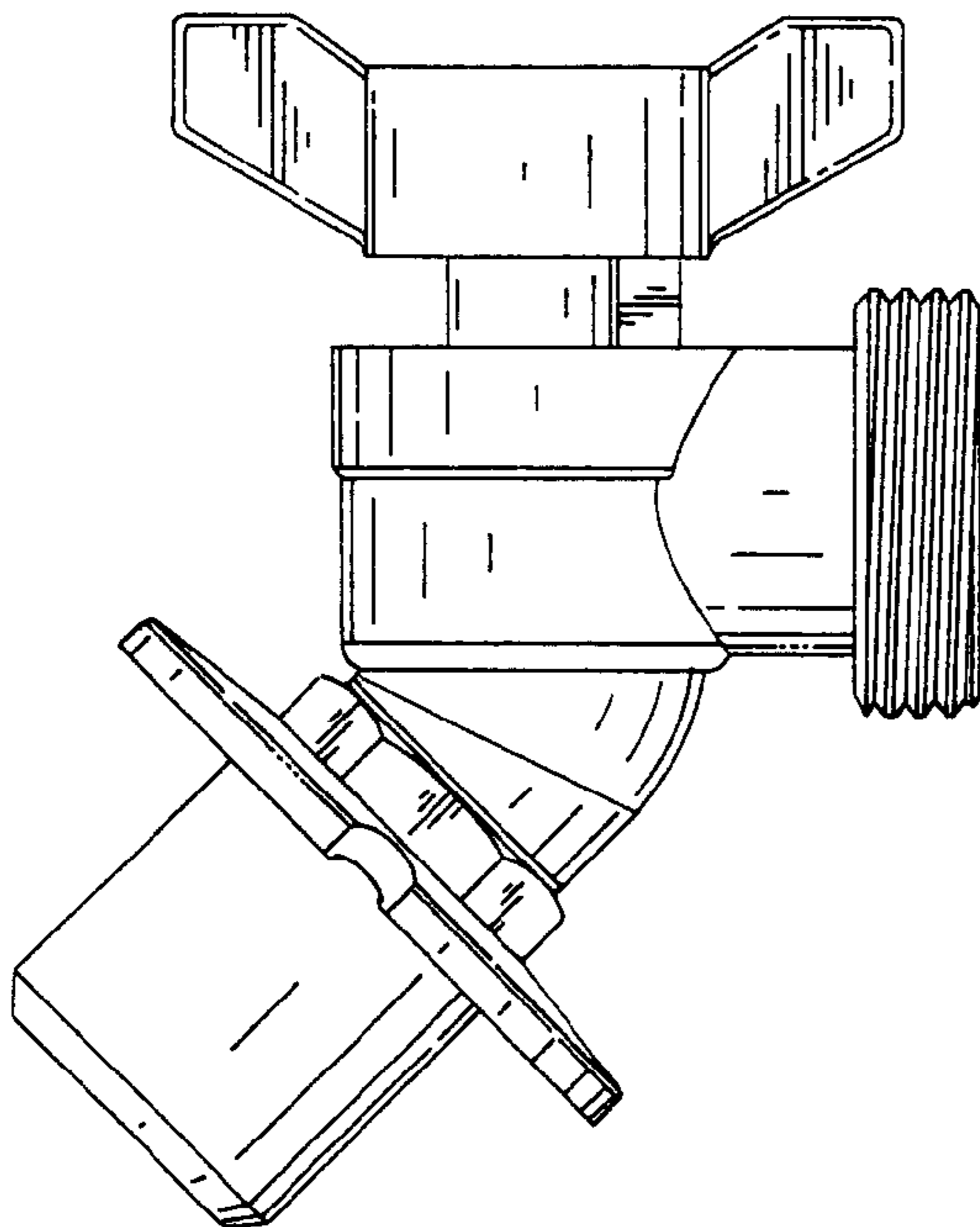


Figure 16

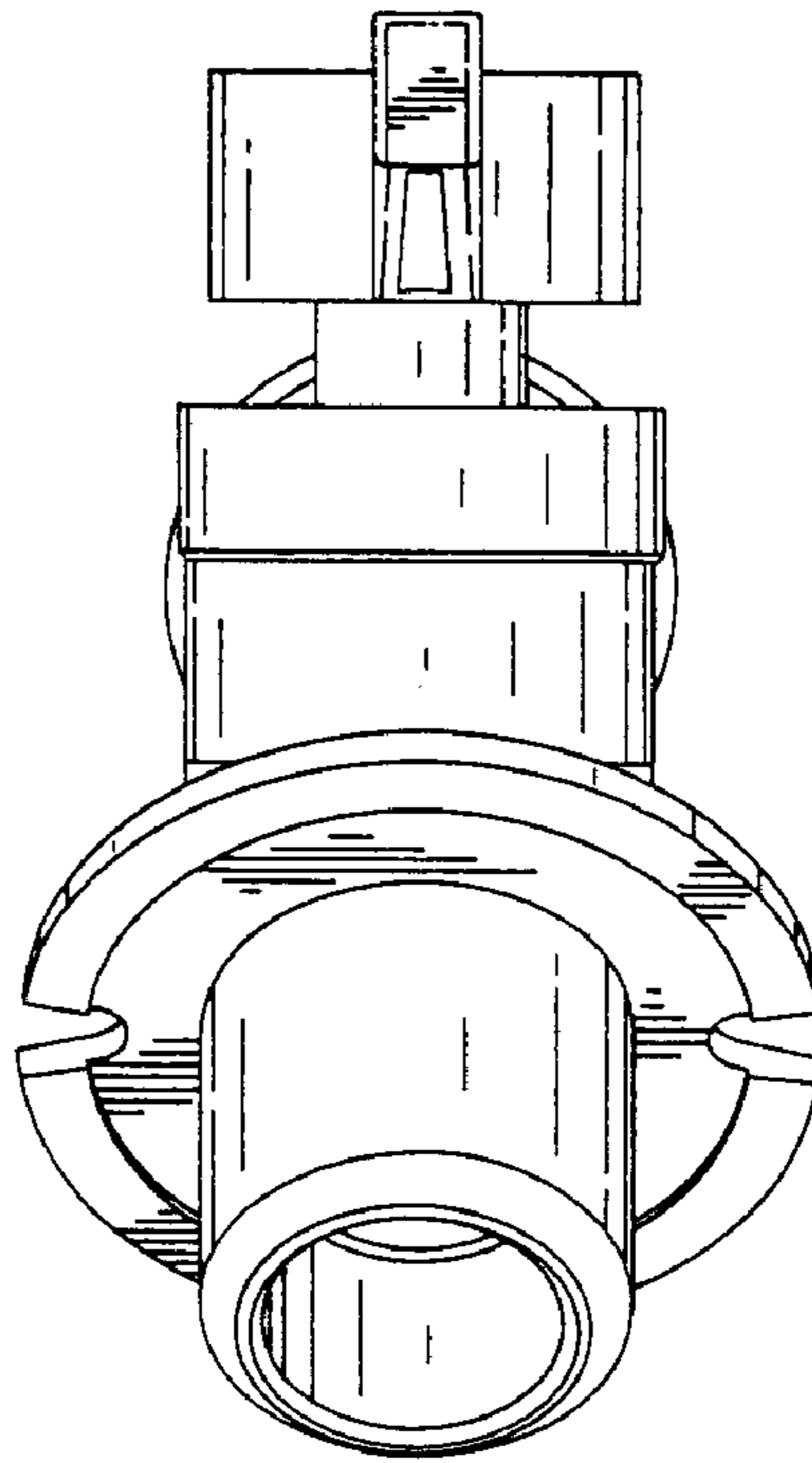


Figure 17

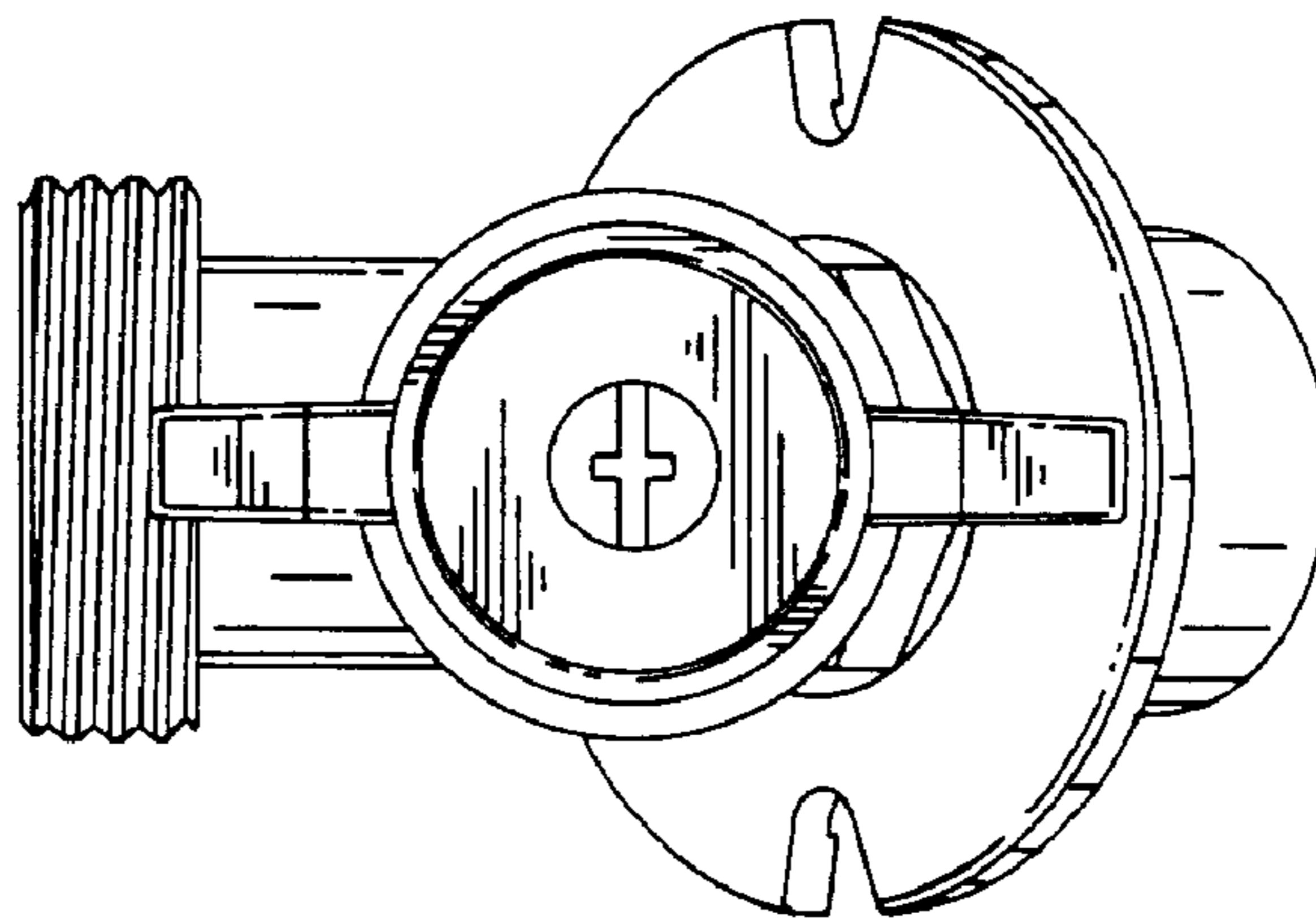


Figure 18

