



US00D517171S

(12) **United States Design Patent**
Shieh

(10) **Patent No.:** **US D517,171 S**

(45) **Date of Patent:** **** Mar. 14, 2006**

(54) **FAUCET SET**

D430,650 S * 9/2000 Graves D23/242
D461,531 S * 8/2002 Ouyoung D23/242
D465,557 S * 11/2002 Antonello et al. D23/242

(75) **Inventor:** **Ming Yun Shieh**, Changhua Hsien
(TW)

* cited by examiner

(73) **Assignee:** **Horng Lai Industrial Co., Ltd.**,
Changhua Hsien (TW)

Primary Examiner—Louis S. Zarfes

Assistant Examiner—Gregory Andoll

(**) **Term:** **14 Years**

(74) *Attorney, Agent, or Firm*—Troxell Law Office, PLLC

(21) **Appl. No.:** **29/219,687**

(57) **CLAIM**

(22) **Filed:** **Dec. 22, 2004**

The ornamental design for the “faucet set,” as shown and described.

(51) **LOC (8) Cl.** **23-01**

DESCRIPTION

(52) **U.S. Cl.** **D23/242; D23/241**

(58) **Field of Classification Search** D23/238–257;
4/675–678; 137/801

FIG. 1 is a perspective view of a faucet set showing my new design;

FIG. 2 is a front view thereof;

FIG. 3 is a rear view thereof;

FIG. 4 is a left side and right side view thereof;

FIG. 5 is a top view thereof; and,

FIG. 6 is a bottom view thereof.

See application file for complete search history.

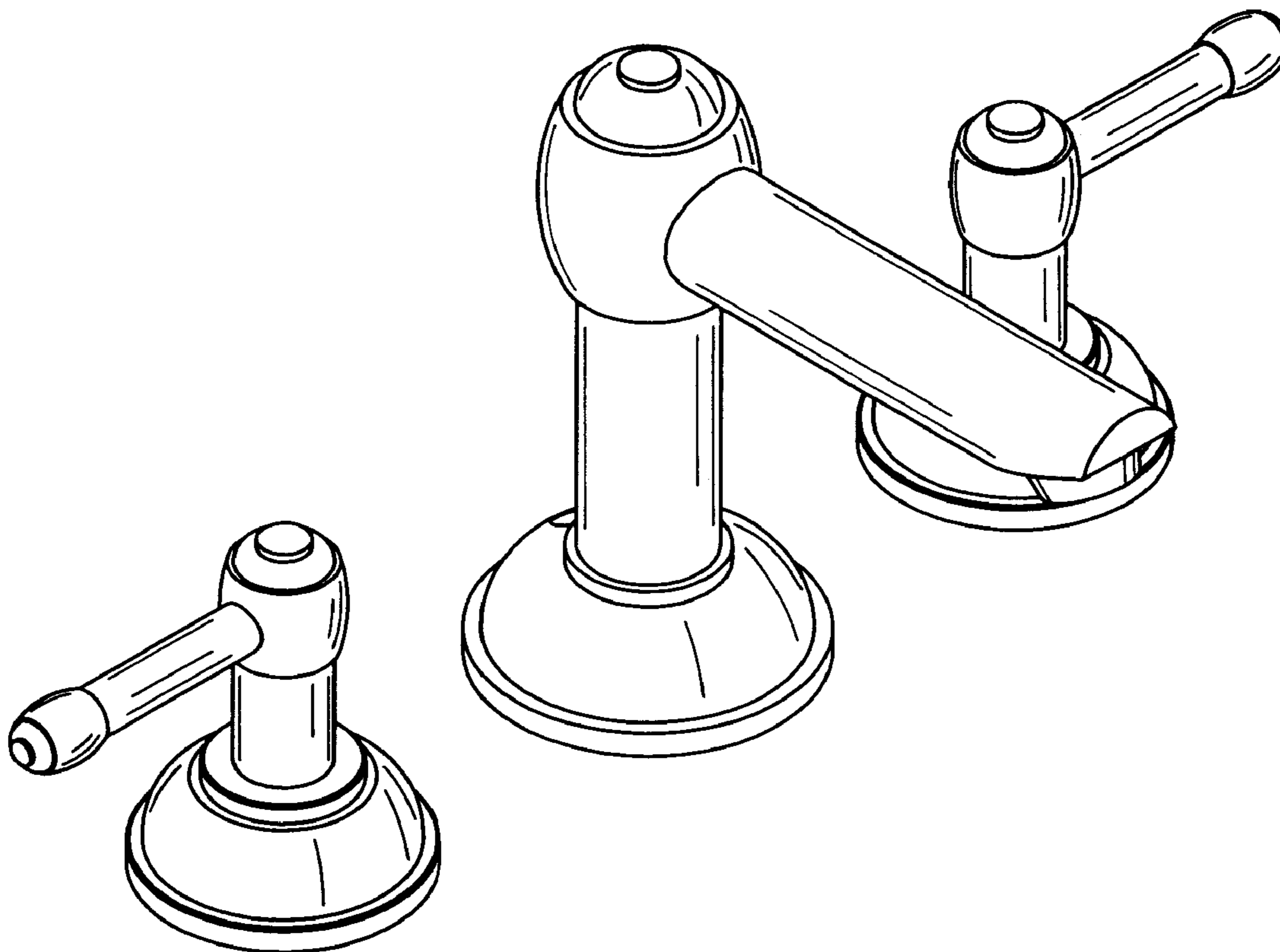
(56) **References Cited**

U.S. PATENT DOCUMENTS

D350,183 S * 8/1994 Joerger D23/242

D373,179 S * 8/1996 Sieger D23/241

1 Claim, 4 Drawing Sheets



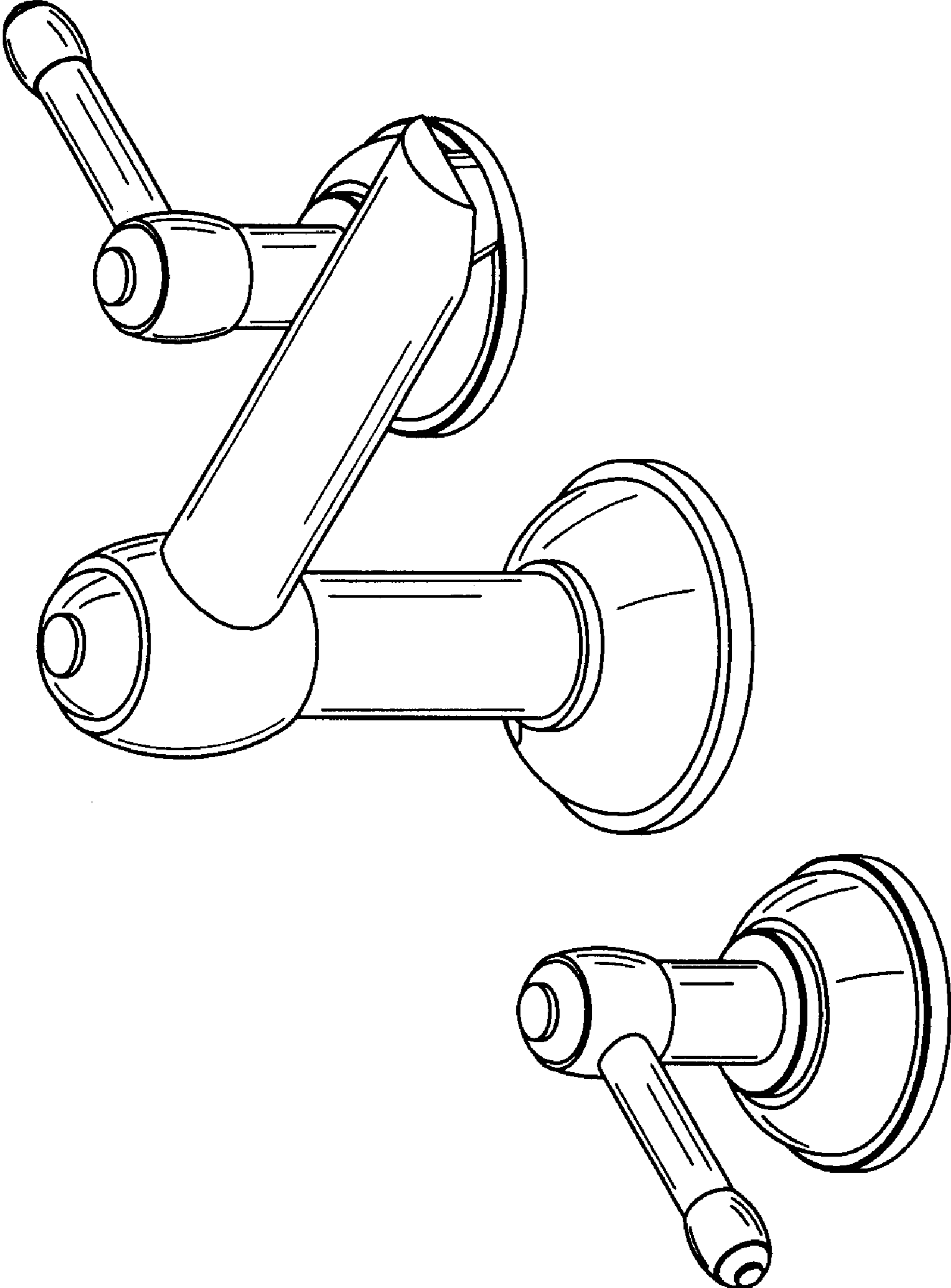


FIG. 1

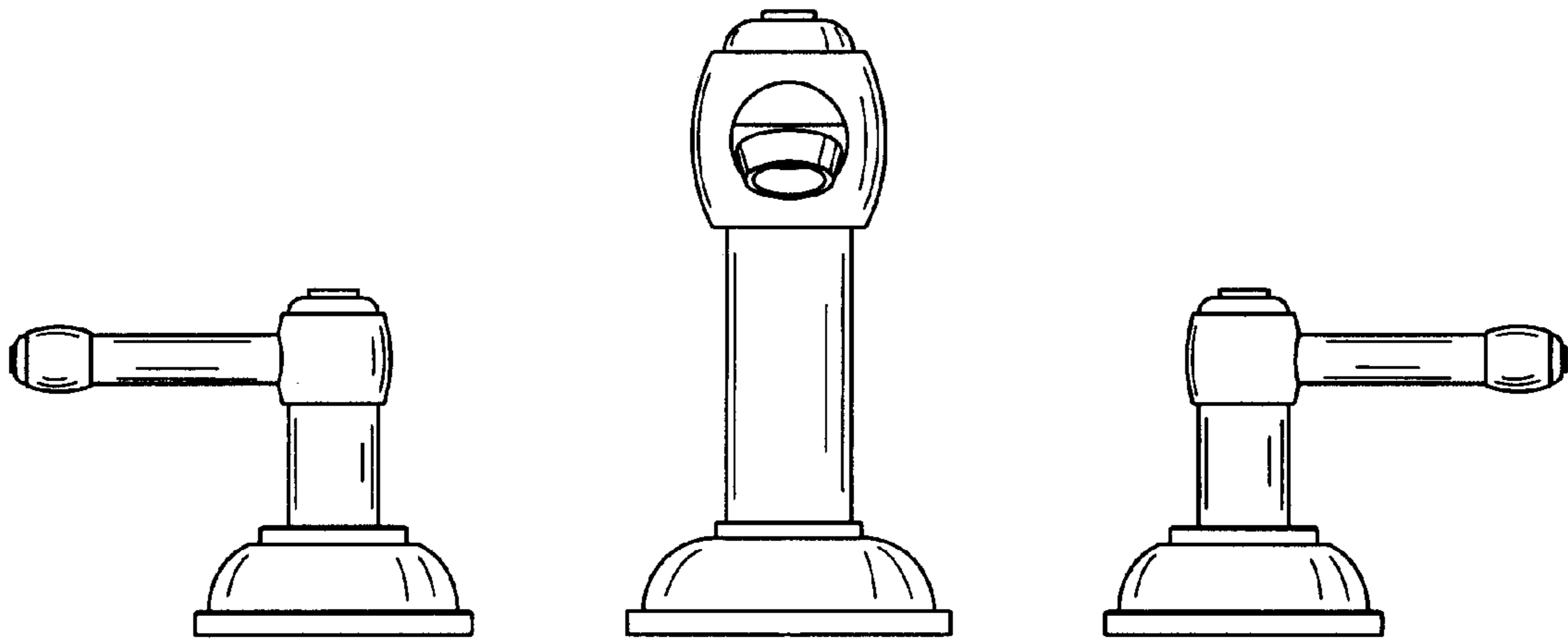


FIG. 2

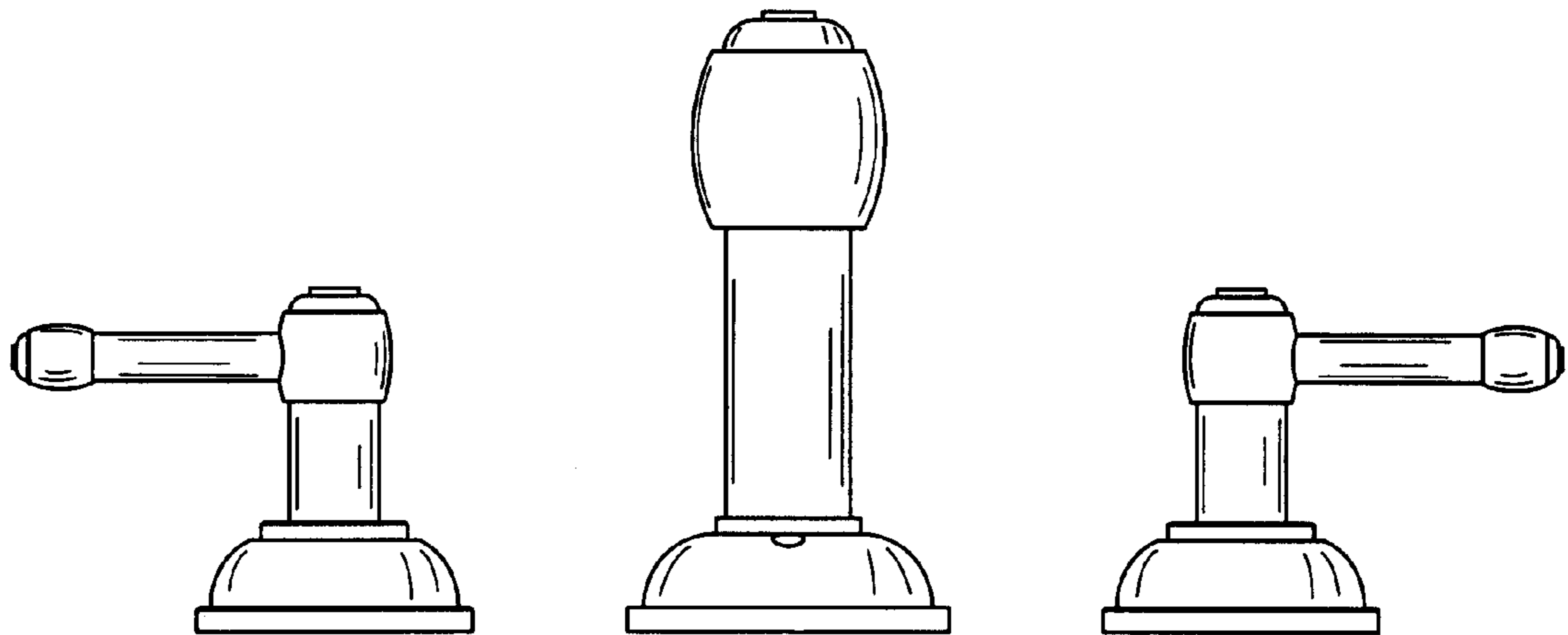


FIG. 3

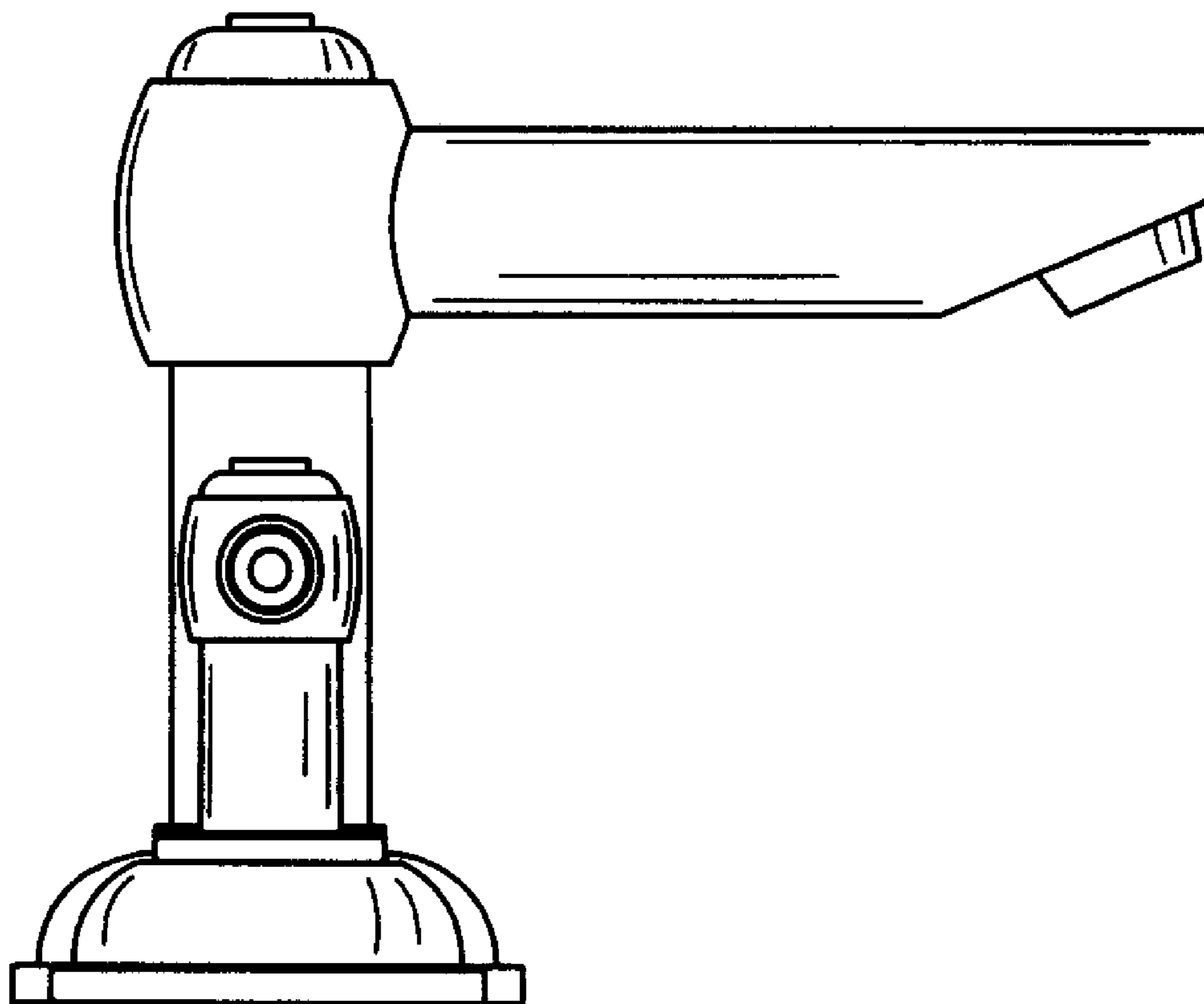


FIG. 4

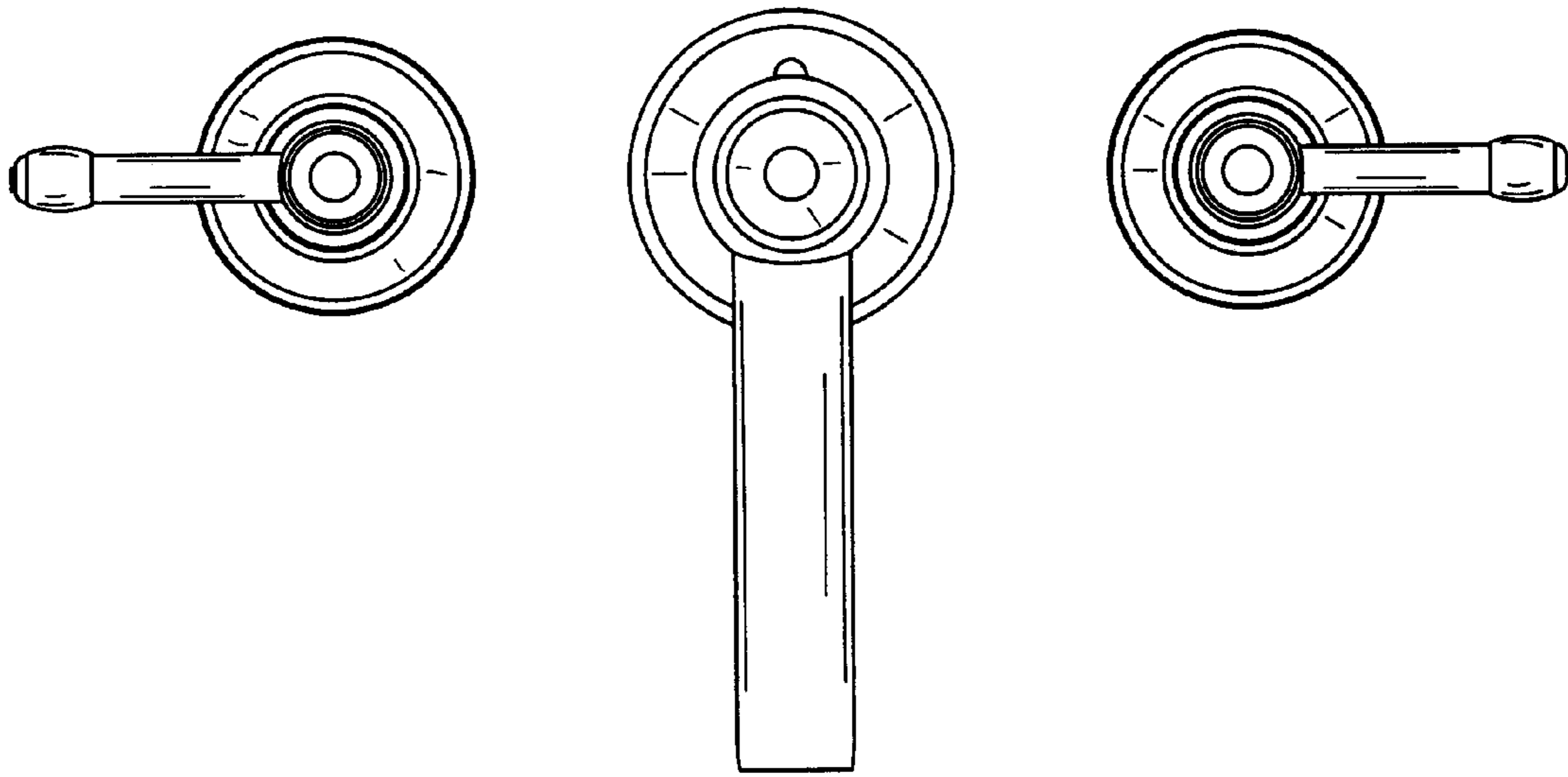


FIG. 5

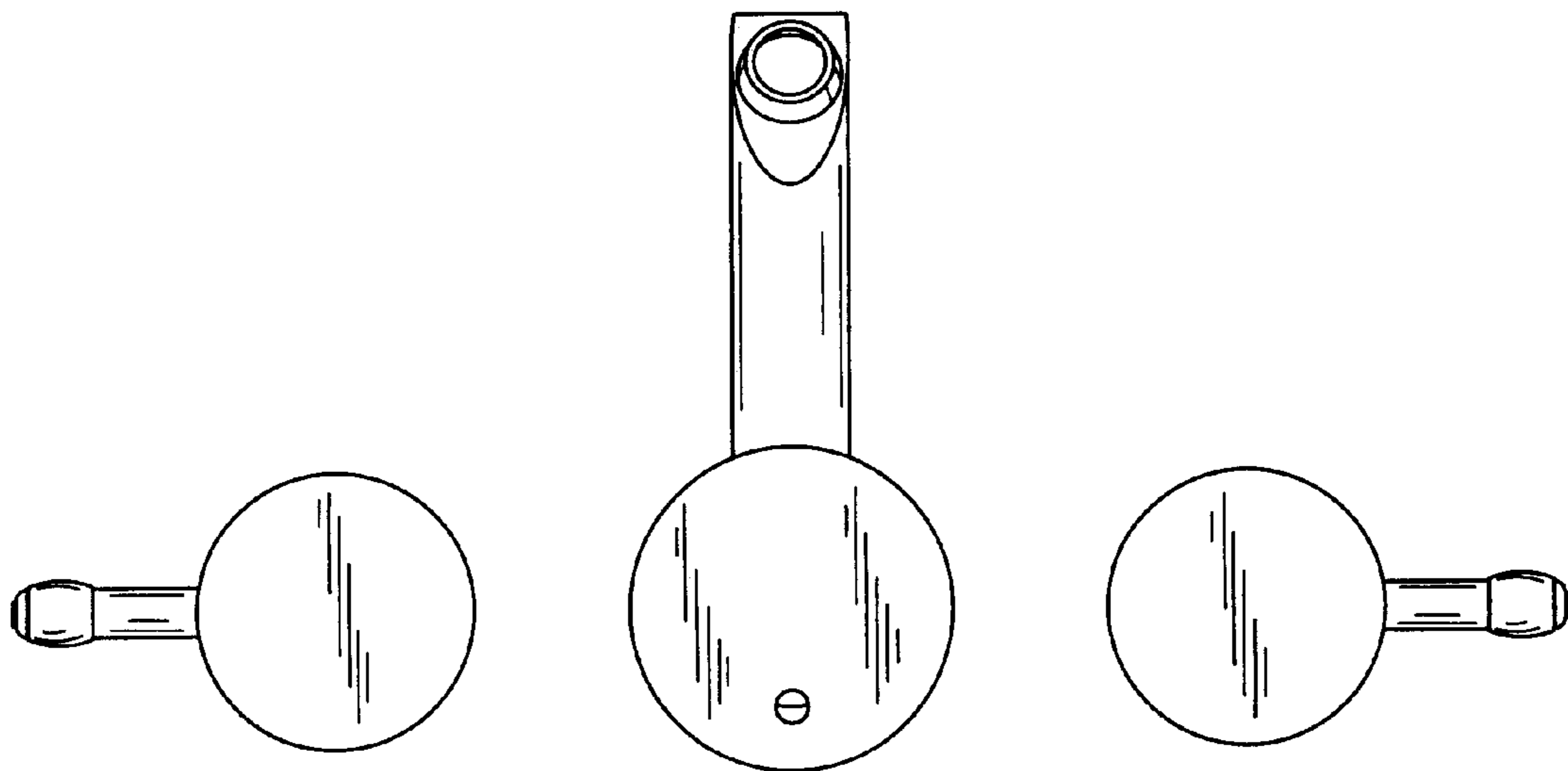


FIG. 6