

US00D517169S

(12) **United States Design Patent**
Ogata et al.

(10) **Patent No.:** **US D517,169 S**
(45) **Date of Patent:** **** Mar. 14, 2006**

- (54) **FAUCET AND HANDLE SET**
 - (75) Inventors: **Rina Ogata**, Kitakyushu (JP); **Atsushi Toyohara**, Kitakyushu (JP)
 - (73) Assignee: **Toto Ltd.**, Kitakyushu (JP)
 - (**) Term: **14 Years**
 - (21) Appl. No.: **29/229,214**
 - (22) Filed: **May 5, 2005**
 - (51) **LOC (8) Cl.** **23-01**
 - (52) **U.S. Cl.** **D23/238**
 - (58) **Field of Classification Search** D23/238-257;
4/675-678; 137/801
- See application file for complete search history.

- D410,735 S * 6/1999 Gottwald D23/238
- D416,077 S * 11/1999 Fleischmann D23/238
- D441,429 S * 5/2001 Mullenmeister D23/238

* cited by examiner

Primary Examiner—Louis S. Zarfaz
Assistant Examiner—Gregory Andoll
(74) *Attorney, Agent, or Firm*—Birch, Stewart, Kolasch & Birch, LLP

(57) **CLAIM**

The ornamental design for a faucet and handle set, as shown and described.

DESCRIPTION

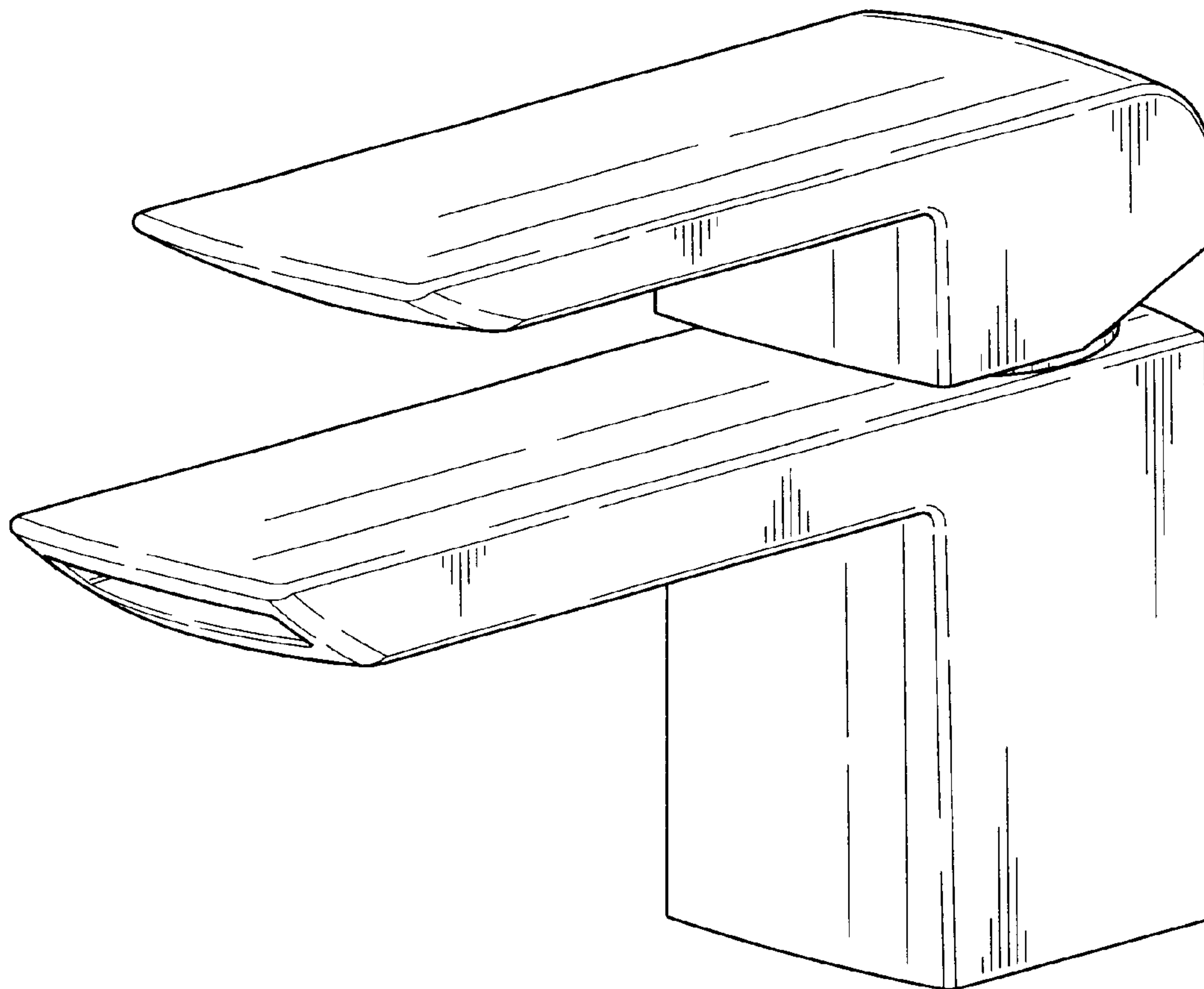
FIG. 1 is a perspective view of the top, front and right side of a faucet and handle set showing our new design; FIG. 2 is a front view thereof; FIG. 3 is a rear view thereof; FIG. 4 is a right side view thereof; FIG. 5 is a left side view thereof; FIG. 6 is a top plan view thereof; and, FIG. 7 is a bottom view thereof.

(56) **References Cited**

U.S. PATENT DOCUMENTS

- D301,162 S * 5/1989 Oberdorfer D23/238
- D309,655 S * 7/1990 Reinecke D23/238
- D394,698 S * 5/1998 Krause D23/238
- D410,067 S * 5/1999 Gottwald D23/238

1 Claim, 4 Drawing Sheets



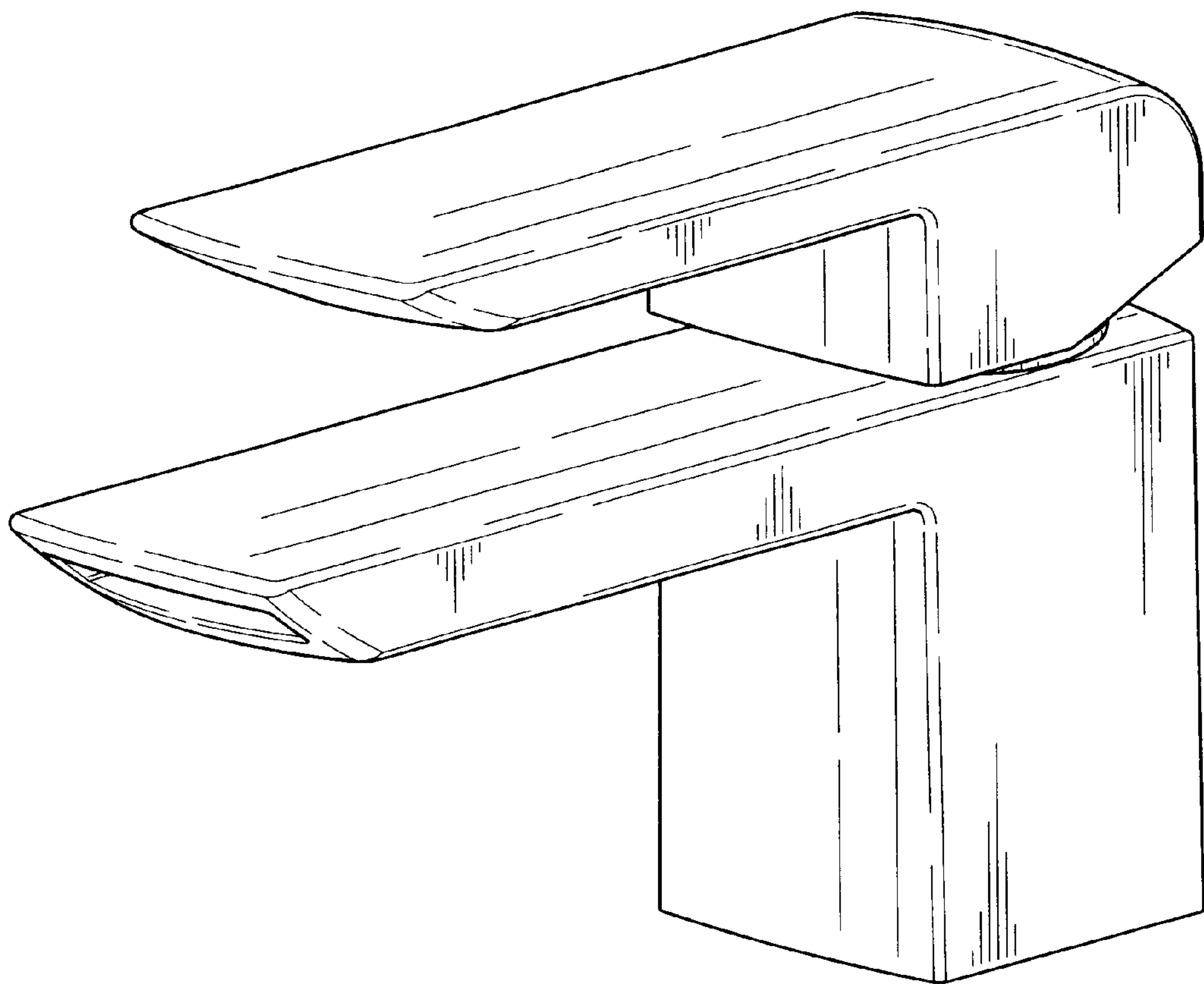


FIG. 1

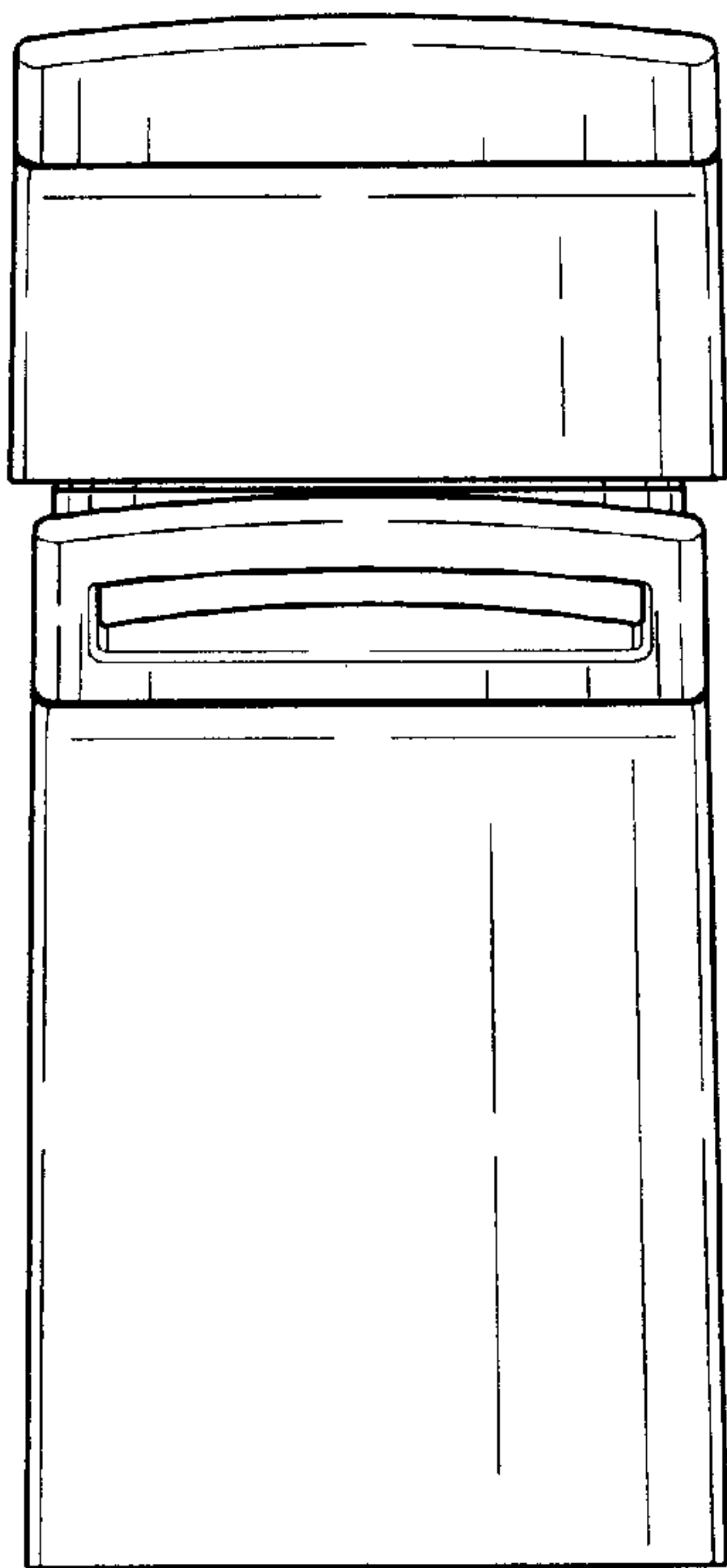


FIG. 2

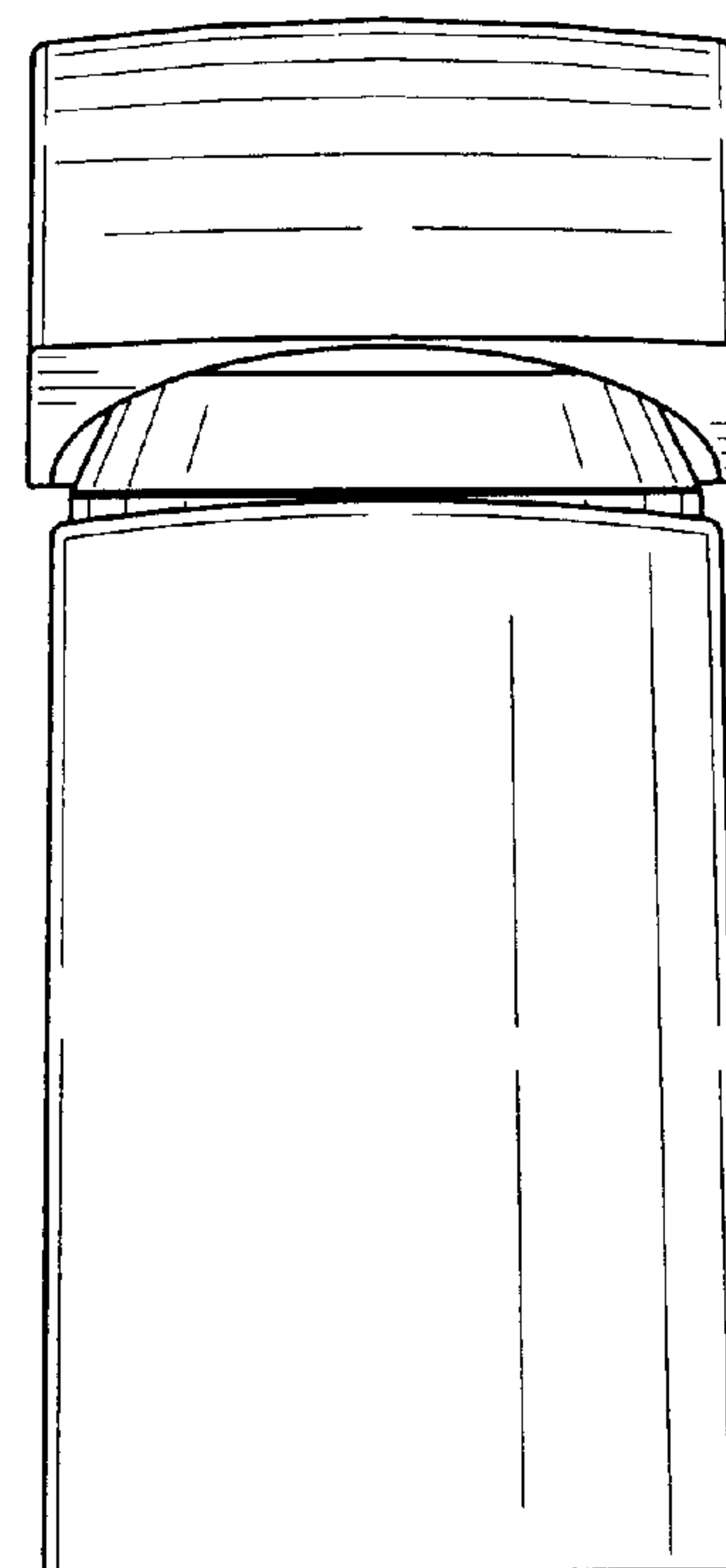


FIG. 3

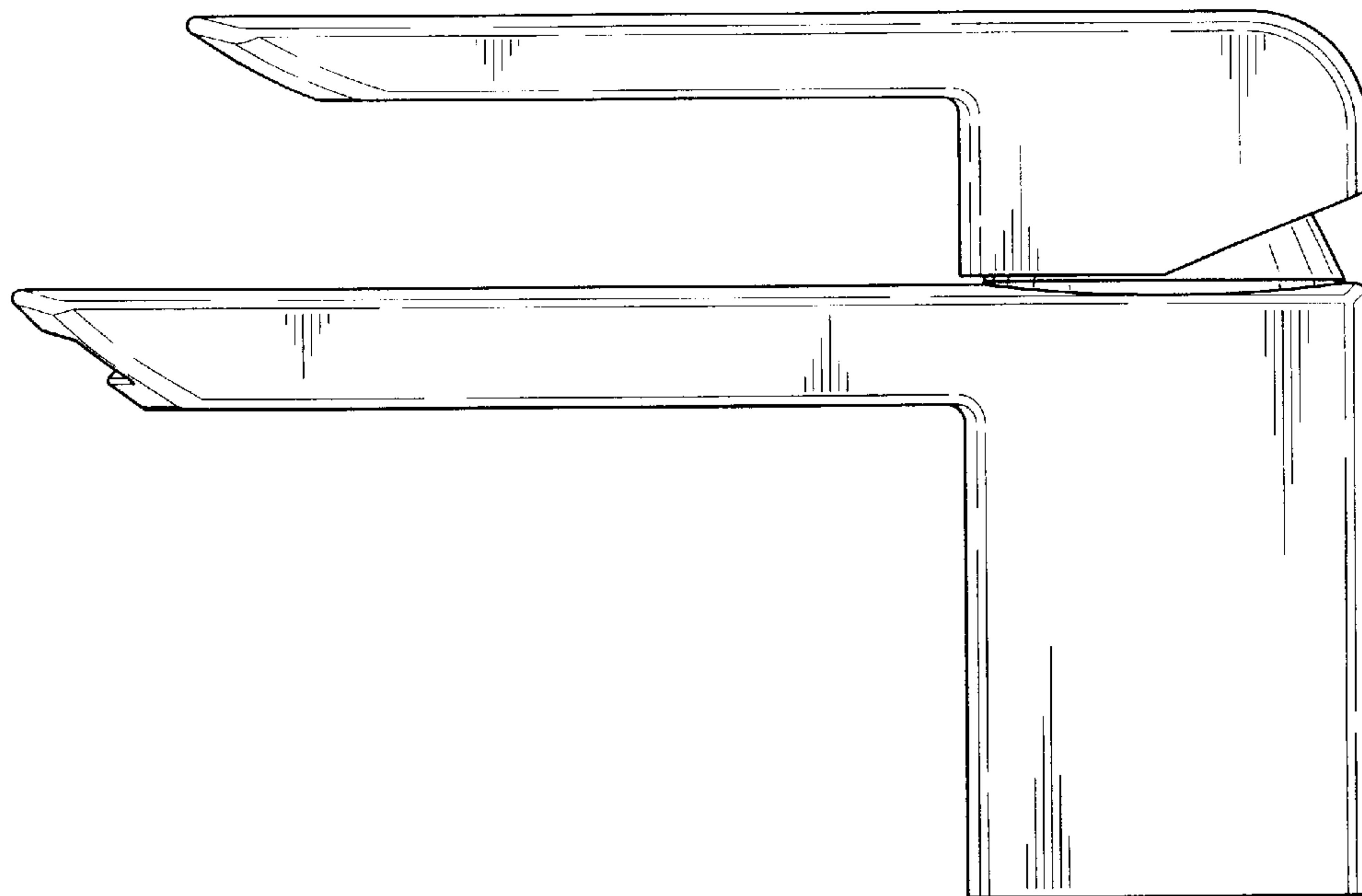


FIG. 4

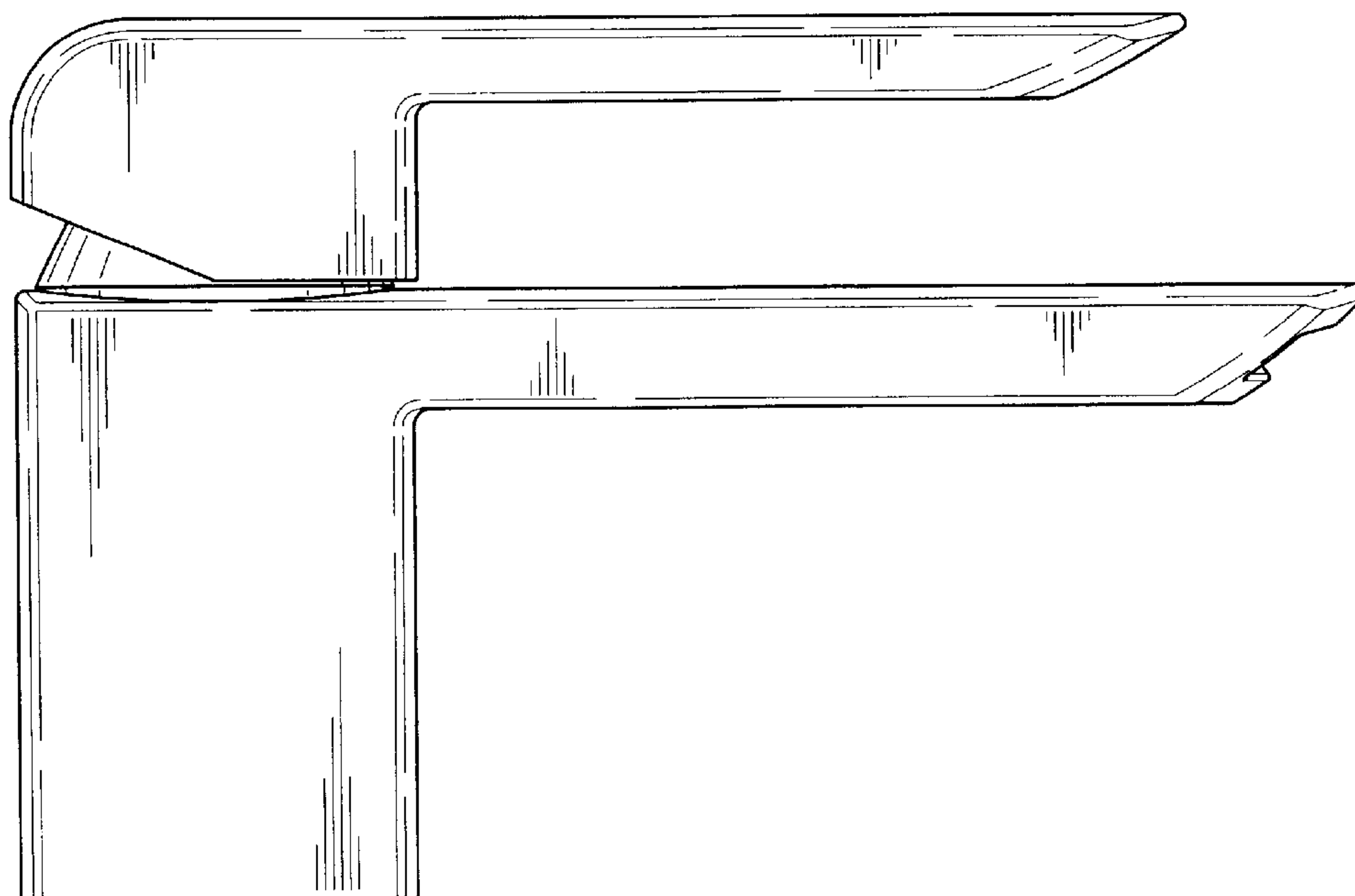


FIG. 5

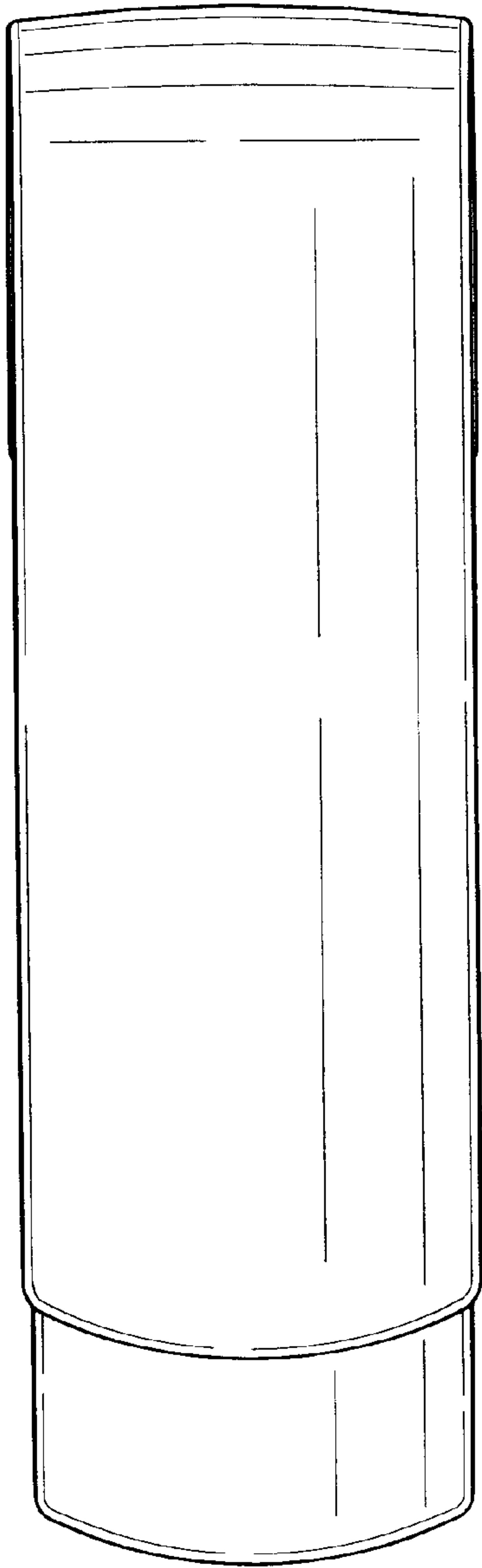


FIG. 6

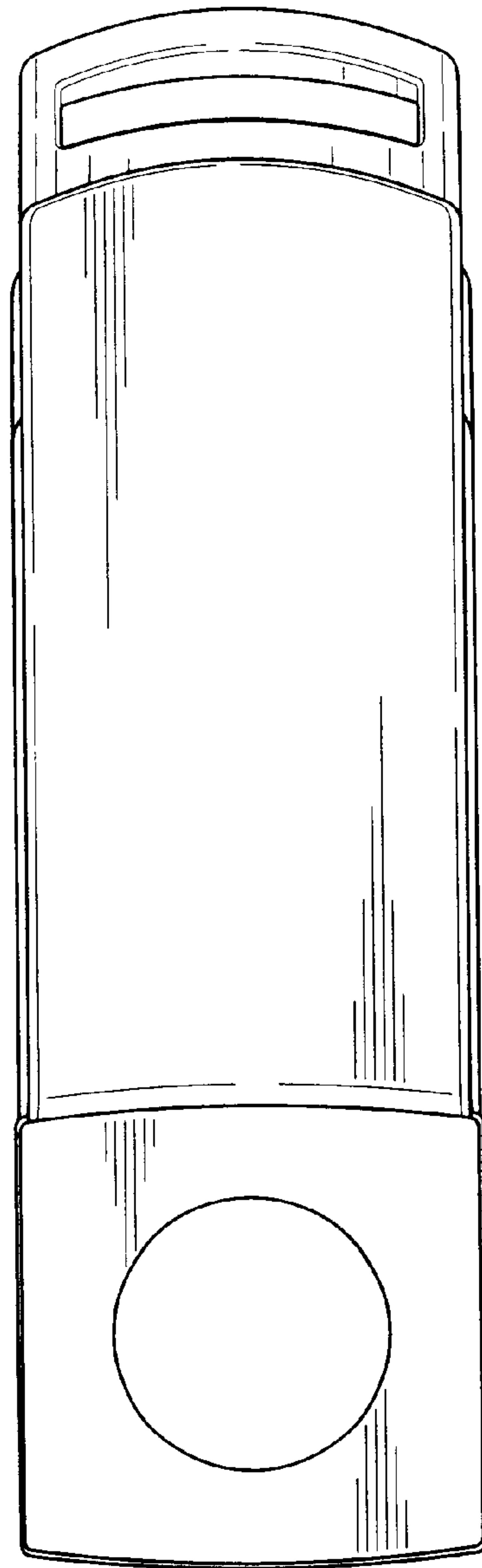


FIG. 7