



US00D517167S

(12) **United States Design Patent**  
**Kulig**

(10) **Patent No.:** **US D517,167 S**  
(45) **Date of Patent:** **\*\* Mar. 14, 2006**

(54) **FAUCET**

D467,307 S \* 12/2002 Sieger ..... D23/242  
D479,583 S \* 9/2003 Citterio ..... D23/242

(75) Inventor: **Zbigniew Kulig**, Milwaukee, WI (US)

\* cited by examiner

(73) Assignee: **Graff Faucets**, Milwaukee, WI (US)

*Primary Examiner*—Louis S. Zarfes

(\*\*) Term: **14 Years**

*Assistant Examiner*—Gregory Andoll

(21) Appl. No.: **29/220,239**

(74) *Attorney, Agent, or Firm*—Boyle Fredrickson  
Newholm Stein & Gratz S.C.

(22) Filed: **Dec. 28, 2004**

(57) **CLAIM**

(51) **LOC (8) Cl.** ..... **23-01**

The ornamental design for a faucet, as shown and described.

(52) **U.S. Cl.** ..... **D23/238**

**DESCRIPTION**

(58) **Field of Classification Search** ..... D23/238–257;  
4/675–678; 137/801

FIG. 1 is perspective view of a faucet incorporating my new design, viewed from in front of, above, and from the right side of the faucet;

See application file for complete search history.

FIG. 2 is a front elevation view thereof;

(56) **References Cited**

**U.S. PATENT DOCUMENTS**

- D300,942 S \* 5/1989 Paul ..... D23/242
- D309,655 S 7/1990 Reinecke
- D318,097 S 7/1991 Sieger
- 5,215,216 A \* 6/1993 Van Marcke ..... 222/1
- D420,430 S 2/2000 Lobermeier
- D421,486 S \* 3/2000 Slothower et al. .... D23/255
- D441,060 S \* 4/2001 Lefroy-Brooks ..... D23/255

FIG. 3 is a rear elevation view thereof;

FIG. 4 is a top plan view thereof;

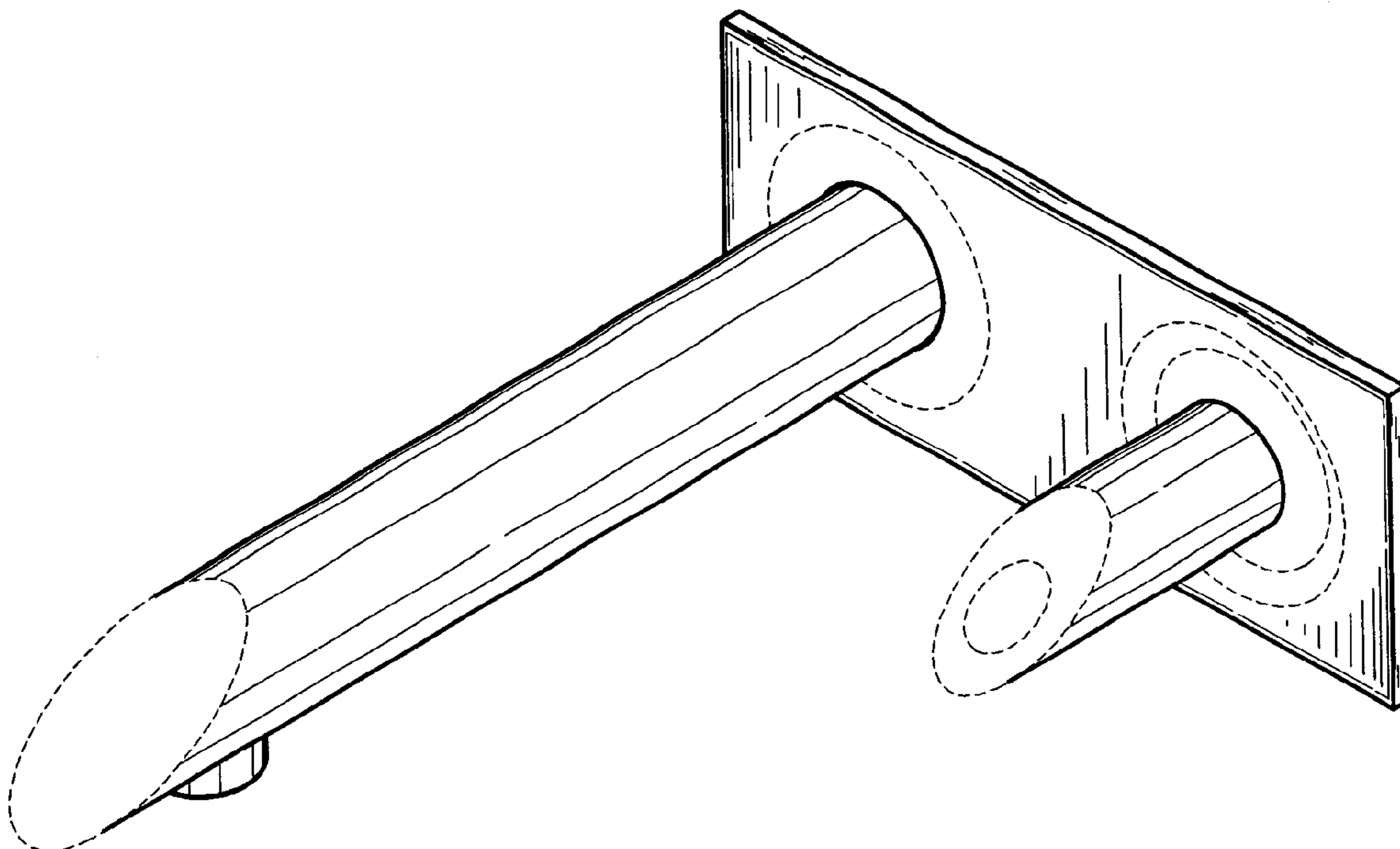
FIG. 5 is a bottom plan view thereof;

FIG. 6 is a left-side elevation view thereof; and,

FIG. 7 is a right-side elevation view thereof.

The broken lines in FIGS. 1–7 are for illustrative purposes only and form no part of the claimed design.

**1 Claim, 7 Drawing Sheets**



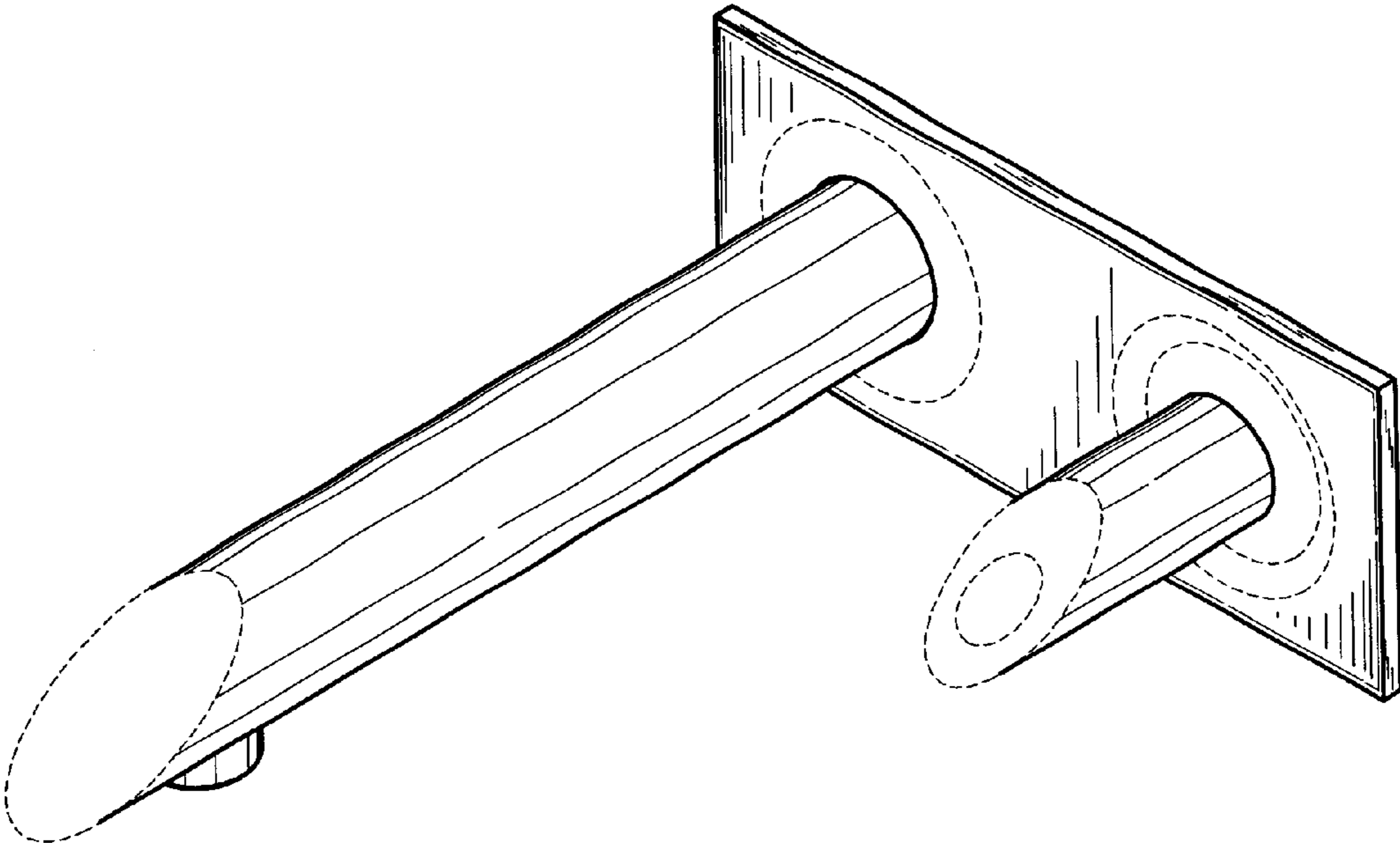
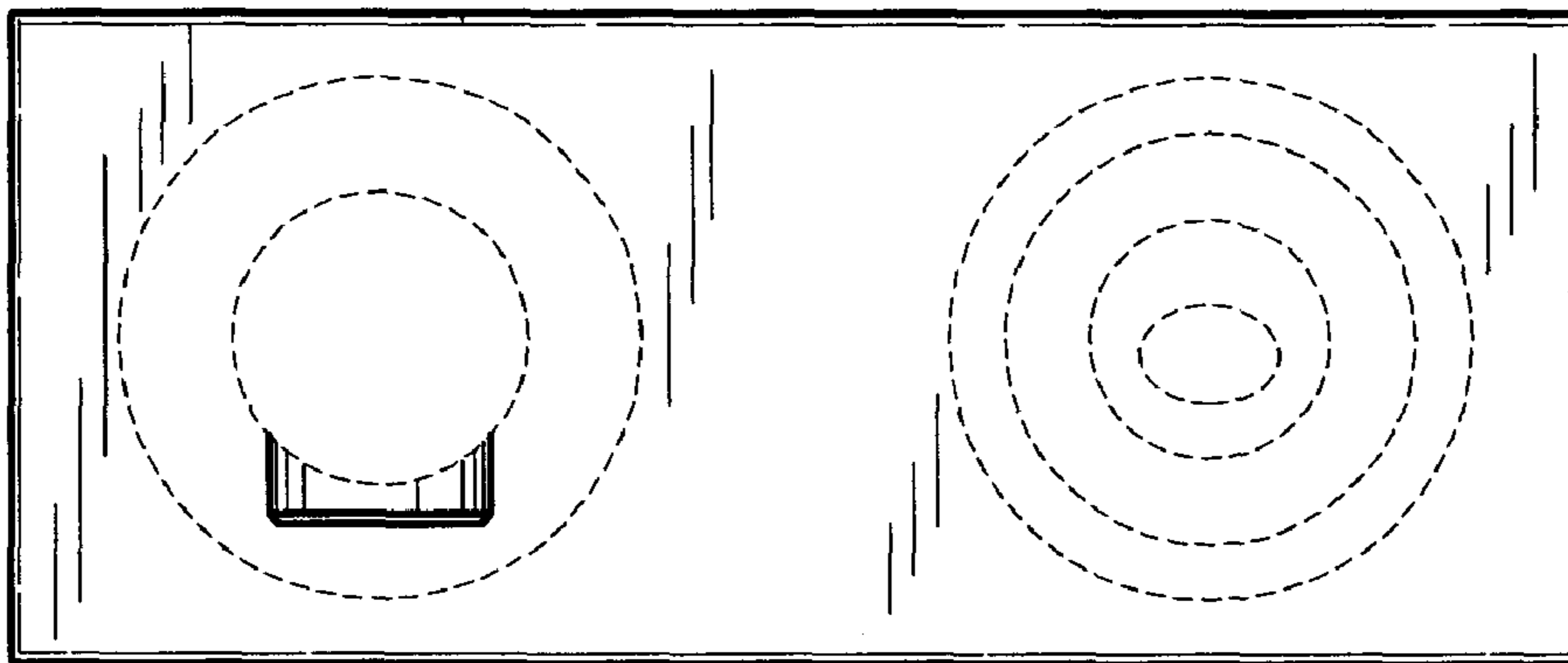
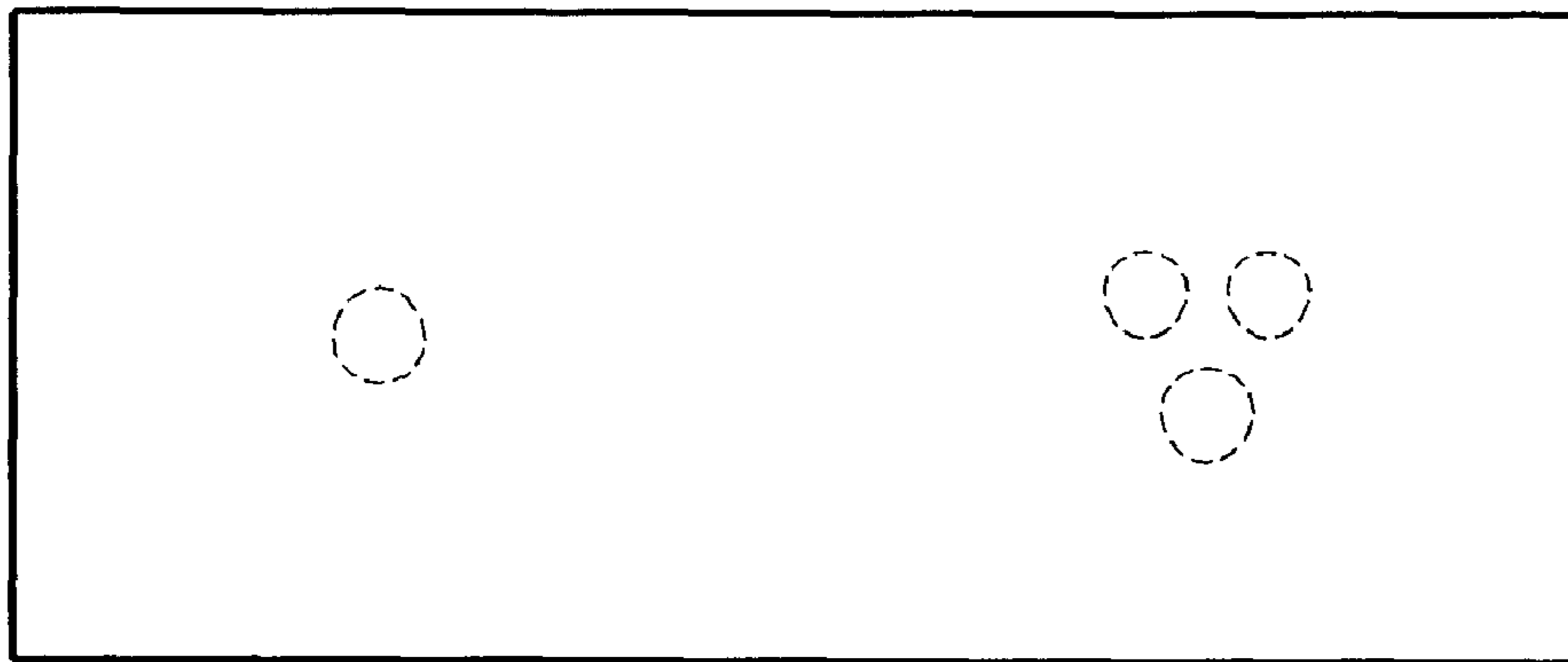


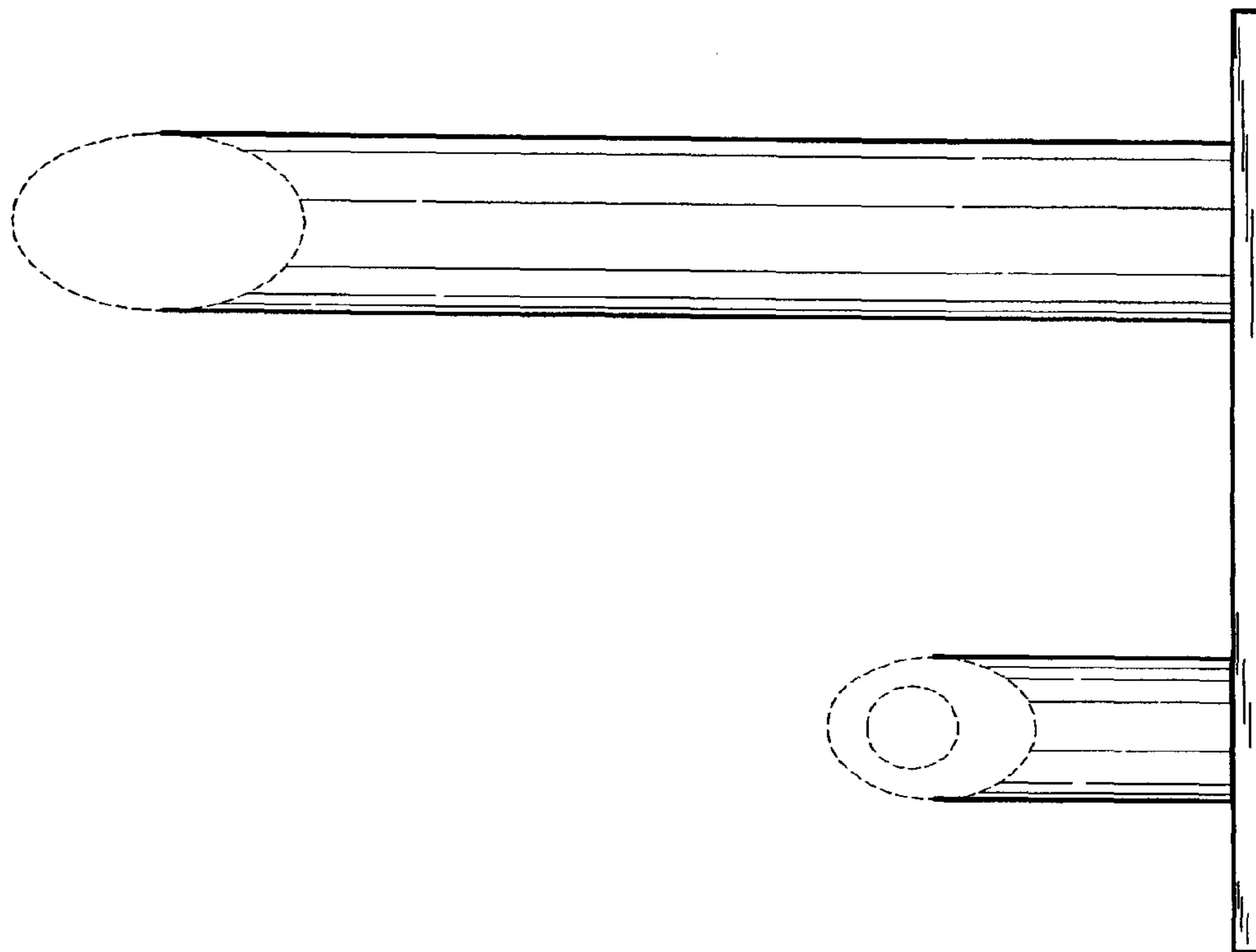
FIG. 1



**FIG. 2**



**FIG. 3**



**FIG. 4**

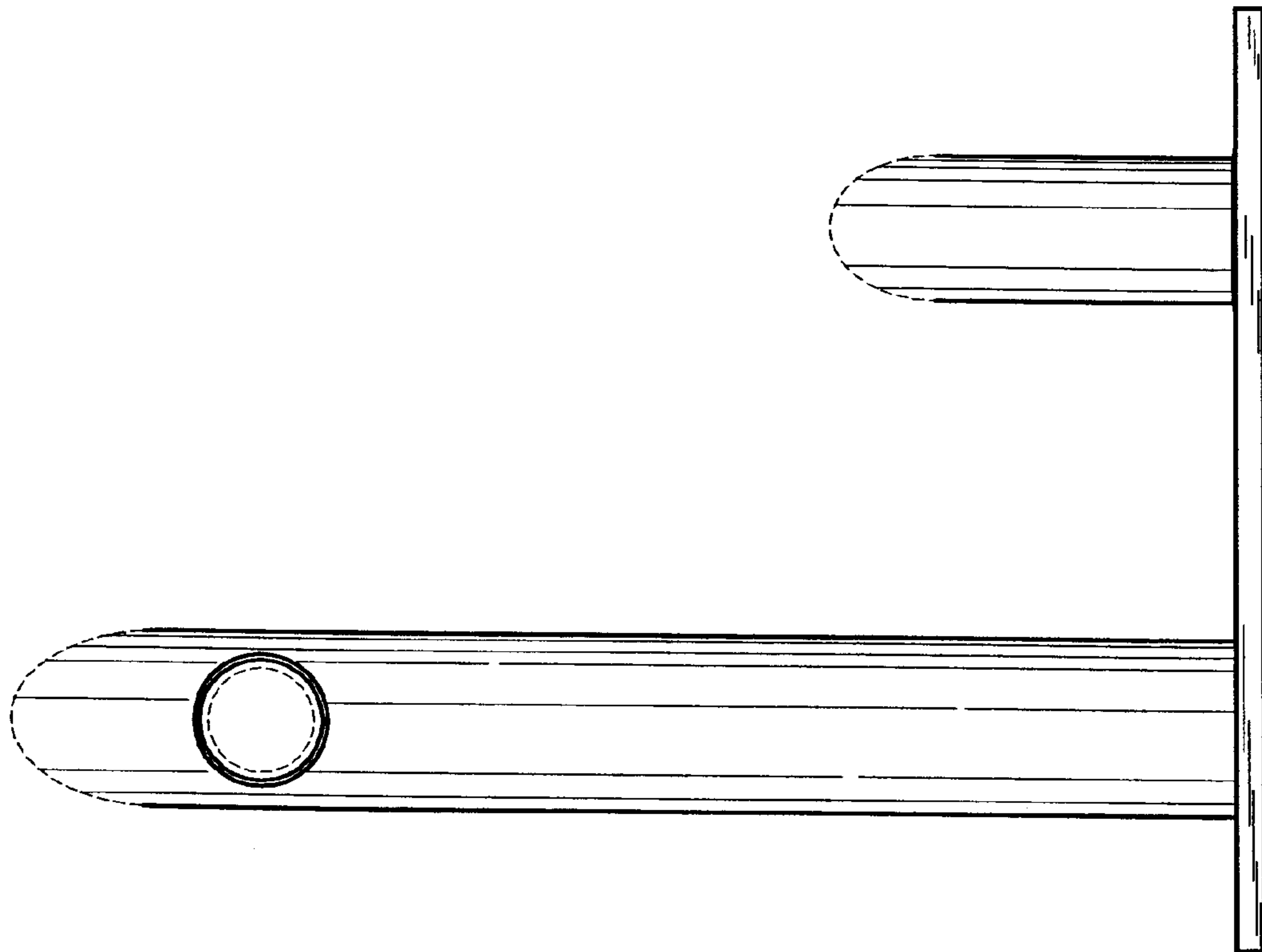


FIG. 5

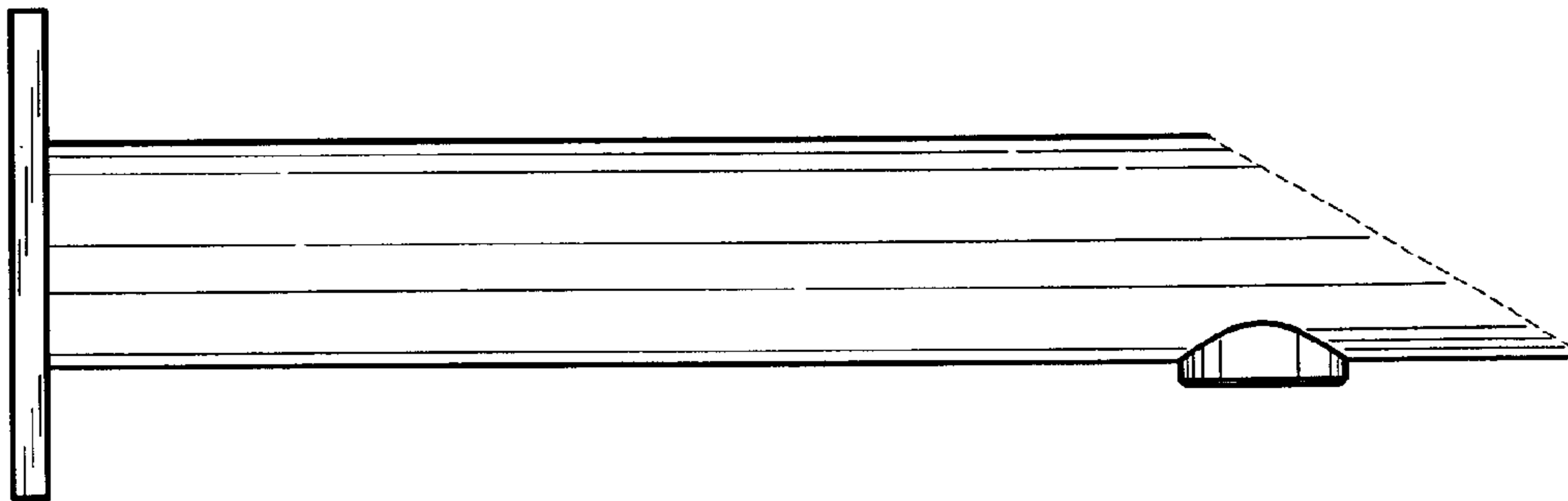
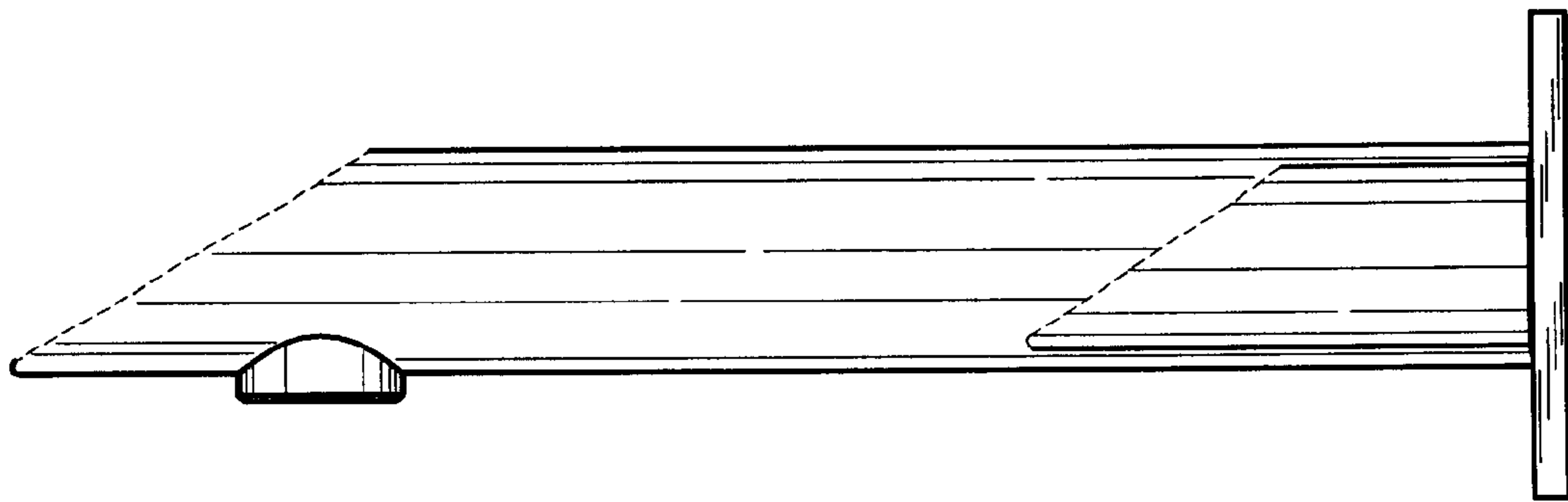


FIG. 6



**FIG. 7**