



US00D517165S

(12) **United States Design Patent**
Dmitruk et al.

(10) **Patent No.:** **US D517,165 S**
(45) **Date of Patent:** **** Mar. 14, 2006**

(54) **FAUCET**

(75) Inventors: **Svetlana Ivanovna Dmitruk**, Oak Park, IL (US); **Eric Thomas Malapanes**, Addison, IL (US)

(73) Assignee: **Geberit Technik AG**, Jona (CH)

(**) Term: **14 Years**

(21) Appl. No.: **29/209,456**

(22) Filed: **Jul. 16, 2004**

(51) **LOC (8) Cl.** **23-01**

(52) **U.S. Cl.** **D23/238**

(58) **Field of Classification Search** D23/238-257;
4/675-678; 137/801

See application file for complete search history.

(56) **References Cited**

U.S. PATENT DOCUMENTS

D348,508 S	*	7/1994	Yost	D23/238
D388,863 S	*	1/1998	Kolada	D23/238
D409,282 S	*	5/1999	Chapman	D23/238
D428,640 S	*	7/2000	Pitsch	D23/238

* cited by examiner

Primary Examiner—Louis S. Zarfes

Assistant Examiner—Gregory Andoll

(74) *Attorney, Agent, or Firm*—Reinhart Boerner Van Deuren S.C.

(57) **CLAIM**

The ornamental design for a faucet, as shown and described.

DESCRIPTION

FIG. 1 is an isometric view of the faucet of the present invention shown from the upper right;

FIG. 2 is a top plan view of the faucet illustrated in FIG. 1;

FIG. 3 is a front elevational view of the faucet illustrated in FIGS. 1 and 2;

FIG. 4 is a right side elevational view of the faucet illustrated in FIGS. 1 through 3, the left side being a mirror image thereof;

FIG. 5 is a rear elevational view of the faucet illustrated in FIGS. 1 through 4; and,

FIG. 6 is a bottom plan view of the faucet illustrated in FIGS. 1 through 5.

The broken lines in the Figures are for illustrative purposes only and form no part of the claimed design.

1 Claim, 2 Drawing Sheets

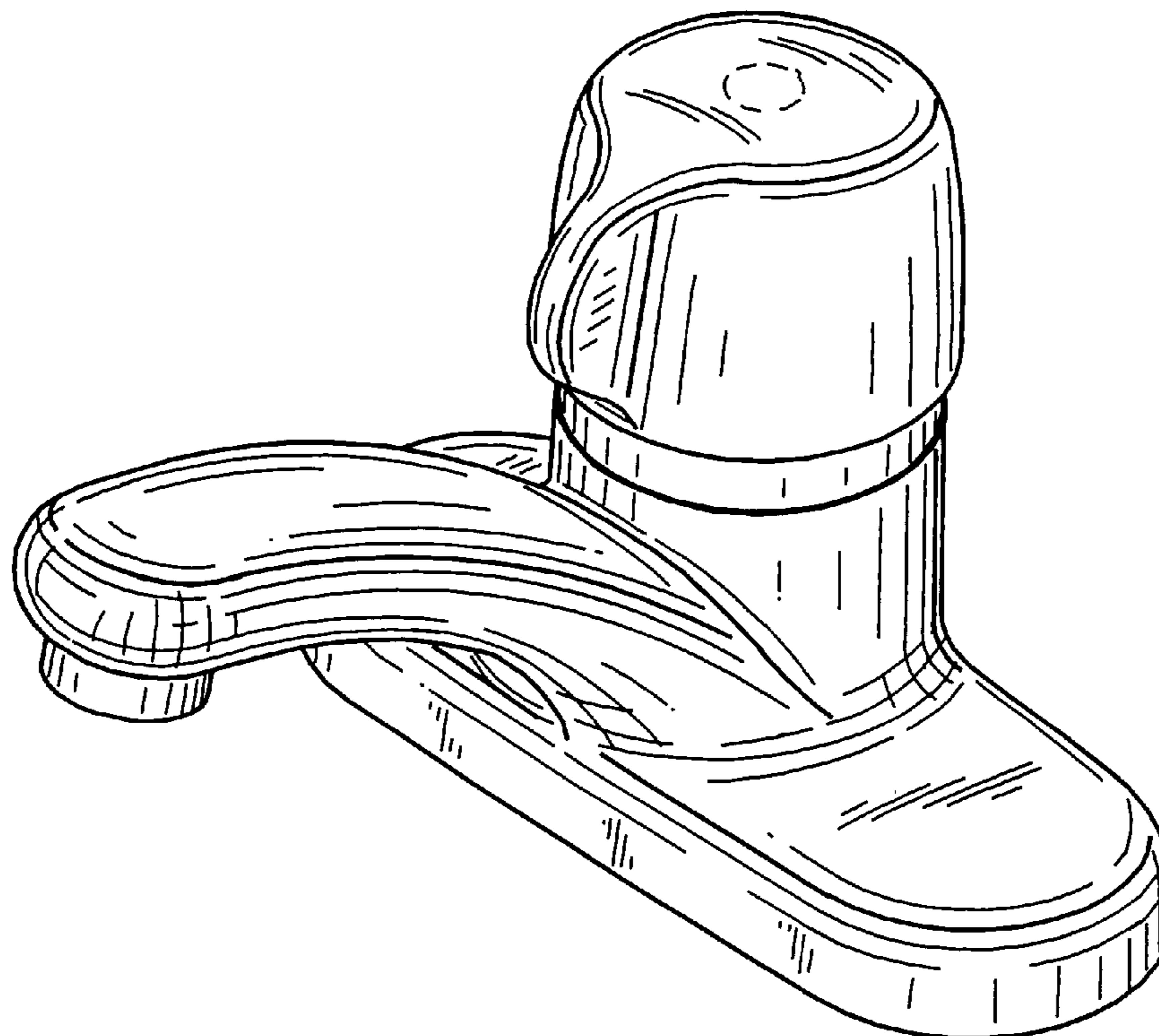


FIG. 1

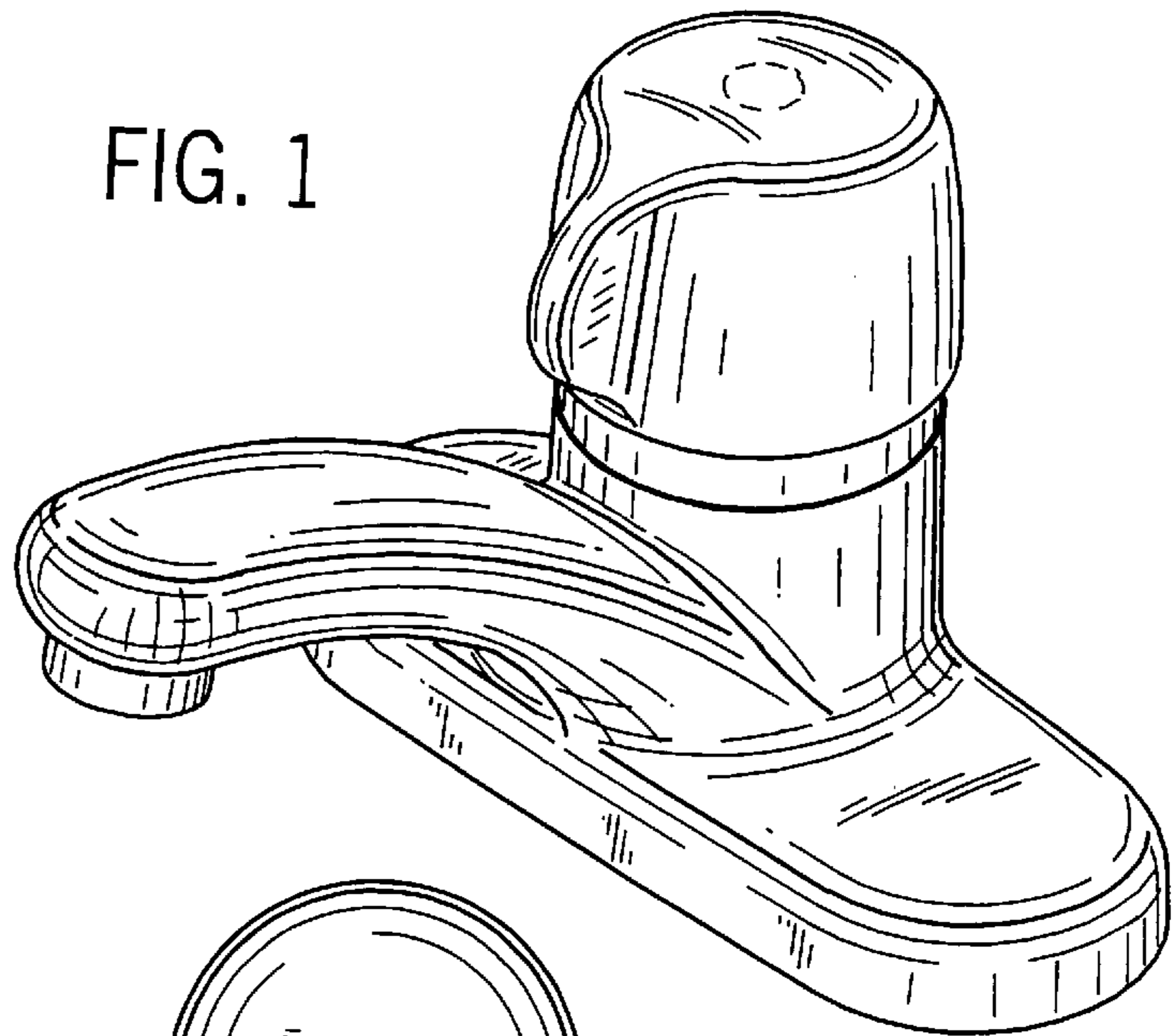


FIG. 2

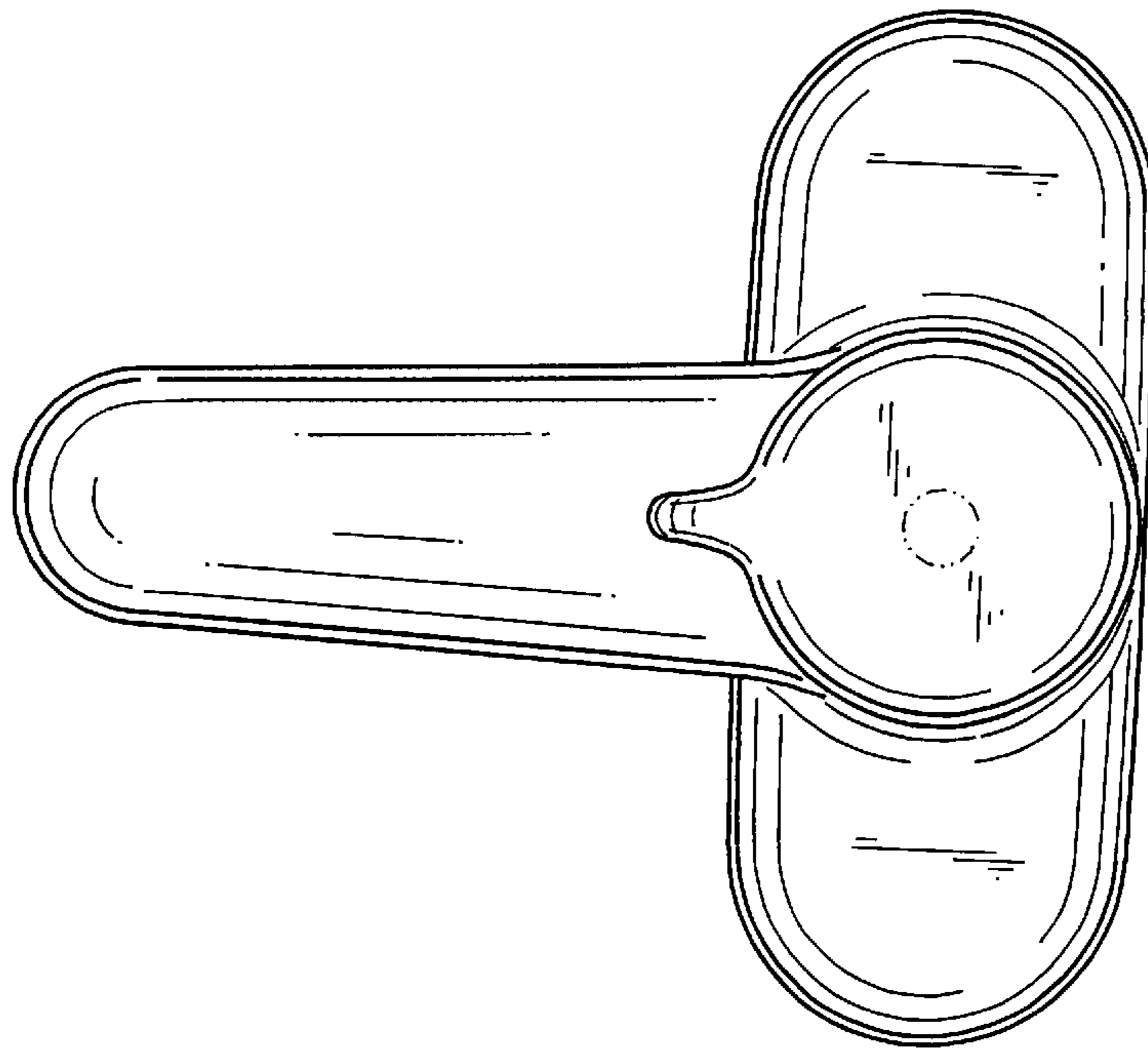
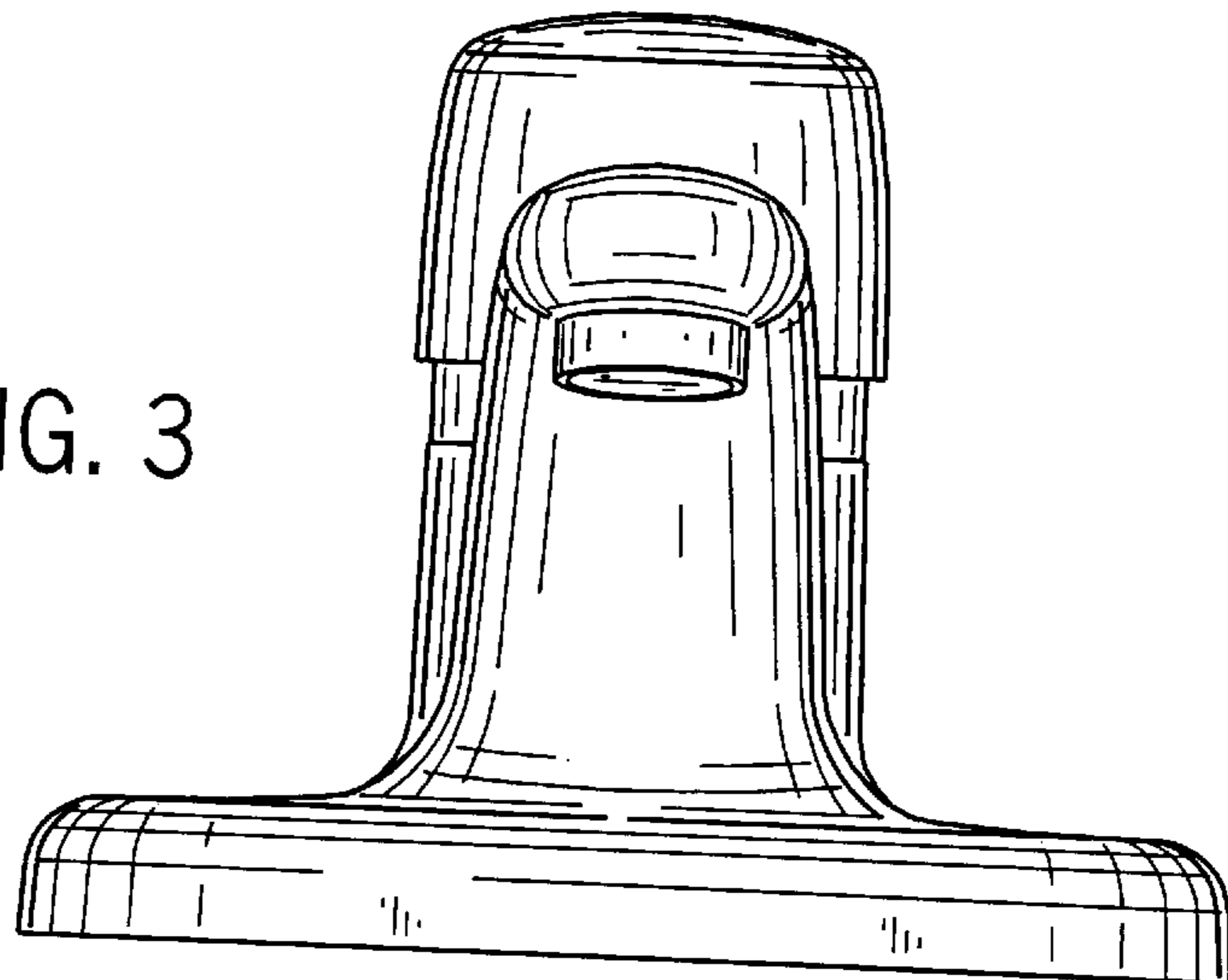


FIG. 3



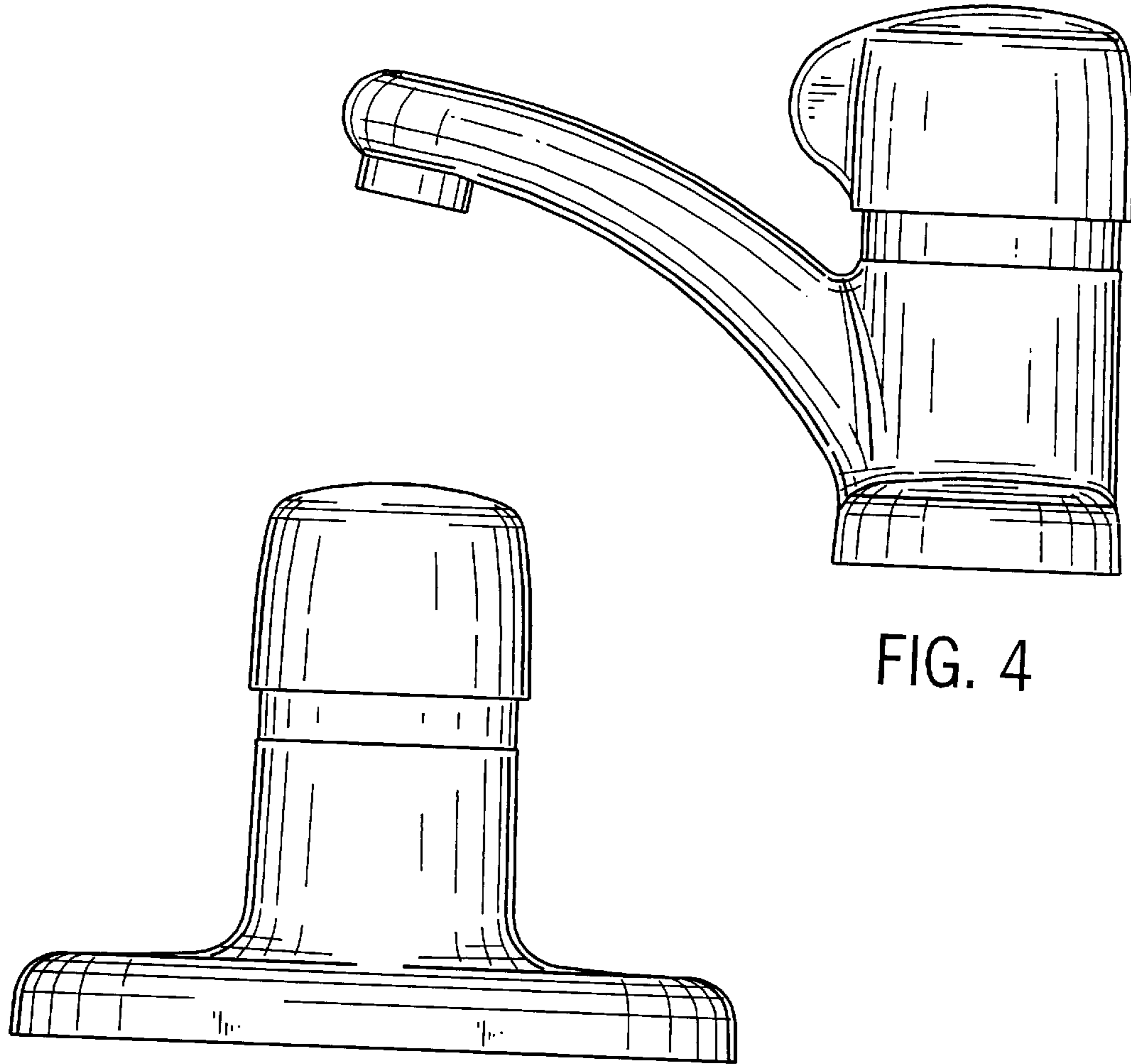


FIG. 4

FIG. 5

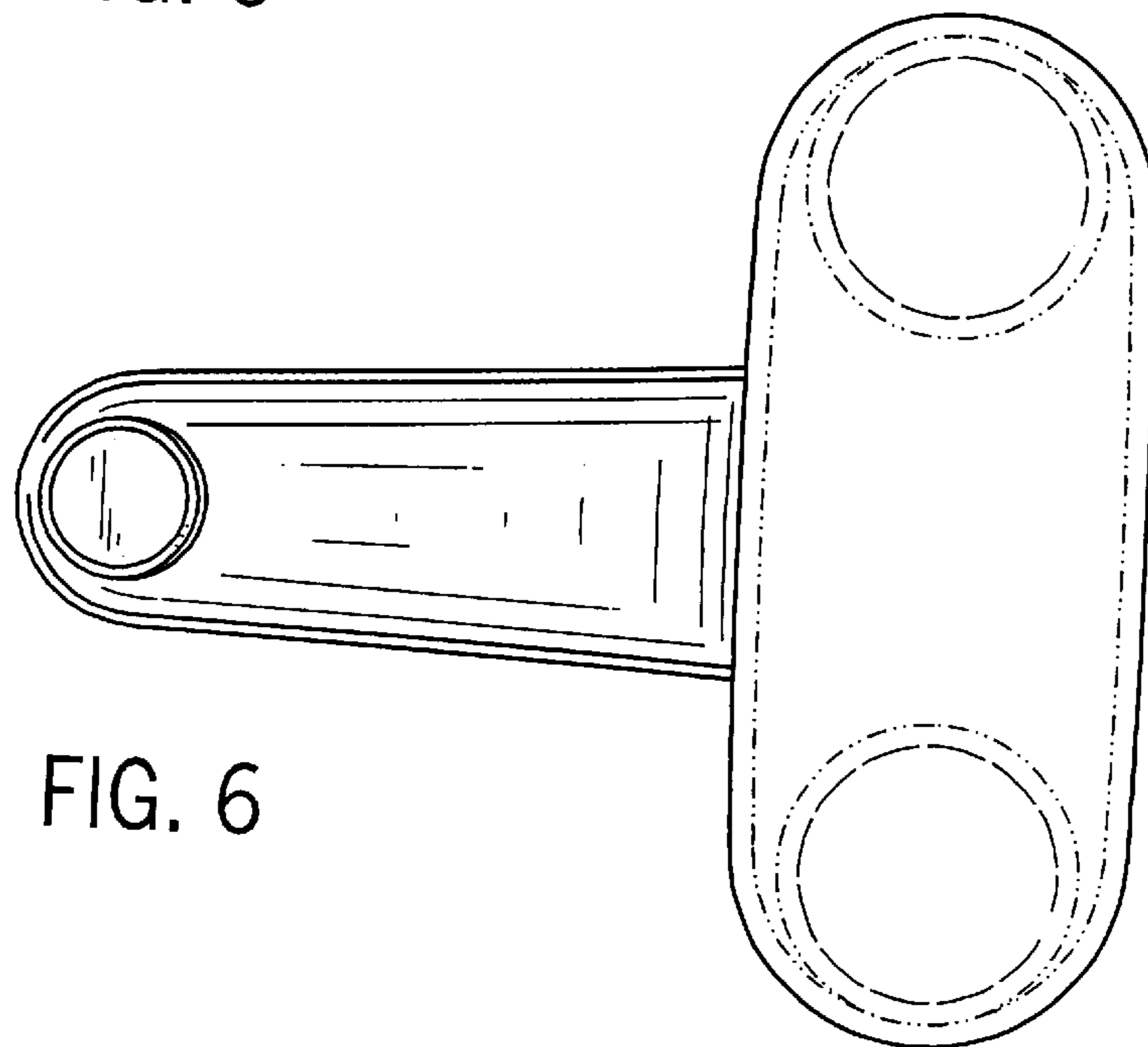


FIG. 6