



US00D517164S

(12) **United States Design Patent**
Lee

(10) **Patent No.:** **US D517,164 S**
(45) **Date of Patent:** **** Mar. 14, 2006**

(54) **WATER SPRAY NOZZLE**

D496,987 S * 10/2004 Glunk D23/213

(75) Inventor: **Chin-Tsai Lee**, Changhua Hsien (TW)

* cited by examiner

(73) Assignee: **Ching Shenger Co., Ltd.**, Hsien Hsi Hsiang (TW)

Primary Examiner—Robin V. Taylor

(74) *Attorney, Agent, or Firm*—Alan D. Kamrath; Nikolai & Mersereau, P.A.

(**) Term: **14 Years**

(57) **CLAIM**

(21) Appl. No.: **29/213,585**

The ornamental design for a water spray nozzle, as shown and described.

(22) Filed: **Sep. 20, 2004**

DESCRIPTION

(51) **LOC (8) Cl.** **23-01**

(52) **U.S. Cl.** **D23/213**

(58) **Field of Classification Search** D23/213,
D23/229, 230, 223; 239/282, 283

See application file for complete search history.

FIG. 1 is a perspective view of a water spray nozzle showing my design;

FIG. 2 is a front elevational view thereof;

FIG. 3 is a rear elevational view thereof;

FIG. 4 is a left side elevational view thereof;

FIG. 5 is a right side elevational view thereof;

FIG. 6 is a top plan view thereof; and,

FIG. 7 is a bottom plan view thereof.

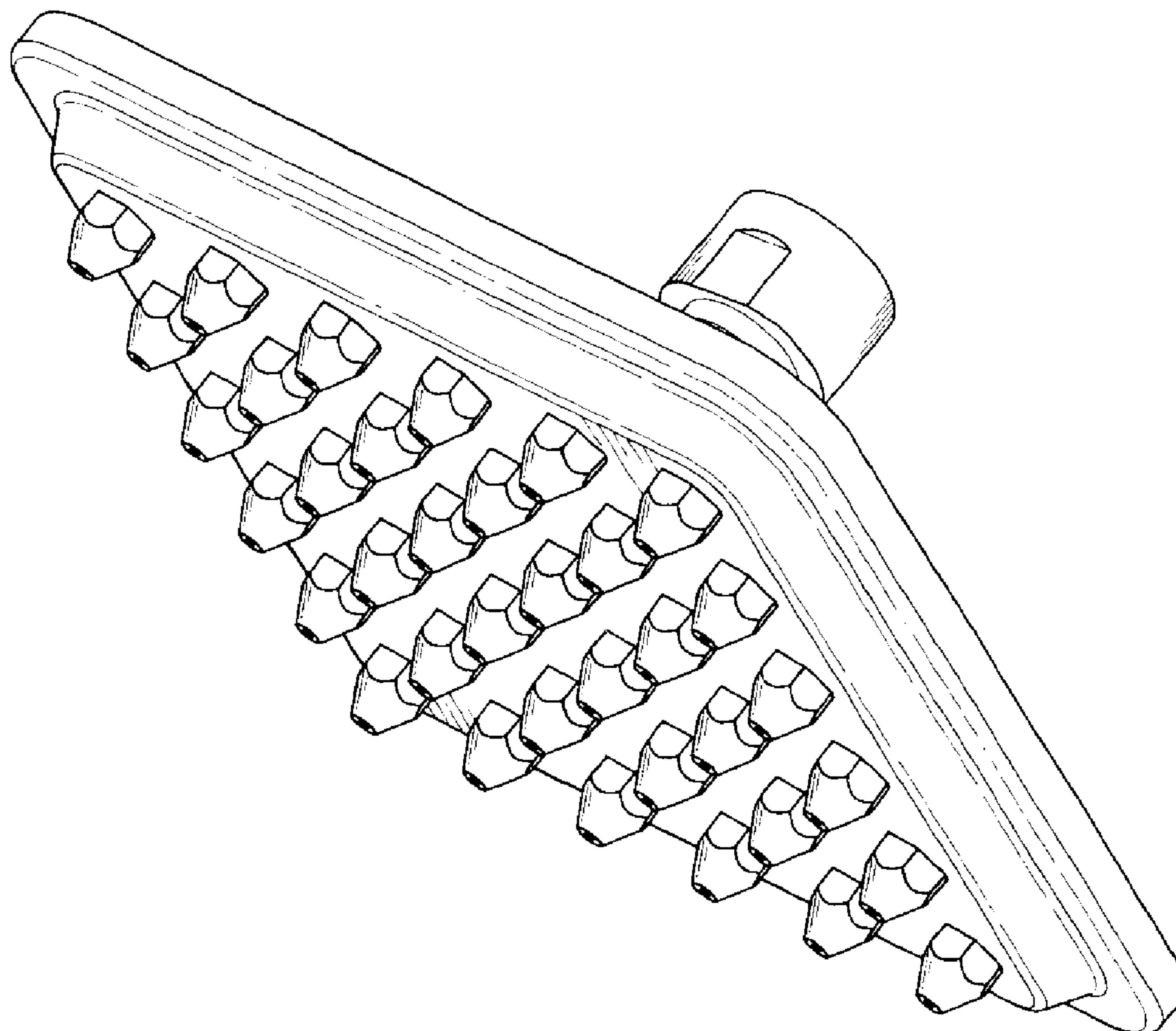
(56) **References Cited**

U.S. PATENT DOCUMENTS

D346,428 S * 4/1994 Warshawsky D23/213

D461,525 S * 8/2002 Lai D23/229

1 Claim, 4 Drawing Sheets



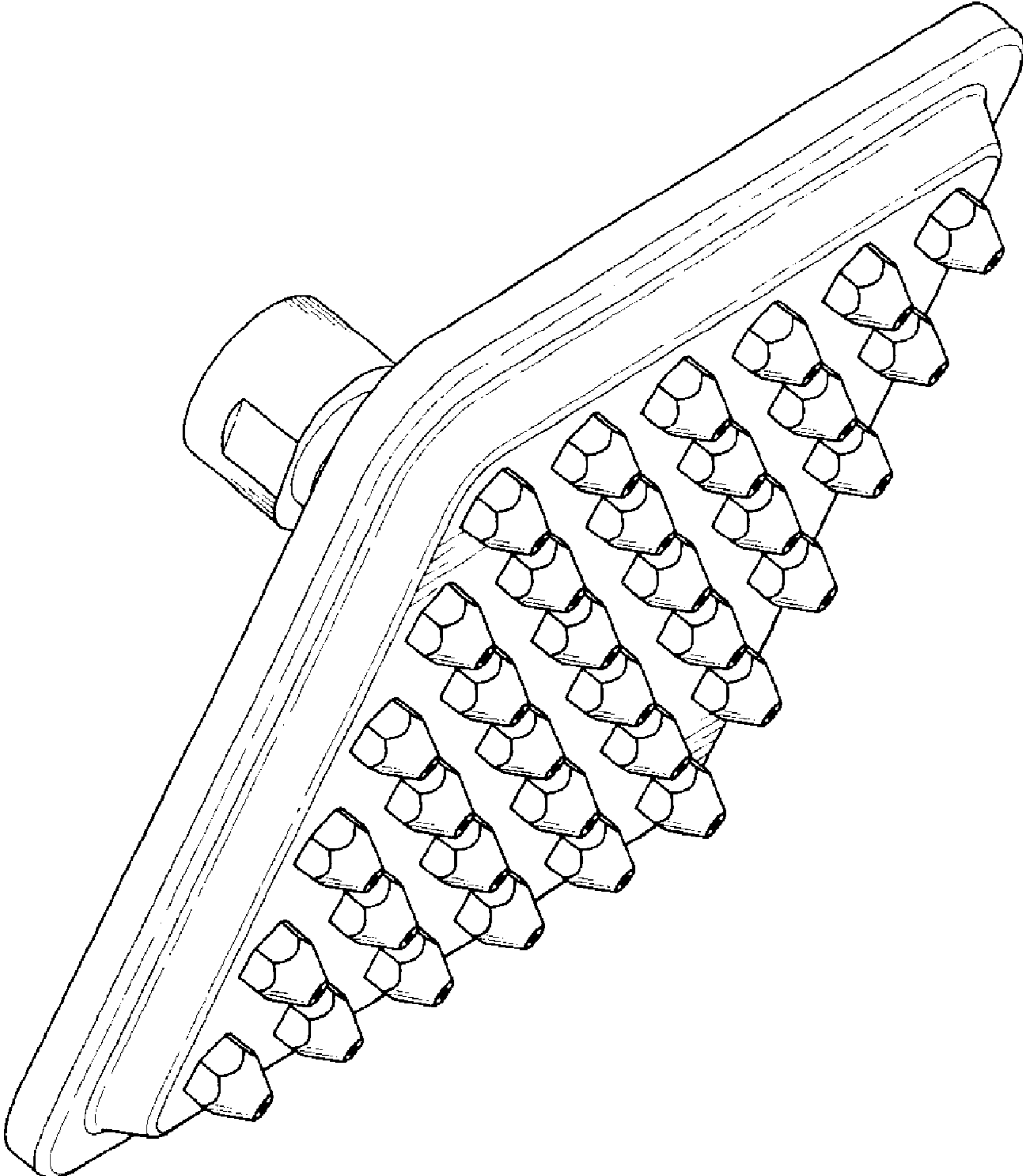


FIG. 1

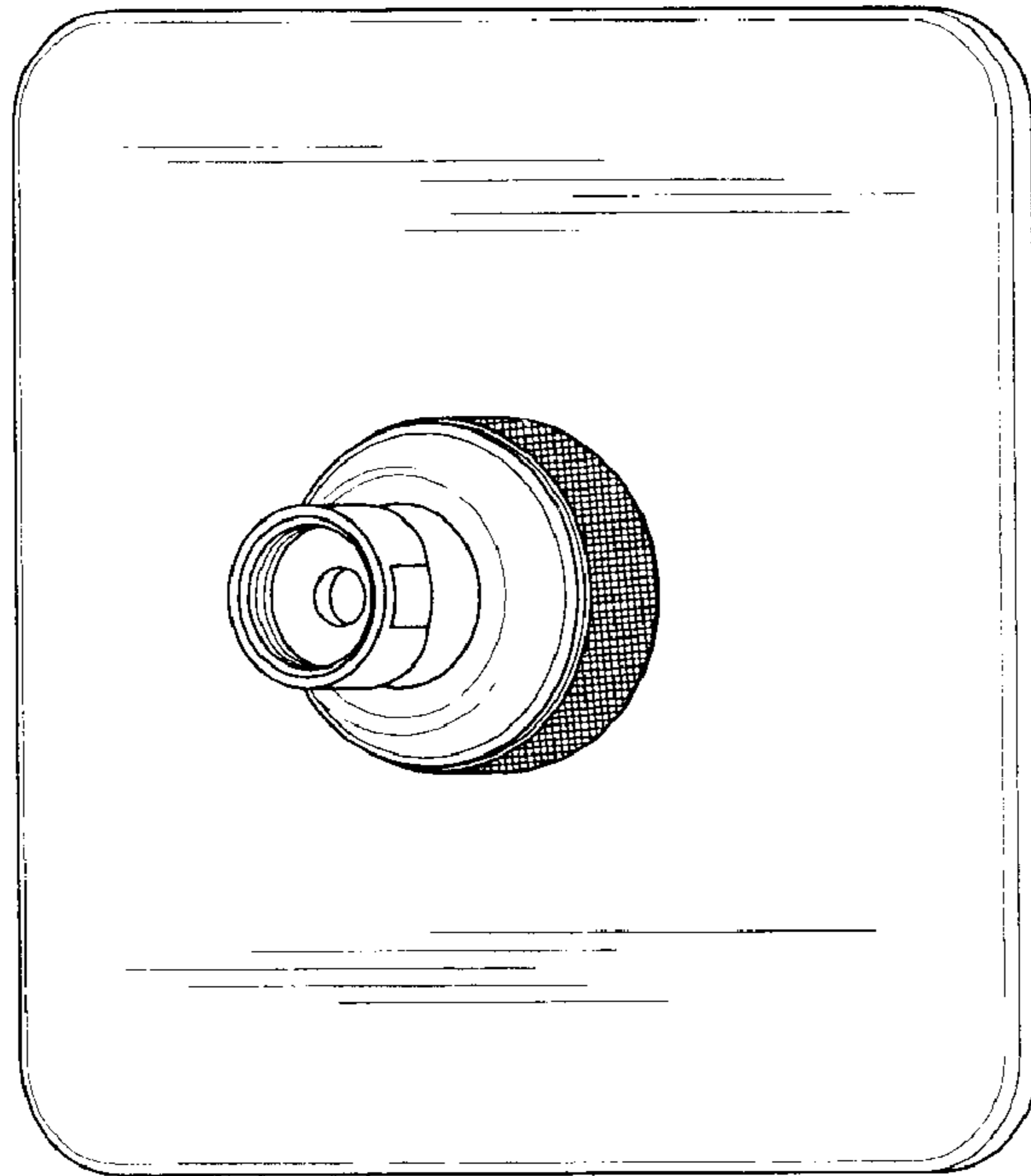


FIG. 3

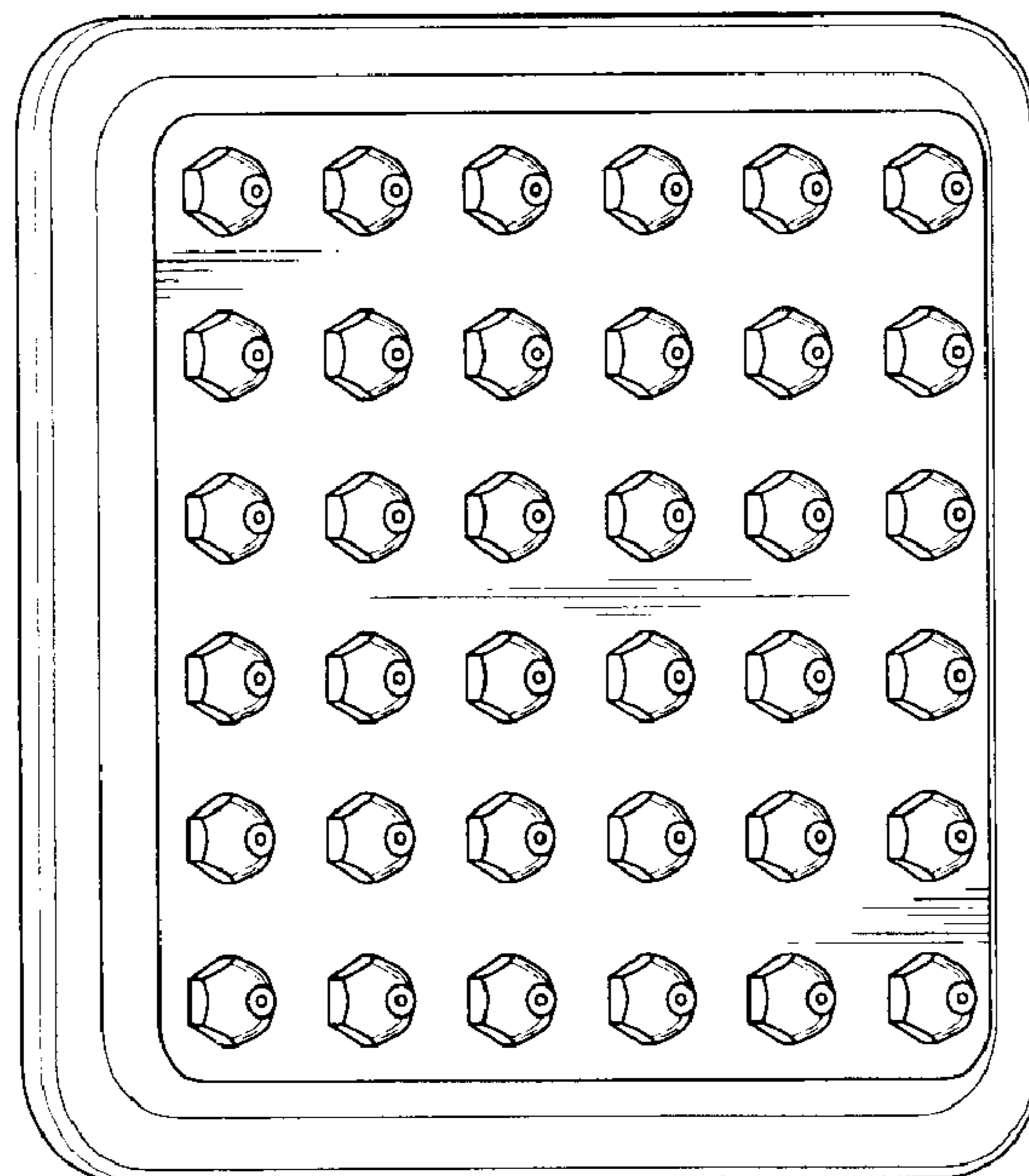


FIG. 2

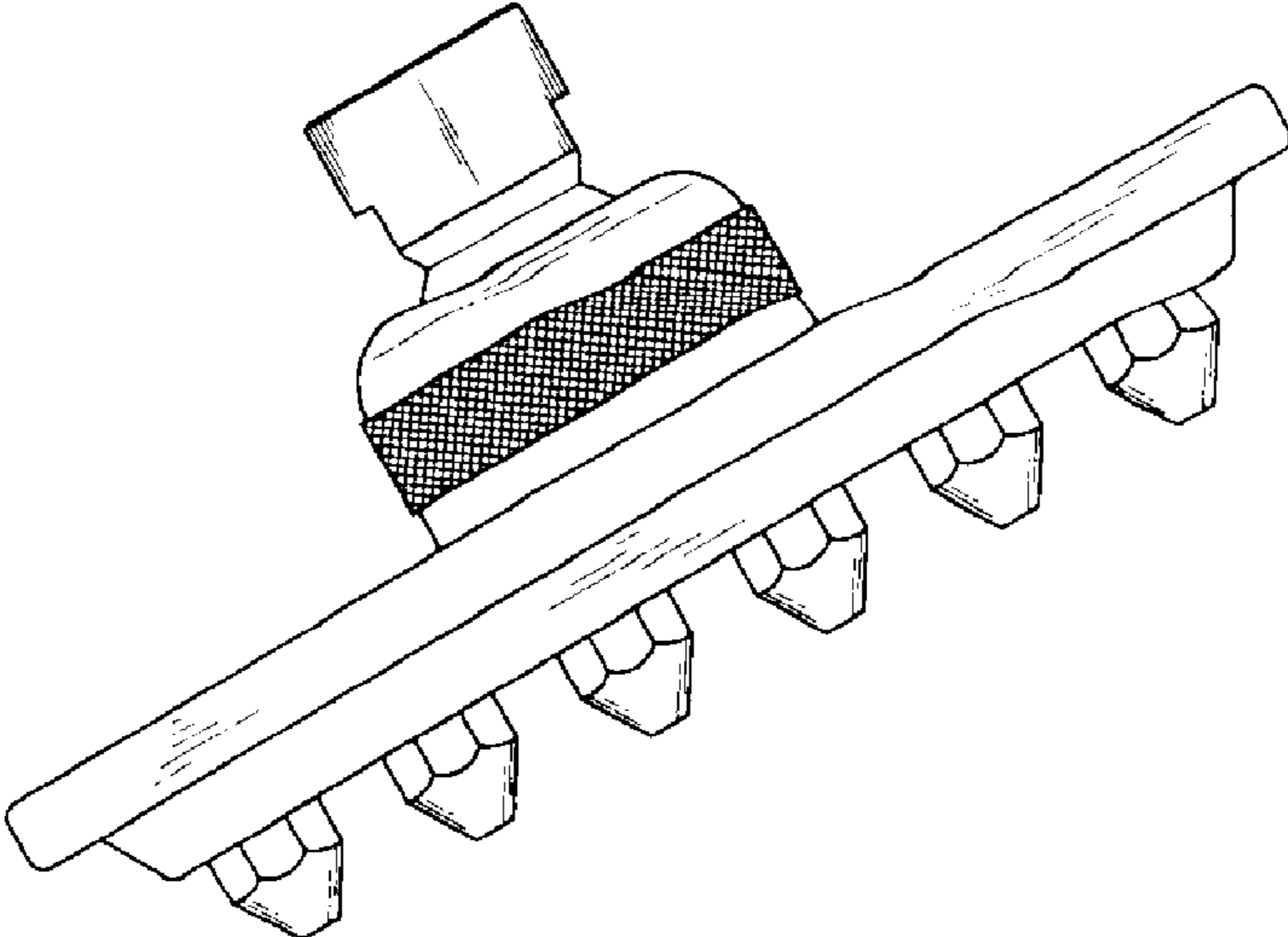


FIG. 5

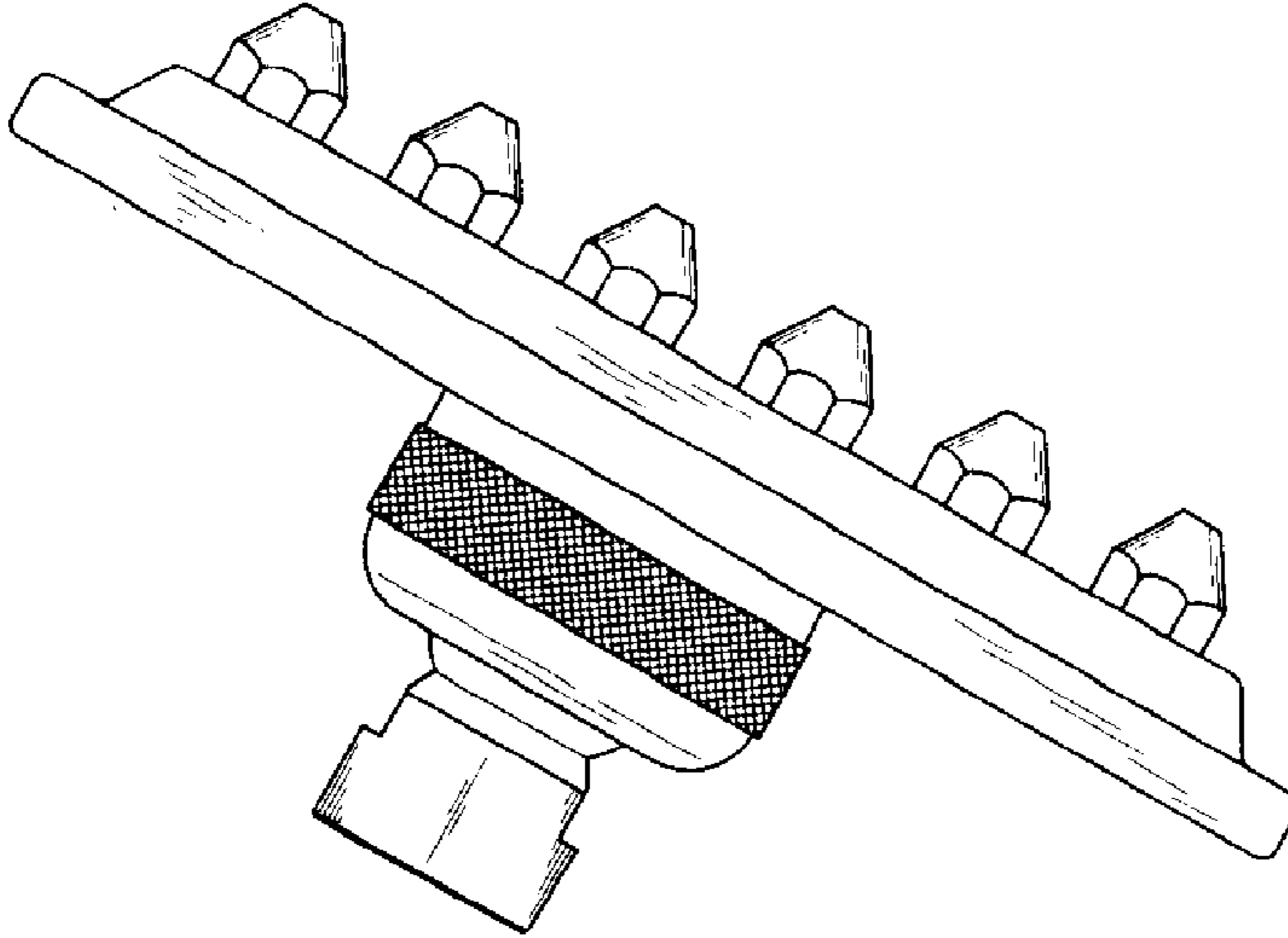


FIG. 4

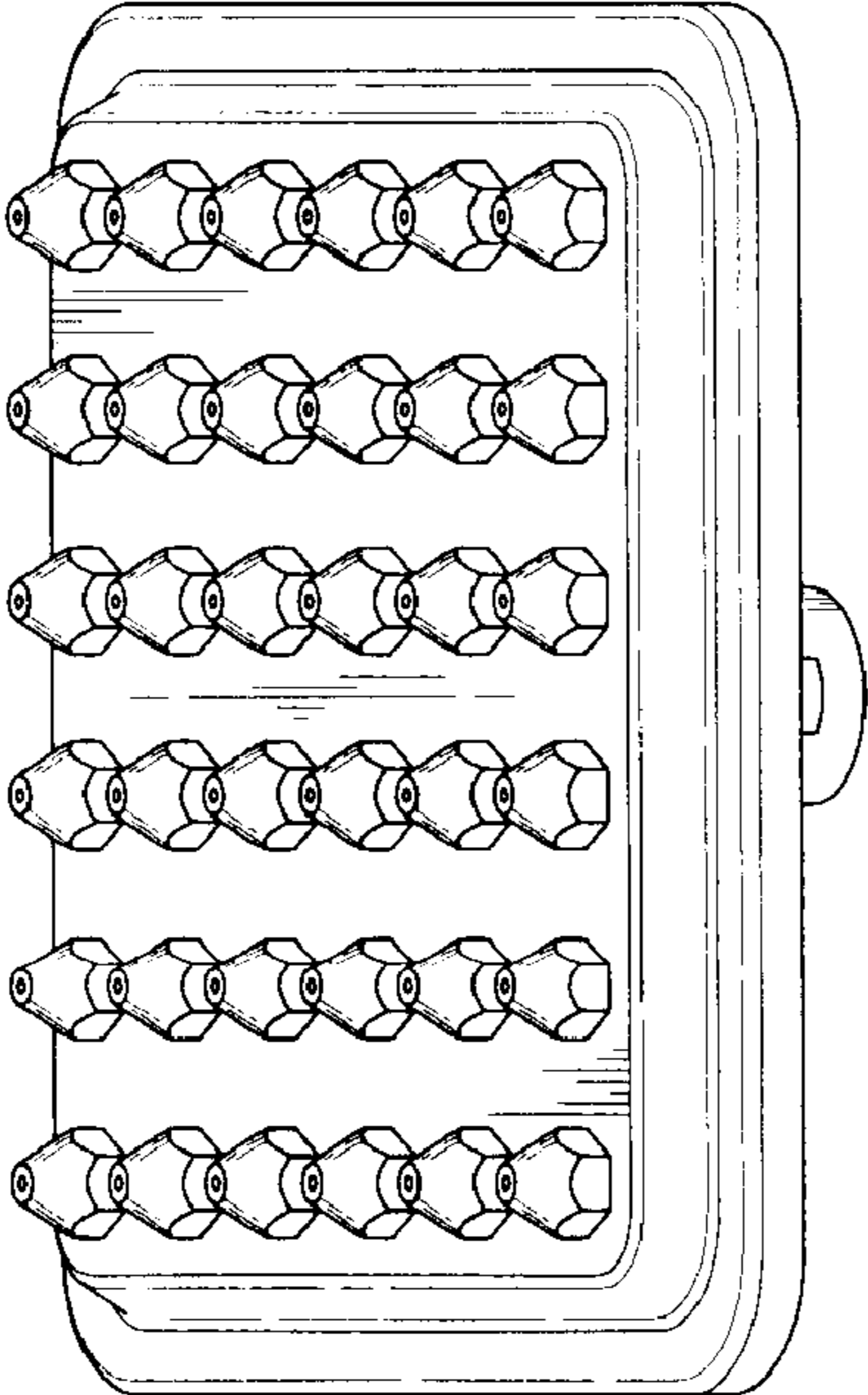


FIG. 7

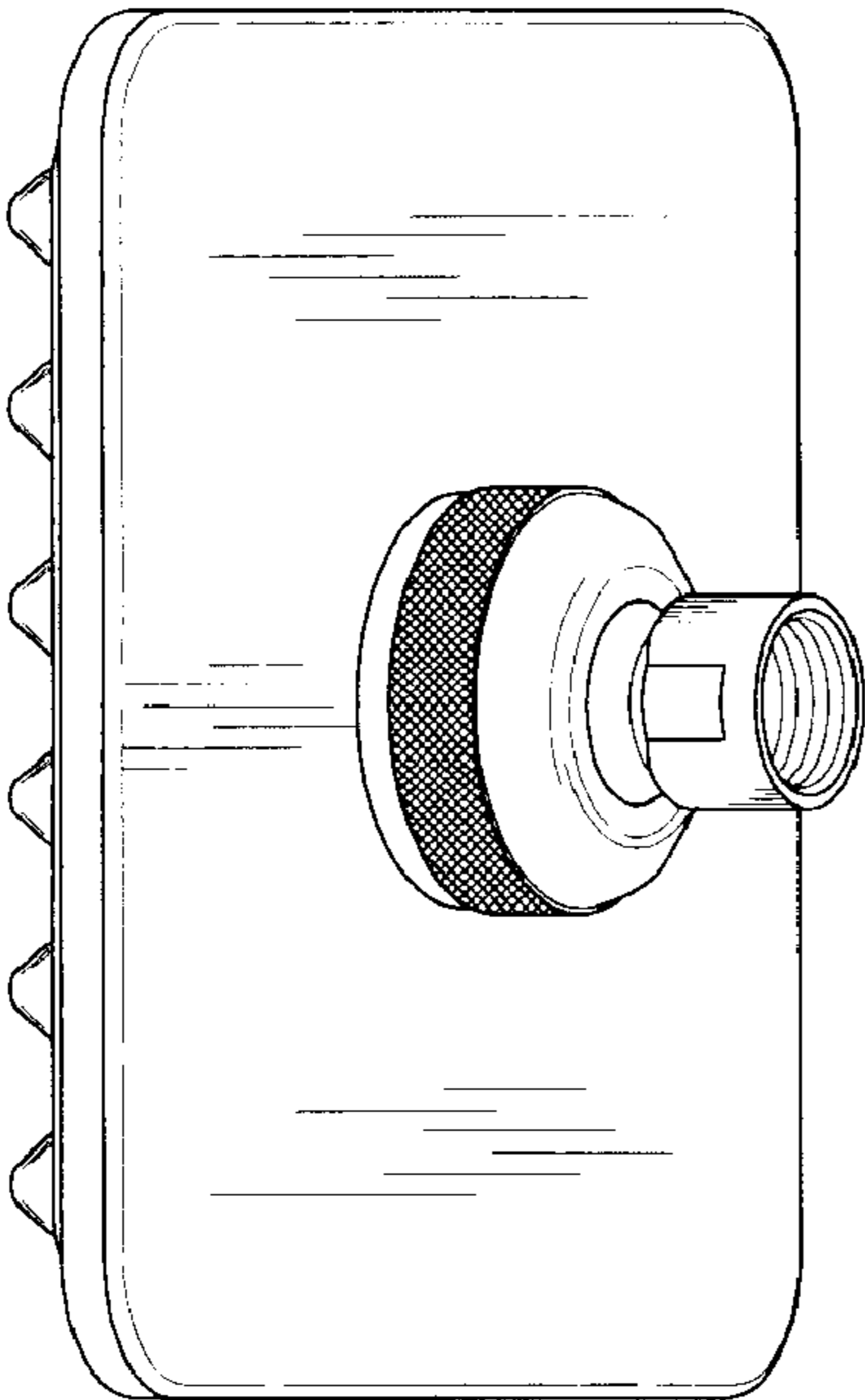


FIG. 6