

US00D517160S

(12) **United States Design Patent**
Greening

(10) **Patent No.:** **US D517,160 S**
(45) **Date of Patent:** **** Mar. 14, 2006**

(54) **FLYING INSECT TRAP**

D498,286 S * 11/2004 Loerakker et al. D22/122

(75) Inventor: **John Llewellyn Greening**, Kinlet (GB)

* cited by examiner

(73) Assignee: **Killgerm Group Limited**, West Yorkshire (GB)

Primary Examiner—Catherine R. Oliver
(74) *Attorney, Agent, or Firm*—Daniel S. Polley, P.A.

(**) Term: **14 Years**

(57) **CLAIM**

The ornamental design for a flying insect trap, as shown and described.

(21) Appl. No.: **29/215,280**

(22) Filed: **Oct. 15, 2004**

DESCRIPTION

(51) **LOC (8) Cl.** **22-06**

(52) **U.S. Cl.** **D22/123**

(58) **Field of Classification Search** D22/119–125;
43/112–114, 131, 132.1, 121, 107; D23/341,
D23/332

FIG. 1 is a front view of the present invention;
FIG. 2 is a rear view of the present invention
FIG. 3 is a right side view of the present invention;
FIG. 4 is a left side view of the present invention;
FIG. 5 is a top view of the present invention;
FIG. 6 is a bottom view of the present invention;
FIG. 7 is a perspective view of the rear cover of the present invention;
FIG. 8 is a perspective view showing the present invention attached to a wall of a room; and,
FIG. 9 is a perspective view of the present invention.
The broken line showing of environment in the drawings is for illustrative purposes only and forms no part of the claimed design.

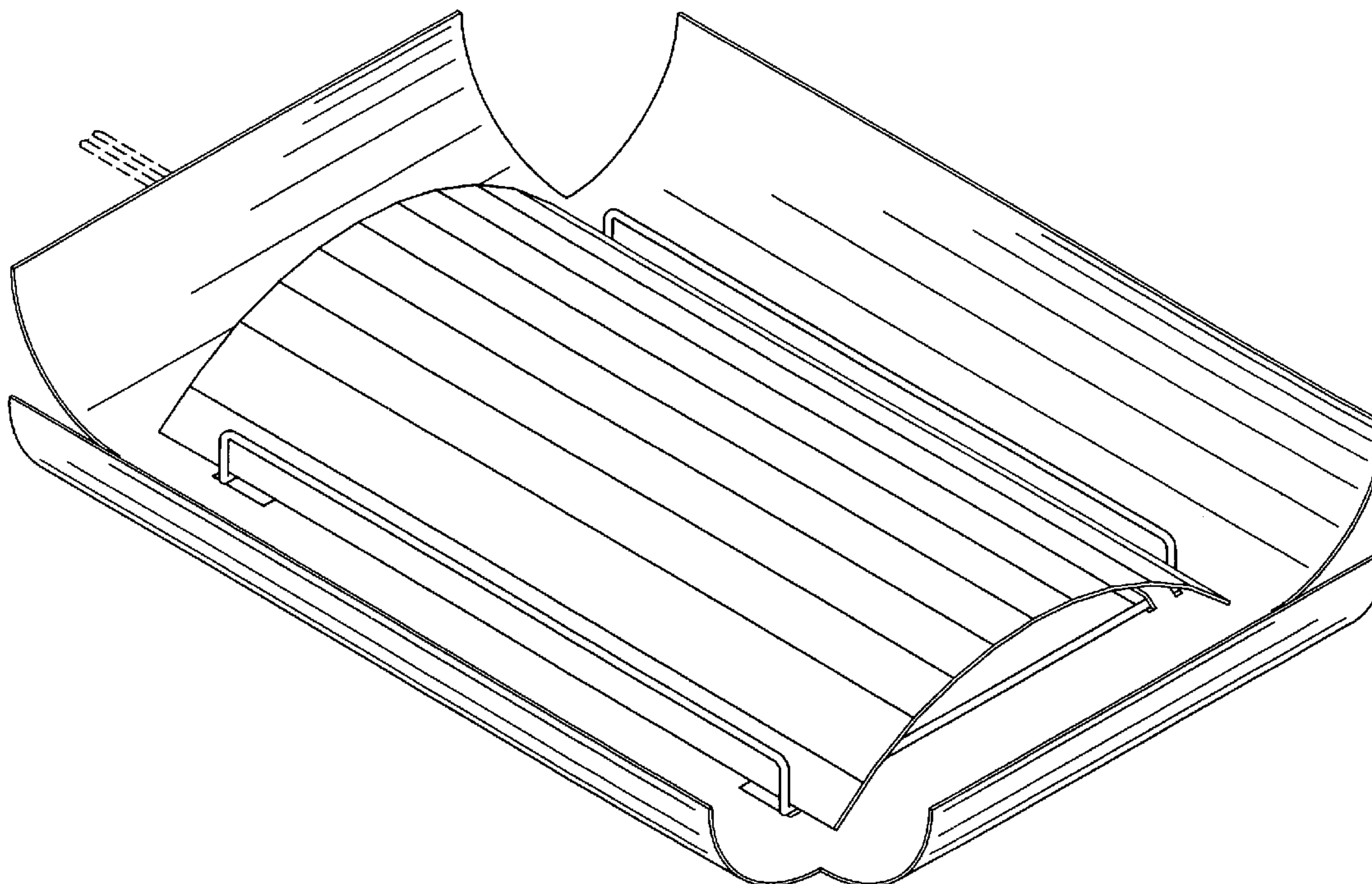
See application file for complete search history.

(56) **References Cited**

U.S. PATENT DOCUMENTS

- D325,954 S * 5/1992 Lazzeroni et al. D22/123
- D365,379 S * 12/1995 Nayler et al. D22/123
- D374,056 S * 9/1996 Demarest et al. D22/122
- D443,913 S * 6/2001 Aiello D22/123
- D450,802 S * 11/2001 Aiello D22/123
- D496,089 S * 9/2004 Lambert et al. D22/122

1 Claim, 7 Drawing Sheets



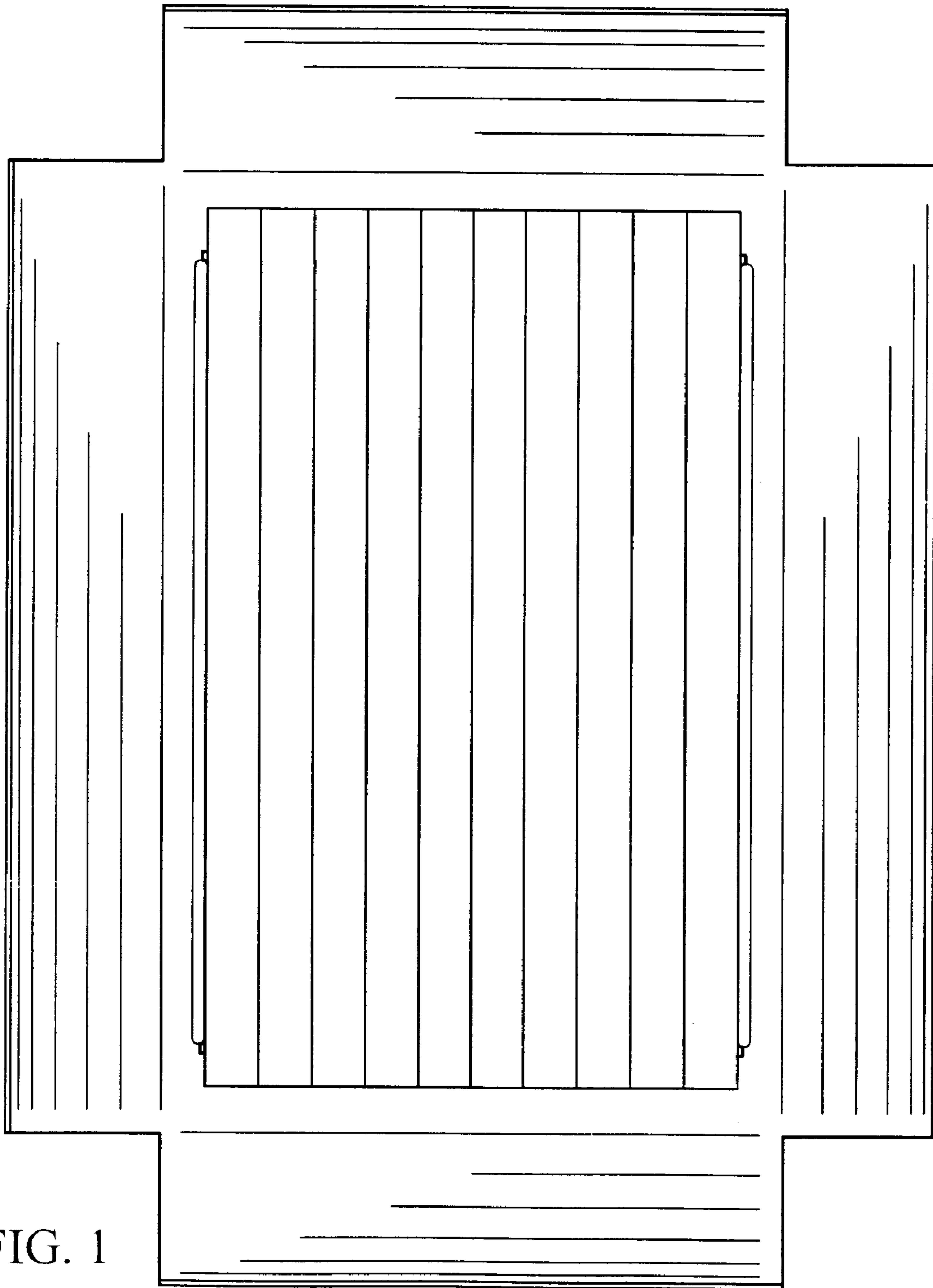


FIG. 1

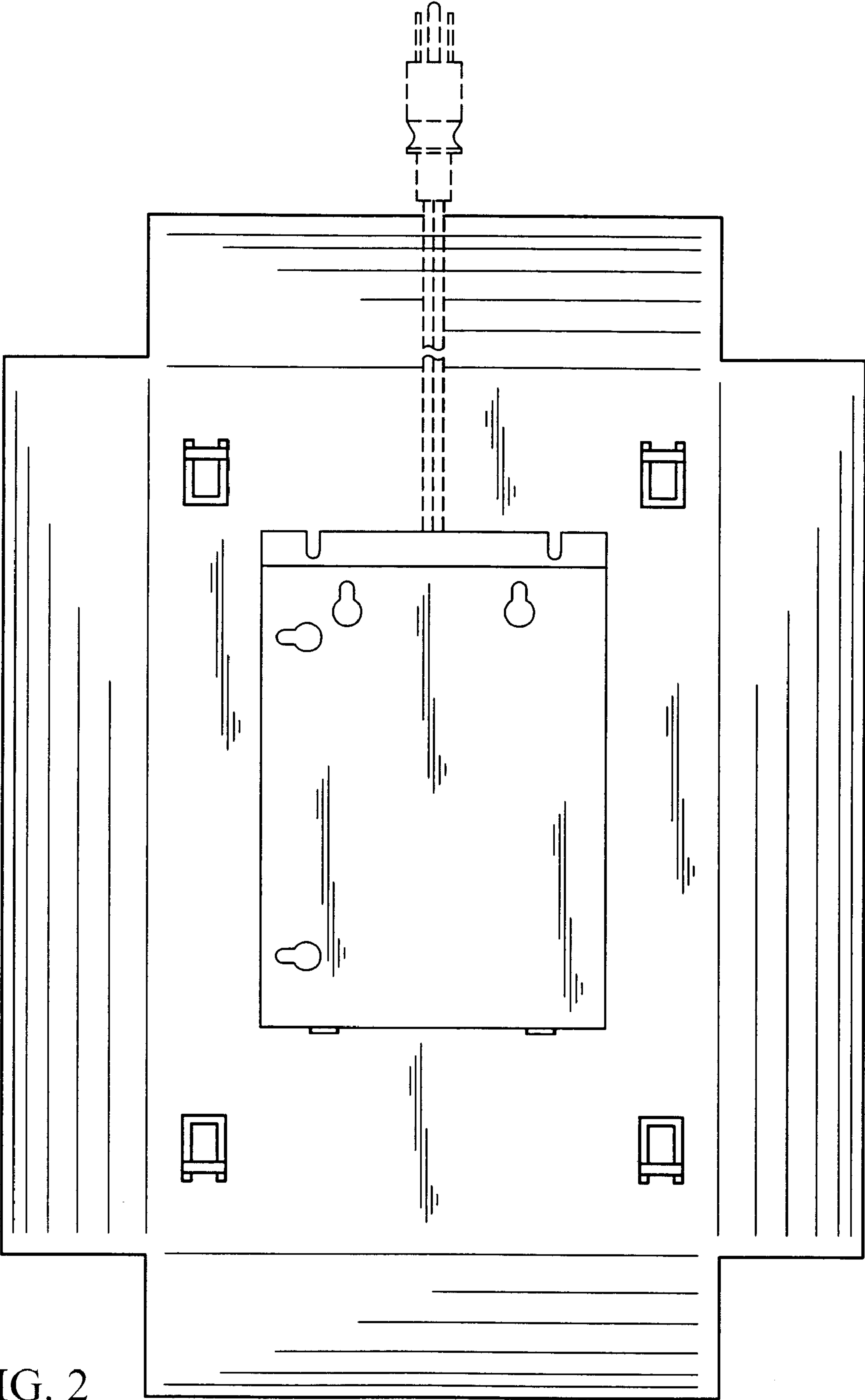


FIG. 2

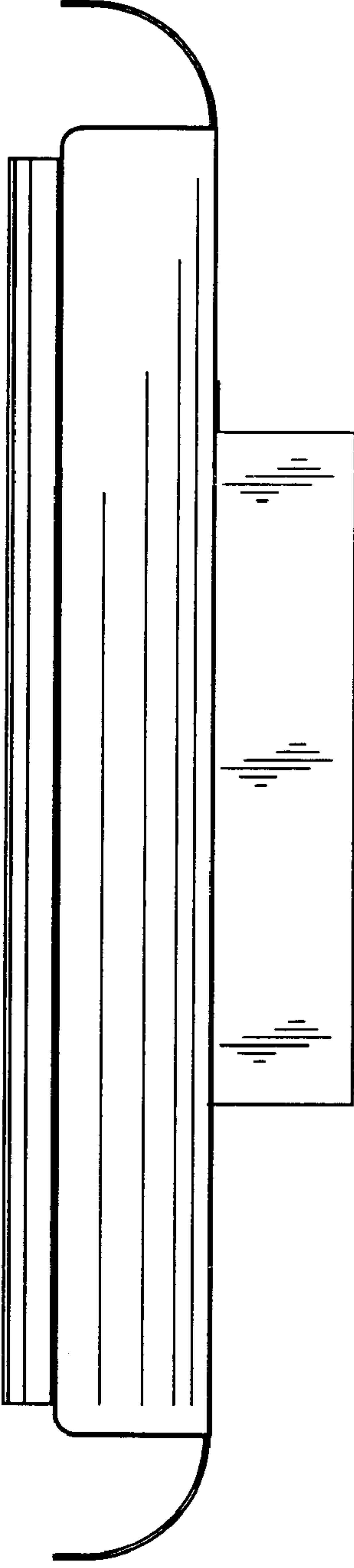


FIG. 3

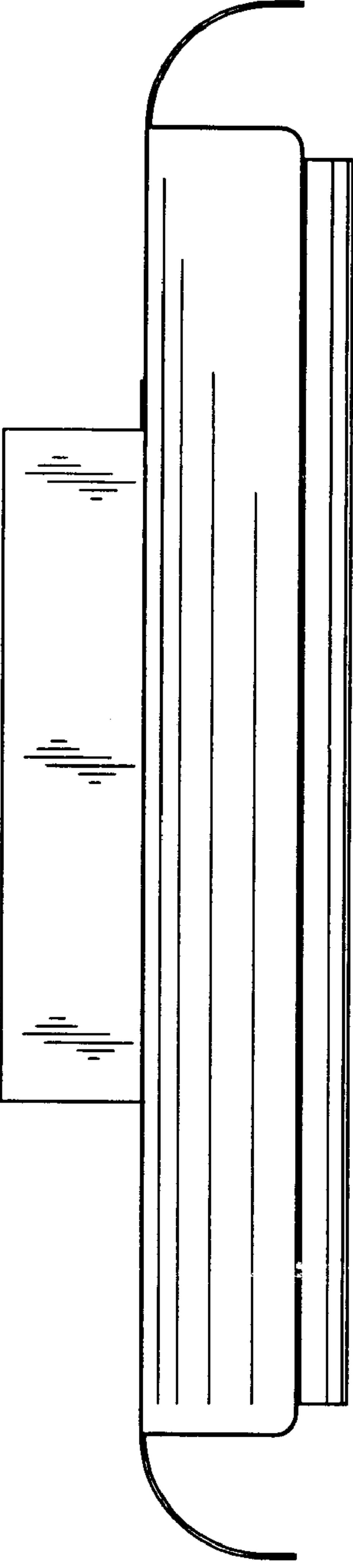


FIG. 4

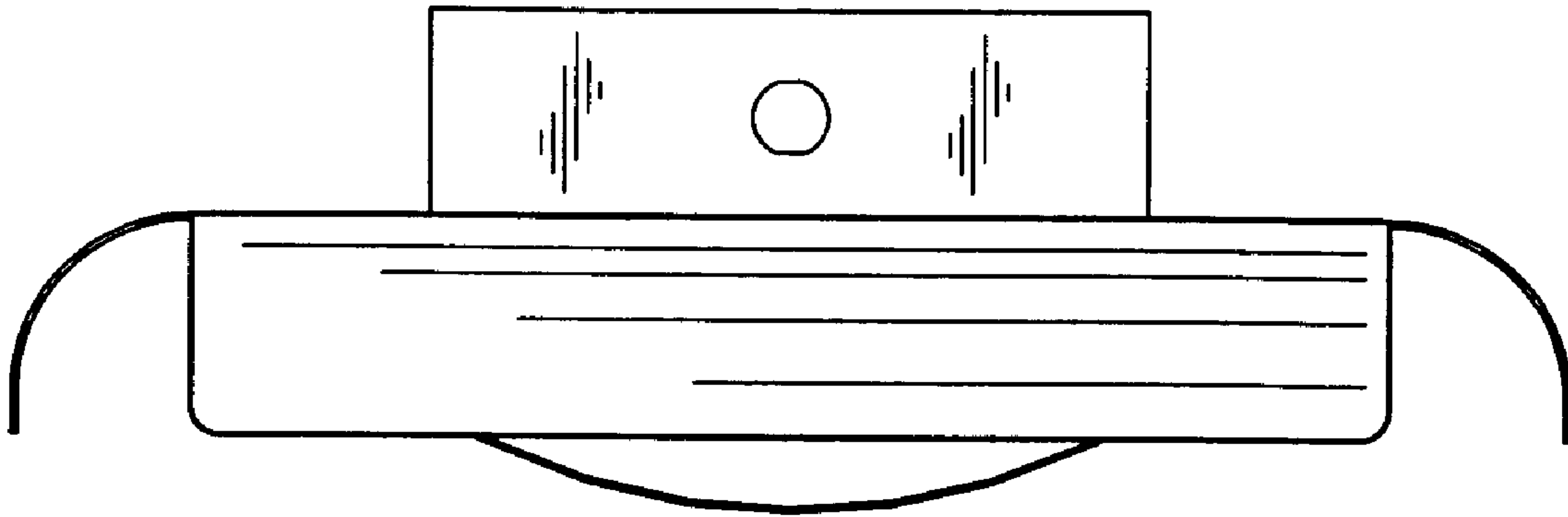


FIG. 5

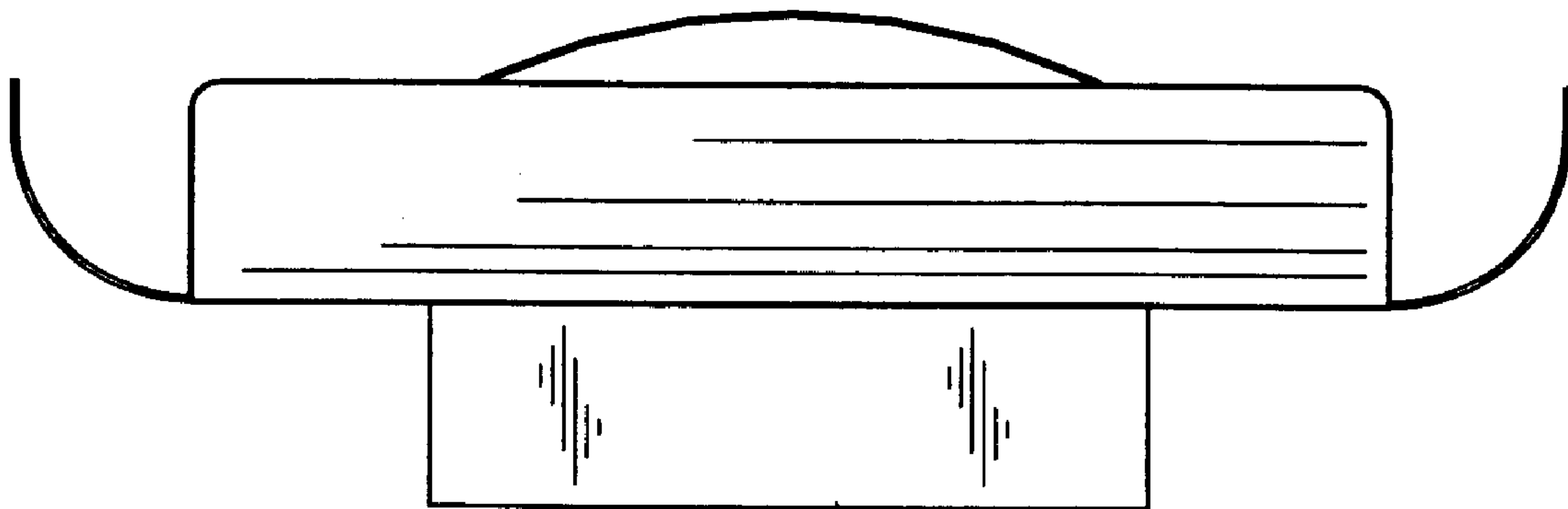


FIG. 6

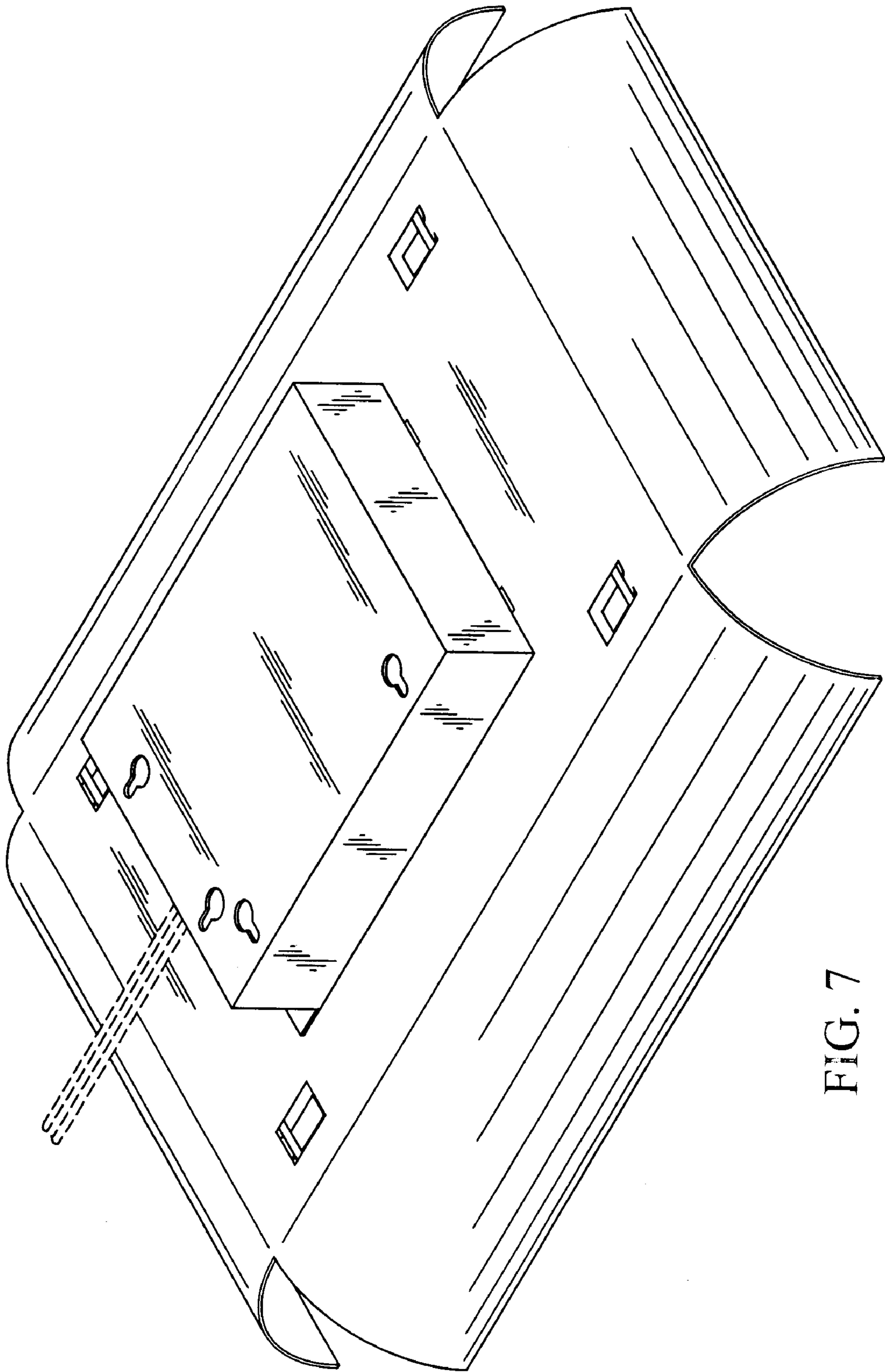


FIG. 7

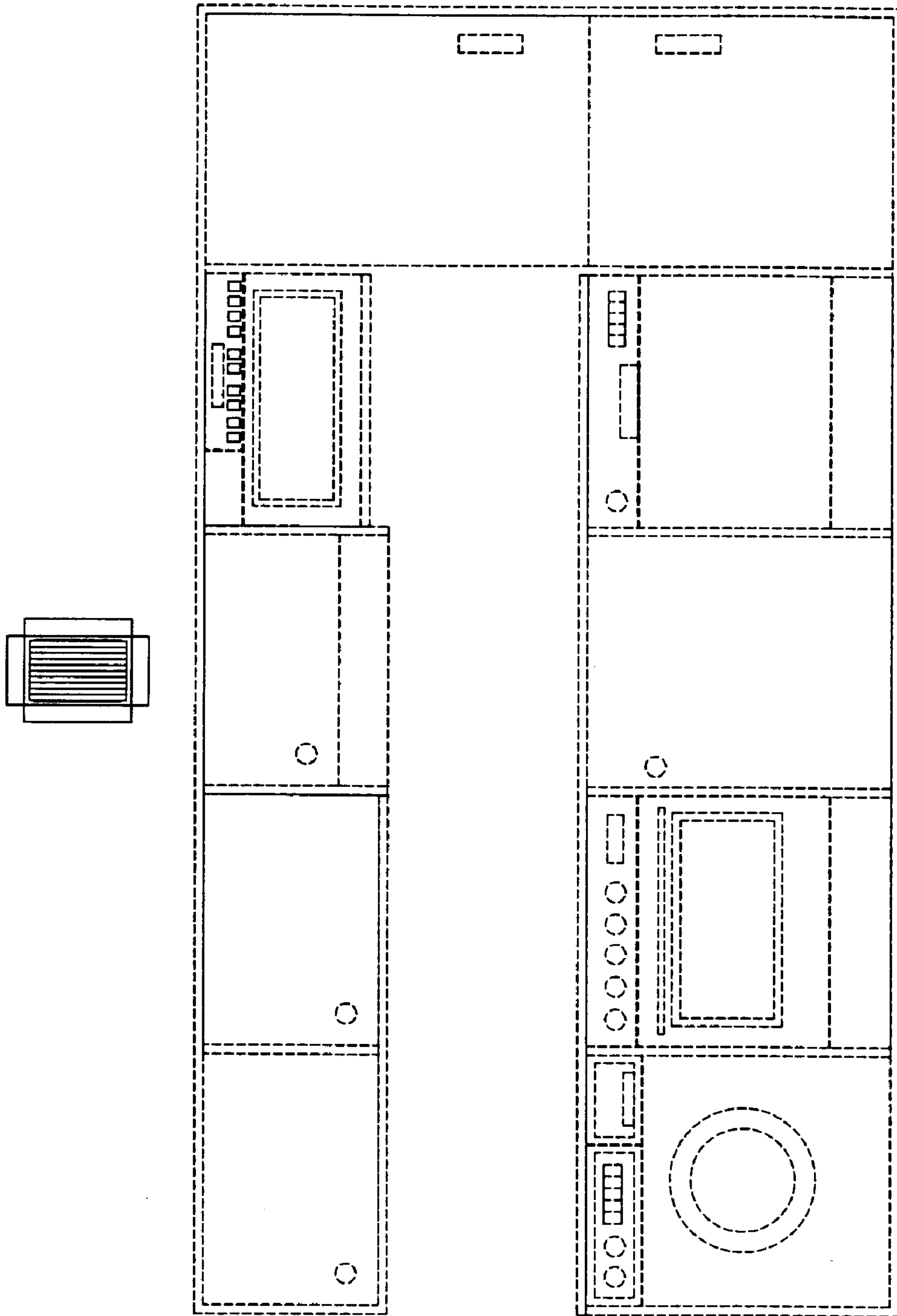


FIG. 8

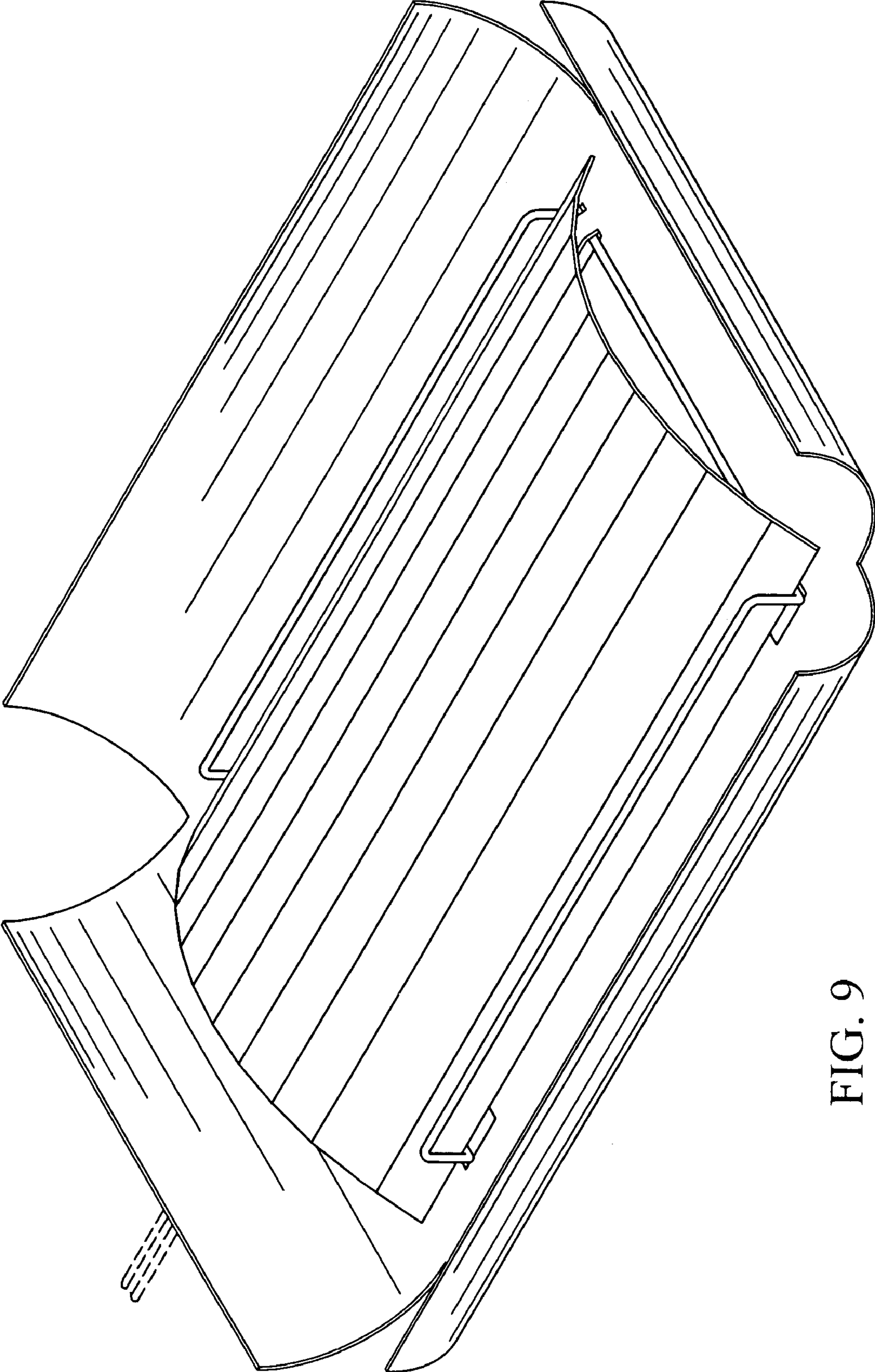


FIG. 9