



US00D517159S

(12) **United States Design Patent**
Ridley et al.

(10) **Patent No.: US D517,159 S**
(45) **Date of Patent: ** Mar. 14, 2006**

(54) **INSECT REPELLANT DEVICE**

(75) Inventors: **Philip Stephen Ridley**, West Ryde
(AU); **Alan John Morris**, Ascot Vale
(AU)

(73) Assignee: **Reckitt Benckiser (Australia)PTY Limited**, West Ryde (AU)

(**) Term: **14 Years**

(21) Appl. No.: **29/219,945**

(22) Filed: **Dec. 23, 2004**

(30) **Foreign Application Priority Data**

Jun. 28, 2004 (ID) A00 2004 02021
Jun. 28, 2004 (ID) A00 2004 02022
Jun. 28, 2004 (ID) A00200402020

(51) **LOC (8) Cl. 22-06**

(52) **U.S. Cl. D22/120**

(58) **Field of Classification Search** D22/119-125;
43/1, 58, 112-113, 124, 131, 132.1
See application file for complete search history.

(56) **References Cited**

U.S. PATENT DOCUMENTS

D275,414 S * 9/1984 Boyd D22/123

D302,577 S * 8/1989 Lee D22/123
D302,578 S * 8/1989 Lee D22/123
D326,305 S * 5/1992 Wah D22/123
2003/0192229 A1 * 10/2003 Wilbanks 43/112

* cited by examiner

Primary Examiner—Catherine R. Oliver
(74) *Attorney, Agent, or Firm*—Norris McLaughlin & Marcus, P.A.

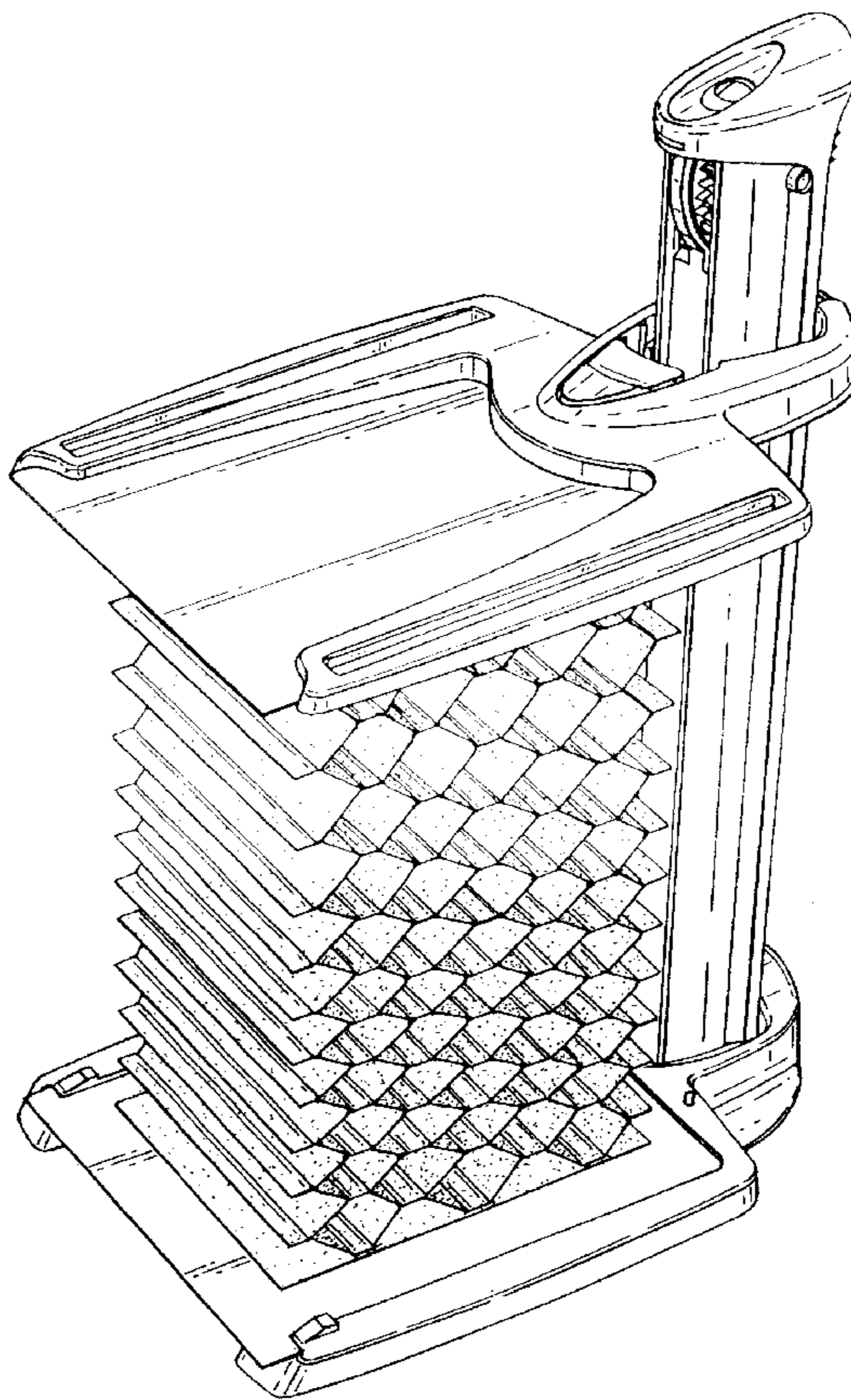
(57) **CLAIM**

The ornamental design for an insect repellent device, as shown and described.

DESCRIPTION

FIG. 1 is a right, top perspective view of a complete insect repellent device with refill;
FIG. 2 is a plan view of the front thereof;
FIG. 3 is a plan view of the back thereof;
FIG. 4 is a plan view of the right side thereof;
FIG. 5 is a plan view of the top thereof;
FIG. 6 is a plan view of the bottom thereof; and,
FIG. 7 is a right, top perspective view of the insect repellent device containing the refill of FIG. 1, in an alternate configuration.

1 Claim, 5 Drawing Sheets



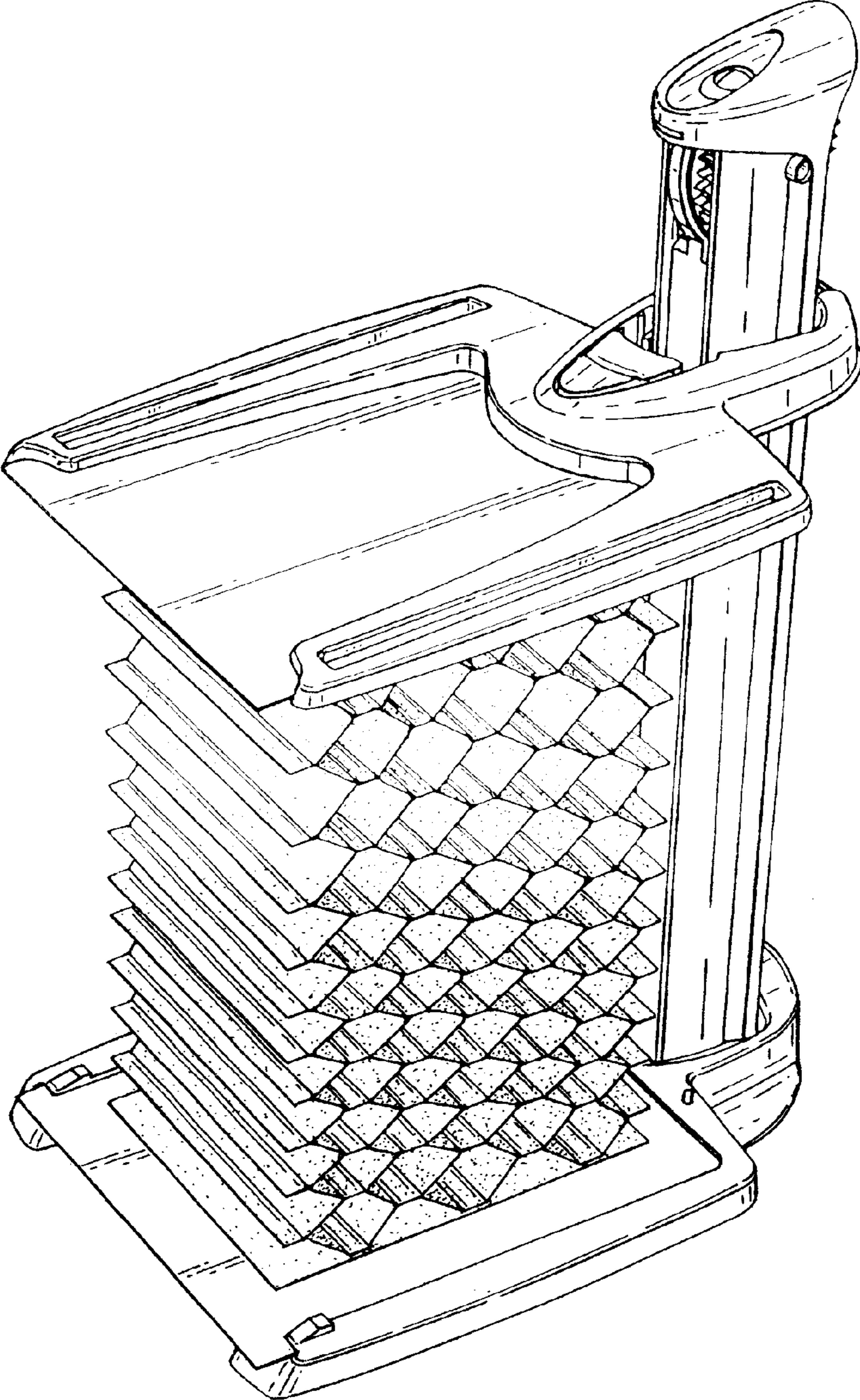


Fig.1.

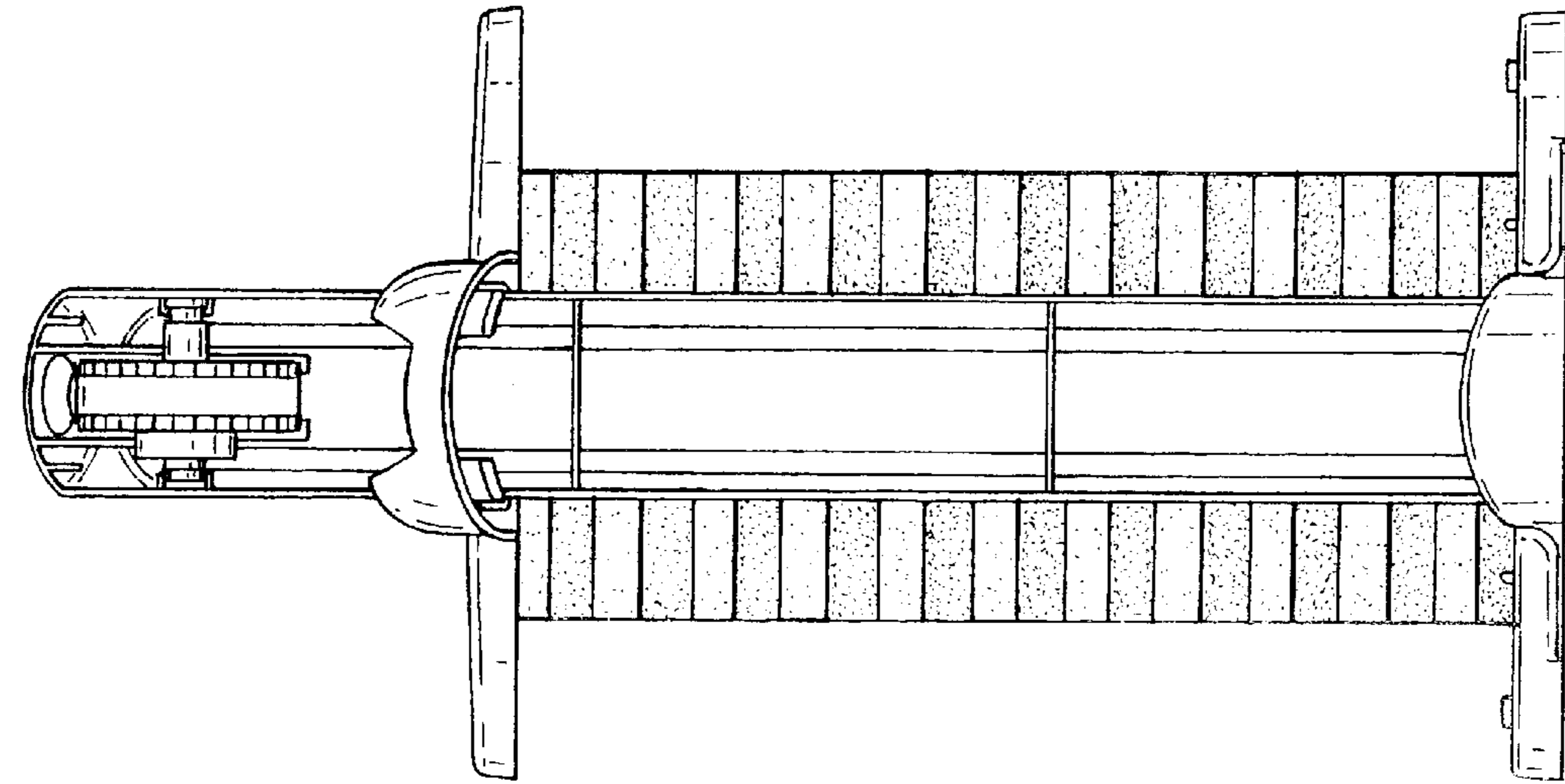


Fig.3.

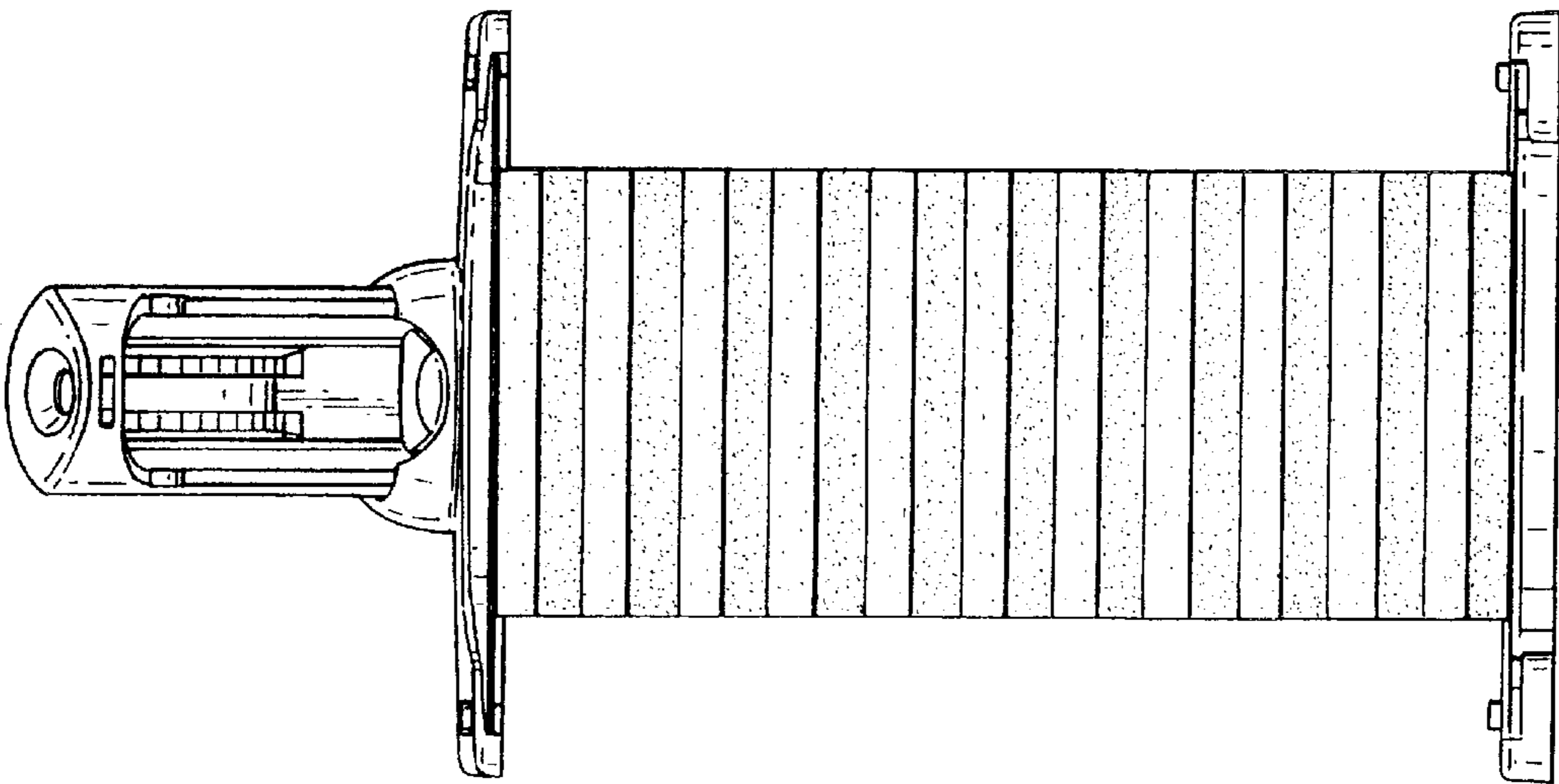


Fig.2.

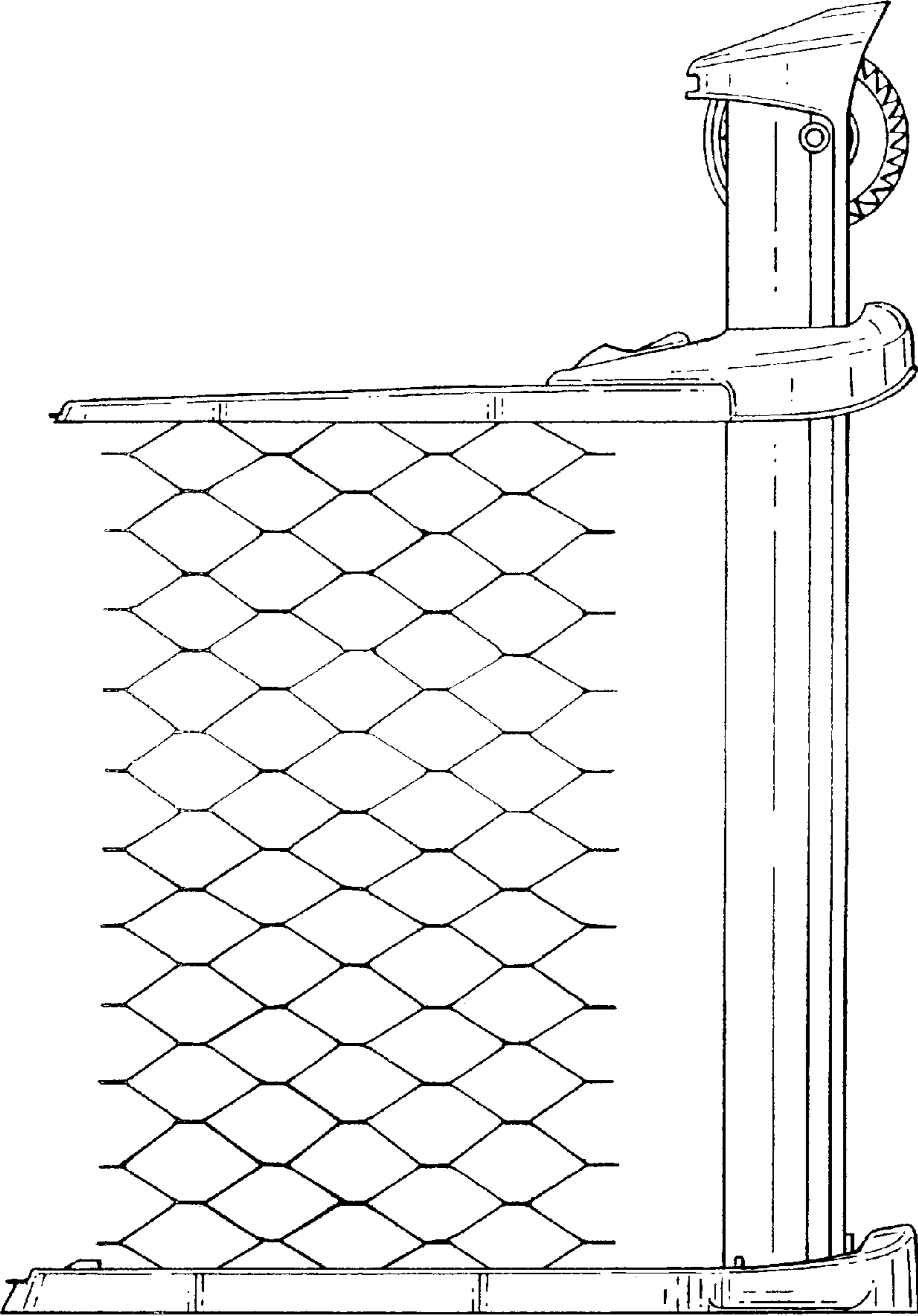


Fig.4.

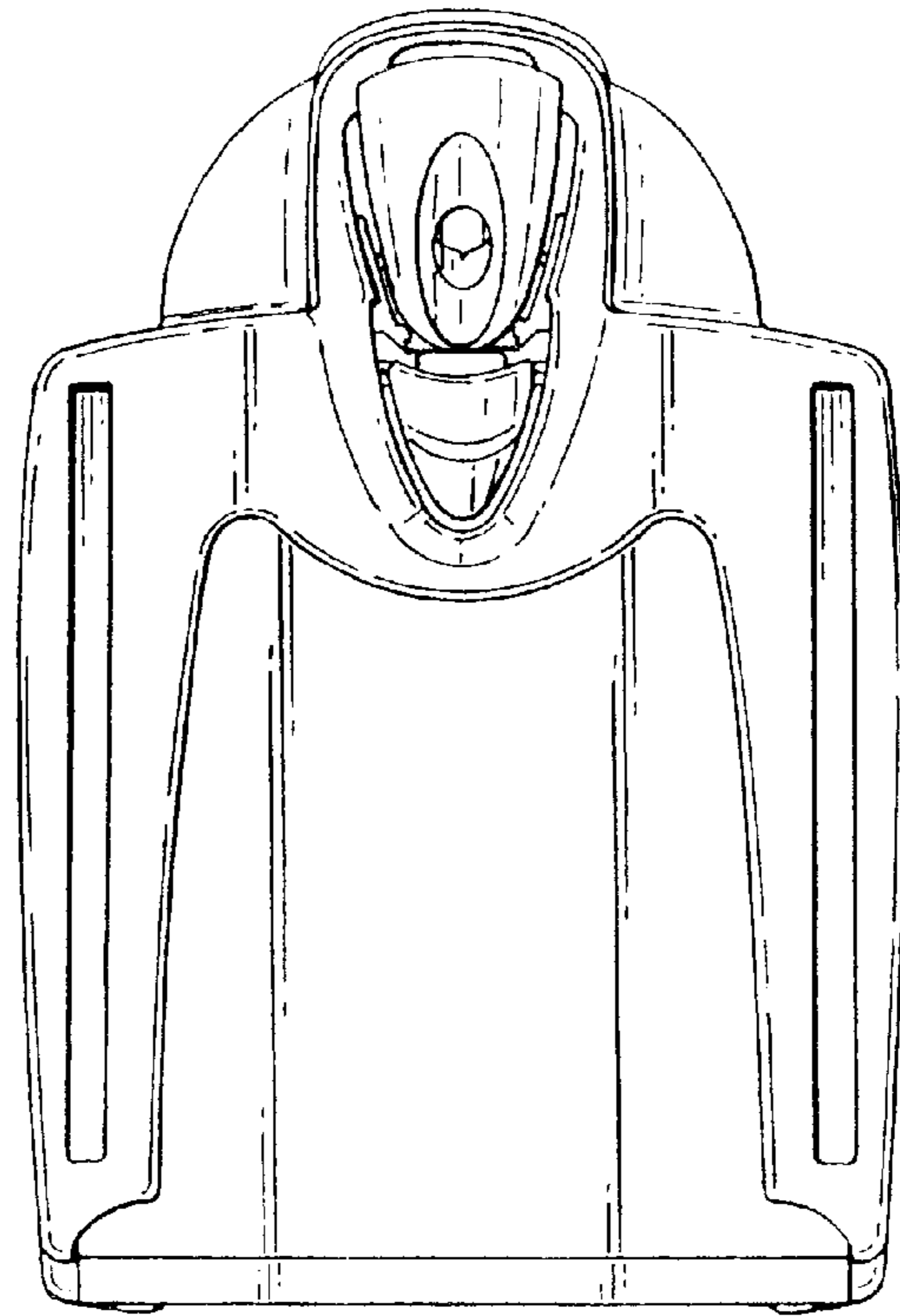


Fig.5.

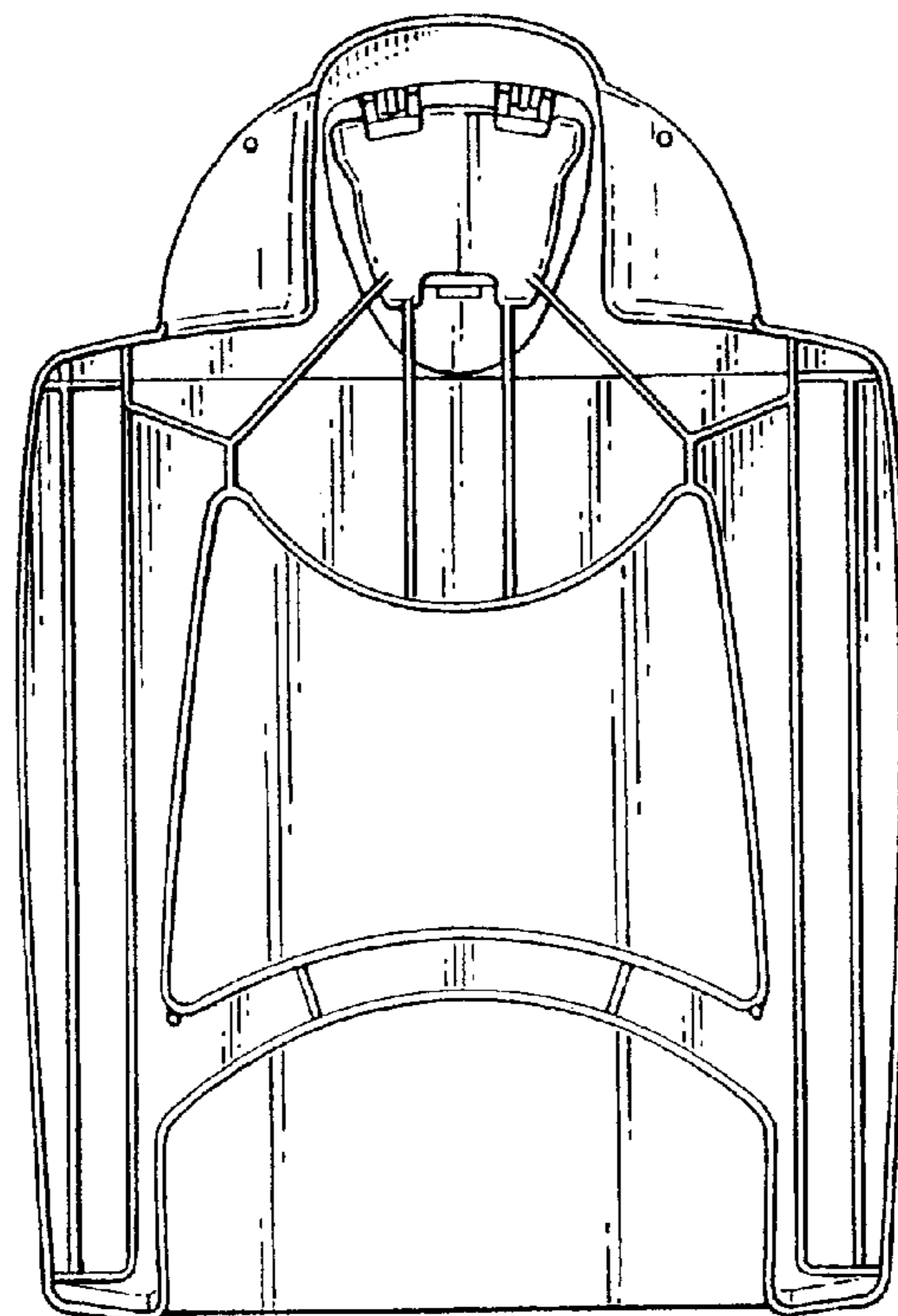


Fig.6.

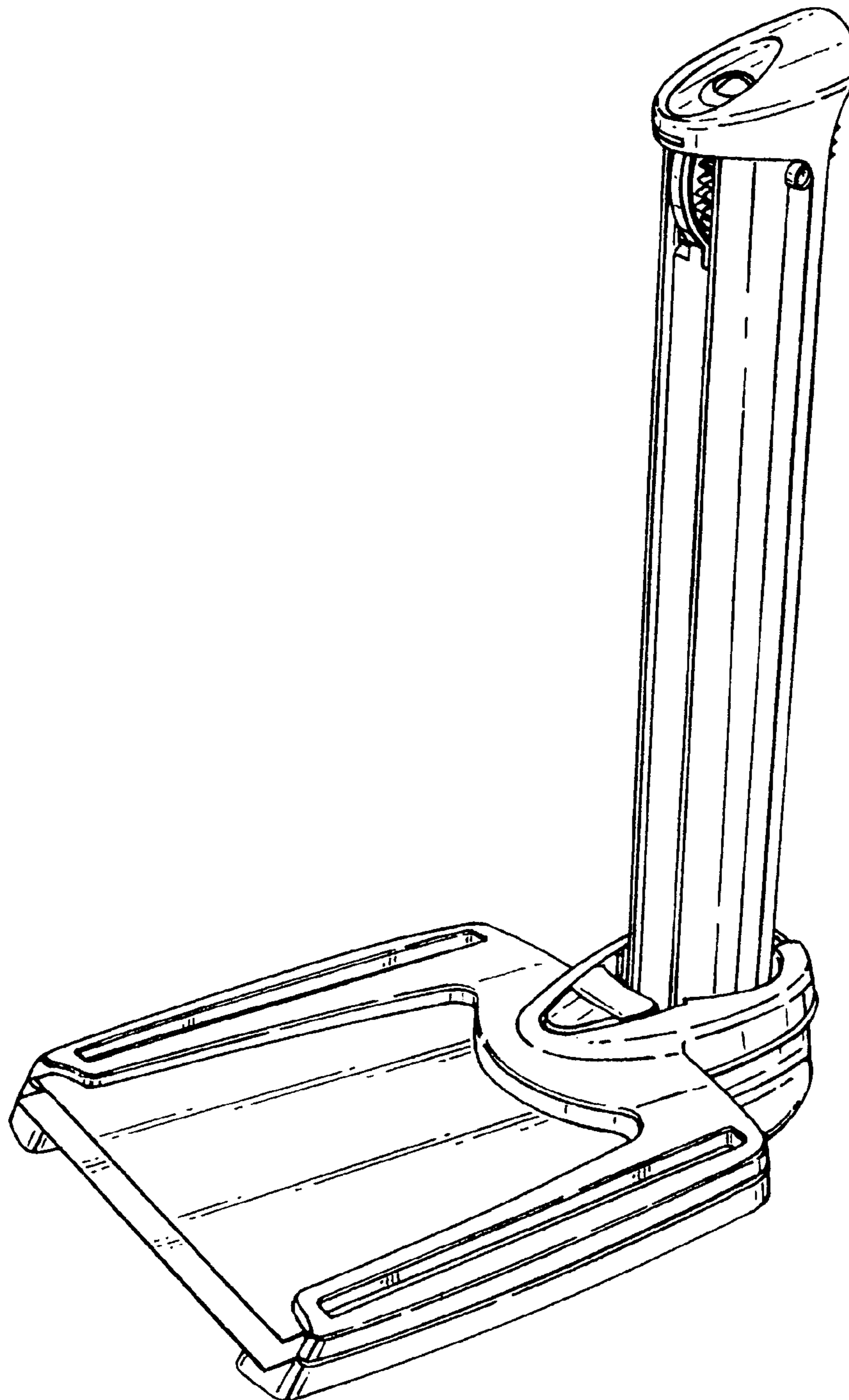


Fig.7.