



US00D517153S

(12) **United States Design Patent** (10) **Patent No.:** **US D517,153 S**
Timm et al. (45) **Date of Patent:** **** Mar. 14, 2006**

(54) **RETICLE FOR A GUNSIGHT OR OTHER PROJECTILE WEAPON AIMING DEVICE**

(75) Inventors: **Steven R. Timm**, Milwaukie, OR (US); **Serge Zaderey**, Beaverton, OR (US); **Gary R. Williams**, West Linn, OR (US); **Victoria J. Peters**, Forest Grove, OR (US); **Laura Peter**, Vancouver, WA (US); **Tim Lesser**, Beaverton, OR (US); **Tim L. O'Connor**, Portland, OR (US)

(73) Assignee: **Leupold & Stevens, Inc.**, Beaverton, OR (US)

(**) Term: **14 Years**

(21) Appl. No.: **29/226,205**

(22) Filed: **Mar. 25, 2005**

Related U.S. Application Data

(62) Division of application No. 29/193,335, filed on Nov. 4, 2003, now Pat. No. Des. 506,520.

(51) **LOC (8) Cl.** **22-01**

(52) **U.S. Cl.** **D22/109; D22/199; D22/108**

(58) **Field of Classification Search** D22/108, D22/199; D16/130, 134; 33/245, 246, 297, 33/298; 42/122, 130; 235/414; 350/550; 356/21; 359/424, 428; 421/122

See application file for complete search history.

(56) **References Cited**

U.S. PATENT DOCUMENTS

3,190,003 A	6/1965	O'Brien
3,392,450 A	7/1968	Herter et al.
3,948,587 A	4/1976	Rubbert
4,263,719 A	4/1981	Murdoch
4,285,137 A	8/1981	Jennie
4,403,421 A	9/1983	Shepherd

4,584,776 A	4/1986	Shepherd
4,618,221 A	10/1986	Thomas
4,806,007 A	2/1989	Bindon
D306,173 S	2/1990	Reese
5,616,903 A	4/1997	Springer
D397,704 S	9/1998	Reese
D403,686 S	1/1999	Reese
5,920,995 A	7/1999	Sammut
6,032,374 A	3/2000	Sammut
6,357,158 B1	3/2002	Smith, III
6,453,595 B1	9/2002	Sammut
D475,758 S	6/2003	Ishikawa
6,591,537 B1	7/2003	Smith
2005/0005495 A1	1/2005	Smith

OTHER PUBLICATIONS

Leupold & Stevens Inc., Leupold 2003 Catalog, Nov. 2002, pp. 8, 9, 25 & 30.

(Continued)

Primary Examiner—Cathy Anne MacCormac

Assistant Examiner—Melanie Levy

(74) *Attorney, Agent, or Firm*—Stoel Rives LLP

(57) **CLAIM**

We claim the ornamental design for a reticle for a gunsight or other projectile weapon aiming device, as shown and described.

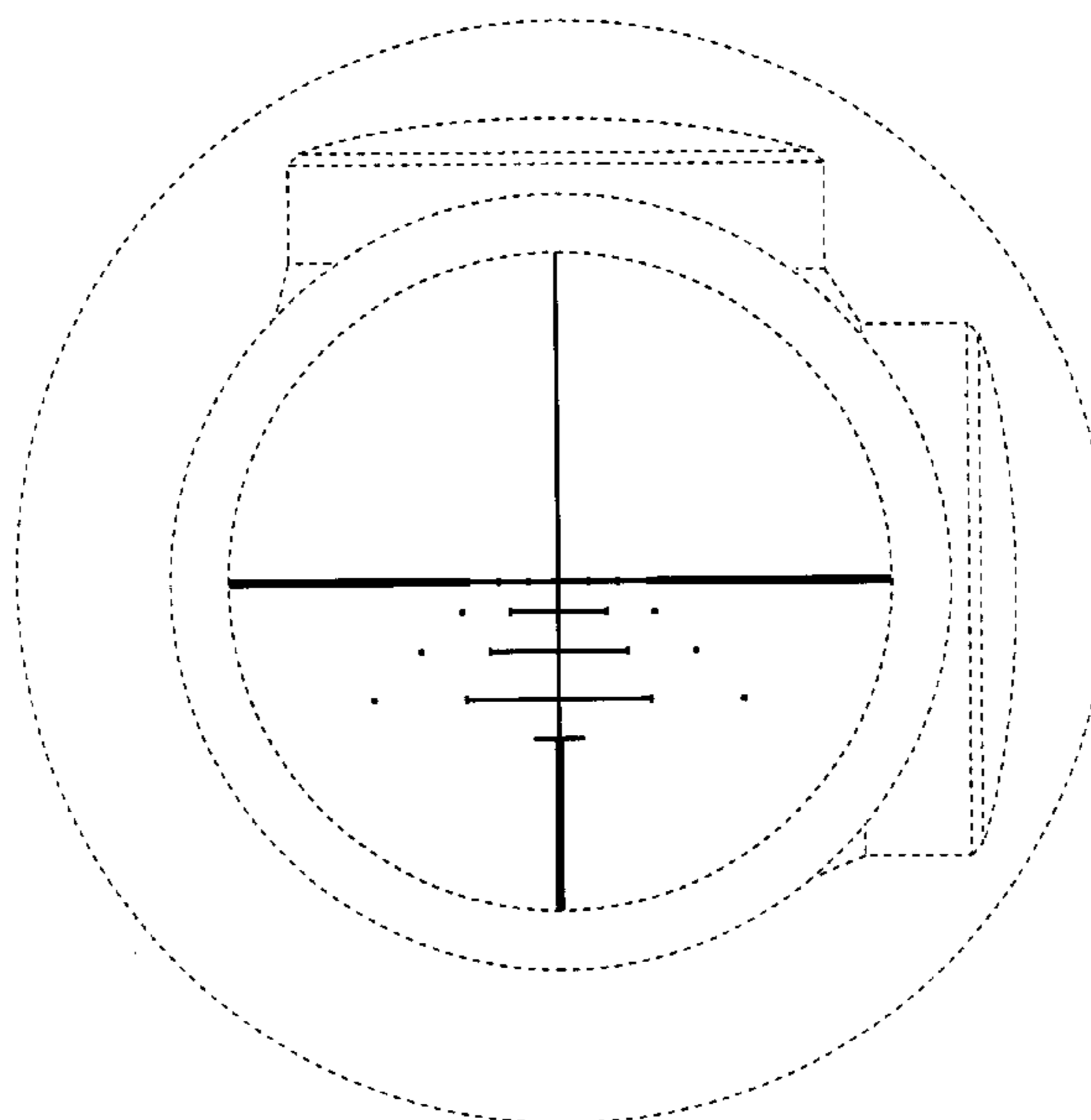
DESCRIPTION

FIG. 1 is a front elevational view of a reticle for a gunsight or other projectile weapon aiming device in accordance with our new design; and,

FIG. 2 is a perspective view showing an environment of use for the reticle of FIG. 1.

In the figures, the broken lines indicate environmental features that form no part of the claimed design.

1 Claim, 2 Drawing Sheets



OTHER PUBLICATIONS

Schmidt & Bender, "Rifle Scopes Built for the Demanding Needs of the Precision Sharpshooter," 3 pages (date unknown).

Shepard Scope Ltd., Shepherd's Easy One Shot Zero, product brochure, 2 pages (date unknown).

Swarovski Optik advertisement, "Christmas Tree" reticle, 1 page (date unknown).

Trijicon, Inc., Bindon Aiming Concept reticles, 5 pages (date unknown).

Nightforce Precision Optics, Illuminated Reticles, 1 page (date unknown).

Elcan Optical Technologies, SpecterIR Thermal Weapon Sight, M240/M249 Machine Gun Reticle and M4 Carbine reticle, 10 pages (date unknown).

Burris, Optics, Plex Reticle and Ballistic Mil-Dot Reticle, <http://www.burrisoptics.com/reticles.html>, 3 pages (date unknown).

Carl Zeiss, Reticles, 2 pages (date unknown).

Simmons Outdoor Corporation, 2003 Catalog, pp. 9 and 11.

Premier Reticles, Ltd.,—Introducing the Next Generation Mil-dot reticle; <http://www.premierreticles.com/gen2.html>, visited Nov. 21, 2002, 2 pages.

Premier Reticles, Ltd., 2002 Pricing & Information/Catalog, Aug. 1, 2002, 21 pages.

German text on reflexscopes, "Zusammenstellung Moglicher Zielfernrohr-Absehen," p. 477 (date unknown).

Redfield Optics, LE-9 Sniper Reticle, Jul. 19, 1994, 1 page.

D.O.D. Proprietary Data, Drawing for Special Reticle for SSG86-10 Power Optic for Exclusive Use by Gun South, Inc., Jun. 30, 1986, 1 page.

U.S. Appl. No. 10/933,856, filed Sep. 3, 2004.

FIG. 1

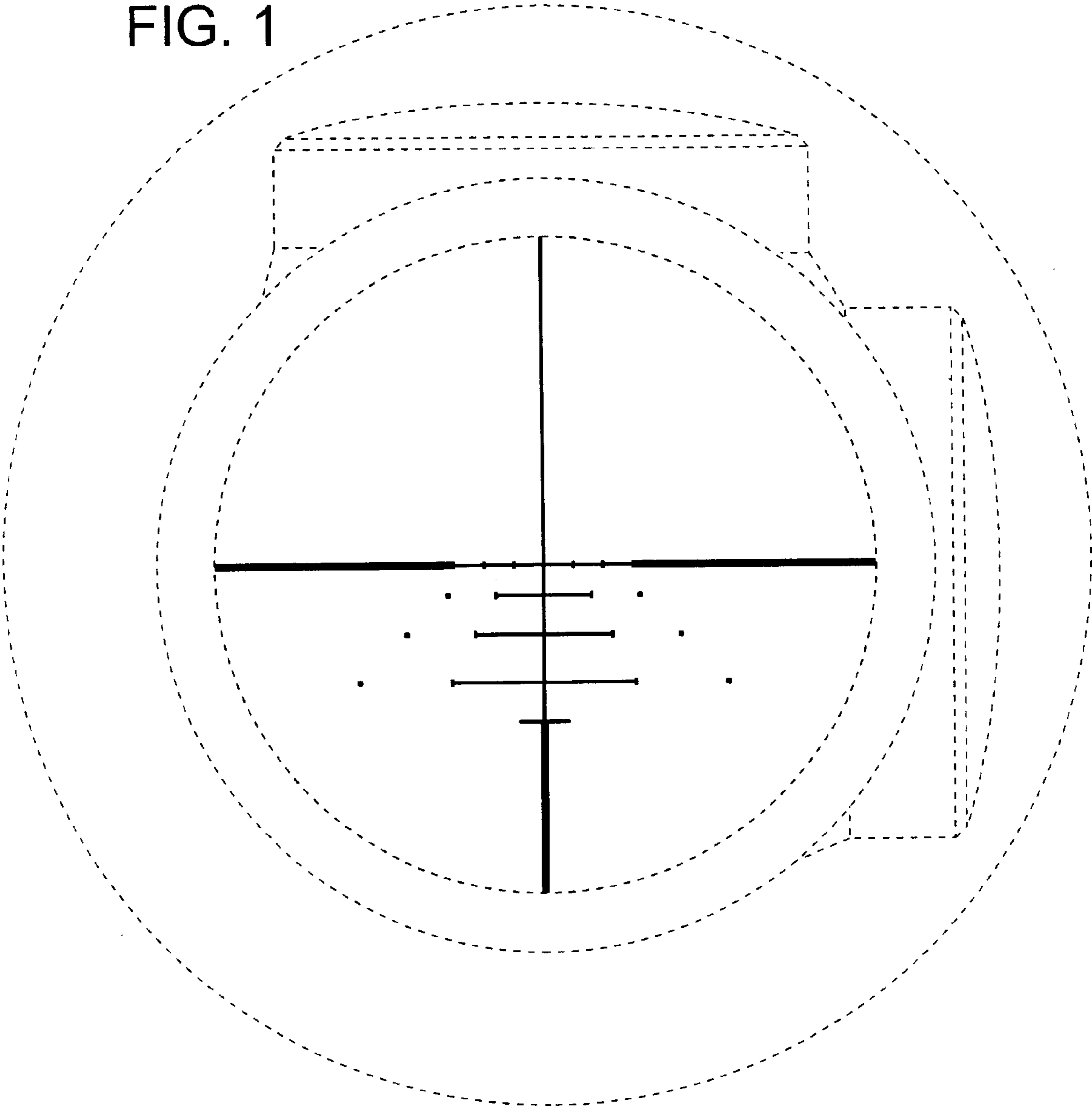


FIG. 2

