

US00D517149S

(12) **United States Design Patent** (10) **Patent No.:** **US D517,149 S**  
**Shutter et al.** (45) **Date of Patent:** **\*\* Mar. 14, 2006**

(54) **GOLF MARKER-GREEN READING SYSTEM**

(75) Inventors: **Robert W. Shutter**, Azle, TX (US);  
**Steven C. Lancaster**, Azle, TX (US)

(73) Assignee: **Gravitee, L.P.**, Azle, TX (US)

(\*\*) Term: **14 Years**

(21) Appl. No.: **29/211,916**

(22) Filed: **Aug. 24, 2004**

(51) **LOC (8) Cl.** ..... **21-02**

(52) **U.S. Cl.** ..... **D21/794**

(58) **Field of Classification Search** ..... D21/789,  
D21/793, 794, 386, 390; 473/285, 406  
See application file for complete search history.

(56) **References Cited**

**U.S. PATENT DOCUMENTS**

D318,243 S	7/1991	Piskula	
D319,862 S	* 9/1991	Lahger	D21/794
5,157,842 A	10/1992	Swanda	
D350,179 S	* 8/1994	Johnson	D21/794
5,476,258 A	12/1995	Frisone	
5,662,535 A	* 9/1997	Smith	473/404
5,669,832 A	9/1997	Lehse	
5,865,689 A	2/1999	Heyman	
6,095,933 A	8/2000	Smith	
6,386,994 B1	5/2002	H'Doubler et al.	
D462,102 S	* 8/2002	Urbik	D21/794
D472,290 S	* 3/2003	Kristoffersen	D21/794
D480,444 S	* 10/2003	Marchessault et al.	D21/794
D488,528 S	* 4/2004	Kennedy	D21/793

\* cited by examiner

*Primary Examiner*—Mitchell Siegel

(74) *Attorney, Agent, or Firm*—Fulbright & Jaworski LLP

(57) **CLAIM**

The ornamental design for a golf marker-green reading system, as shown and described.

**DESCRIPTION**

This application is a design application related to the U.S. Application entitled Green Reader / Golf Ball Marker and Method of Using Same, filed August 24, 2004.

FIG. 1 is a top perspective view of the golf marker-green reading system;

FIG. 2 is a side elevational view thereof; all other sides being identical;

FIG. 3 is a top plan view thereof;

FIG. 4 is a bottom plan view thereof;

FIG. 5 is a perspective of a second embodiment of the golf marker-green reading system;

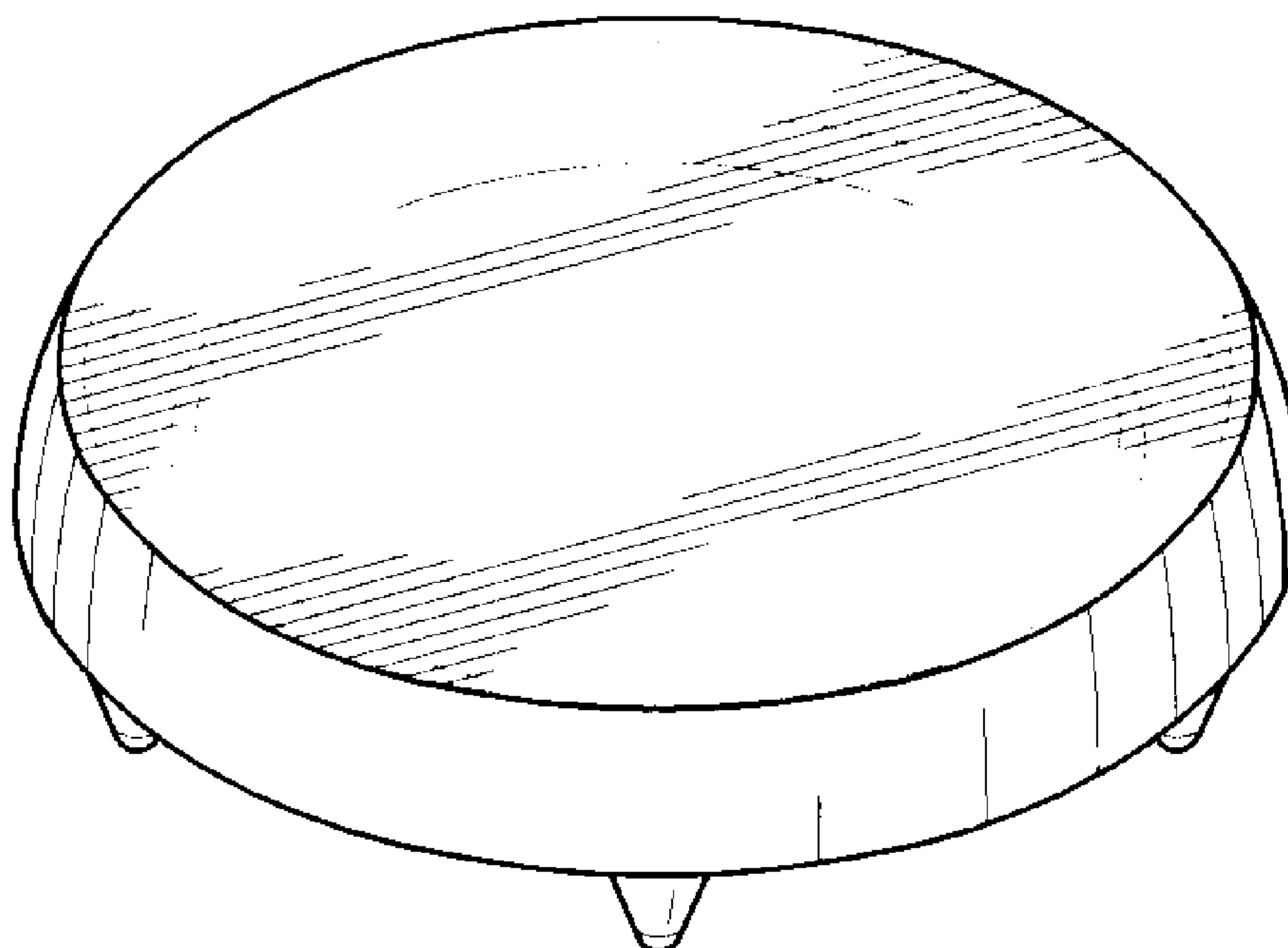
FIG. 6 is a side elevational view of FIG. 5; the other sides being identical; and,

FIG. 7 is a bottom plan view of FIG. 5.

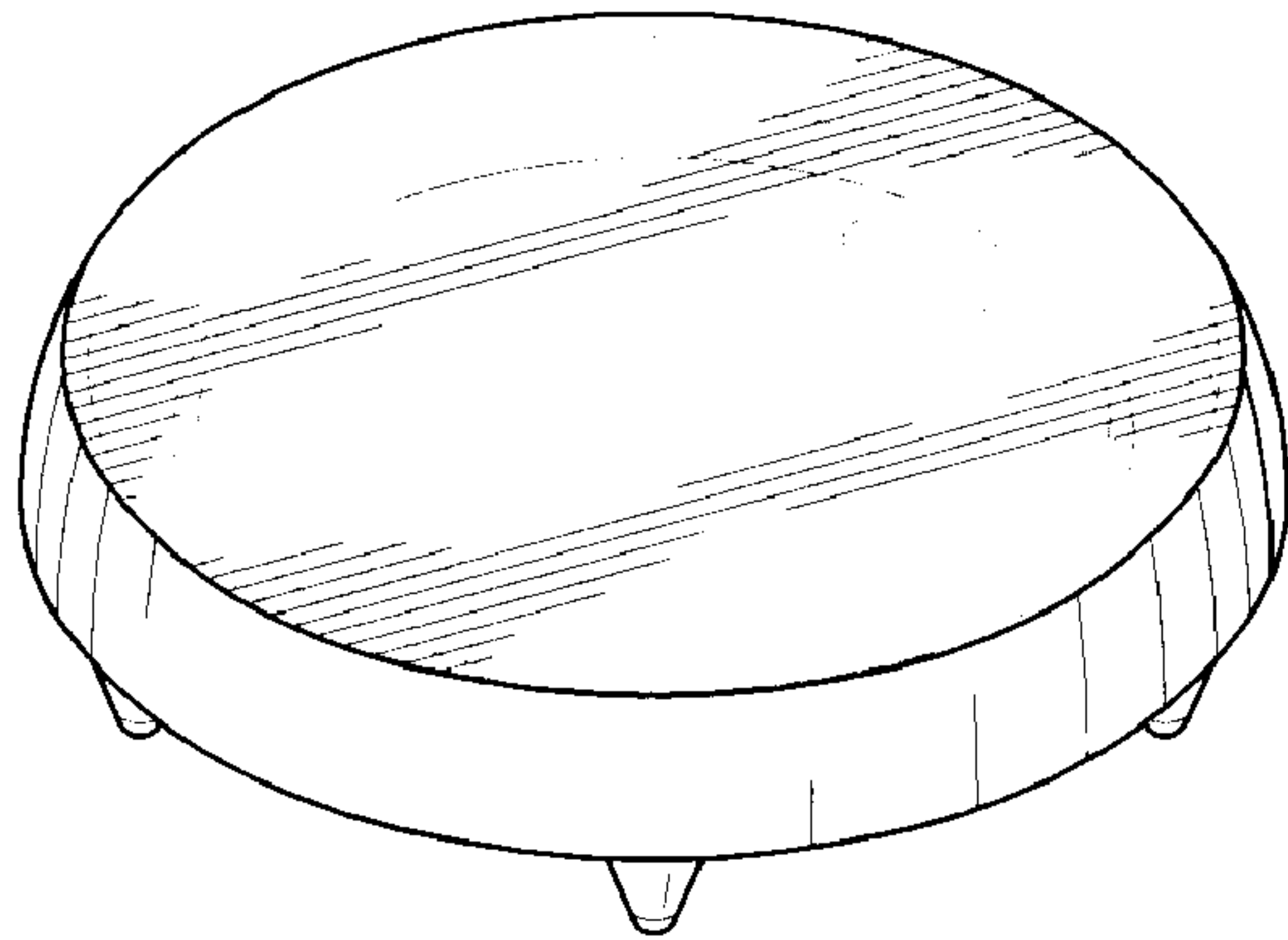
It should be understood that the labels used herein for describing orientation (e.g., front, rear, top, bottom, right and left) are merely for reference, and the design may be disposed in any manner and still be within the scope of the present invention.

The broken line showing is for illustrative purposes only and forms no part of the claimed design.

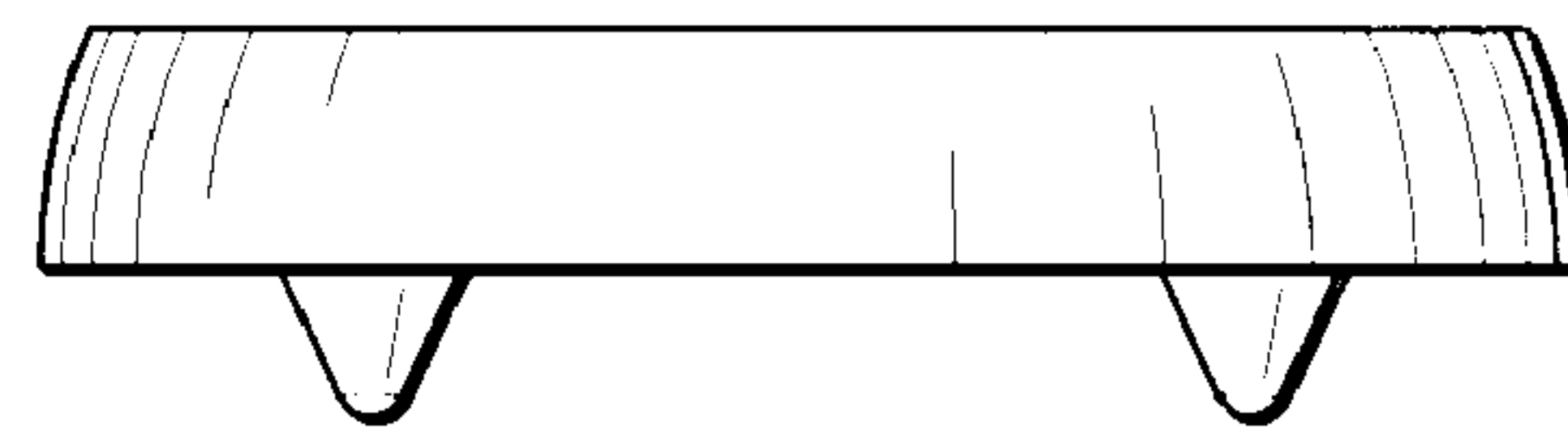
**1 Claim, 2 Drawing Sheets**



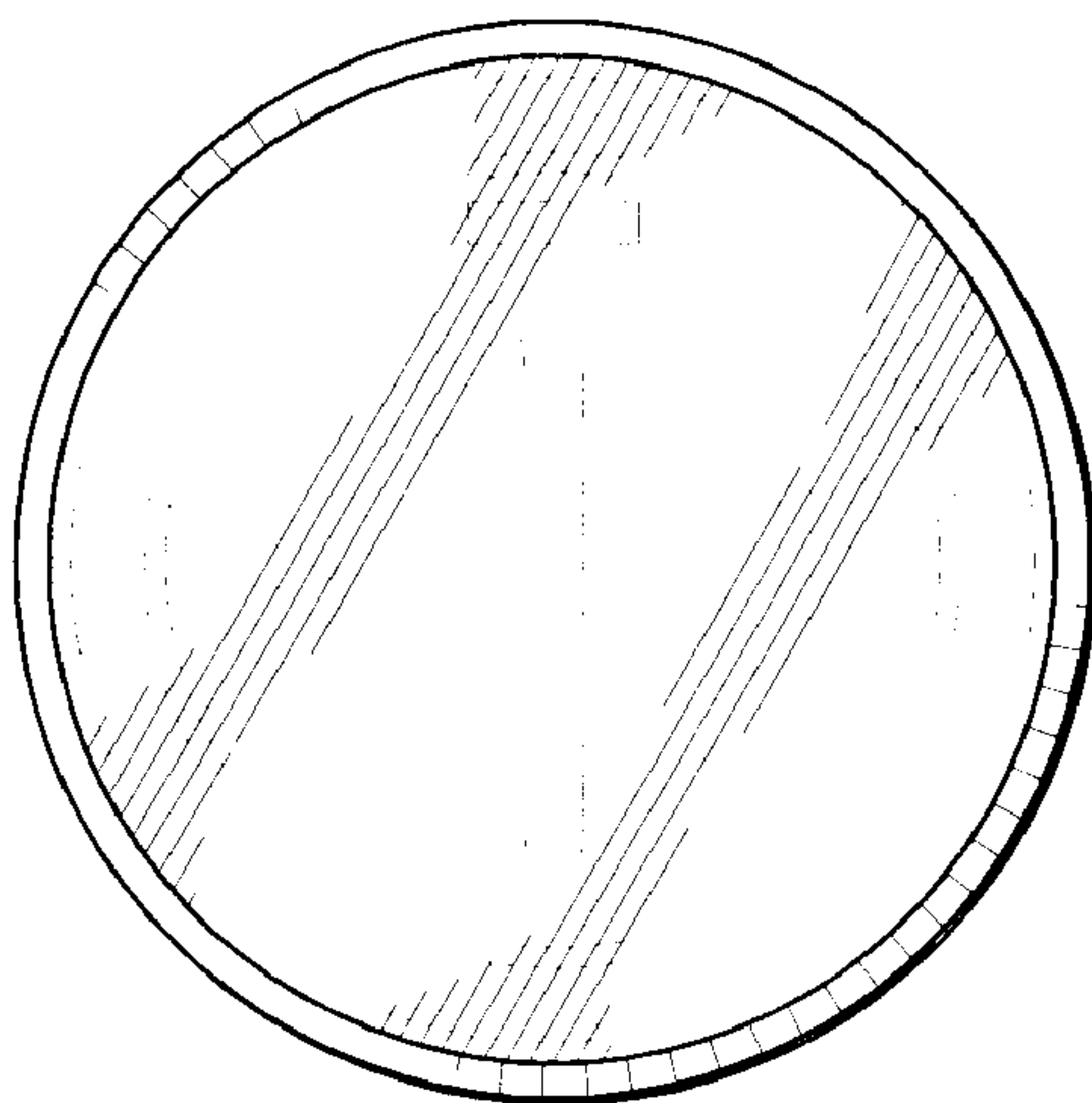
*FIG. 1*



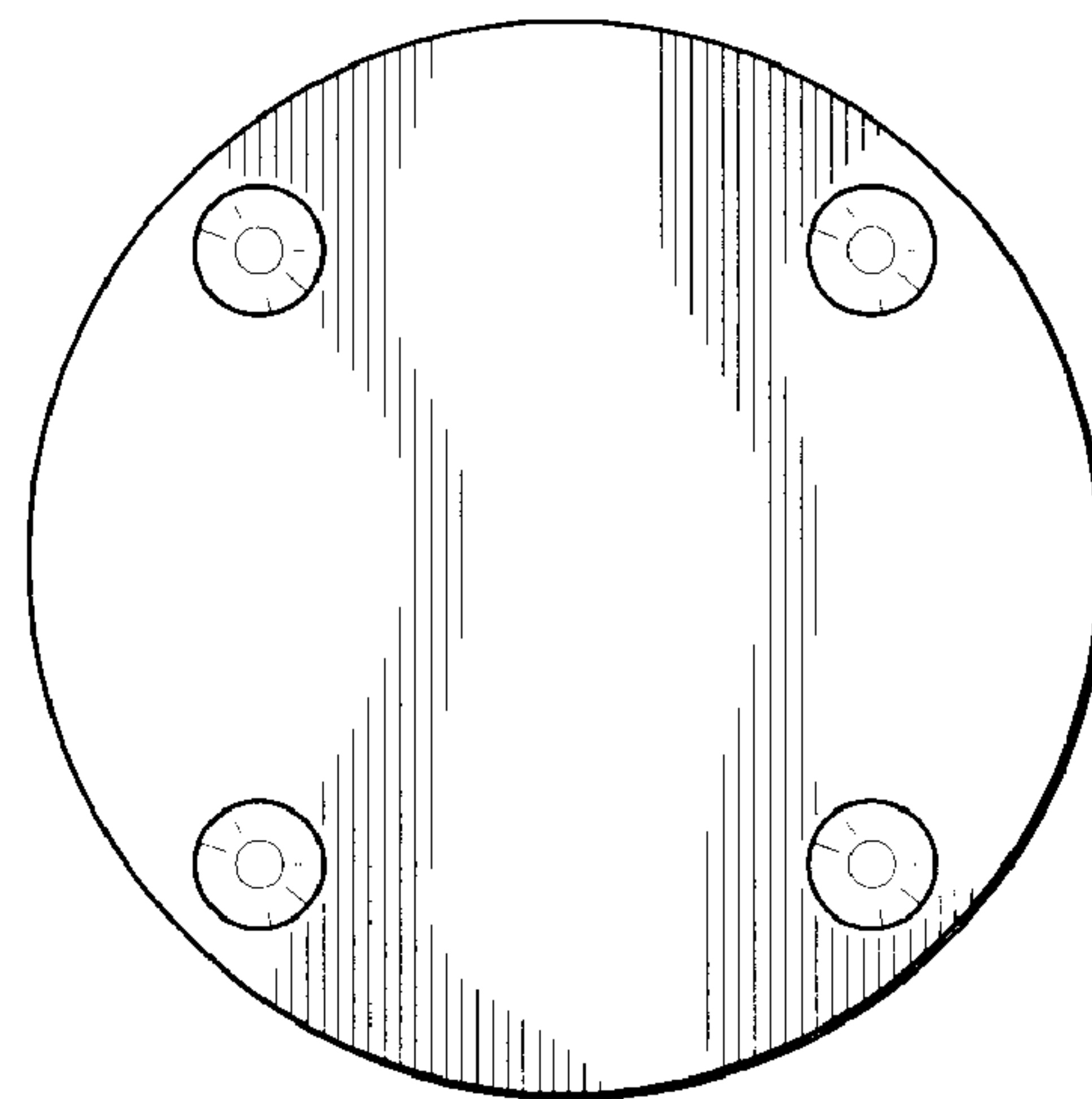
*FIG. 2*



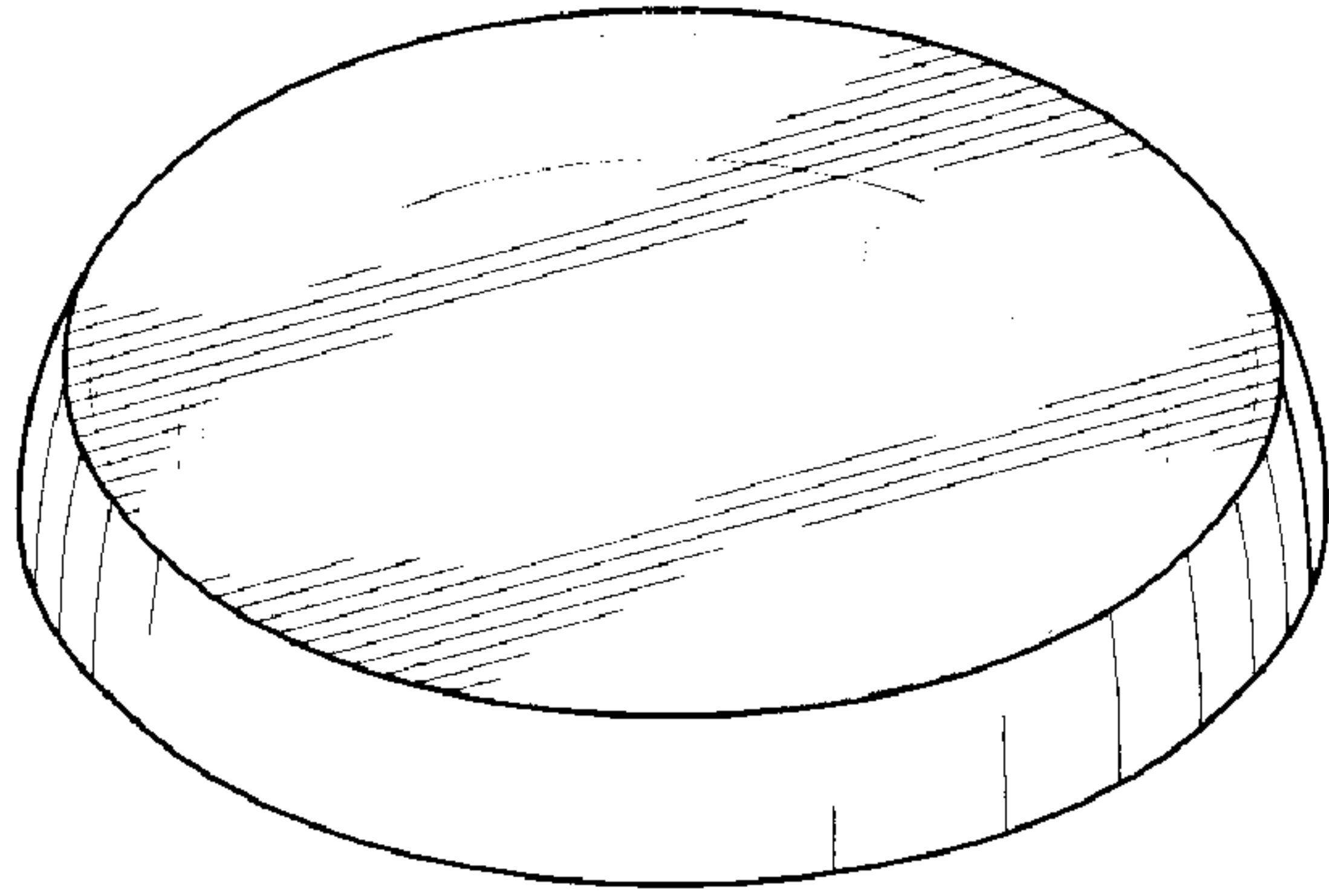
*FIG. 3*



*FIG. 4*



*FIG. 5*



*FIG. 6*



*FIG. 7*

