



US00D517143S

(12) **United States Design Patent**
Petsel et al.

(10) **Patent No.:** **US D517,143 S**
(45) **Date of Patent:** **** Mar. 14, 2006**

(54) **GOLF CLUB HEAD**

(76) Inventors: **Douglas Petsel**, 12580 Woodmill Dr.,
Palm Beach Gardens, FL (US) 33418;
Edwin Noyes, 37 Russell St., Tequesta,
FL (US) 33469

(**) Term: **14 Years**

(21) Appl. No.: **29/224,636**

(22) Filed: **Mar. 3, 2005**

(51) **LOC (8) Cl.** **21-02**

(52) **U.S. Cl.** **D21/742**

(58) **Field of Classification Search** D21/736-746;
473/324-331, 340, 341, 251-256

See application file for complete search history.

(56) **References Cited**

U.S. PATENT DOCUMENTS

3,966,210 A	*	6/1976	Rozmus	473/341
D350,177 S	*	8/1994	Ramirez et al.	D21/745
D421,471 S	*	3/2000	Moldovan	D21/744
D436,638 S	*	1/2001	Carrier	D21/744
D457,210 S	*	5/2002	Noda	D21/736

* cited by examiner

Primary Examiner—Mitchell Siegel
(74) *Attorney, Agent, or Firm*—McHale & Slavin, P.A.

(57) **CLAIM**

The ornamental design for a golf club head, as shown and described.

DESCRIPTION

FIG. 1 is a top view of the golf club head of the instant invention;

FIG. 2 is a bottom view thereof;

FIG. 3 is a right side view thereof;

FIG. 4 is a left side view thereof;

FIG. 5 is a front view thereof;

FIG. 6 is a rear view thereof;

FIG. 7 is a perspective view thereof;

FIG. 8 is a perspective pictorial view thereof striking a golf ball, not claimed;

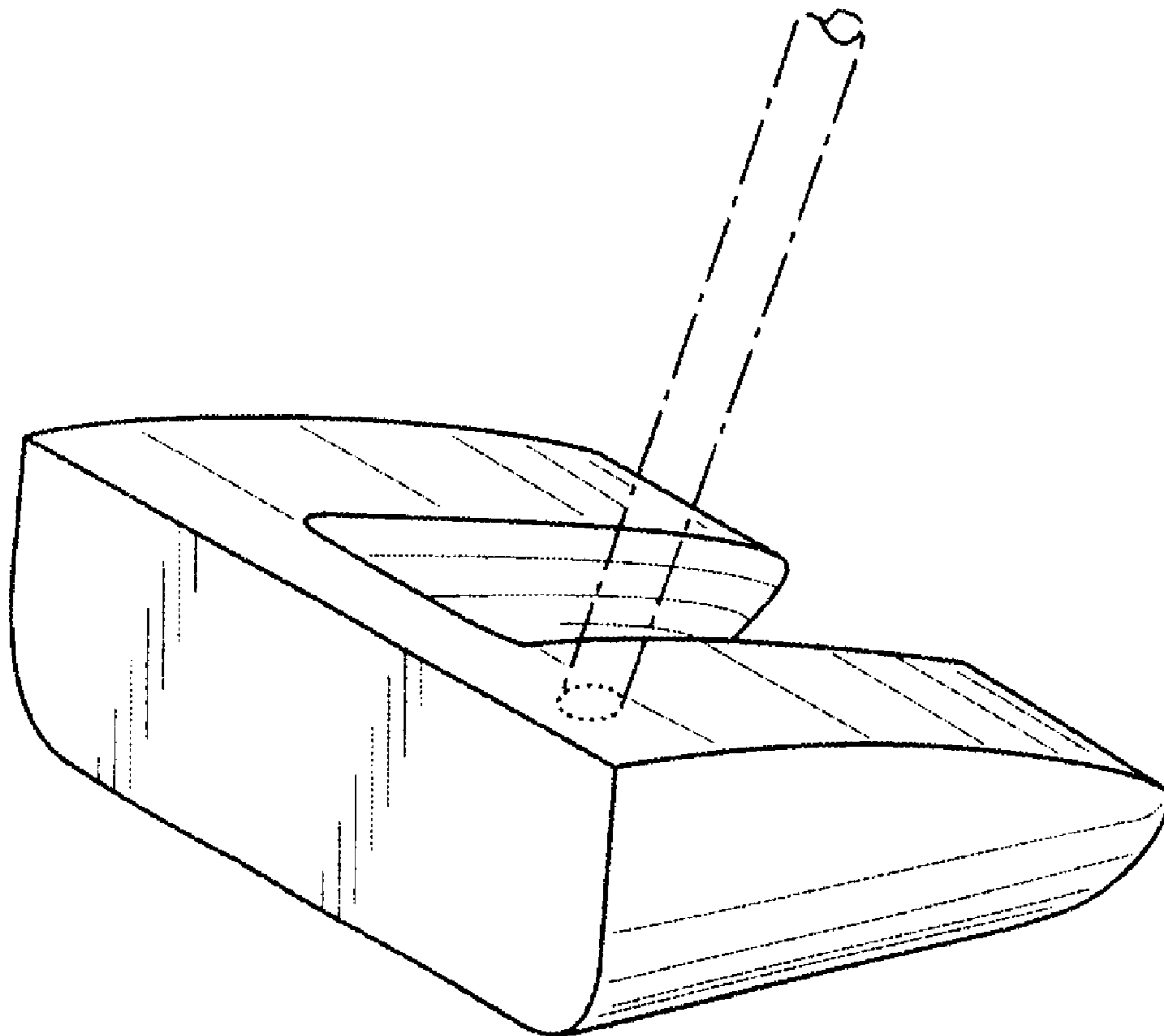
FIG. 9 is a rear pictorial view thereof elevated over a golf ball;

FIG. 10 is a rear pictorial view thereof engaging a golf ball; and,

FIG. 11 is a rear pictorial view thereof lifting a golf ball.

The broken line showing of the golf ball is for illustrative purposes only and forms no part of the claimed design.

1 Claim, 2 Drawing Sheets



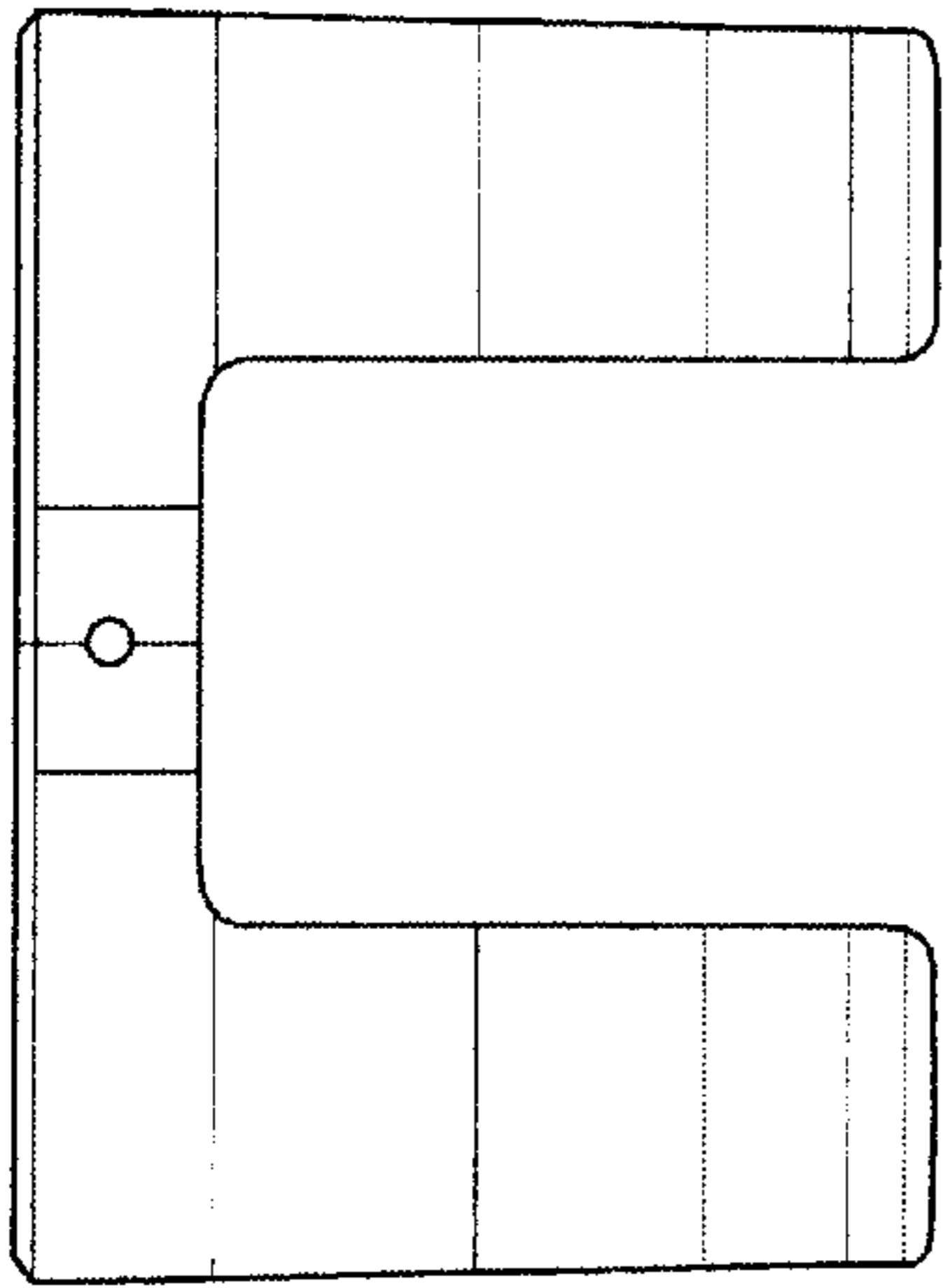


FIG. 1

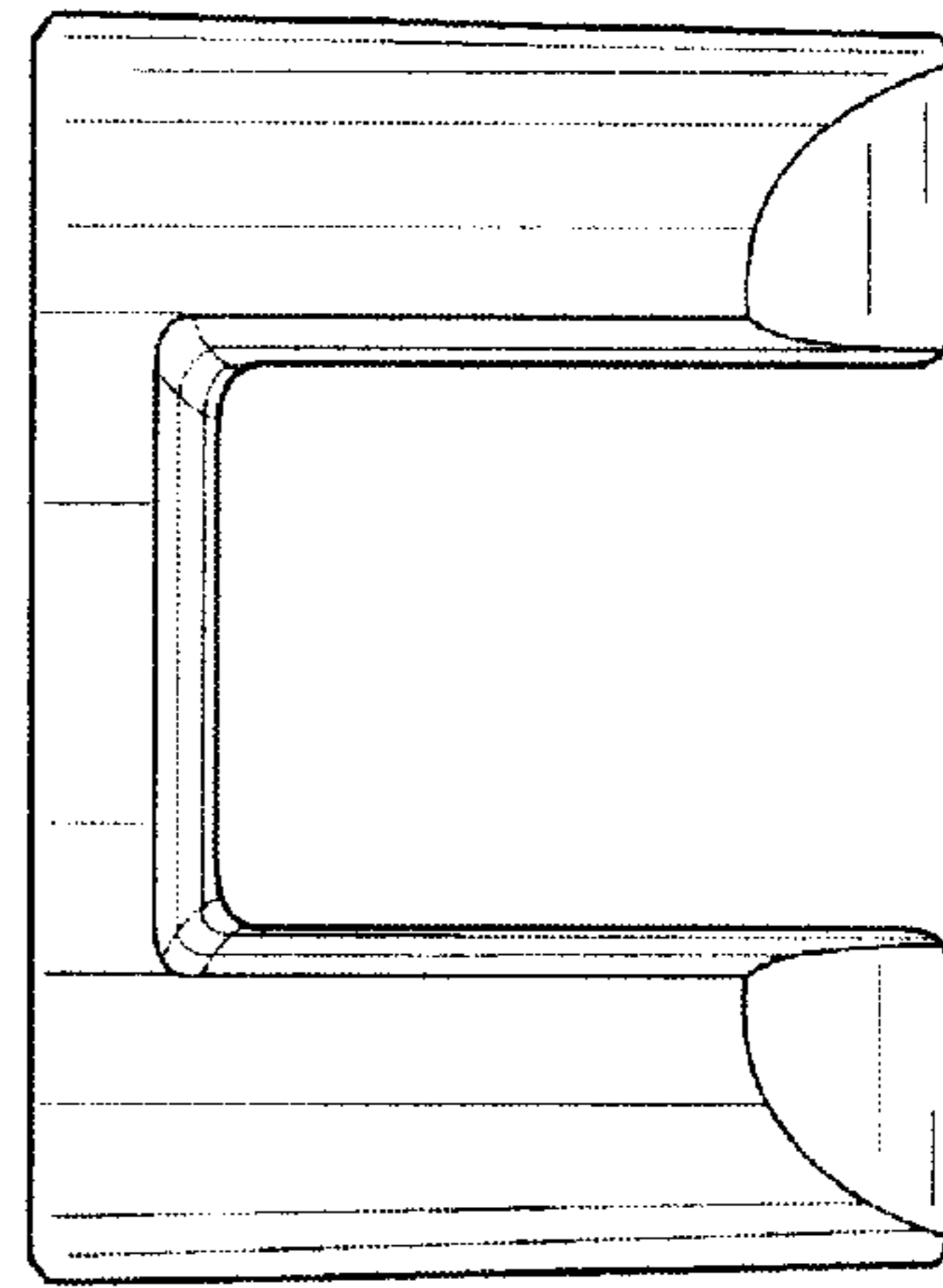


FIG. 2

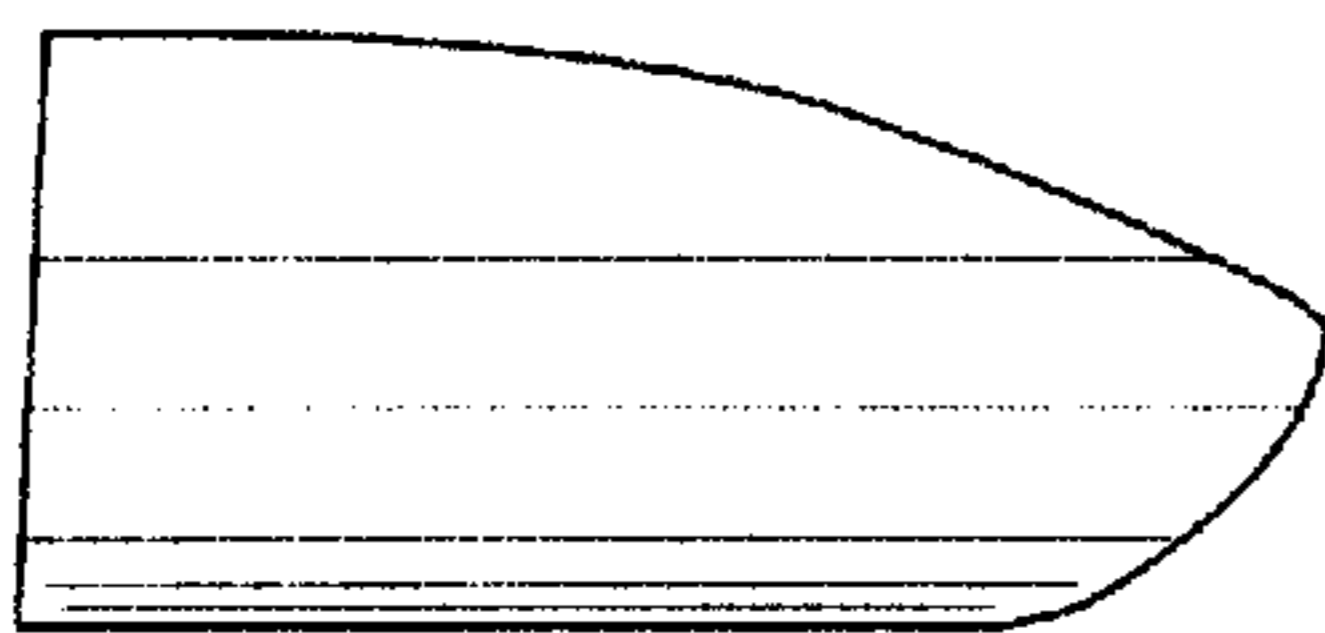


FIG. 3

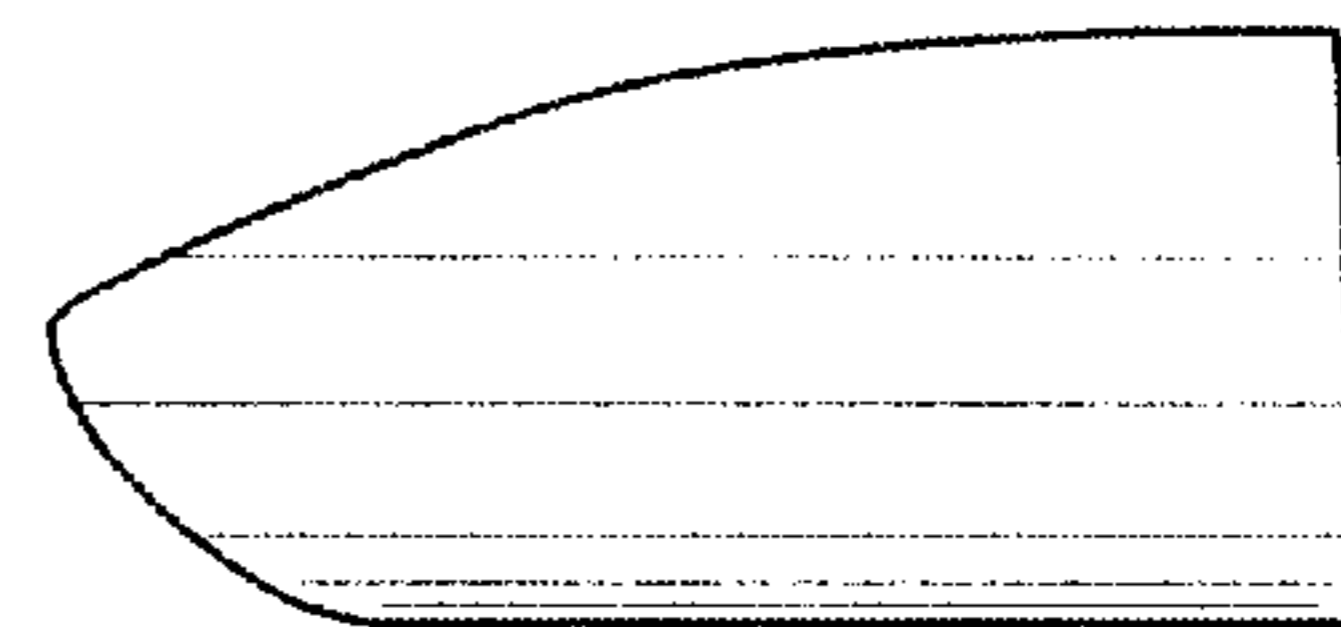


FIG. 4

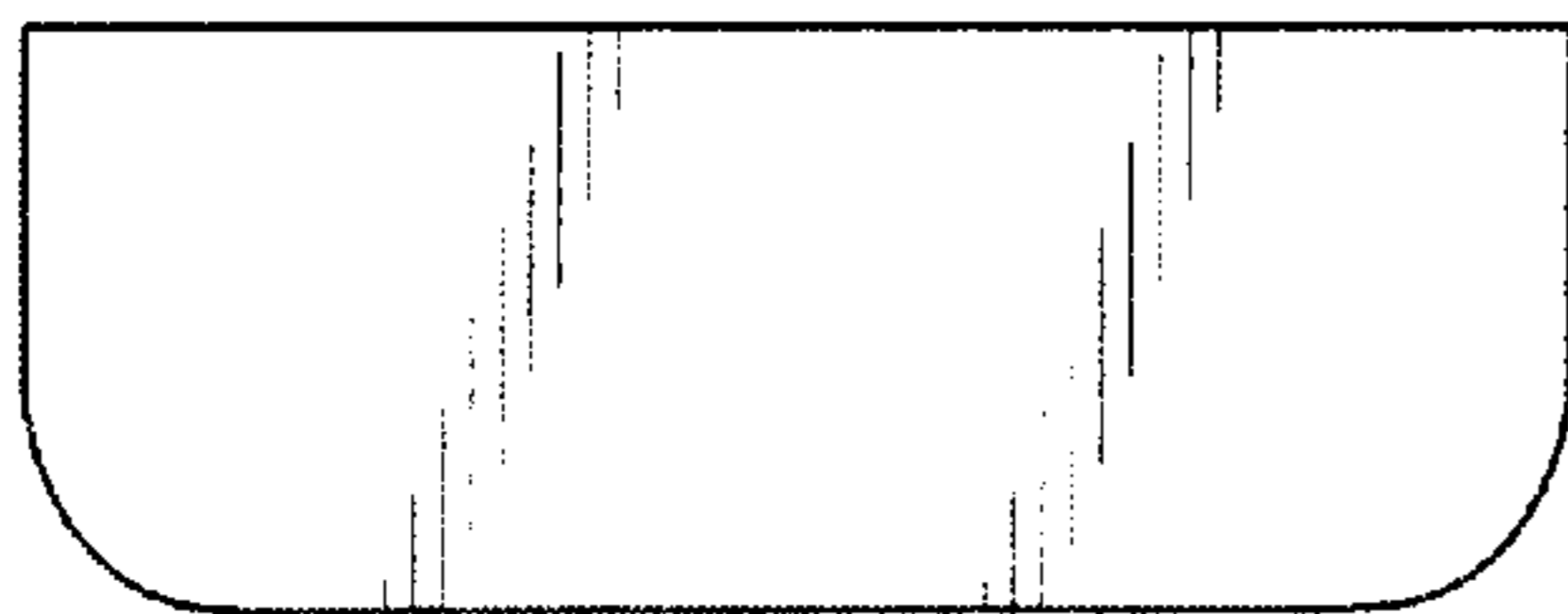


FIG. 5

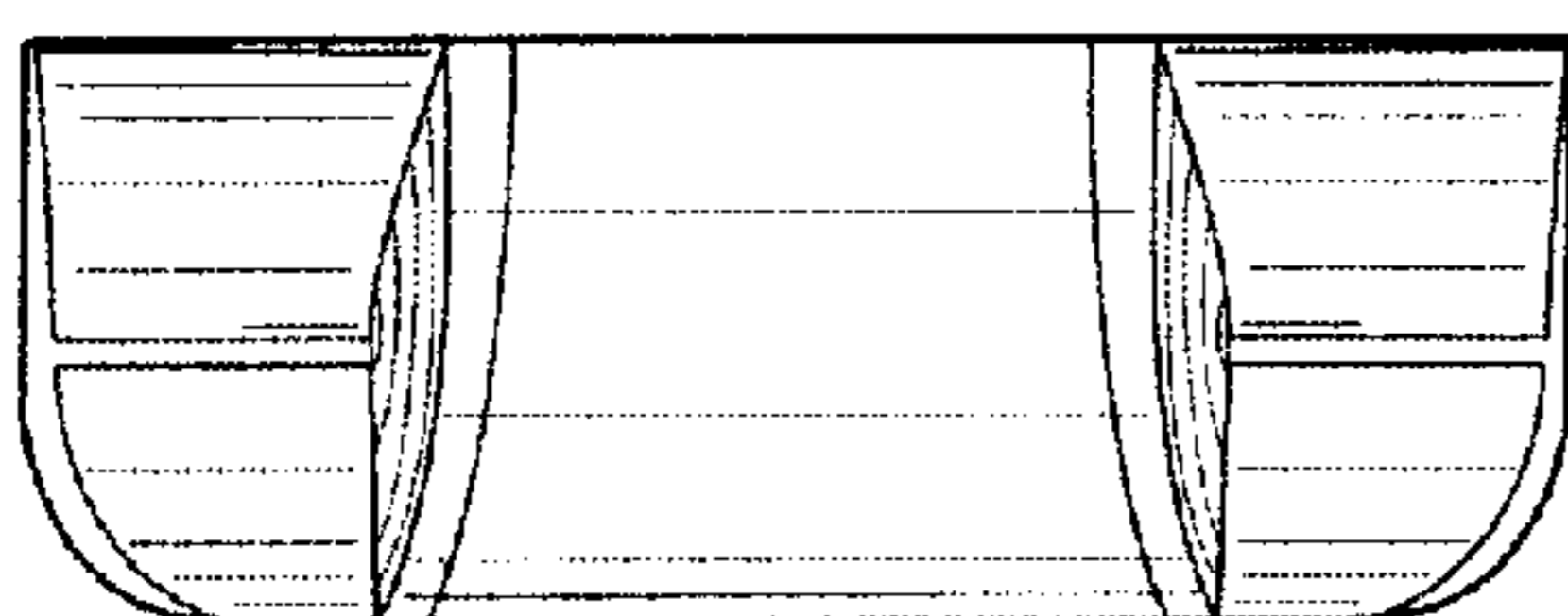


FIG. 6

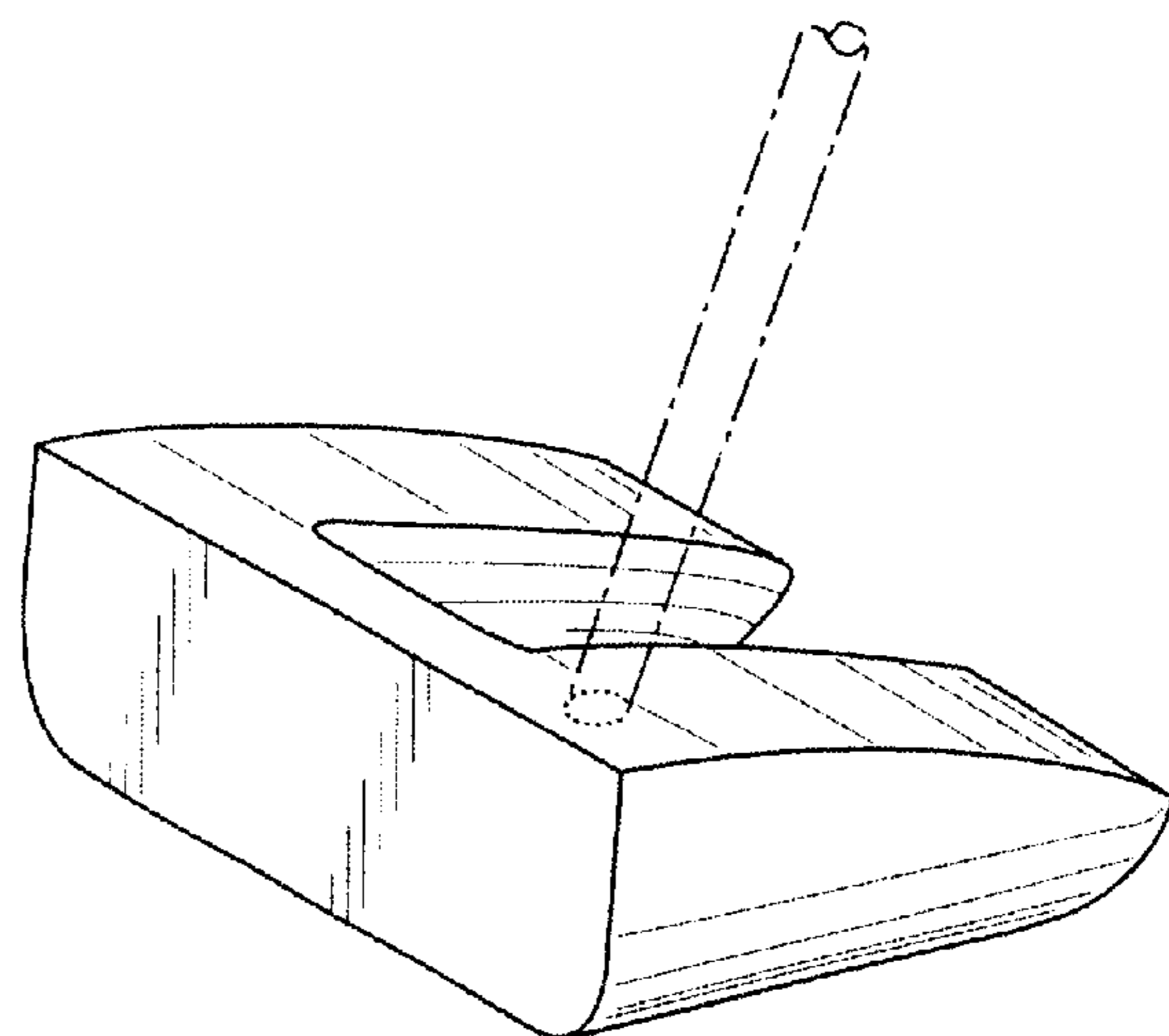


FIG. 7

