



US00D517142S

(12) **United States Design Patent**
Niwa

(10) **Patent No.:** **US D517,142 S**
(45) **Date of Patent:** **** Mar. 14, 2006**

(54) **GOLF CLUB**

(75) Inventor: **Katsumi Niwa**, Nagoya (JP)

(73) Assignee: **Yugenkaisha Kotobukinihachi**,
Nagoya (JP)

(**) Term: **14 Years**

(21) Appl. No.: **29/211,116**

(22) Filed: **Aug. 11, 2004**

(30) **Foreign Application Priority Data**

Apr. 13, 2004 (JP) 2004-011345

(51) **LOC (8) Cl.** **21-02**

(52) **U.S. Cl.** **D21/736**

(58) **Field of Classification Search** D21/735-746;
473/324-331, 251-256, 340, 341
See application file for complete search history.

(56) **References Cited**

U.S. PATENT DOCUMENTS

D207,538 S	*	5/1967	Burkland	D21/738
D207,539 S	*	5/1967	Burkland	D21/738
3,399,898 A	*	9/1968	Burkland	473/340
D223,766 S	*	6/1972	Houghtaling	D21/740

D226,107 S	*	1/1973	Indovina	D21/738
D234,524 S	*	3/1975	Leander	D21/738
D245,721 S	*	9/1977	Koch	D21/738
D255,592 S	*	6/1980	Krysakowski	D21/738
D341,642 S	*	11/1993	Brown et al.	D21/738
D355,233 S	*	2/1995	Burdick	D21/738
D434,819 S	*	12/2000	Hoare	D21/736
D440,267 S	*	4/2001	Stancin	D21/736

* cited by examiner

Primary Examiner—Mitchell Siegel

(74) *Attorney, Agent, or Firm*—Davis & Bujold, P.L.L.C.

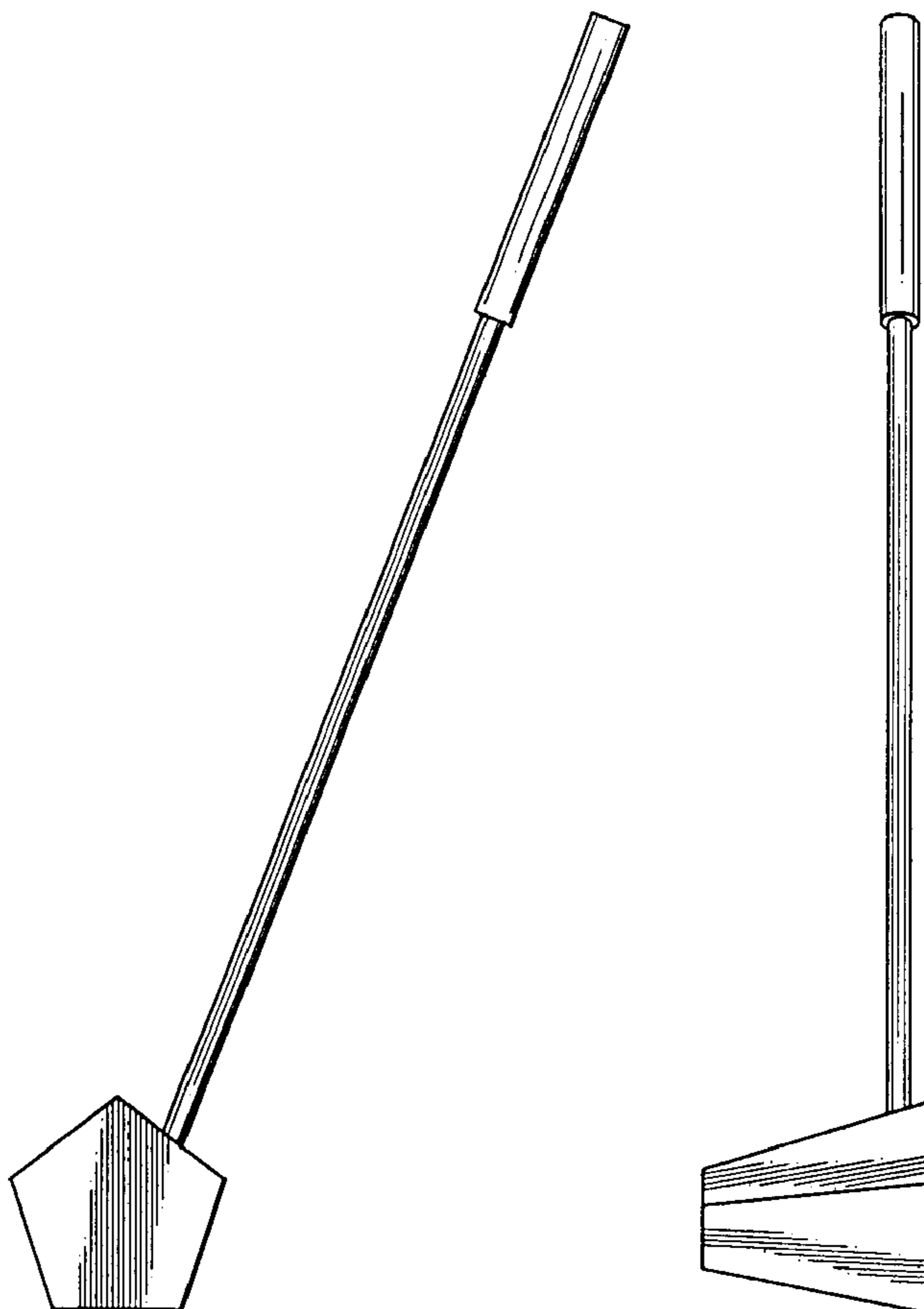
(57) **CLAIM**

I claim the ornamental design for a golf club, as shown and described.

DESCRIPTION

FIG. 1 is a front elevational view of a golf club embodying my new design;
FIG. 2 is a left side elevational view thereof;
FIG. 3 is a right side elevational view thereof;
FIG. 4 is a rear elevational view thereof;
FIG. 5 is a bottom plan view thereof; and,
FIG. 6 is a top plan view view thereof.

1 Claim, 1 Drawing Sheet



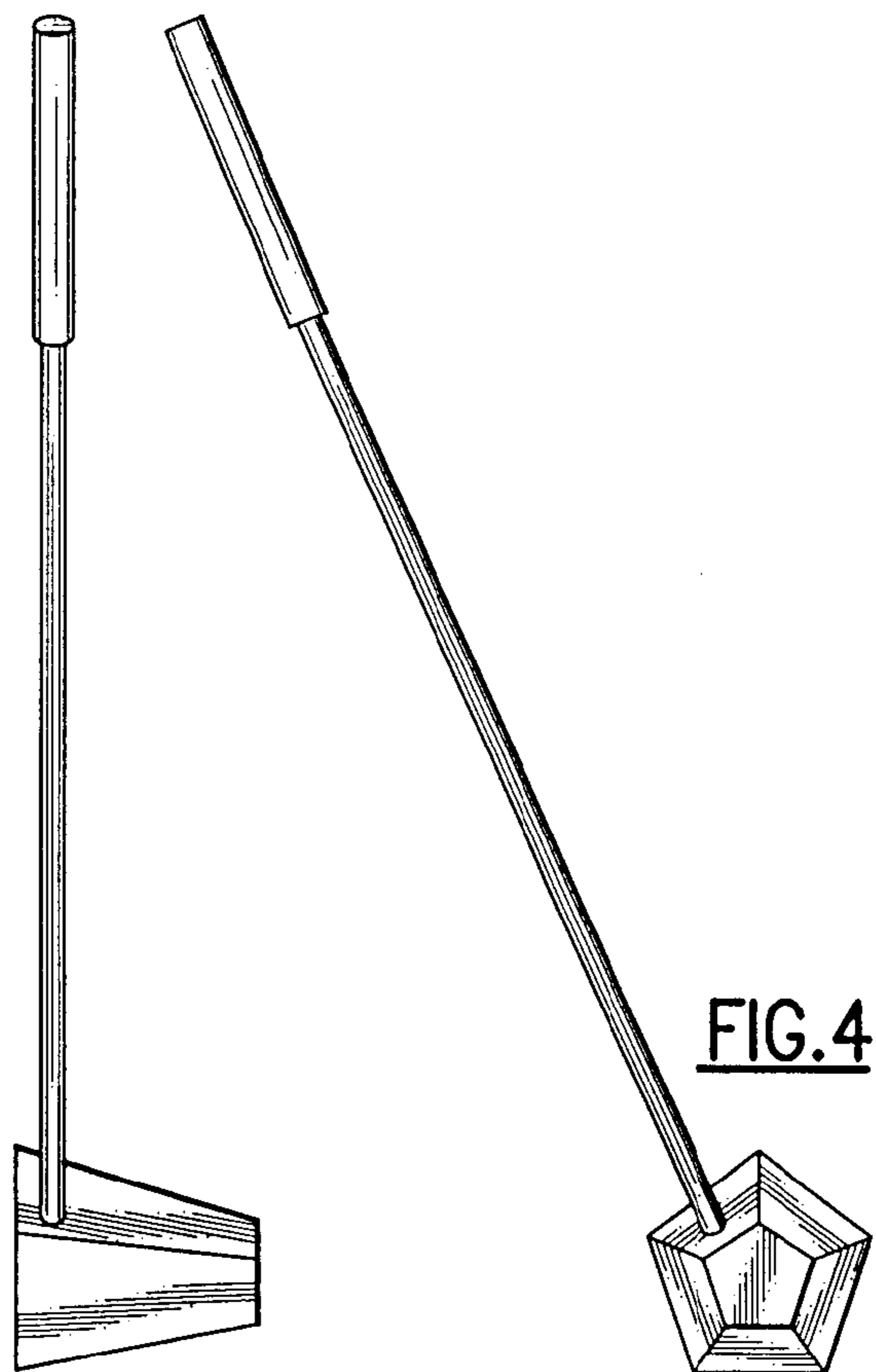
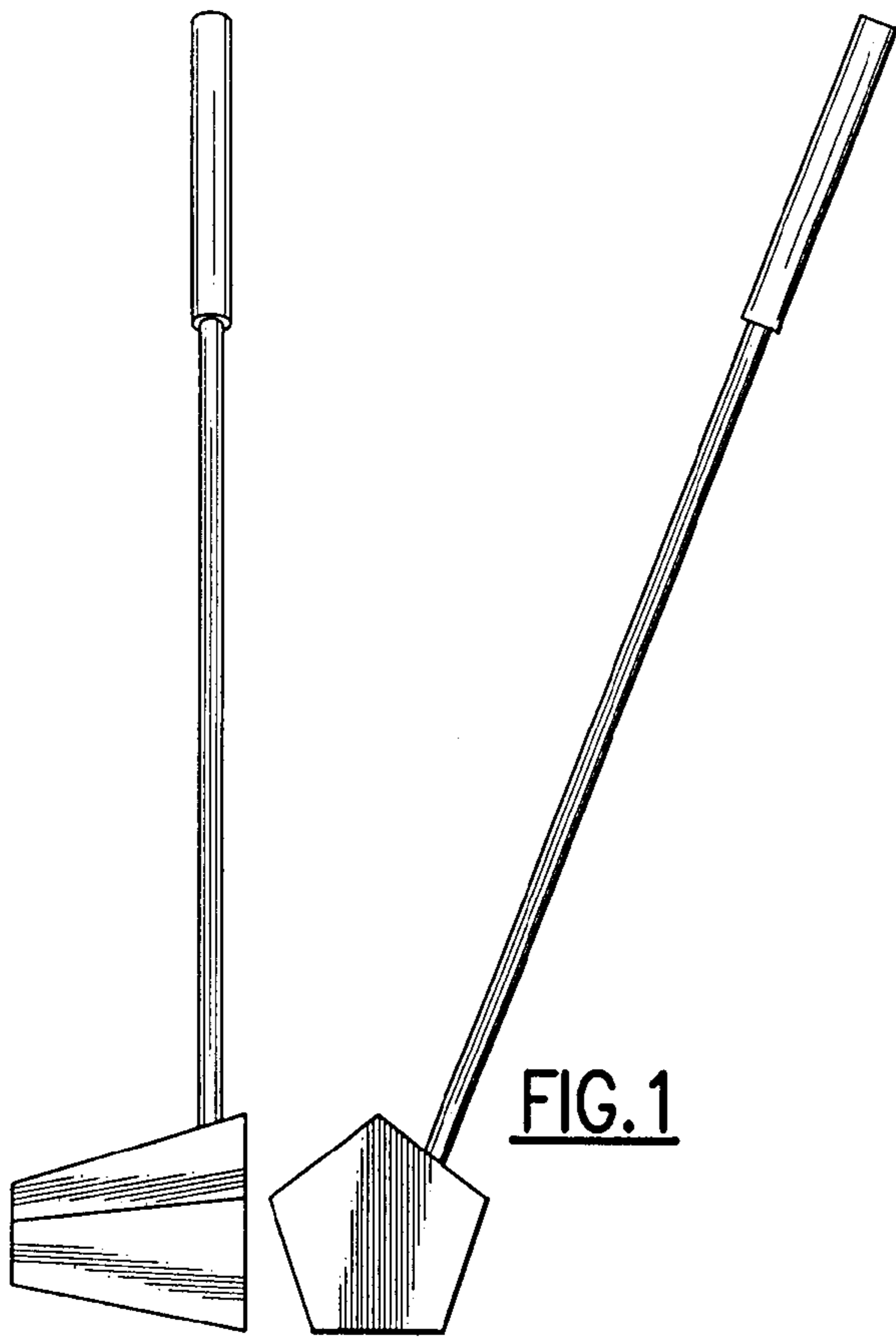
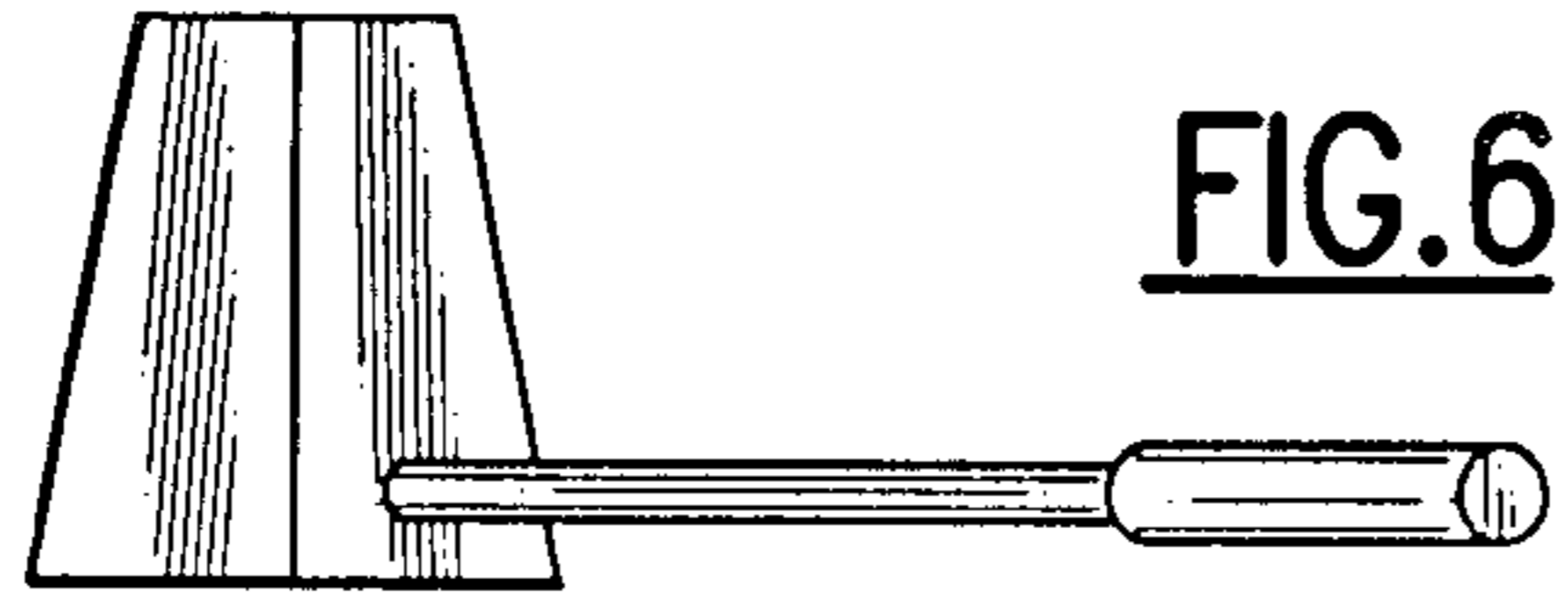


FIG. 2

FIG. 4

