



US00D517141S

(12) **United States Design Patent**
Niwa

(10) **Patent No.:** **US D517,141 S**
(45) **Date of Patent:** **** Mar. 14, 2006**

(54) **GOLF CLUB**

(75) Inventor: **Katsumi Niwa, Nagoya (JP)**

(73) Assignee: **Yugenkaisha Kotobukinihachi, Nagoyi (JP)**

(**) Term: **14 Years**

(21) Appl. No.: **29/211,113**

(22) Filed: **Aug. 11, 2004**

(30) **Foreign Application Priority Data**

Mar. 12, 2004 (JP) 2004-007468

(51) **LOC (8) Cl.** **21-02**

(52) **U.S. Cl.** **D21/736**

(58) **Field of Classification Search** D21/735-746;
473/324-331, 251-256, 340, 341

See application file for complete search history.

(56) **References Cited**

U.S. PATENT DOCUMENTS

D207,538 S	*	5/1967	Burkland	D21/738
D207,539 S	*	5/1967	Burkland	D21/738
3,399,898 A	*	9/1968	Burkland	473/340
D223,766 S	*	6/1972	Houghtaling	D21/740
D226,107 S	*	1/1973	Indovina	D21/738

D234,524 S	*	3/1975	Leander	D21/738
D245,721 S	*	9/1977	Koch	D21/738
D255,592 S	*	6/1980	Krysakowski	D21/738
D341,642 S	*	11/1993	Brown et al.	D21/738
D355,233 S	*	2/1995	Burdick	D21/738
D434,819 S	*	12/2000	Hoare	D21/736
D440,267 S	*	4/2001	Stancin	D21/736
6,688,990 B1	*	2/2004	Sanchez	473/340
6,702,689 B1	*	3/2004	Ashton	473/251
D495,018 S	*	8/2004	Ruffin	D21/736

* cited by examiner

Primary Examiner—Mitchell Siegel

(74) *Attorney, Agent, or Firm*—Davis & Bujold, P.L.L.C.

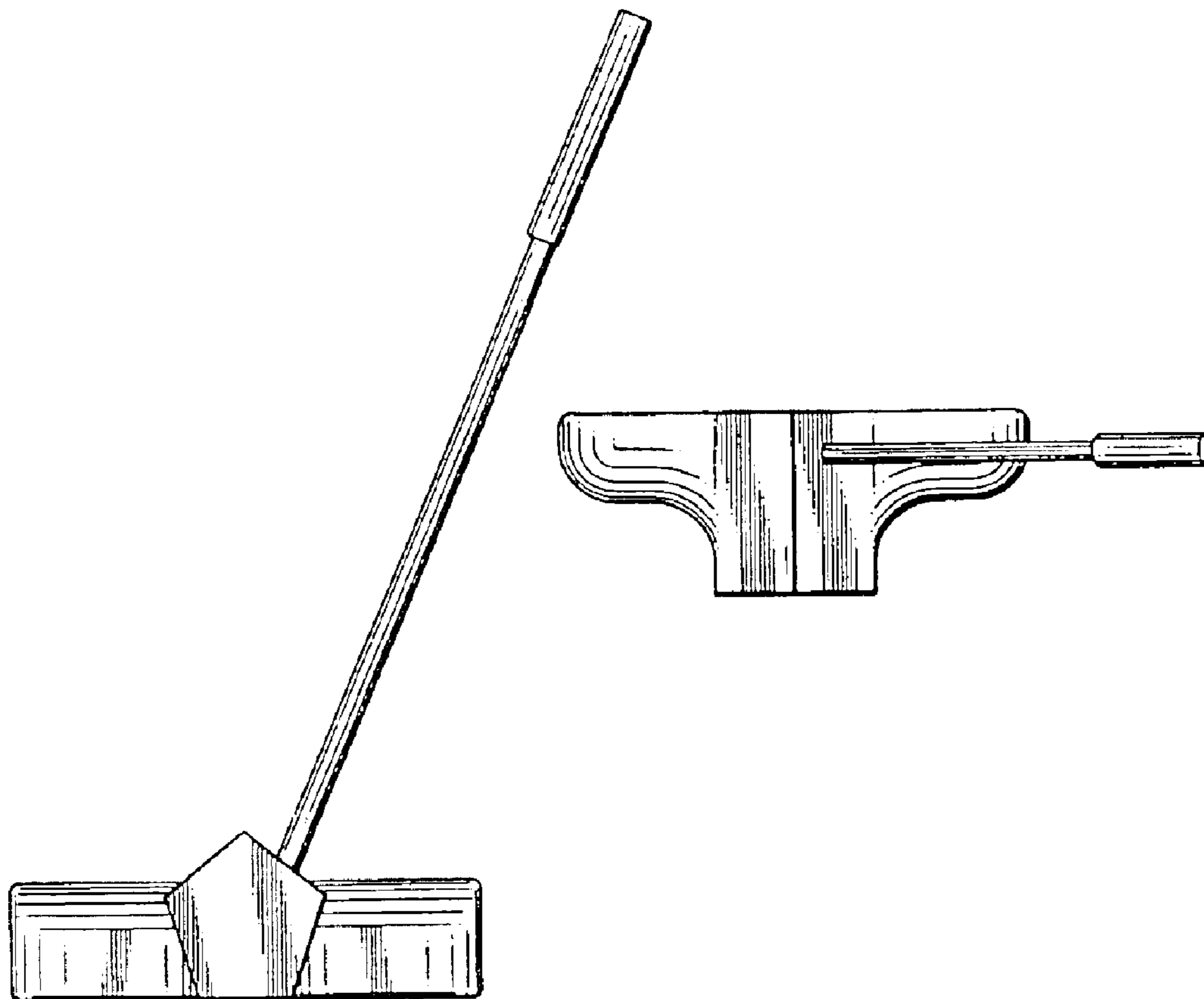
(57) **CLAIM**

I claim the ornamental design for a golf club, as shown and described.

DESCRIPTION

FIG. 1 is a front elevational view of a golf club embodying my new design;
FIG. 2 is a right side elevational view thereof;
FIG. 3 is a left side elevational view thereof;
FIG. 4 is a top plan view thereof;
FIG. 5 is a bottom plan view thereof; and,
FIG. 6 is a rear elevational view thereof.

1 Claim, 1 Drawing Sheet



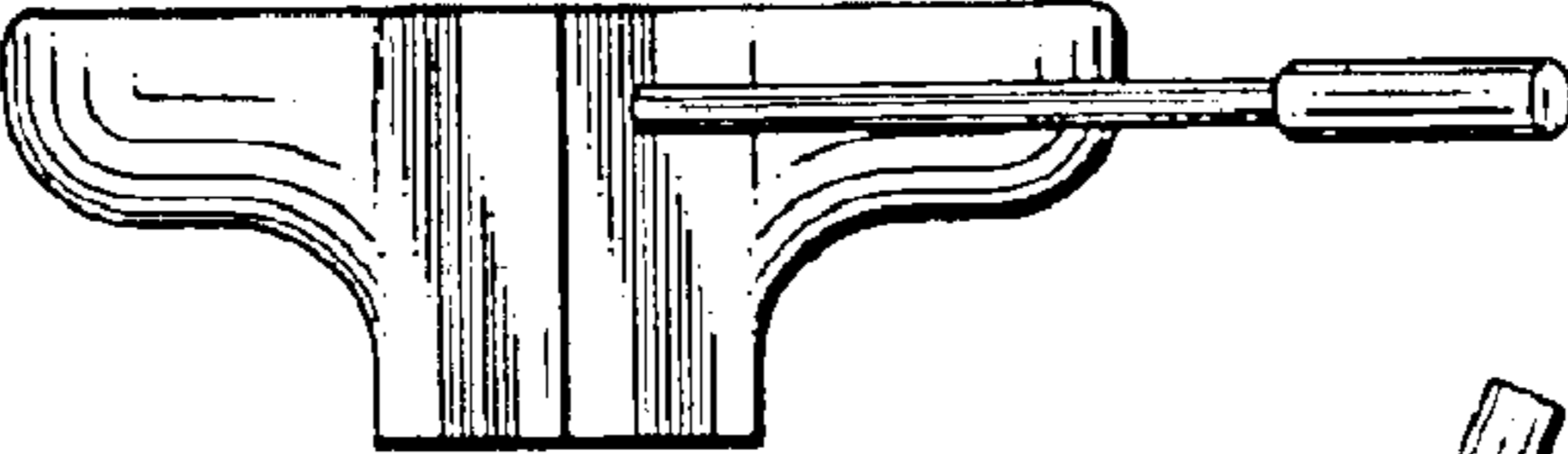


FIG. 4

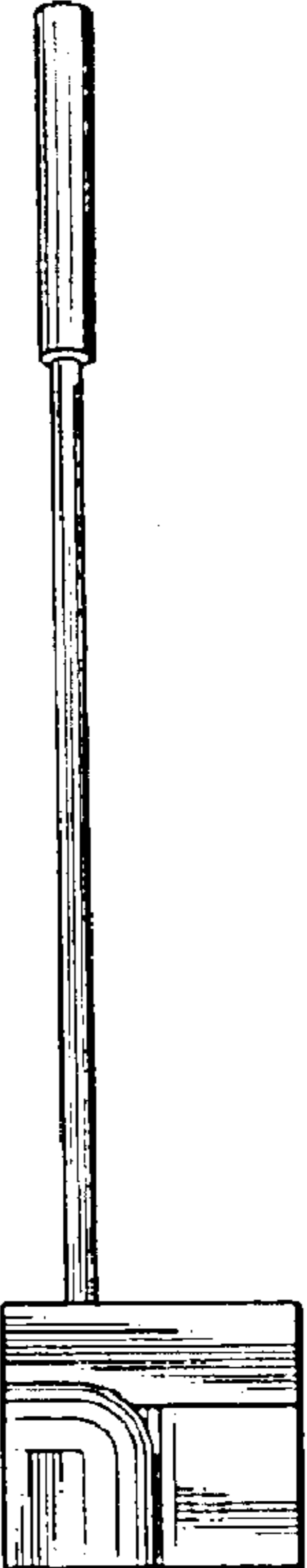


FIG. 3

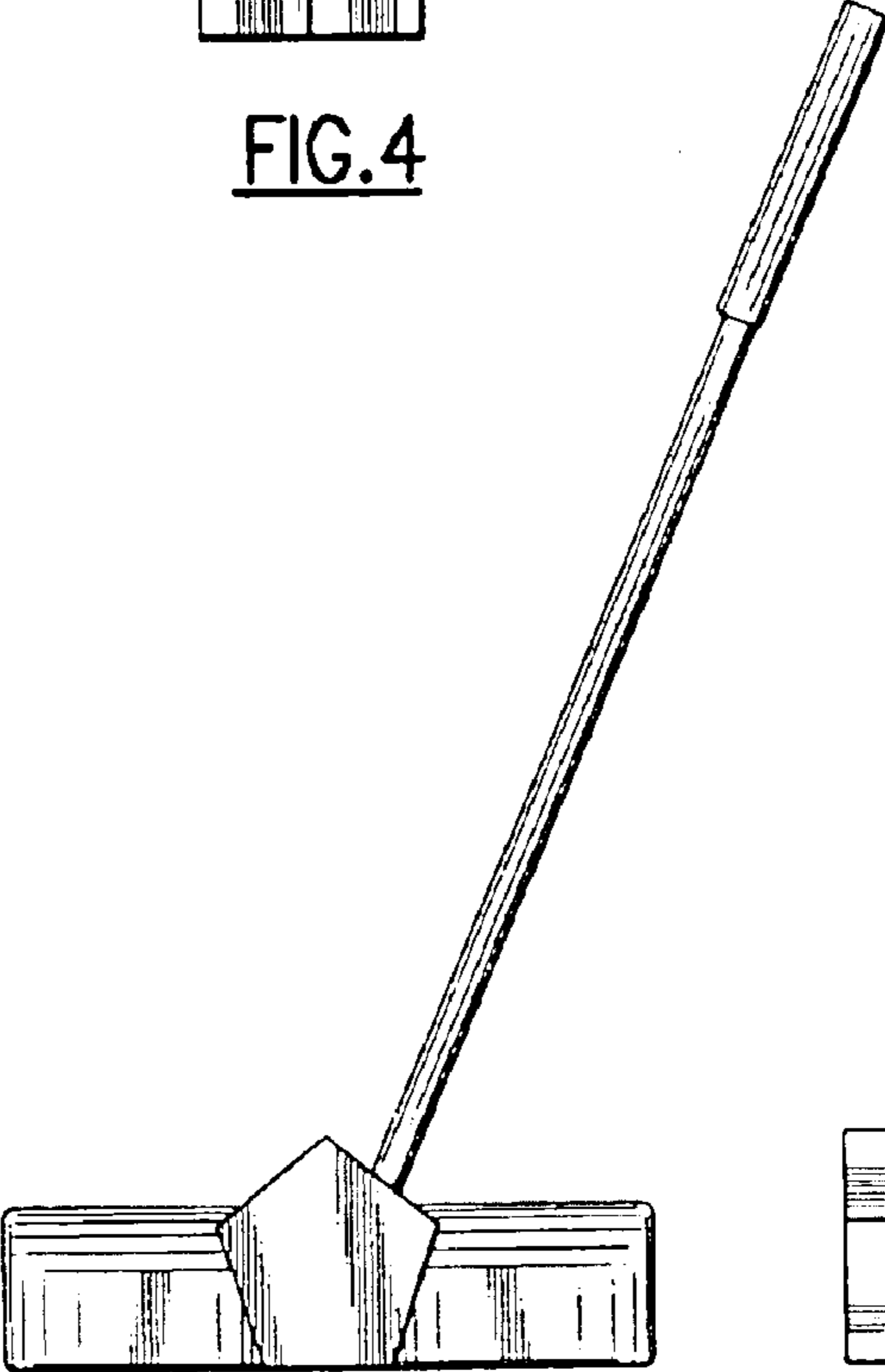


FIG. 1

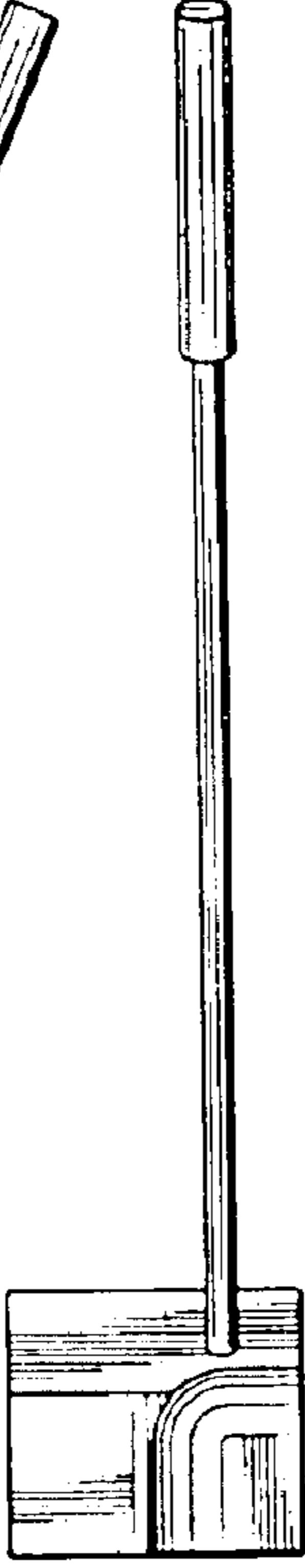


FIG. 2

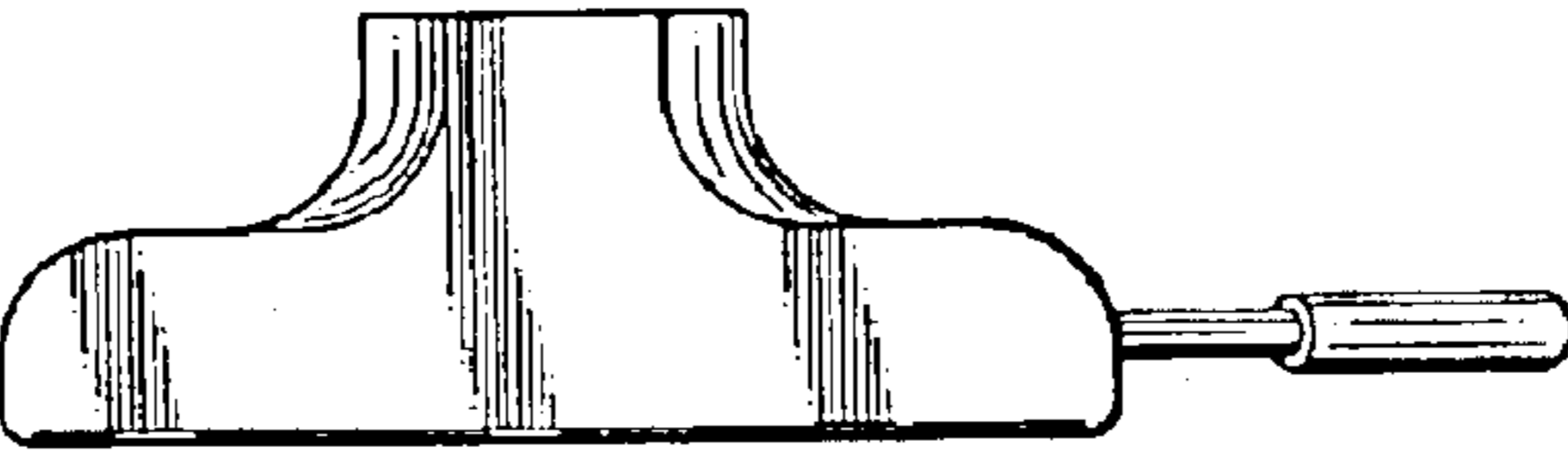


FIG. 5

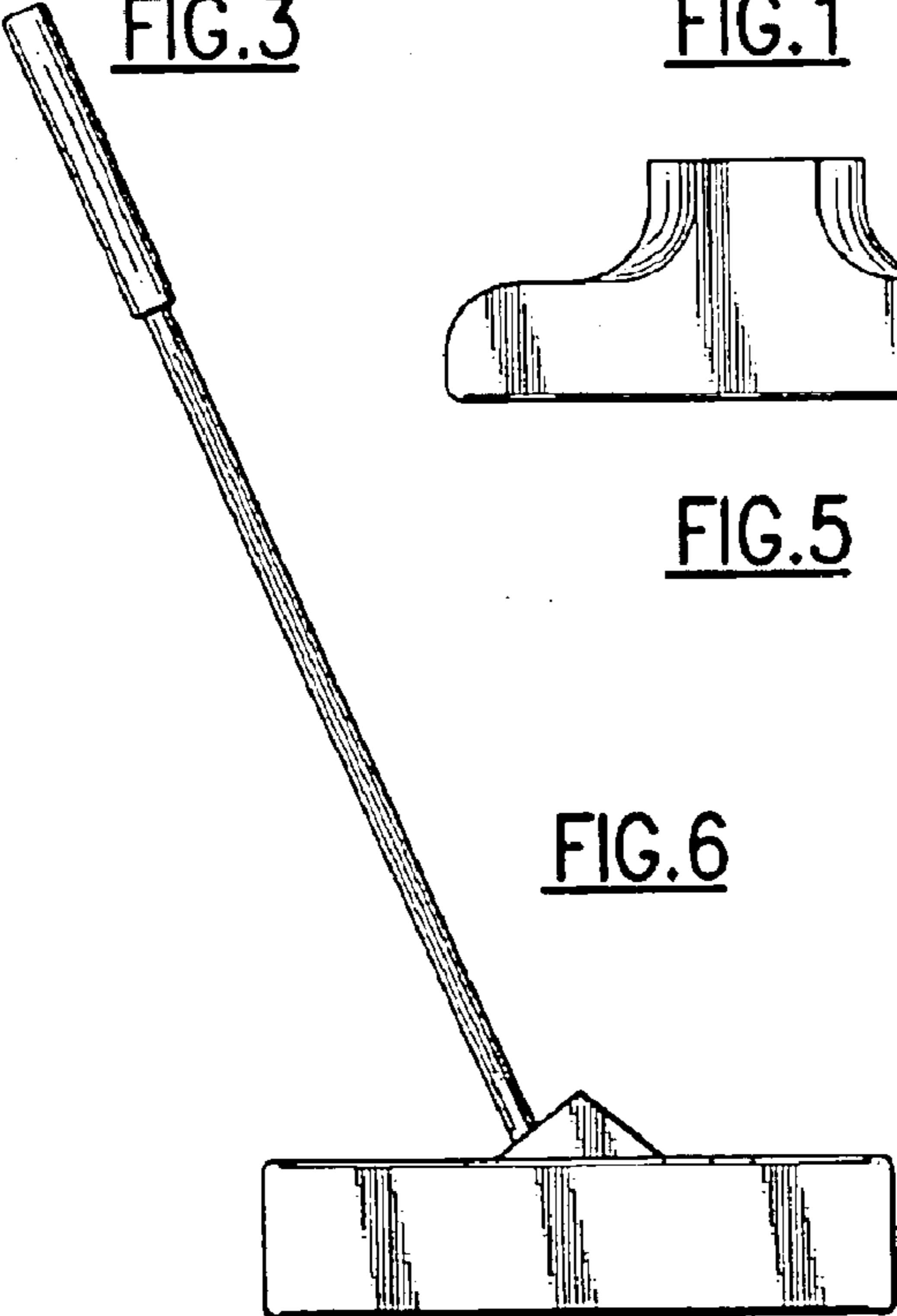


FIG. 6