



US00D517138S

(12) **United States Design Patent** (10) **Patent No.:** **US D517,138 S**
Barouh (45) **Date of Patent:** **** *Mar. 14, 2006**

(54) **GOLF TEE WITH BALL ELEVATING MEMBERS AND A HEIGHT ADJUSTMENT DEVICE**

WO WO 93/06897 * 4/1993

OTHER PUBLICATIONS

(75) Inventor: **Victor Barouh**, Old Westbury, NY (US)

U.S. Appl. No. 29/187,404—filed Aug. 1, 2003.

U.S. Appl. No. 11/071,228—filed Mar. 4, 2005.

(73) Assignee: **Barouh Eaton Allen Corp.**, Brooklyn, NY (US)

U.S. Appl. No. 29/224,565—filed Mar. 4, 2005.

(*) Notice: This patent is subject to a terminal disclaimer.

Primary Examiner—Catherine Tuttle

(74) *Attorney, Agent, or Firm*—Dinesh Agarwal, P.C.

(**) Term: **14 Years**

(57) **CLAIM**

The ornamental design for a golf tee with ball elevating members and a height adjustment device, as shown and described.

(21) Appl. No.: **29/224,564**

(22) Filed: **Mar. 4, 2005**

DESCRIPTION

(51) **LOC (8) Cl.** **21-02**

FIG. 1 is a perspective view of a golf tee with ball elevating members and a height adjustment device showing my new design;

(52) **U.S. Cl.** **D21/718**

FIG. 2 is a front elevational view of the golf tee with ball elevating members and a height adjustment device of FIG. 1, shown partially broken away at the lower end for ease of illustration;

(58) **Field of Classification Search** D21/715–721, D21/789–795; 473/386–403

See application file for complete search history.

FIG. 3 is a top plan view of the golf tee with ball elevating members and a height adjustment device of FIG. 1;

(56) **References Cited**

U.S. PATENT DOCUMENTS

1,553,561 A	9/1925	Scott
1,596,110 A	8/1926	Lynch
1,597,740 A	8/1926	Thompson
1,625,911 A	4/1927	Richards
1,638,448 A	8/1927	Manson
1,936,625 A	11/1933	Goldman
1,959,347 A	5/1934	Czizhos
2,700,788 A	2/1955	Hennelly
3,041,071 A	6/1962	Flalon
3,079,158 A	2/1963	Finn et al.
3,114,557 A	12/1963	Cabot
3,203,700 A	8/1965	Antonious

FIG. 4 is a rear elevational view of the golf tee with ball elevating members and a height adjustment device of FIG. 1;

FIG. 5 is a bottom plan view of the golf tee with ball elevating members and a height adjustment device of FIG. 1;

FIG. 6 is a left side view of the golf tee with ball elevating members and a height adjustment device of FIG. 1, the right side view being a mirror image thereof; and,

FIG. 7 is a perspective view of the golf tee with ball elevating members and a height adjustment device of FIG. 1, shown in use on a golf course.

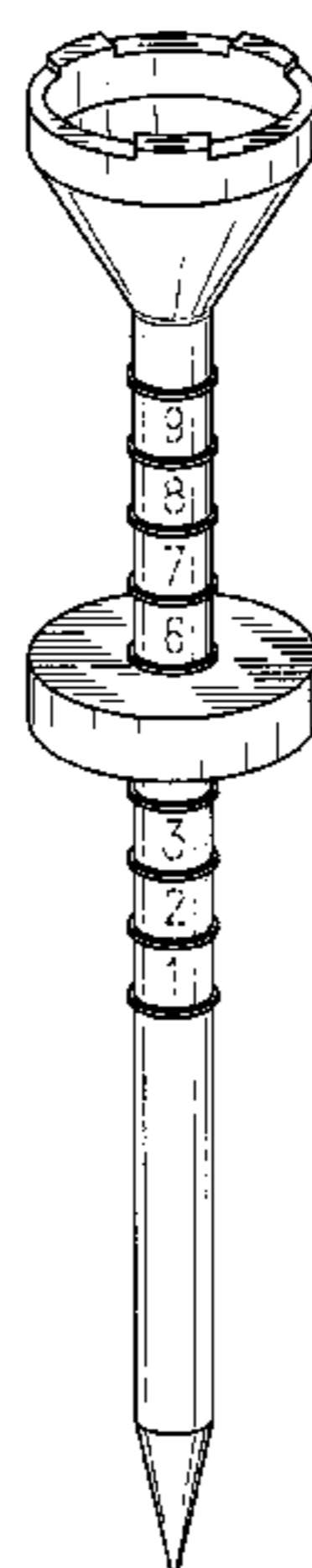
The matter shown in phantom lines in FIGS. 1, 2, and 7 is for illustrative purposes only and forms no part of the claimed design.

(Continued)

FOREIGN PATENT DOCUMENTS

AU	2003100408 A4 *	8/2003
GB	2048082 A *	12/1980
JP	2004236901 A *	8/2004
JP	2004344250 A *	12/2004

1 Claim, 3 Drawing Sheets



US D517,138 S

Page 2

U.S. PATENT DOCUMENTS

3,408,079 A	10/1968	Kirikos		5,569,102 A	10/1996	Karron	
3,883,144 A	5/1975	Lazow		5,571,055 A	11/1996	Lewis et al.	
3,899,179 A	8/1975	Vlach		5,672,122 A	9/1997	Strong	
4,128,245 A	12/1978	Vlach		5,720,677 A	2/1998	Rudduck	
4,516,773 A	* 5/1985	Martin 473/391	5,890,976 A	4/1999	Anderson	
4,544,159 A	10/1985	Sells		D411,276 S	6/1999	Rosenfeld	
D293,261 S	12/1987	Sadowski		D413,640 S	9/1999	Fearer, III	
D306,194 S	2/1990	Sadowski		6,017,282 A	1/2000	Stefonsky	
5,052,689 A	10/1991	Lettrich		D428,954 S	8/2000	Tate	
5,240,254 A	8/1993	Adlam		6,475,107 B1	11/2002	Sand	
D346,190 S	* 4/1994	Folker D21/718	D468,379 S	1/2003	Gan	
D350,178 S	8/1994	Kristorich		6,729,977 B1	* 5/2004	Young et al. 473/398
5,356,146 A	10/1994	Blosser		D492,374 S	6/2004	Barouh	
D360,006 S	7/1995	Samples		2004/0152542 A1	* 8/2004	Blum et al. 473/400
5,437,446 A	8/1995	Youngkin		2005/0026726 A1	2/2005	Barouh	
D370,041 S	5/1996	Thomas		2005/0026727 A1	2/2005	Barouh	

* cited by examiner

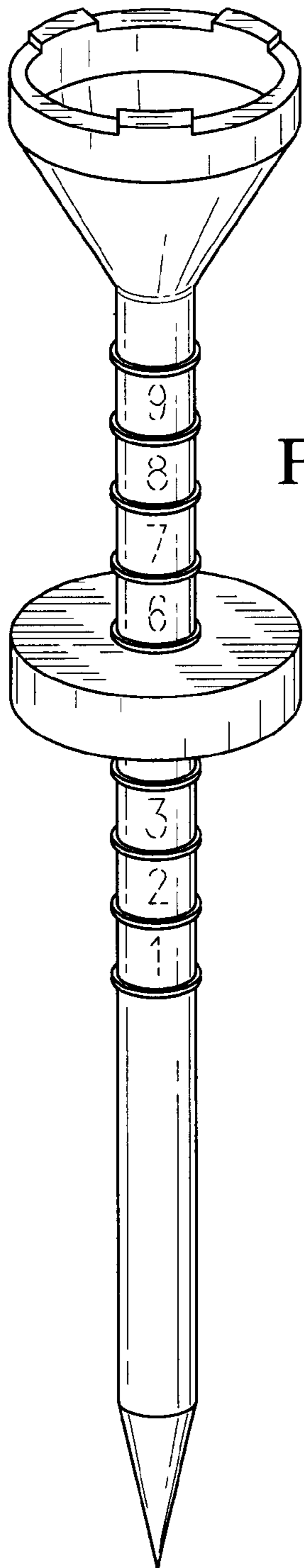


FIG. 1

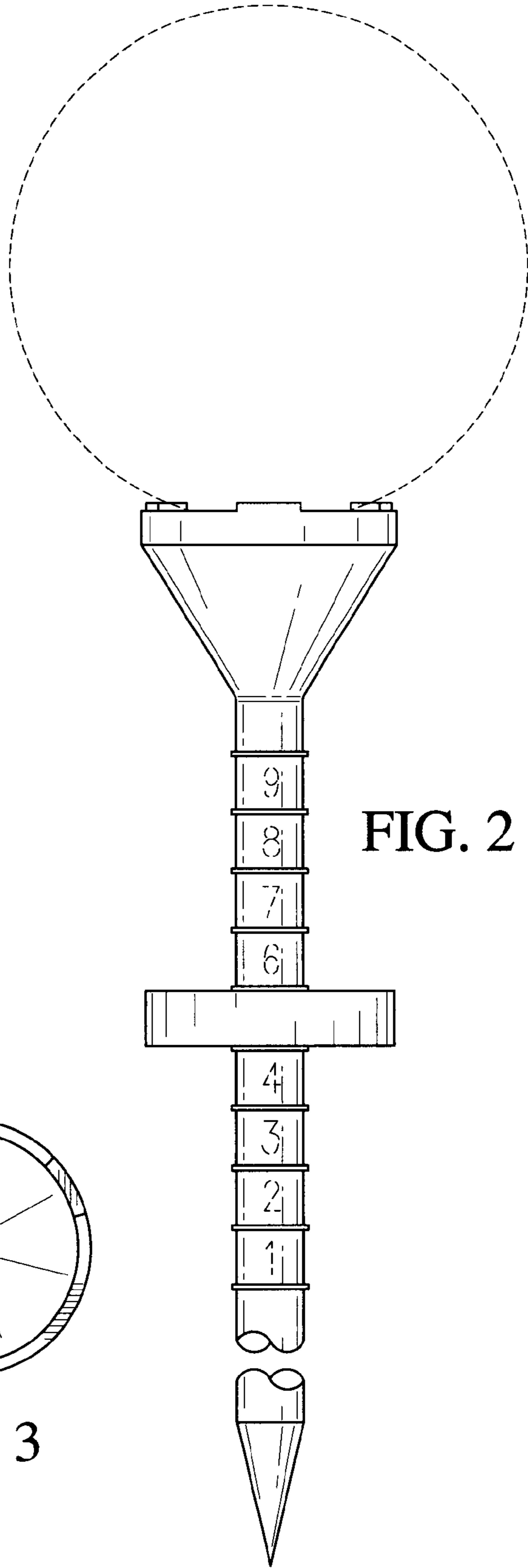


FIG. 2

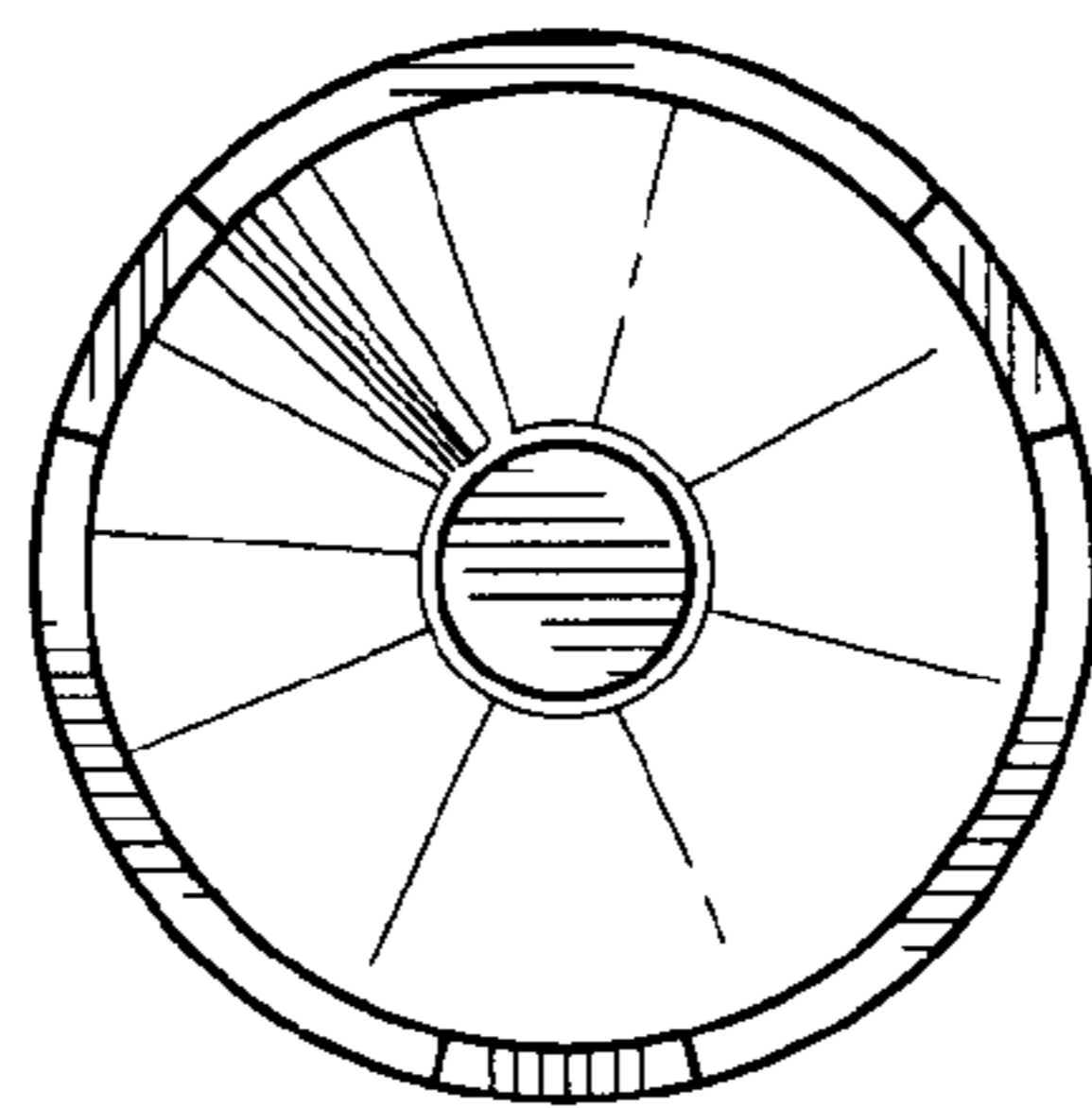


FIG. 3

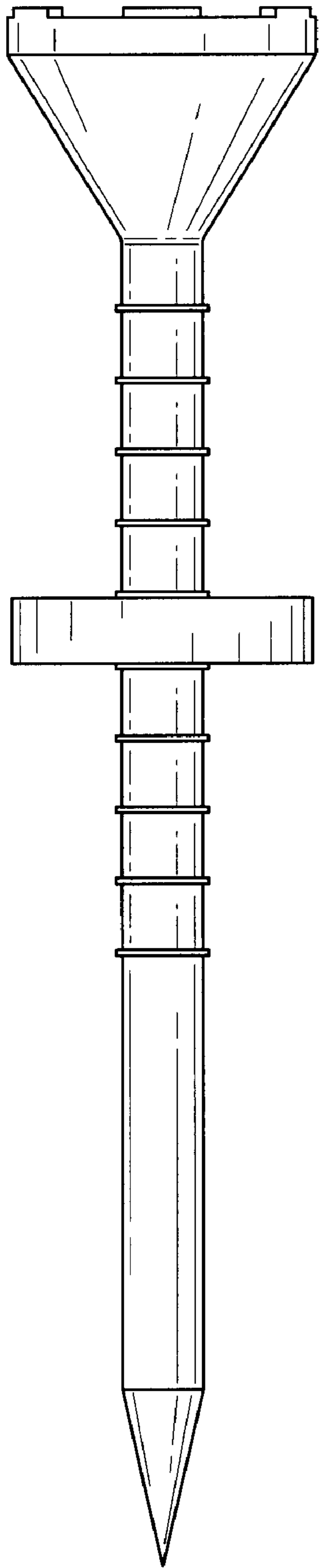


FIG. 4

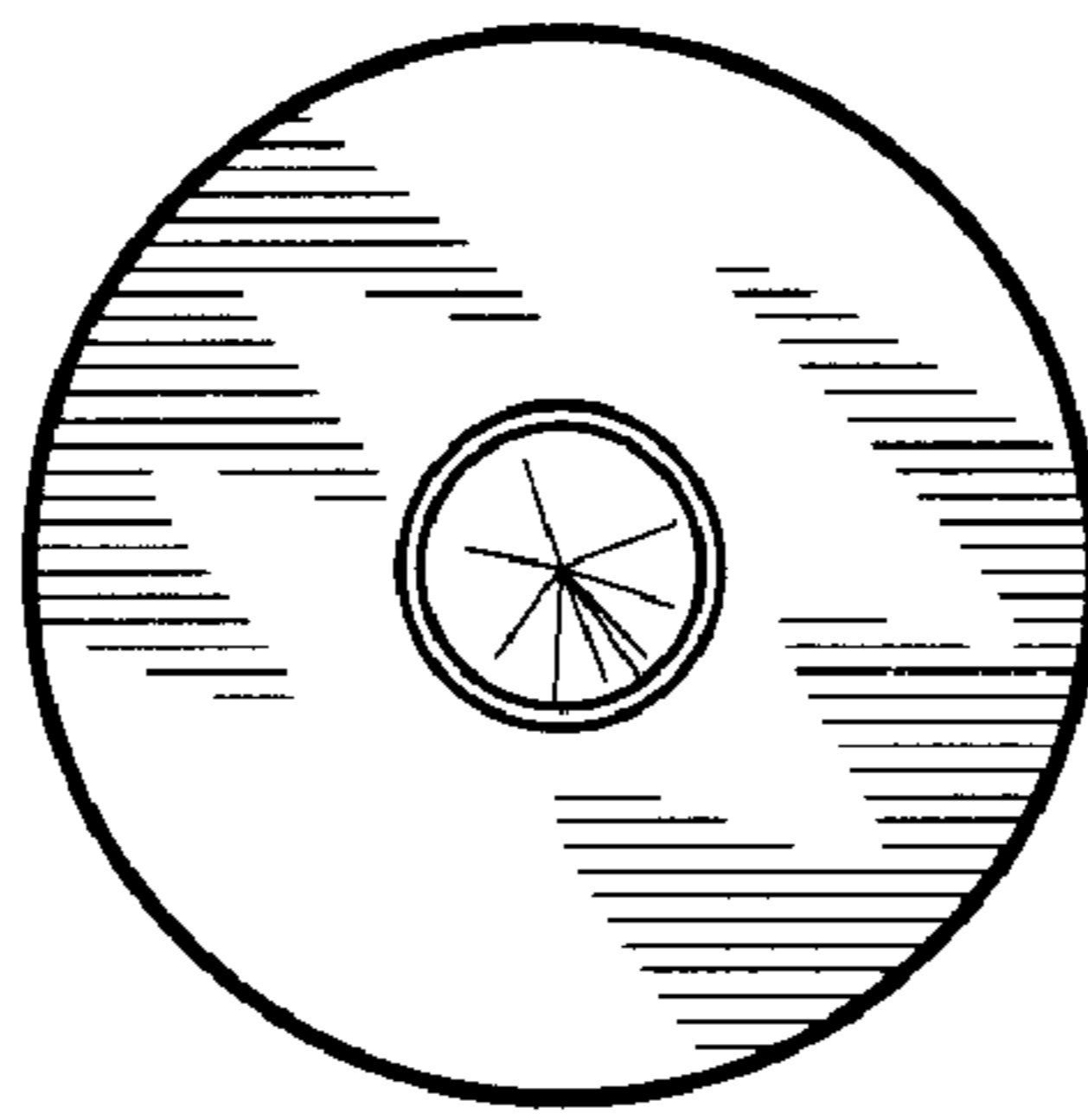


FIG. 5

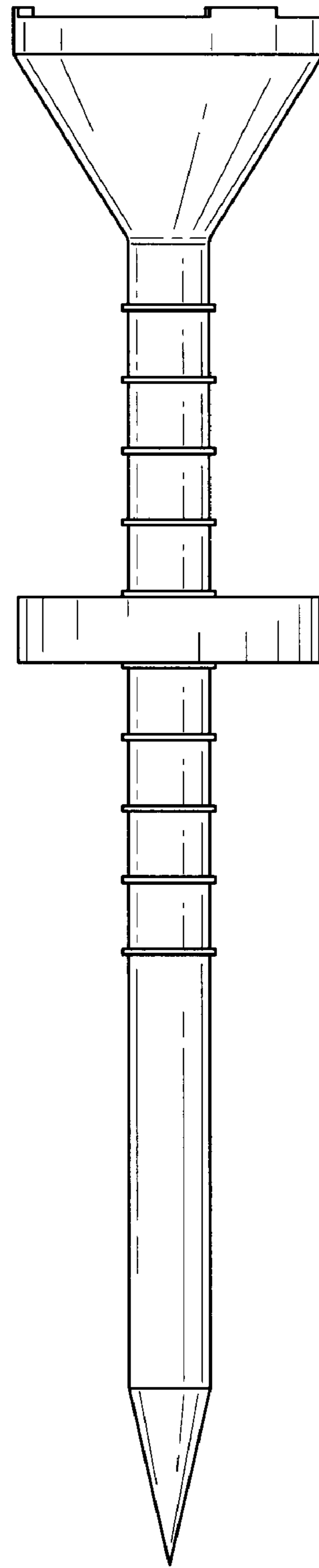


FIG. 6

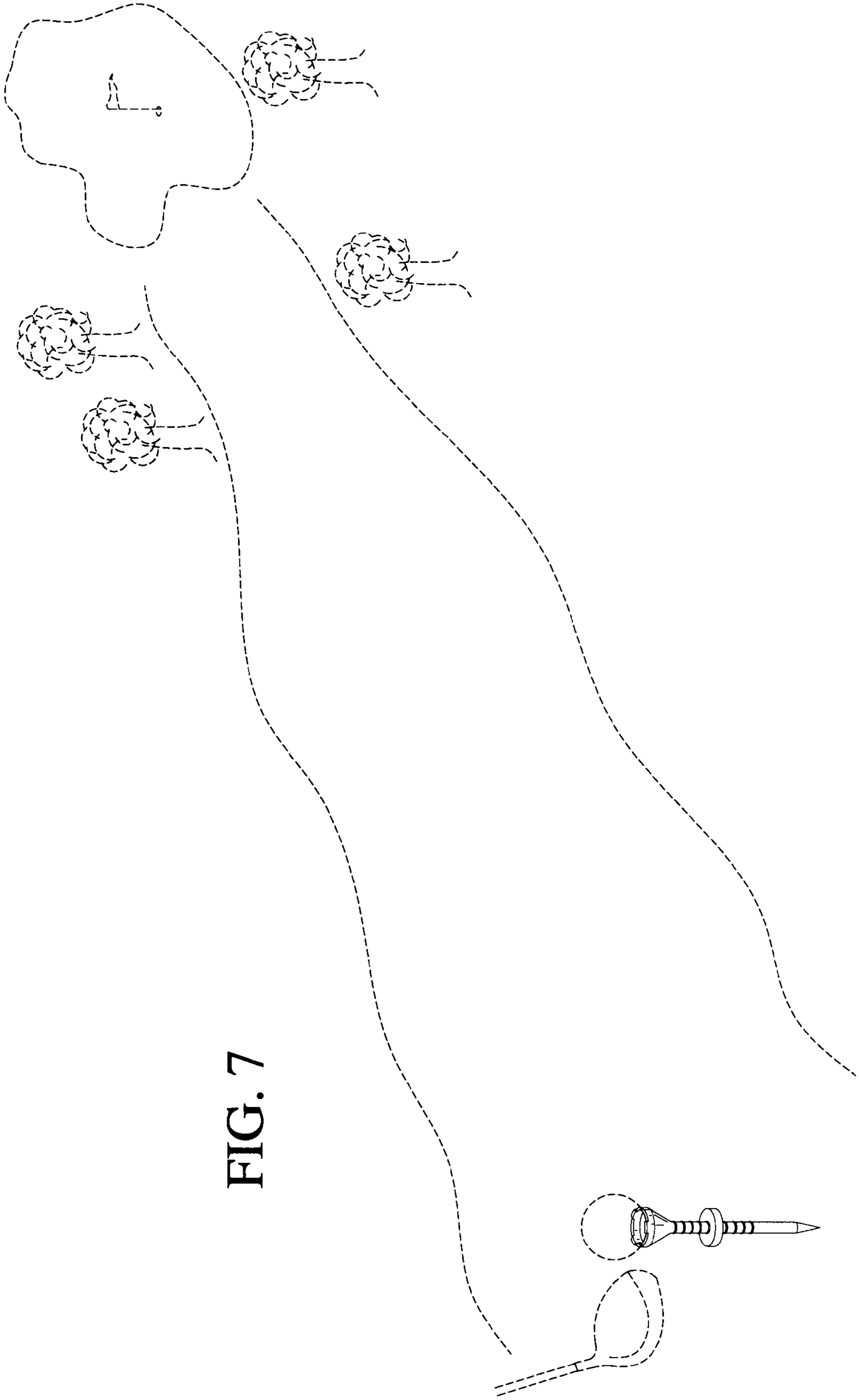


FIG. 7