



US00D517135S

(12) **United States Design Patent**
Klein

(10) **Patent No.:** **US D517,135 S**
(45) **Date of Patent:** **** Mar. 14, 2006**

(54) **TRAINING DEVICE**

(76) **Inventor:** **Frank Klein**, Widenmayerstrasse 7,
80538 Muenchen (DE)

(**) **Term:** **14 Years**

(21) **Appl. No.:** **29/197,285**

(22) **Filed:** **Jan. 14, 2004**

(30) **Foreign Application Priority Data**

Jul. 14, 2003 (EP) I 000051461

(51) **LOC (8) Cl.** **21-02**

(52) **U.S. Cl.** **D21/679**

(58) **Field of Classification Search** D21/662,
D21/679, 684, 692; 482/108, 109, 110, 91,
482/92, 127, 148

See application file for complete search history.

(56) **References Cited**

U.S. PATENT DOCUMENTS

D263,327 S *	3/1982	Cooper	D21/679
4,634,121 A *	1/1987	Sasaki	473/457
5,022,648 A *	6/1991	Travis	482/126
D330,738 S *	11/1992	Lenhardt	D21/679
5,244,445 A *	9/1993	Amesquita	482/110
D351,878 S *	10/1994	Globus	D21/679
D365,861 S *	1/1996	Moss et al.	D21/679
5,656,002 A *	8/1997	Dittmeier	482/91
D407,770 S *	4/1999	Thomas	D21/679
2002/0198476 A1	12/2002	Chen	601/84
2003/0054925 A1	3/2003	Burkhardt	482/92

FOREIGN PATENT DOCUMENTS

DE	3310244 C2	3/1983
DE	G8318462.7	6/1983

DE 20001973 U1 2/2000

* cited by examiner

Primary Examiner—Philip S. Hyder

(74) *Attorney, Agent, or Firm*—Crowell & Moring LLP

(57) **CLAIM**

The ornamental design for a training device, as shown and described.

DESCRIPTION

FIG. 1 is a perspective view of a first embodiment of a training device according to my novel design;

FIG. 2 is a front view of the first embodiment of the training device according to my novel design, the rear, top and bottom views being identical thereto;

FIG. 3 is a left side view of the first embodiment of the training device according to my novel design; the right side view being identical thereto;

FIG. 4 is a perspective view of a second embodiment of a training device according to my novel design;

FIG. 5 is a front view of the second embodiment of the training device according to my novel design, the rear, top and bottom views being identical thereto;

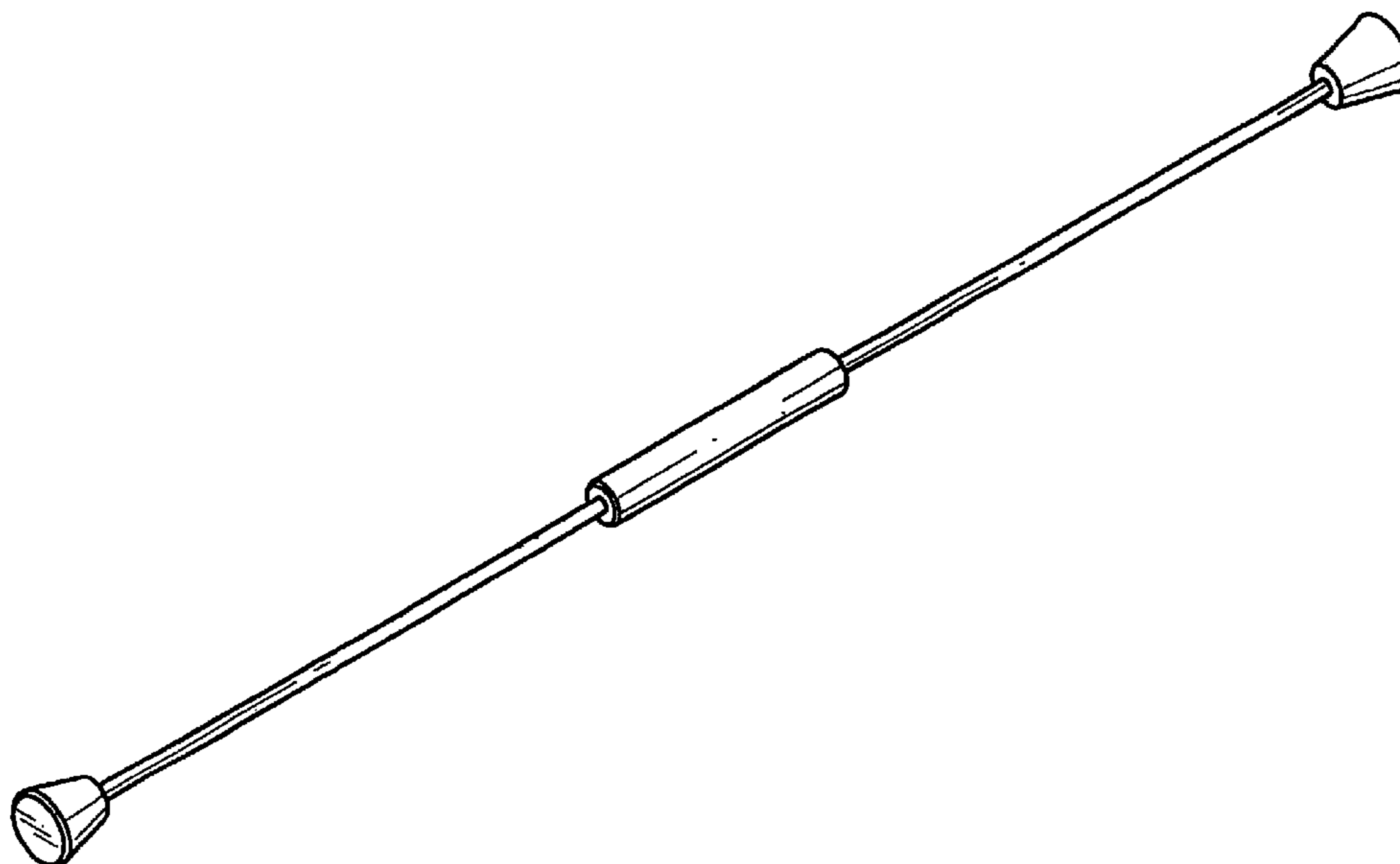
FIG. 6 is a left side view of the second embodiment of the training device according to my novel design; the right side view being identical thereto;

FIG. 7 is a perspective view of a third embodiment of a training device according to my novel design;

FIG. 8 is a front view of the third embodiment of the training device according to my novel design, the rear, top and bottom views being identical thereto; and,

FIG. 9 is a left side view of the third embodiment of the training device according to my novel design; the right side view being identical thereto.

1 Claim, 3 Drawing Sheets



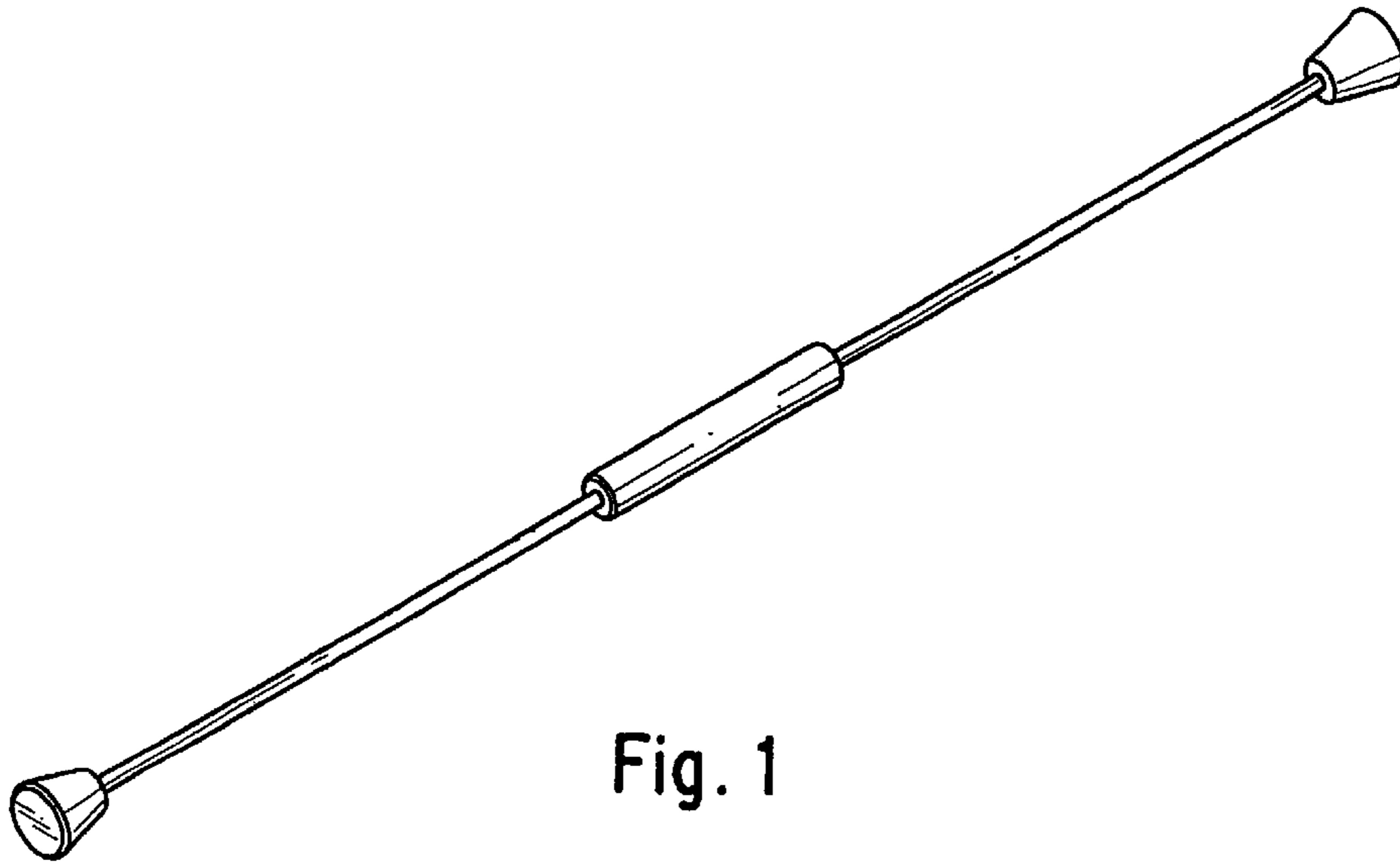


Fig. 1

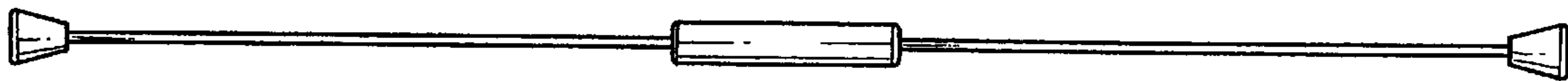


Fig. 2



Fig. 3

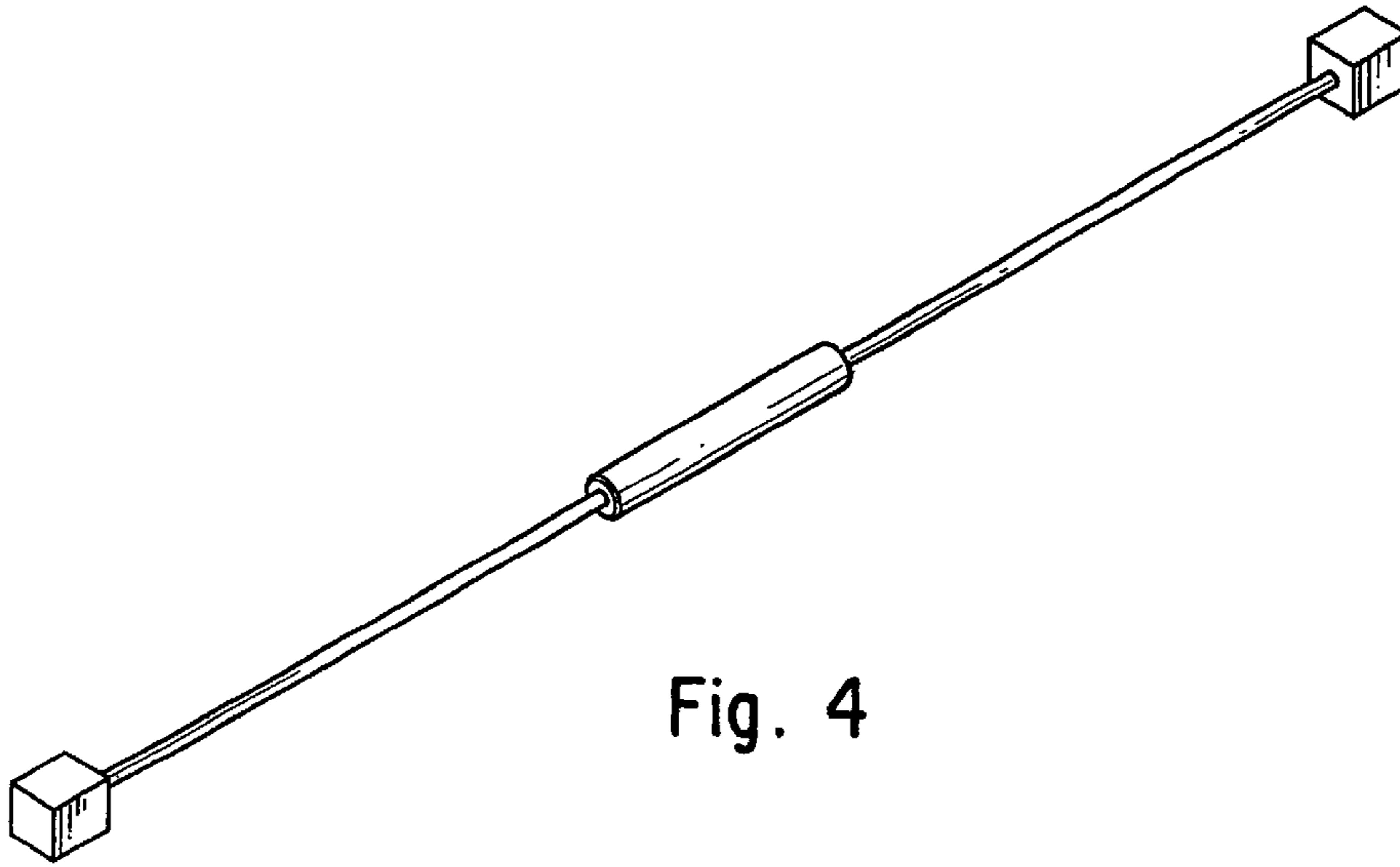


Fig. 4

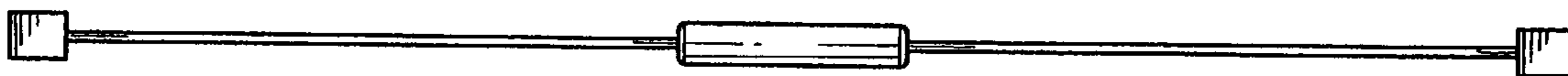


Fig. 5



Fig. 6

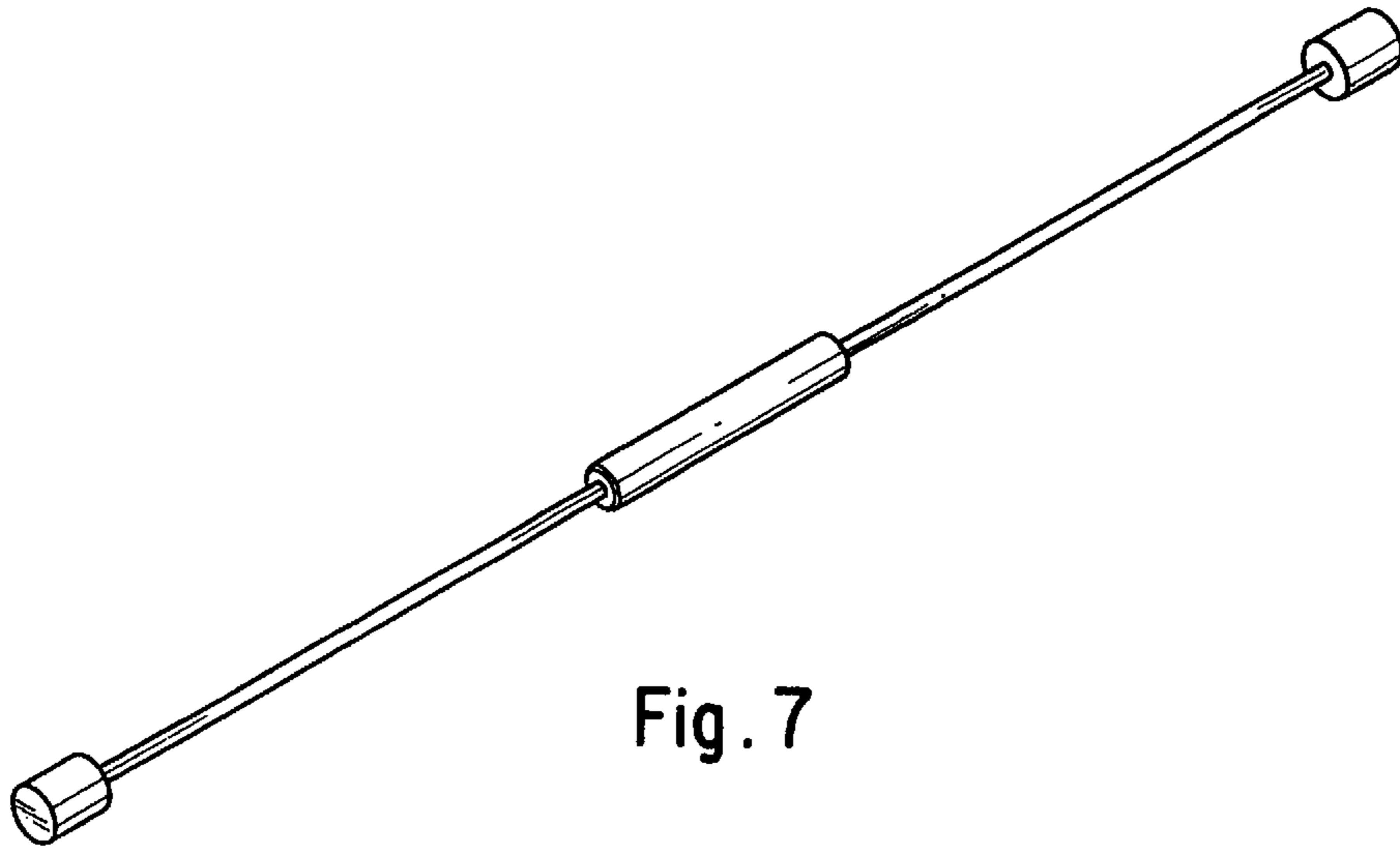


Fig. 7

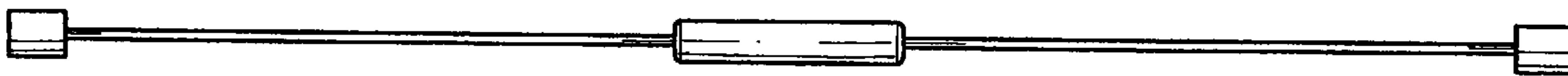


Fig. 8



Fig. 9