



US00D517134S

(12) **United States Design Patent**  
**Panatta**

(10) **Patent No.:** **US D517,134 S**

(45) **Date of Patent:** **\*\* Mar. 14, 2006**

(54) **BODY-BUILDING MACHINE**

2003/0092543 A1 \* 5/2003 Giannelli ..... 482/100  
2004/0005967 A1 \* 1/2004 Panatta ..... 482/100

(76) **Inventor:** **Rodolfo Panatta**, Via Madonna della Fonte, 2, 62021-Apiro (MC) (IT)

(\*\*) **Term:** **14 Years**

(21) **Appl. No.:** **29/198,046**

(22) **Filed:** **Jan. 23, 2004**

(51) **LOC (8) Cl.** ..... **21-02**

(52) **U.S. Cl.** ..... **D21/676**

(58) **Field of Classification Search** ..... D21/662,  
D21/673, 674, 675, 676; 482/93, 94, 95,  
482/97, 98, 99, 100, 101, 133, 134, 135,  
482/137, 138

See application file for complete search history.

(56) **References Cited**

**U.S. PATENT DOCUMENTS**

D239,303 S	*	3/1976	Clarke	.....	D21/675
5,342,270 A	*	8/1994	Jones	.....	482/97
5,580,341 A	*	12/1996	Simonson	.....	482/100
6,071,216 A	*	6/2000	Giannelli et al.	.....	482/100
6,132,347 A	*	10/2000	Alessandri	.....	482/134
D440,610 S	*	4/2001	Webber et al.	.....	D21/675
6,394,936 B1	*	5/2002	Voris	.....	482/100
6,579,213 B1	*	6/2003	Webber et al.	.....	482/100
2002/0198088 A1	*	12/2002	Vuurmans et al.	.....	482/99

**OTHER PUBLICATIONS**

Gopher Catalog, Fall 2003, pp. 230 and 240, Power Source Selectorized Machines.\*

BSN catalog, Fall 2002, p. 22, Champion Barbell chest and shoulder presses.\*

\* cited by examiner

*Primary Examiner*—Philip S. Hyder

(74) *Attorney, Agent, or Firm*—Armstrong, Kratz, Quintos, Hanson & Brooks, LLP

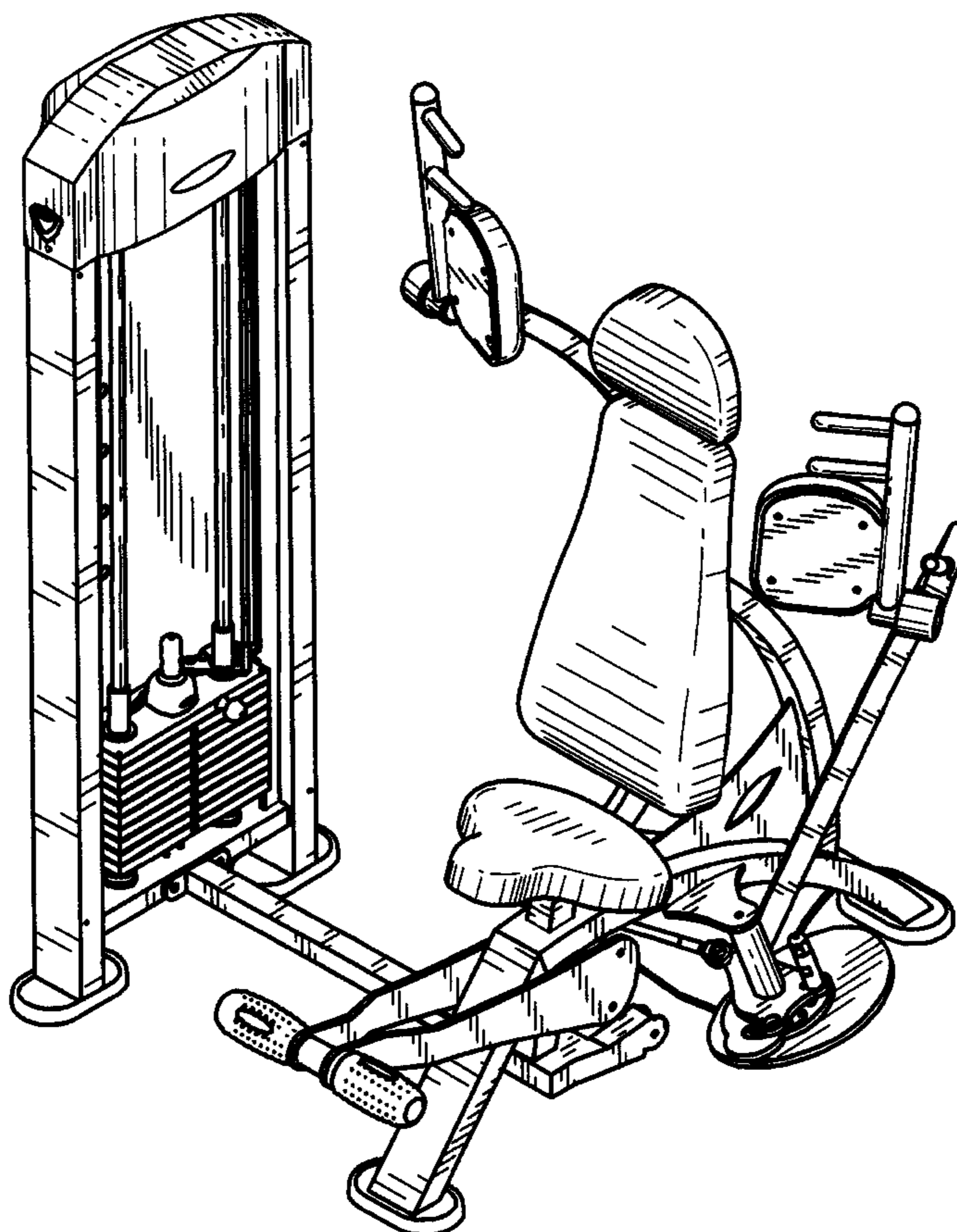
(57) **CLAIM**

I claim the ornamental design for a body-building machine, as shown and described.

**DESCRIPTION**

FIG. 1 is a front elevational view thereof.  
FIG. 2 is a right side elevational view thereof.  
FIG. 3 is a left side elevational view thereof.  
FIG. 4 is a top plan elevational view thereof.  
FIG. 5 is a bottom plan elevational view thereof.  
FIG. 6 is a rear elevational view thereof; and,  
FIG. 7 is a right perspective view of a body-building machine.

**1 Claim, 7 Drawing Sheets**



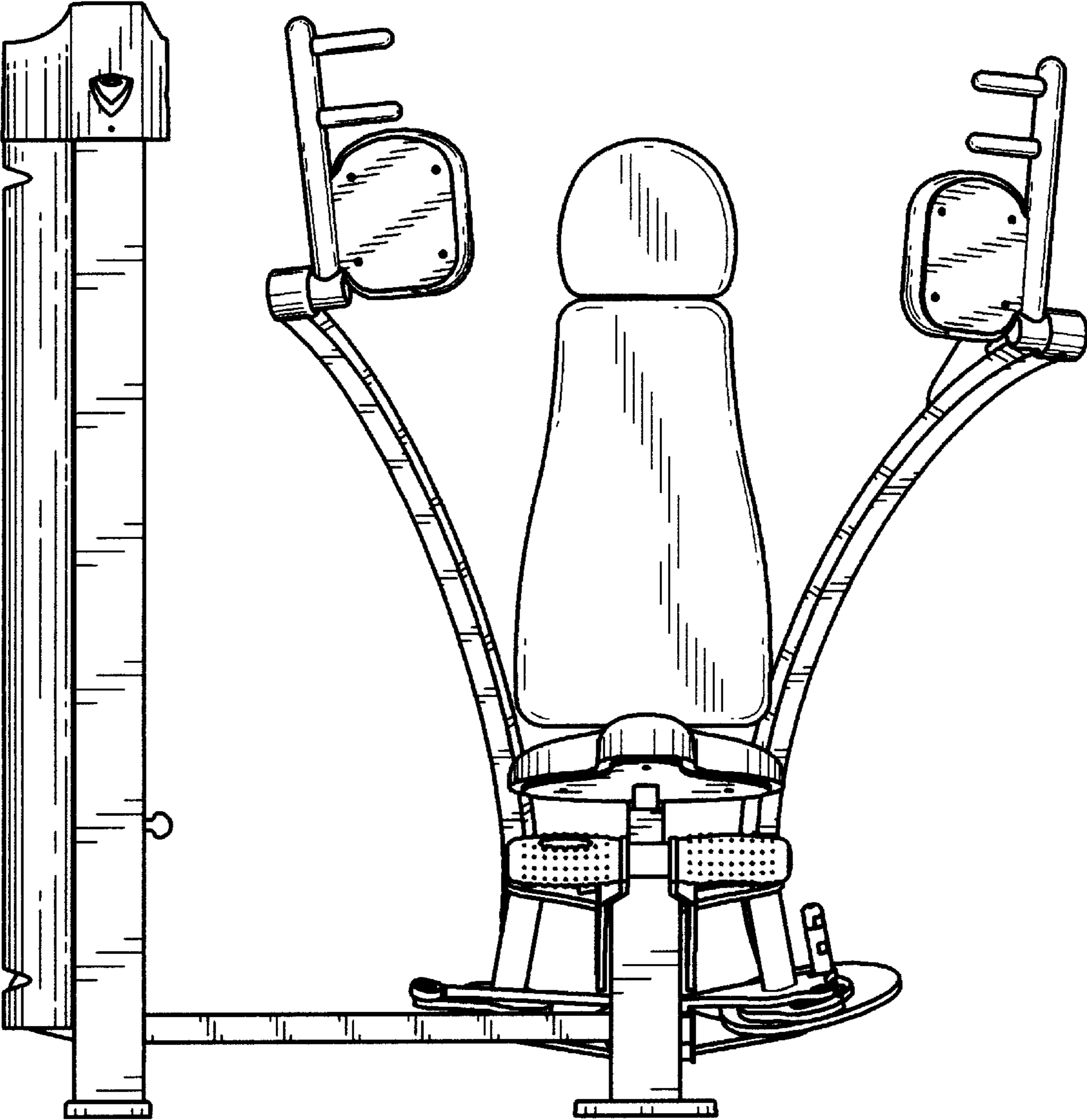


FIG. 1

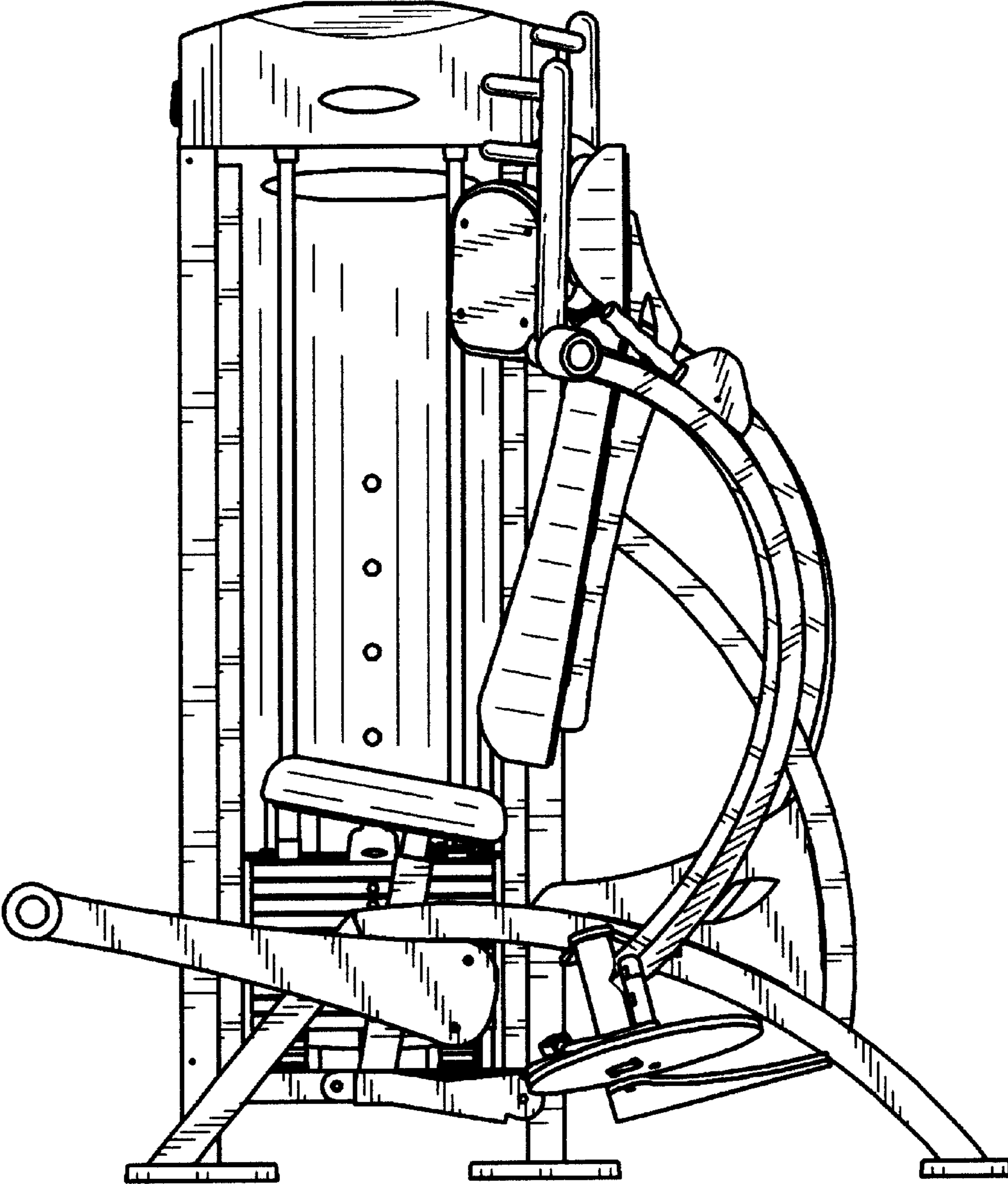


FIG. 2

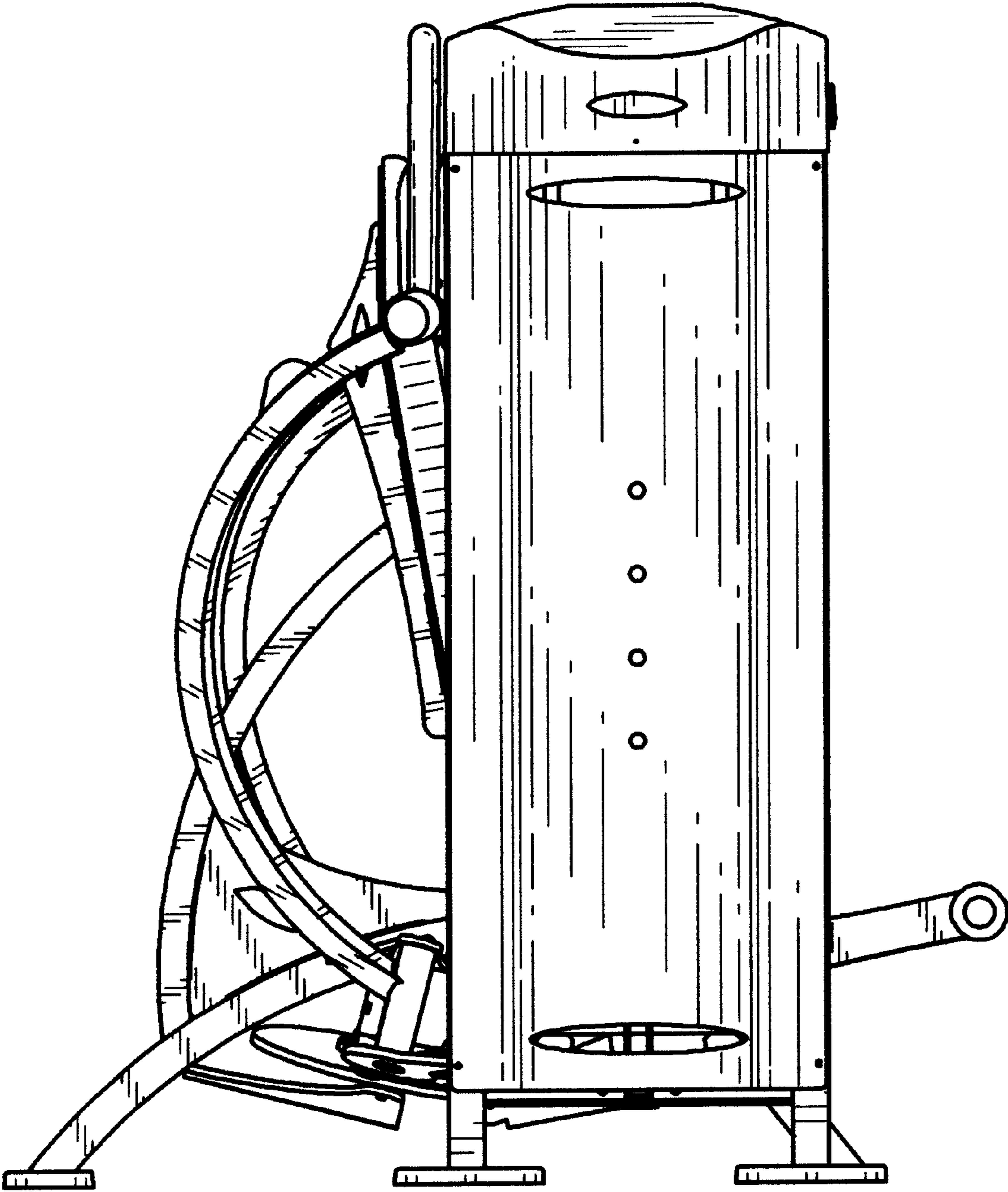


FIG. 3

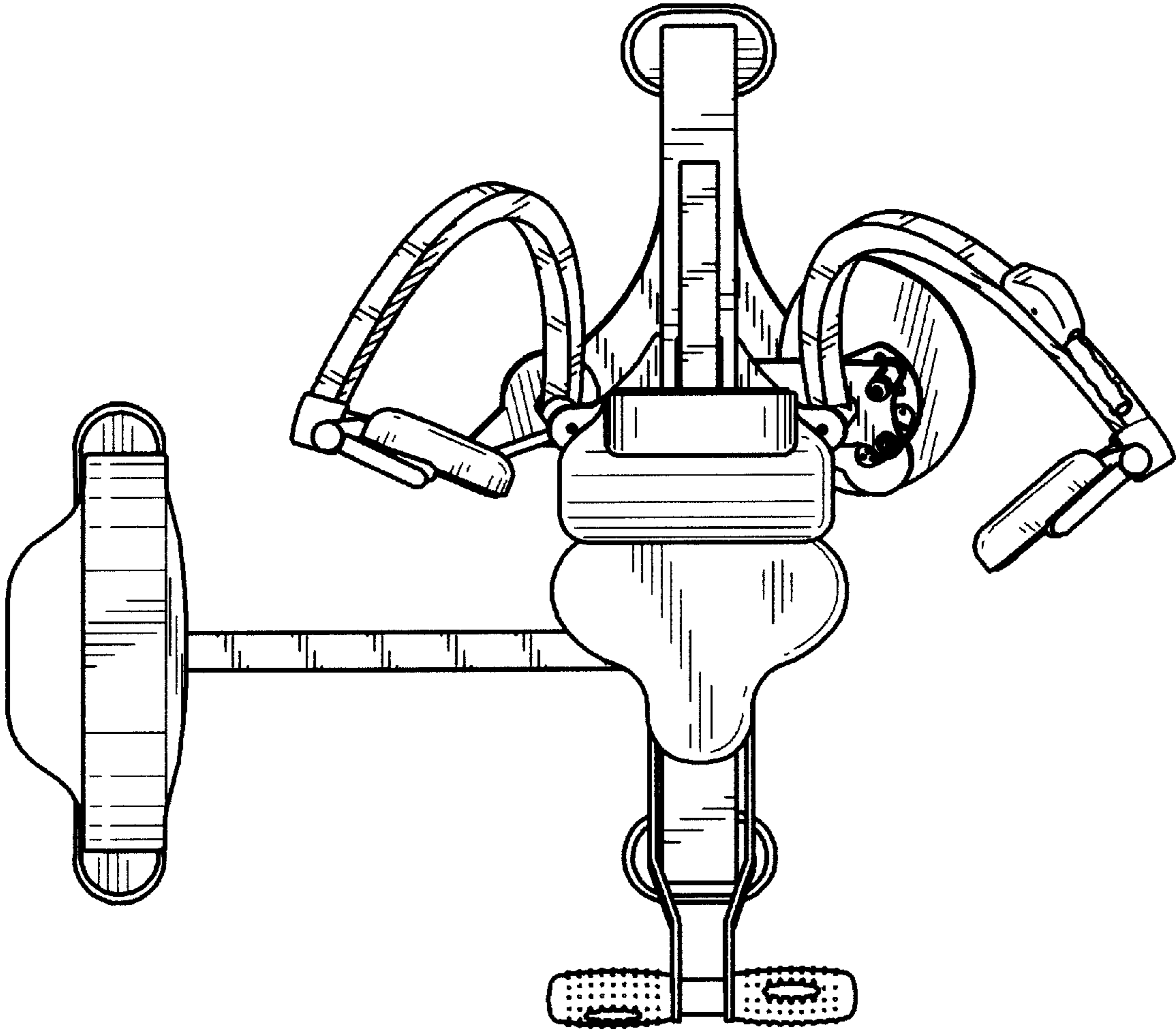


FIG. 4

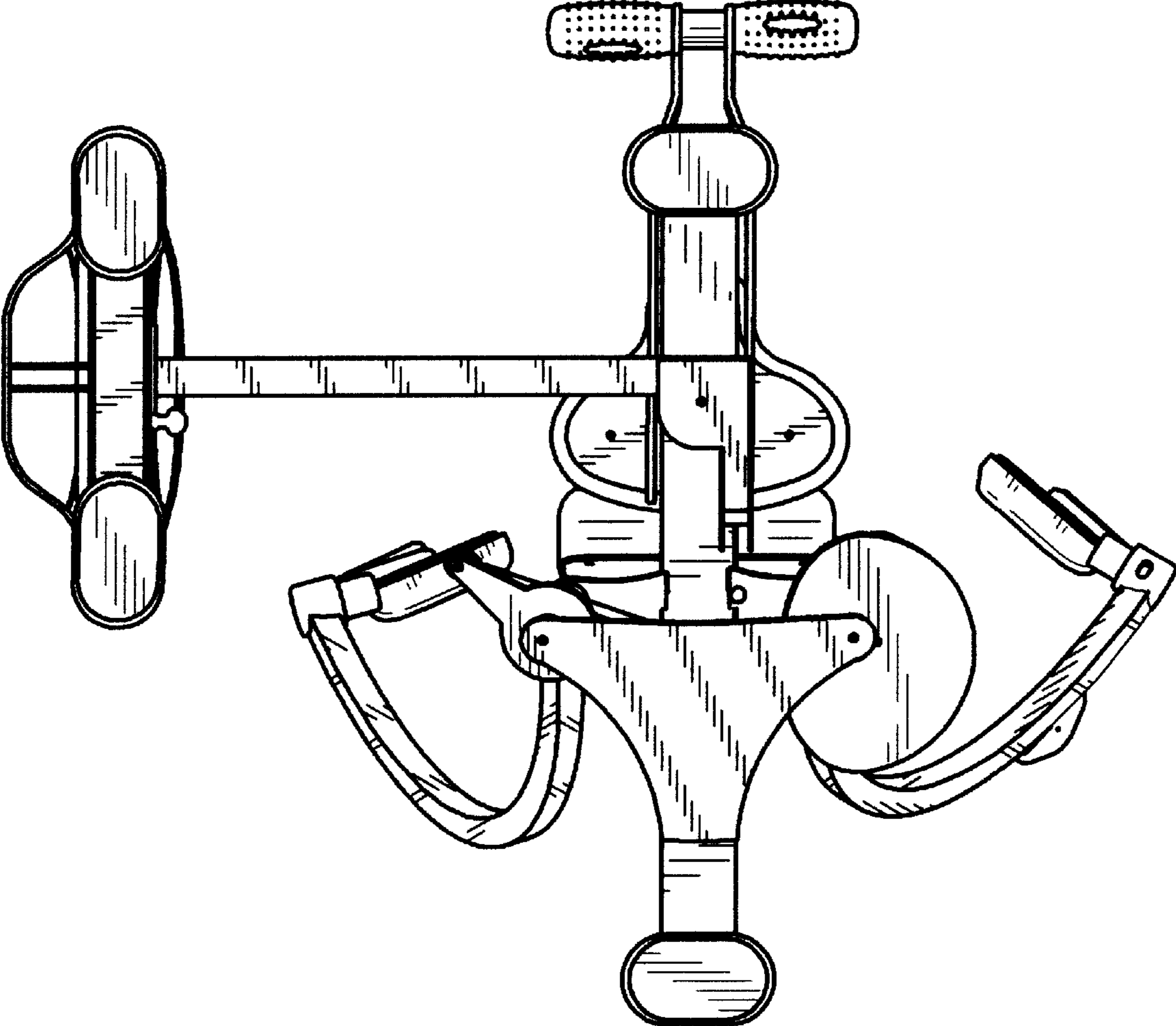


FIG. 5

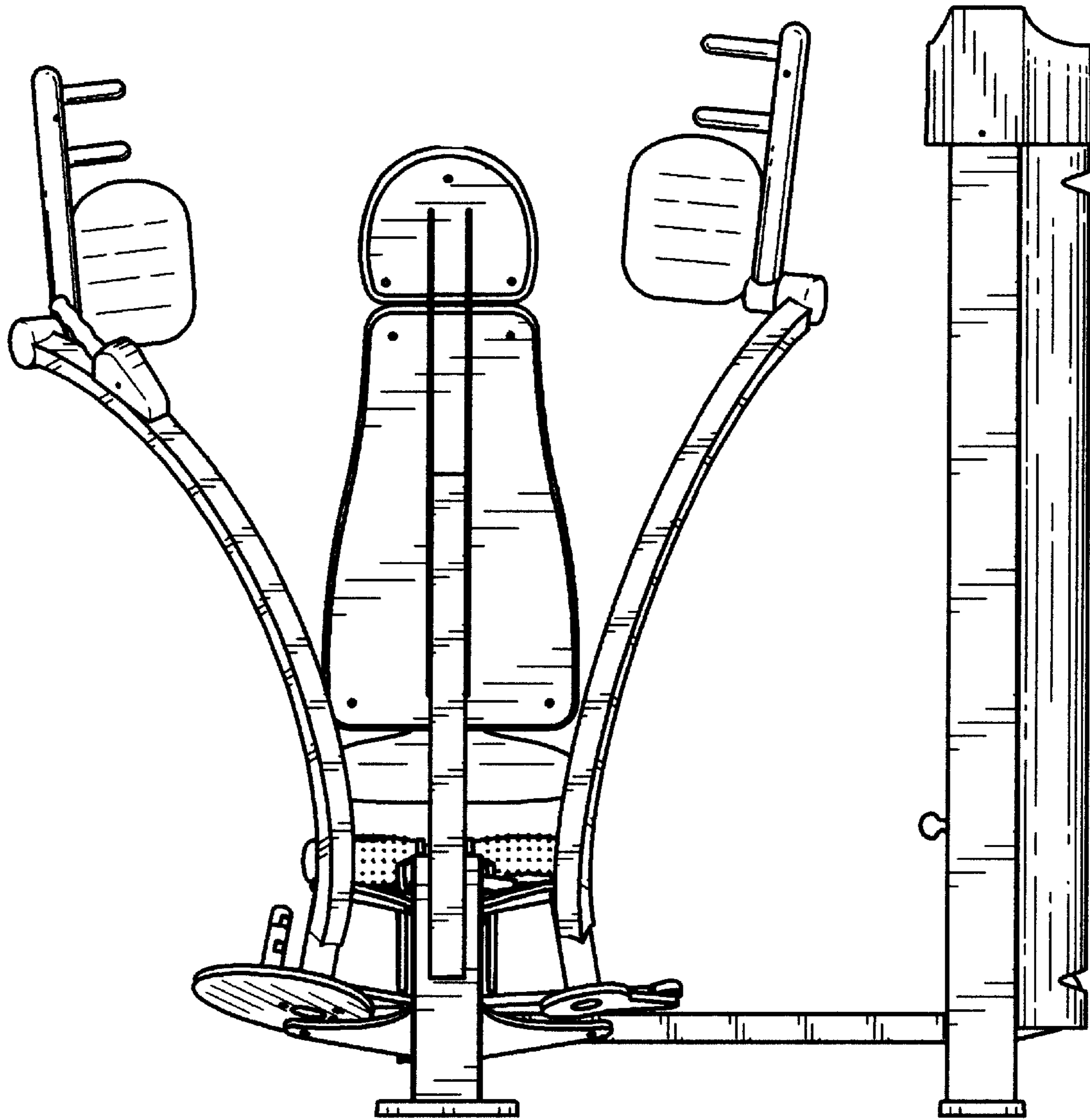


FIG. 6

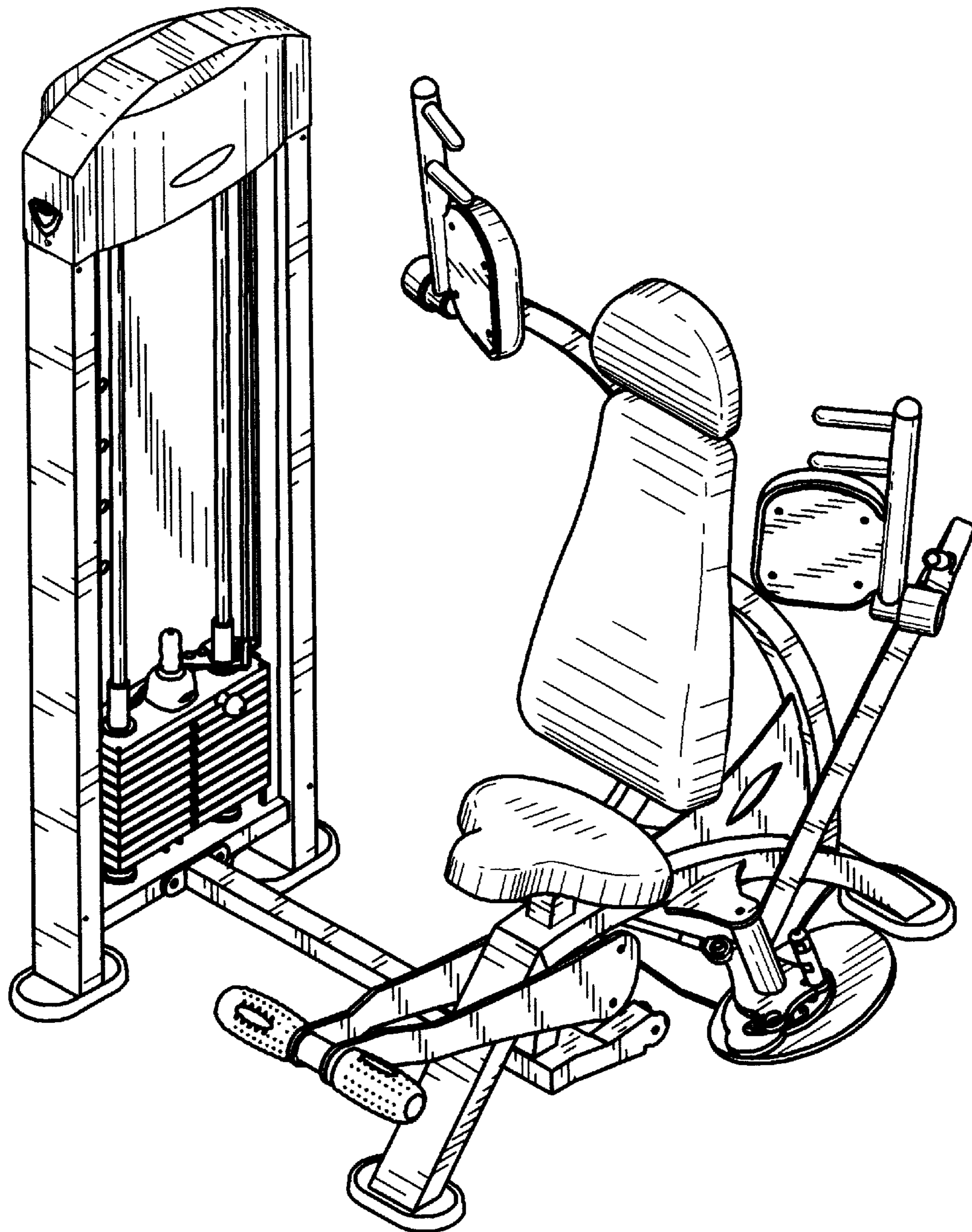


FIG. 7