

US00D517133S

(12) **United States Design Patent**
Yang

(10) **Patent No.:** **US D517,133 S**
(45) **Date of Patent:** **** Mar. 14, 2006**

(54) **STEPPING EXERCISER**
(76) **Inventor:** **Zhong-Jin Yang**, No.76, Lane 171, Sec. 1, Shen Lin Rd., Taichung Hsien (TW)
(**) **Term:** **14 Years**

6,132,339 A * 10/2000 Wang et al. 482/53
D456,052 S * 4/2002 Steves D21/670
D465,001 S * 10/2002 Chiang-Chow D21/670
D466,567 S * 12/2002 Chen et al. D21/670
D498,506 S * 11/2004 Yu D21/670

* cited by examiner

(21) **Appl. No.:** **29/211,387**
(22) **Filed:** **Aug. 16, 2004**

Primary Examiner—Phillip S. Hyder
(74) *Attorney, Agent, or Firm*—Charles E. Baxley

(51) **LOC (8) Cl.** **21-02**
(52) **U.S. Cl.** **D21/670; D21/668**
(58) **Field of Classification Search** D21/670,
D21/688, 662, 669; 482/51, 52, 71, 79, 80
See application file for complete search history.

(57) **CLAIM**

The ornamental design for a stepping exerciser, as shown and described.

DESCRIPTION

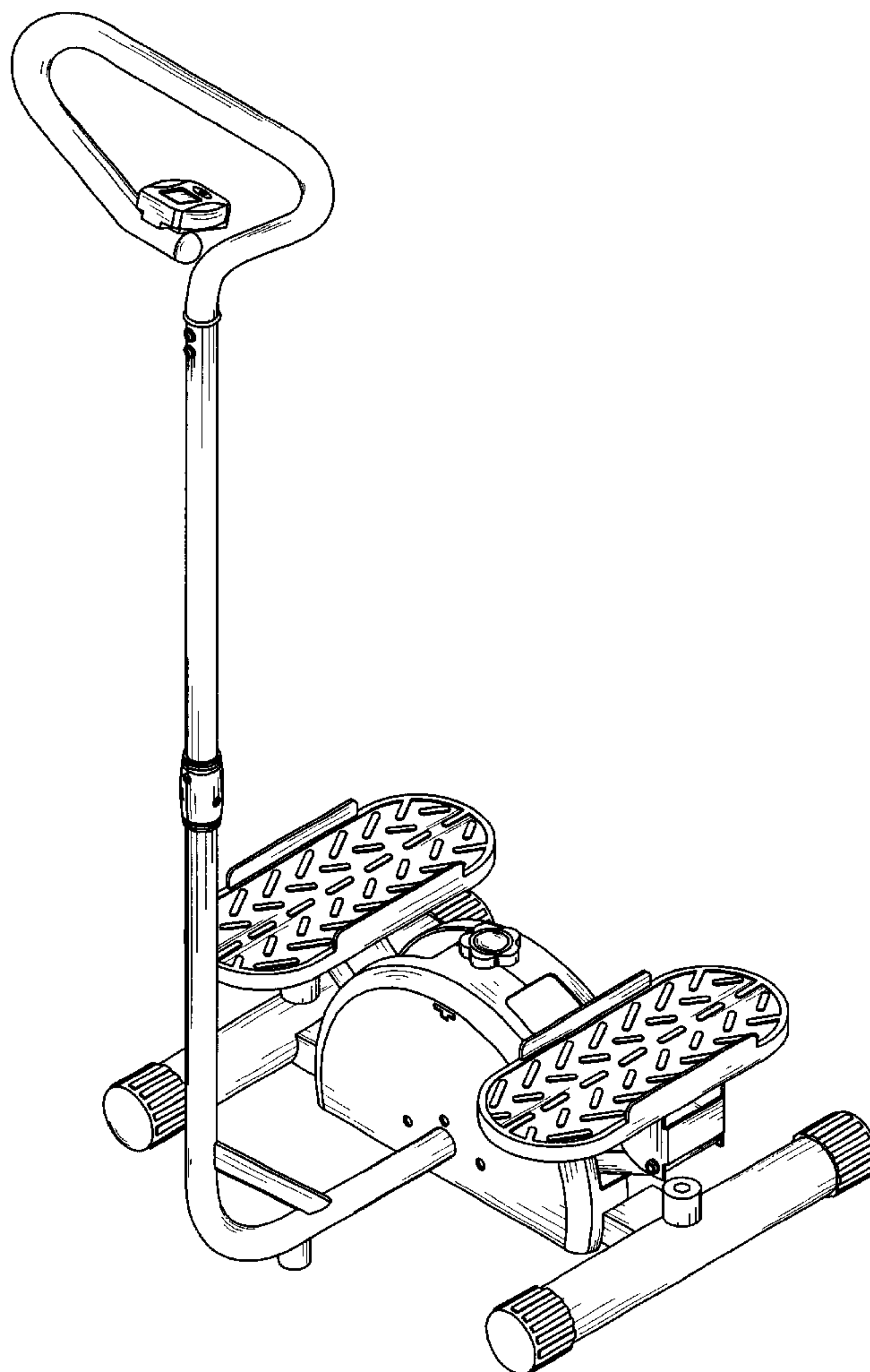
FIG. 1 is a perspective view of a stepping exerciser, showing my new design,
FIG. 2 is a front elevational view thereof;
FIG. 3 is a back elevational view thereof;
FIG. 4 is a left side view thereof;
FIG. 5 is a right side view thereof;
FIG. 6 is a top plan view thereof; and,
FIG. 7 is a bottom plan view thereof.

(56) **References Cited**

U.S. PATENT DOCUMENTS

D339,837 S * 9/1993 Hall et al. D21/670
5,263,910 A * 11/1993 Yang 482/52
5,298,002 A * 3/1994 Lin 482/53
D392,701 S * 3/1998 Piaget D21/670
D403,382 S * 12/1998 Piaget D21/670
6,117,052 A * 9/2000 Frost et al. 482/52

1 Claim, 6 Drawing Sheets



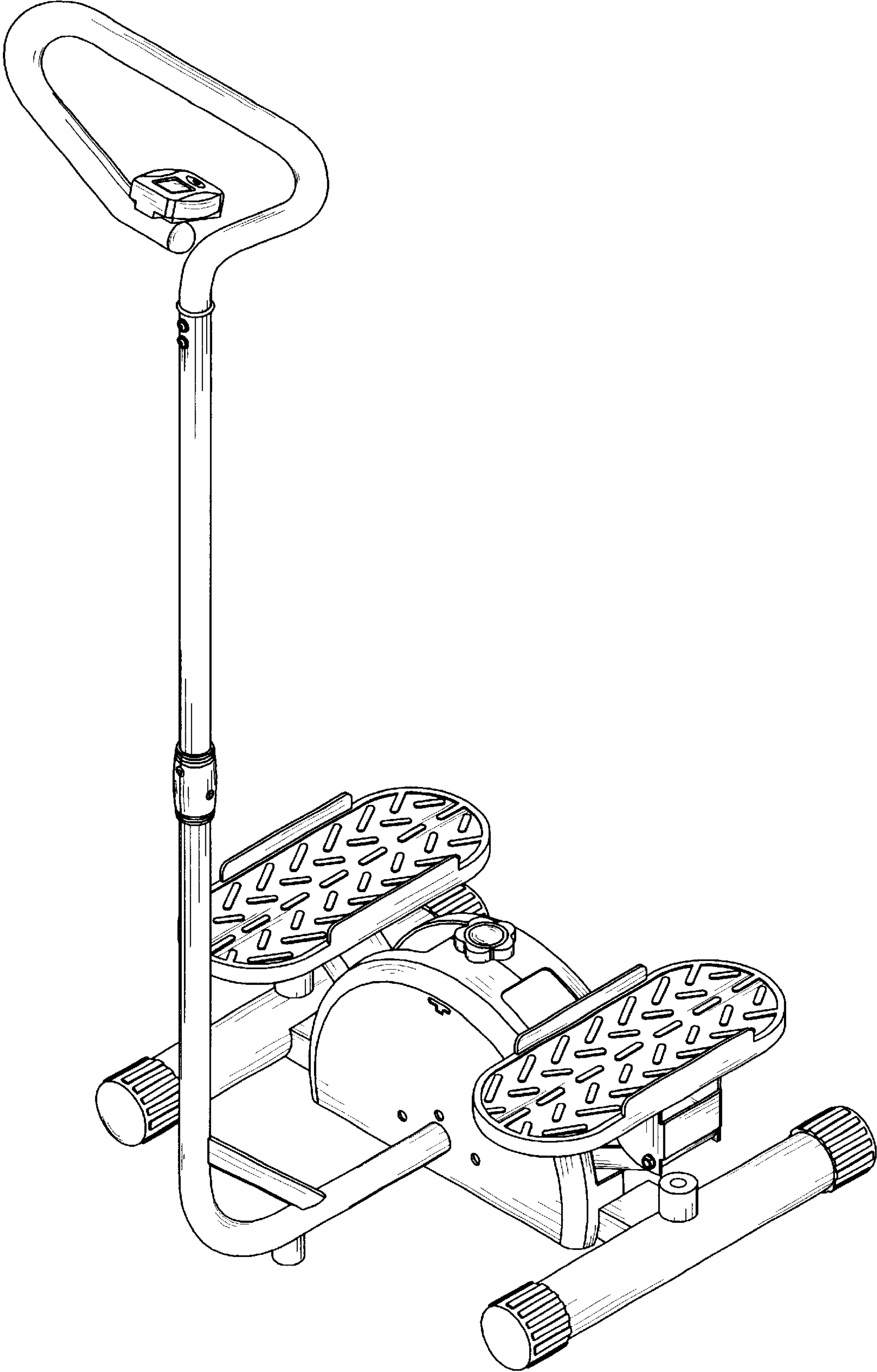


FIG. 1

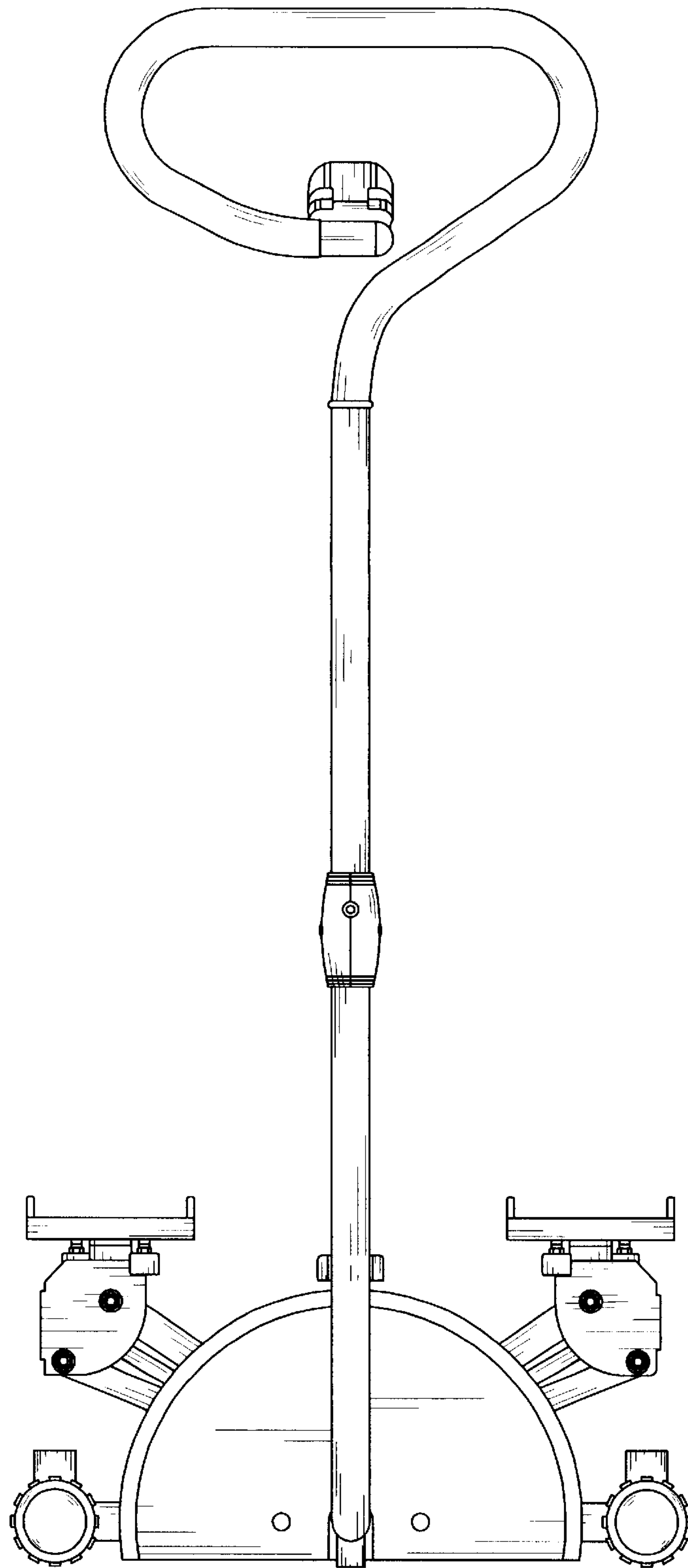


FIG.2

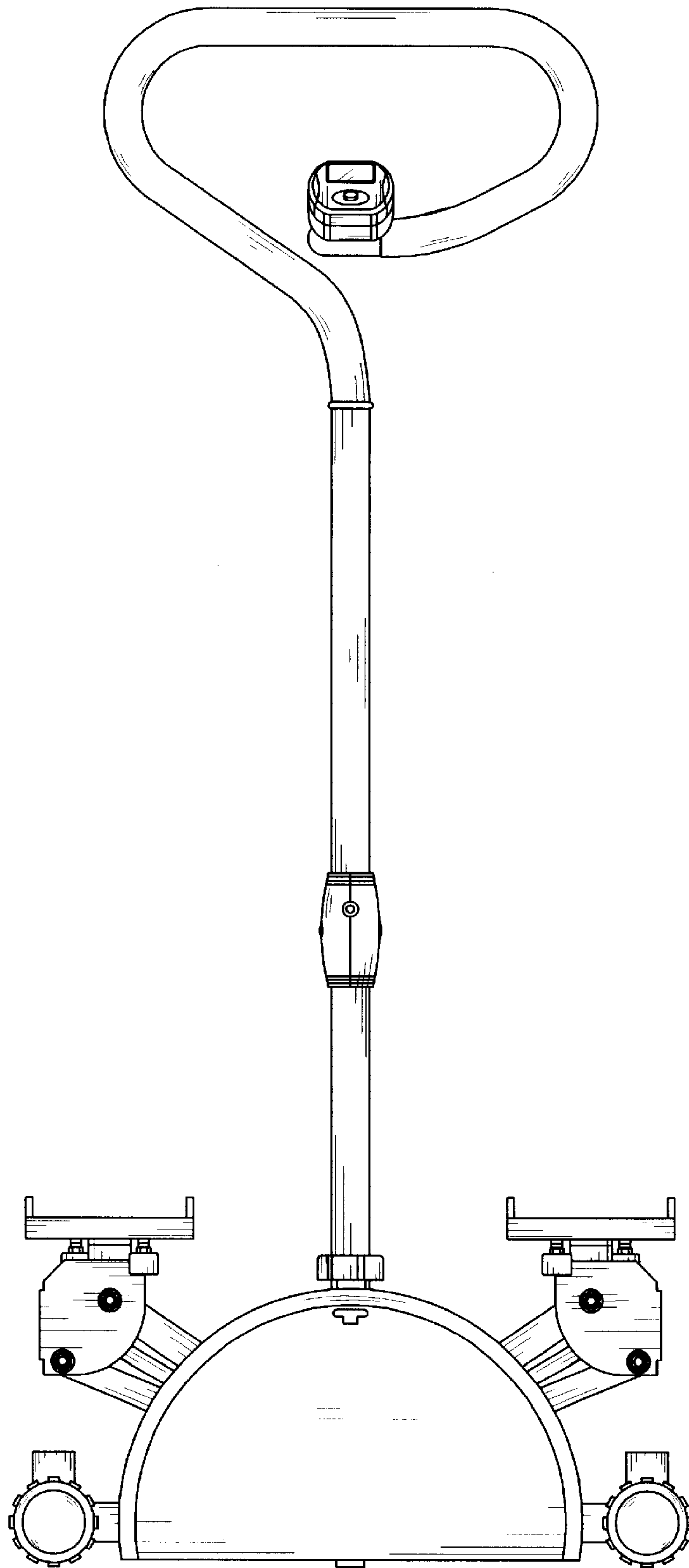


FIG.3

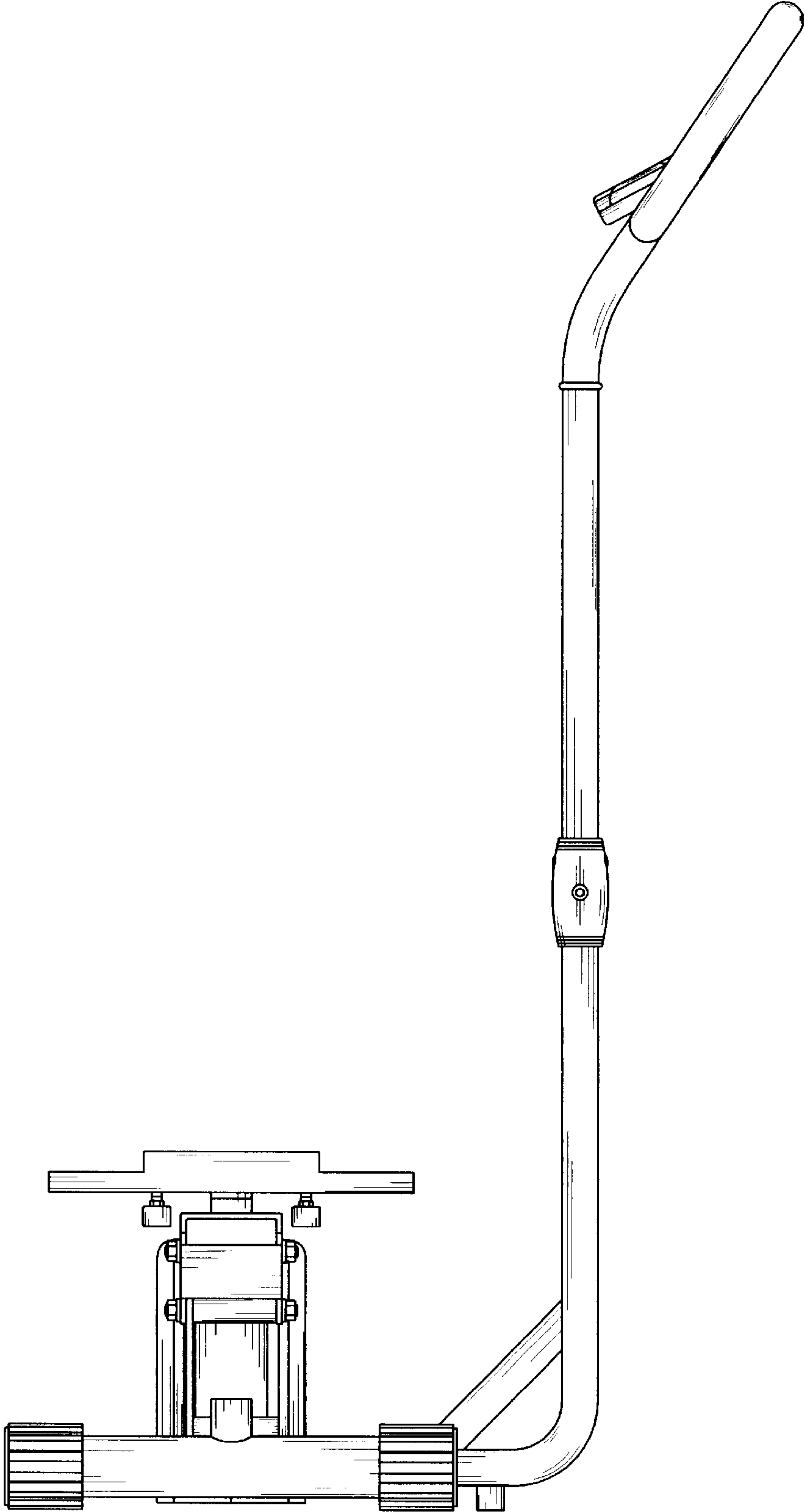


FIG.4

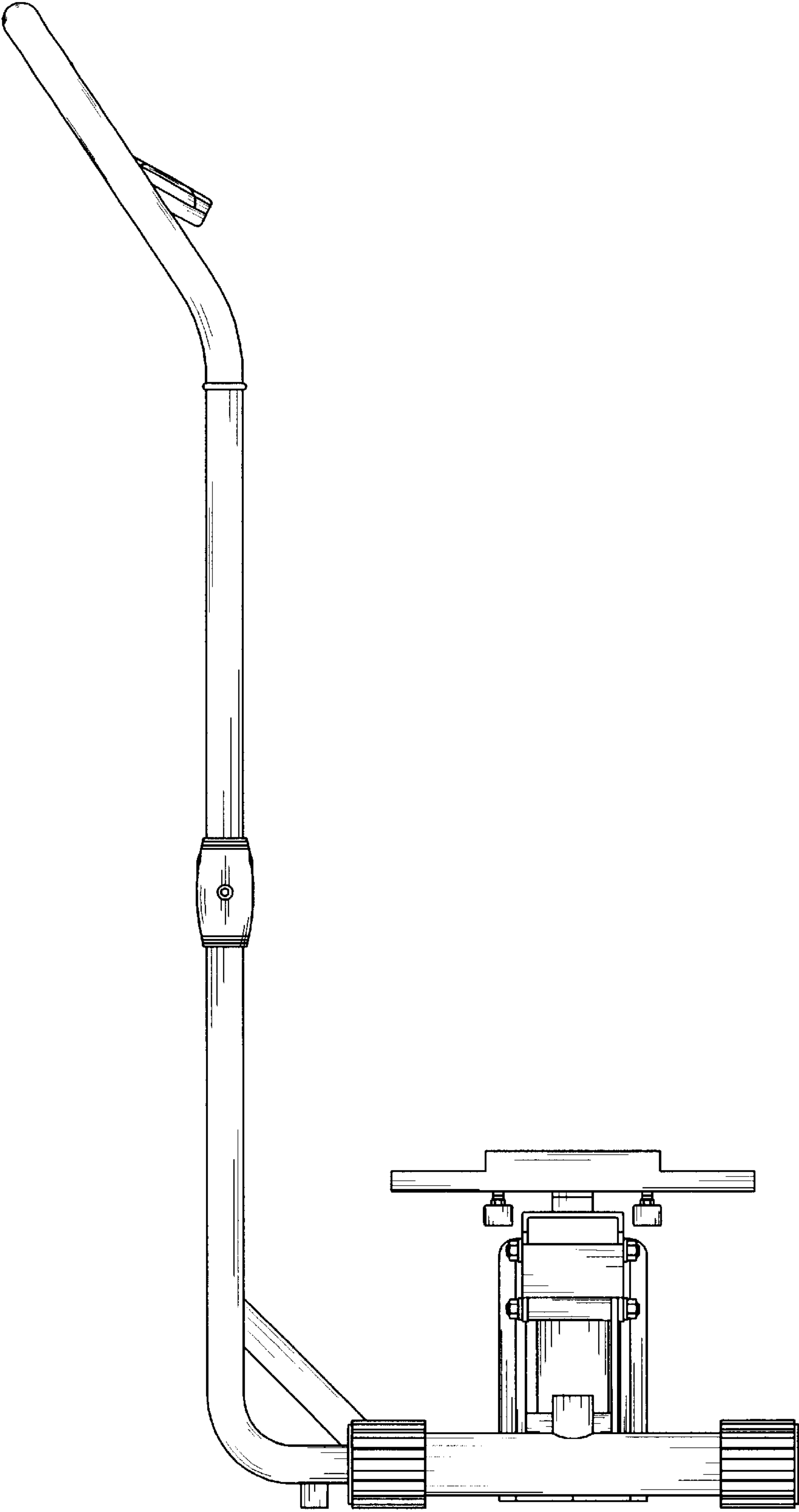


FIG.5

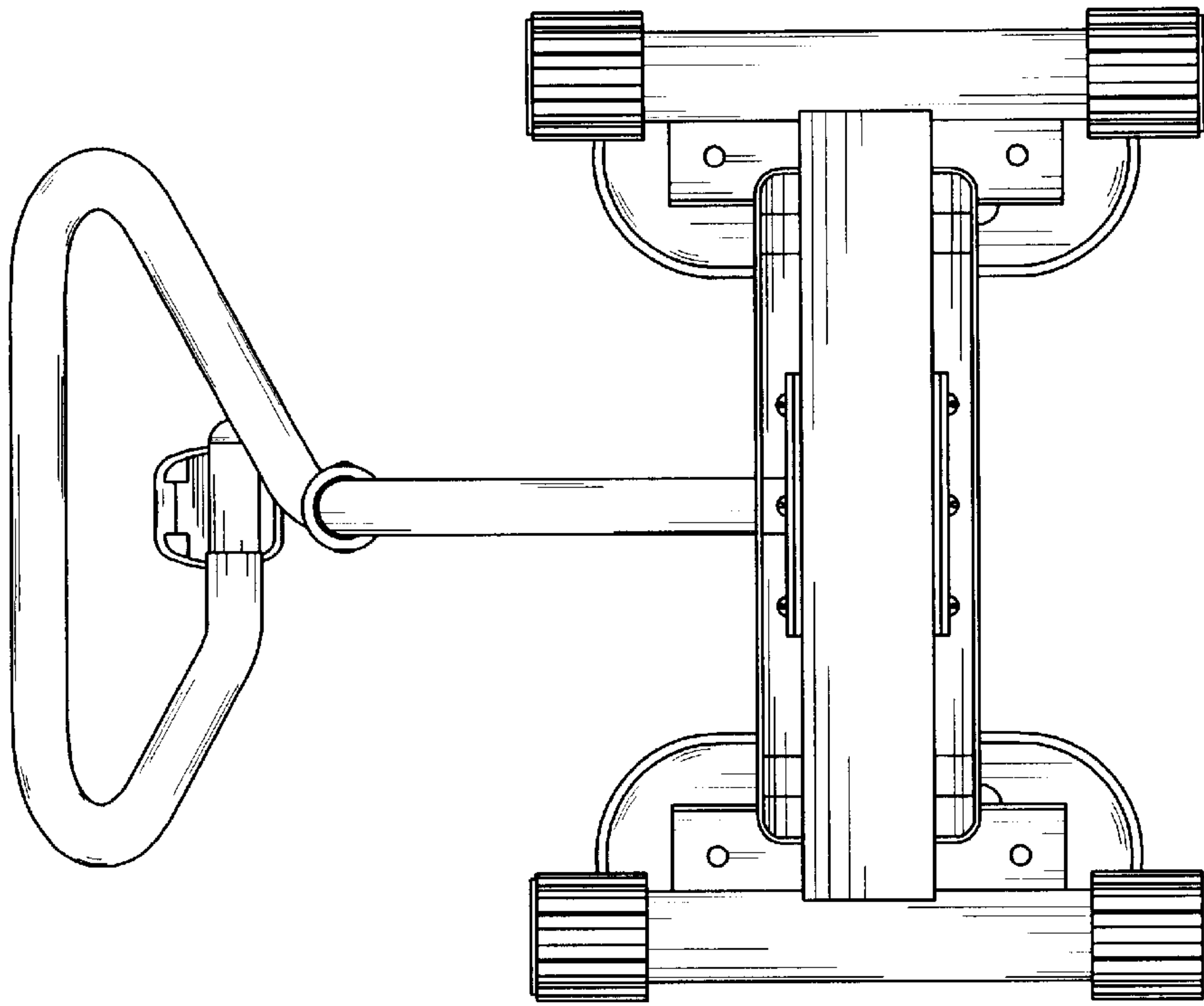


FIG. 7

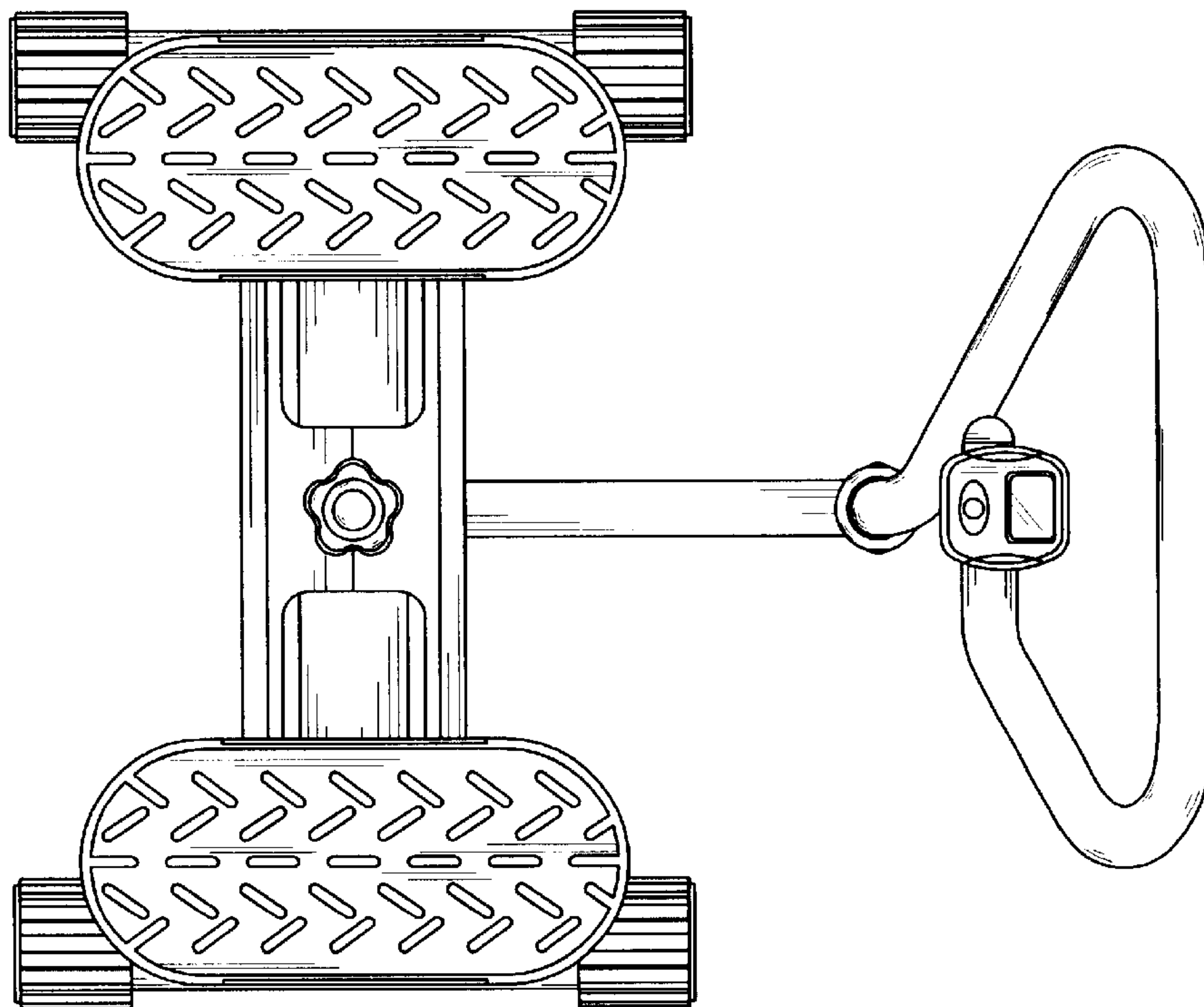


FIG. 6