



US00D517123S

(12) **United States Design Patent**
Sidwell

(10) **Patent No.:** **US D517,123 S**

(45) **Date of Patent:** **** Mar. 14, 2006**

(54) **BALLOON PEDESTAL**

(76) **Inventor:** **Paul E. Sidwell**, 1986 Larchmont Dr.,
Deland, FL (US) 32724

(**) **Term:** **14 Years**

(21) **Appl. No.:** **29/197,803**

(22) **Filed:** **Jan. 22, 2004**

(51) **LOC (8) Cl.** **20-02**

(52) **U.S. Cl.** **D20/42**

(58) **Field of Classification Search** D8/373;
D20/42; 446/220, 222-223

See application file for complete search history.

5,944,576 A * 8/1999 Nelson et al. 446/220
6,375,534 B1 * 4/2002 Burns 446/220
6,575,806 B1 * 6/2003 Nelson et al. 446/222

FOREIGN PATENT DOCUMENTS

GB 2272170 5/1994

* cited by examiner

Primary Examiner—Holly H. Baynham

(74) *Attorney, Agent, or Firm*—Stephen R. Greiner

(57) **CLAIM**

The ornamental design for a balloon pedestal, as shown and described.

DESCRIPTION

FIG. 1 is a perspective view of a balloon pedestal showing my new design;

FIG. 2 is a front elevational view thereof;

FIG. 3 is a rear elevational view thereof;

FIG. 4 is a right side elevational view with the left side being a mirror image thereof;

FIG. 5 is a top view thereof; and,

FIG. 6 is a bottom view thereof.

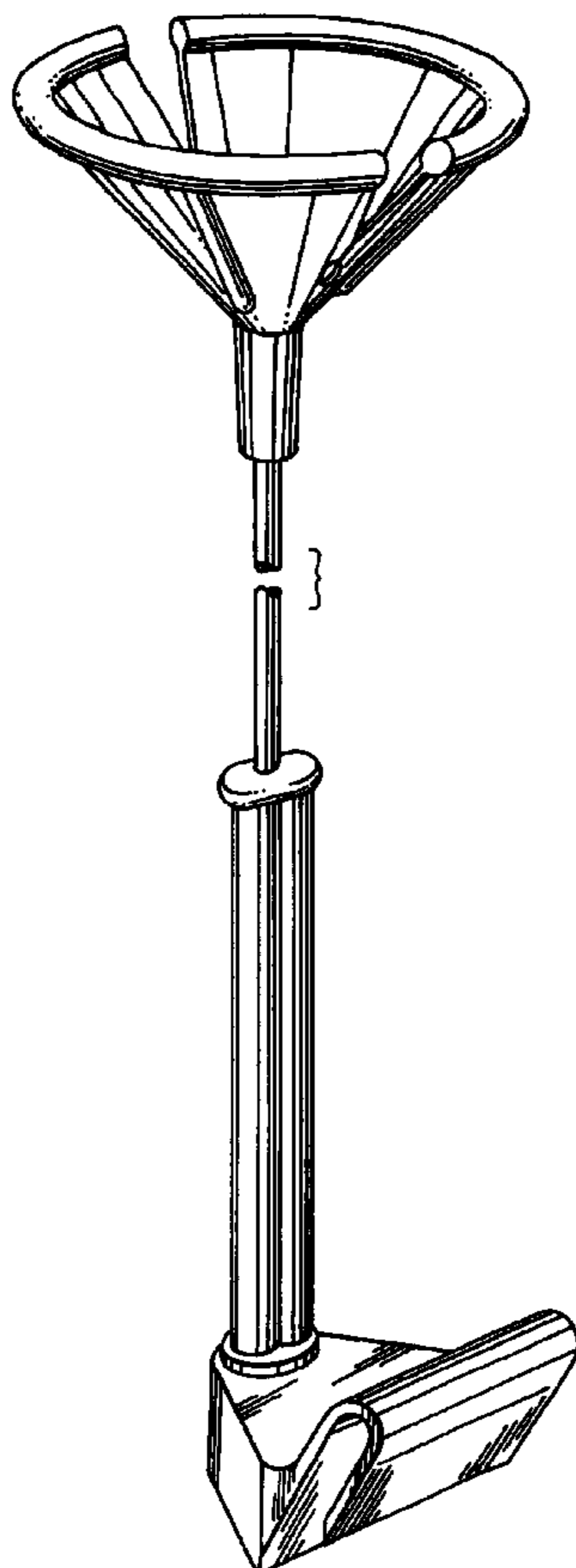
The shaft is shown broken away to indicate indeterminate length.

(56) **References Cited**

U.S. PATENT DOCUMENTS

2,840,948 A * 7/1958 Stickley 446/223
3,267,604 A * 8/1966 Goldsmith 446/222
4,589,854 A 5/1986 Smith
4,661,081 A * 4/1987 Basseches 446/220
4,715,841 A * 12/1987 Nelson et al. 446/222
4,798,554 A * 1/1989 Nelson et al. 446/222
4,895,545 A * 1/1990 Nelson 446/220
D313,214 S 12/1990 Phillips et al.
D322,413 S 12/1991 Castillo
5,203,530 A * 4/1993 Liu 248/309.1
D360,844 S 8/1995 Miller et al.

1 Claim, 2 Drawing Sheets



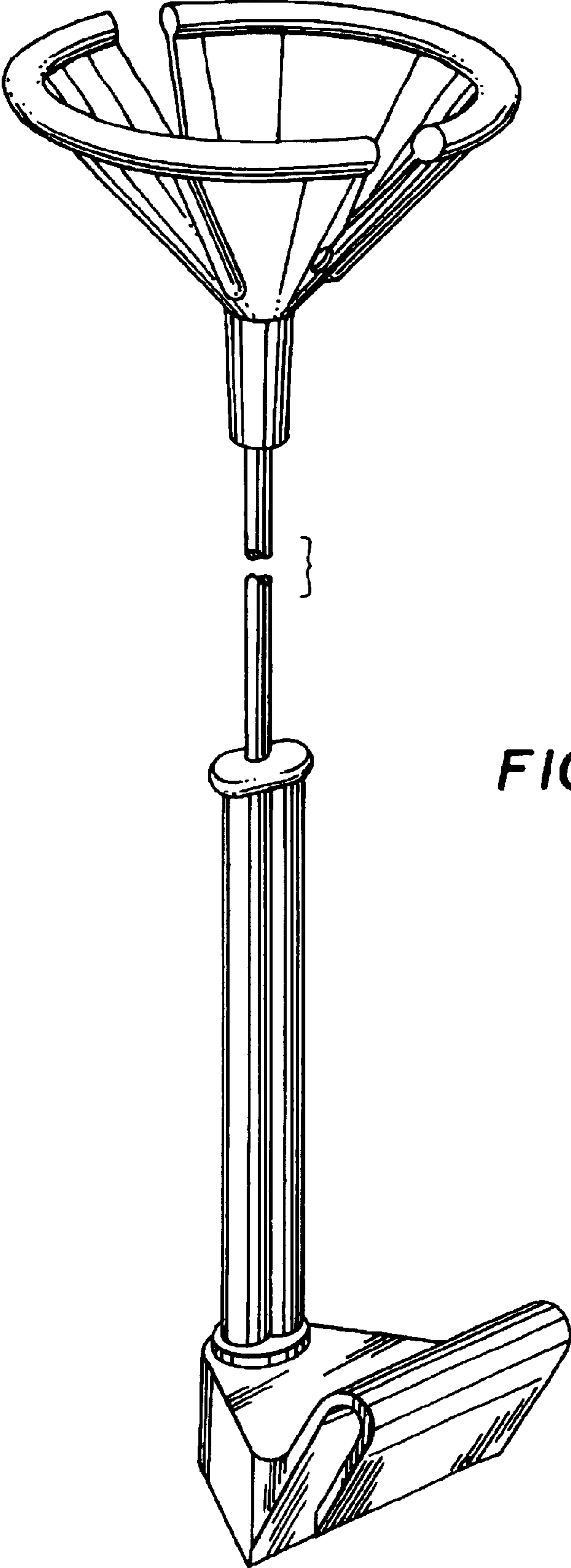


FIG. 1

