

US00D517121S

(12) **United States Design Patent**
Li

(10) **Patent No.:** **US D517,121 S**

(45) **Date of Patent:** **** Mar. 14, 2006**

(54) **LABEL FOR PERIPHERAL DEVICES**

(75) **Inventor:** **Yi-Shan Li, Taipei (TW)**

(73) **Assignee:** **Inventec Corporation, Taipei (TW)**

(**) **Term:** **14 Years**

(21) **Appl. No.:** **29/222,003**

(22) **Filed:** **Jan. 26, 2005**

(51) **LOC (8) Cl. 19-08**

(52) **U.S. Cl. D20/22**

(58) **Field of Classification Search** D20/22,
D20/27, 40, 42, 43, 44, 99; D19/1, 2; 40/1,
40/5, 6, 360, 630, 637, 638, 675, 299; 206/232,
206/459.5; 283/67, 75, 81, 101, 900; 428/40.1,
428/41.8, 42.3; D14/306, 356

See application file for complete search history.

(56) **References Cited**

U.S. PATENT DOCUMENTS

- D242,954 S * 1/1977 Rand D24/189
- D319,474 S * 8/1991 Steiner D20/22
- D320,414 S * 10/1991 Morgan D20/22

- D370,697 S * 6/1996 Morgan D20/22
- 6,088,224 A * 7/2000 Gallagher et al. 361/695
- D432,582 S * 10/2000 Pritchard D20/22
- D437,617 S * 2/2001 Rosenthal D20/22

* cited by examiner

Primary Examiner—Robert M. Spear

(74) *Attorney, Agent, or Firm*—Birch, Stewart, Kolasch & Birch, LLP

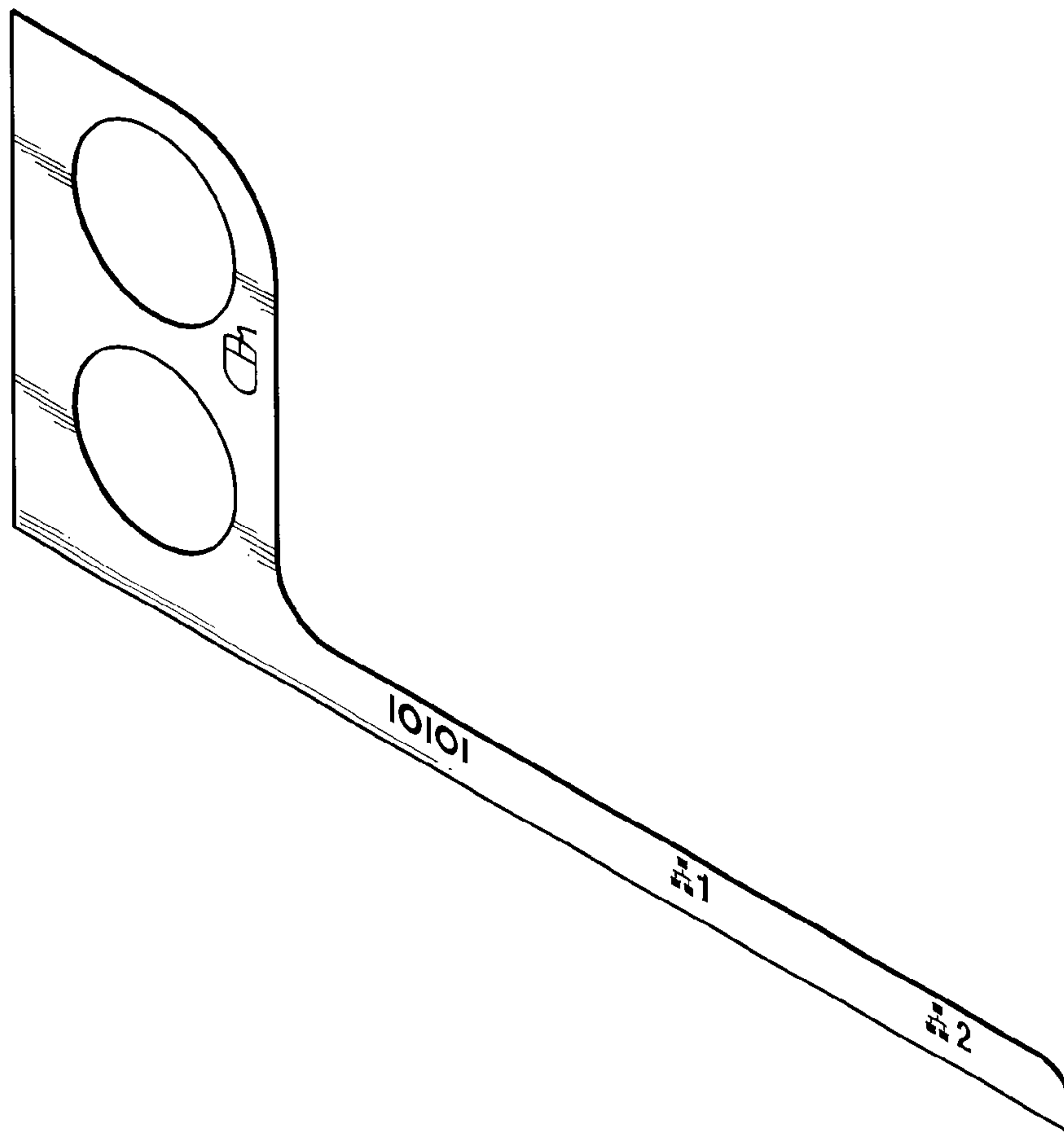
(57) **CLAIM**

The ornamental design for a “label for peripheral devices,” as shown and described.

DESCRIPTION

FIG. 1 is a perspective view of label for peripheral device—showing our new design;
 FIG. 2 is a front view thereof;
 FIG. 3 is a rear view thereof;
 FIG. 4 is a left side elevational view thereof;
 FIG. 5 is a right side elevational view thereof;
 FIG. 6 is a top view thereof; and,
 FIG. 7 is a bottom view thereof.

1 Claim, 3 Drawing Sheets



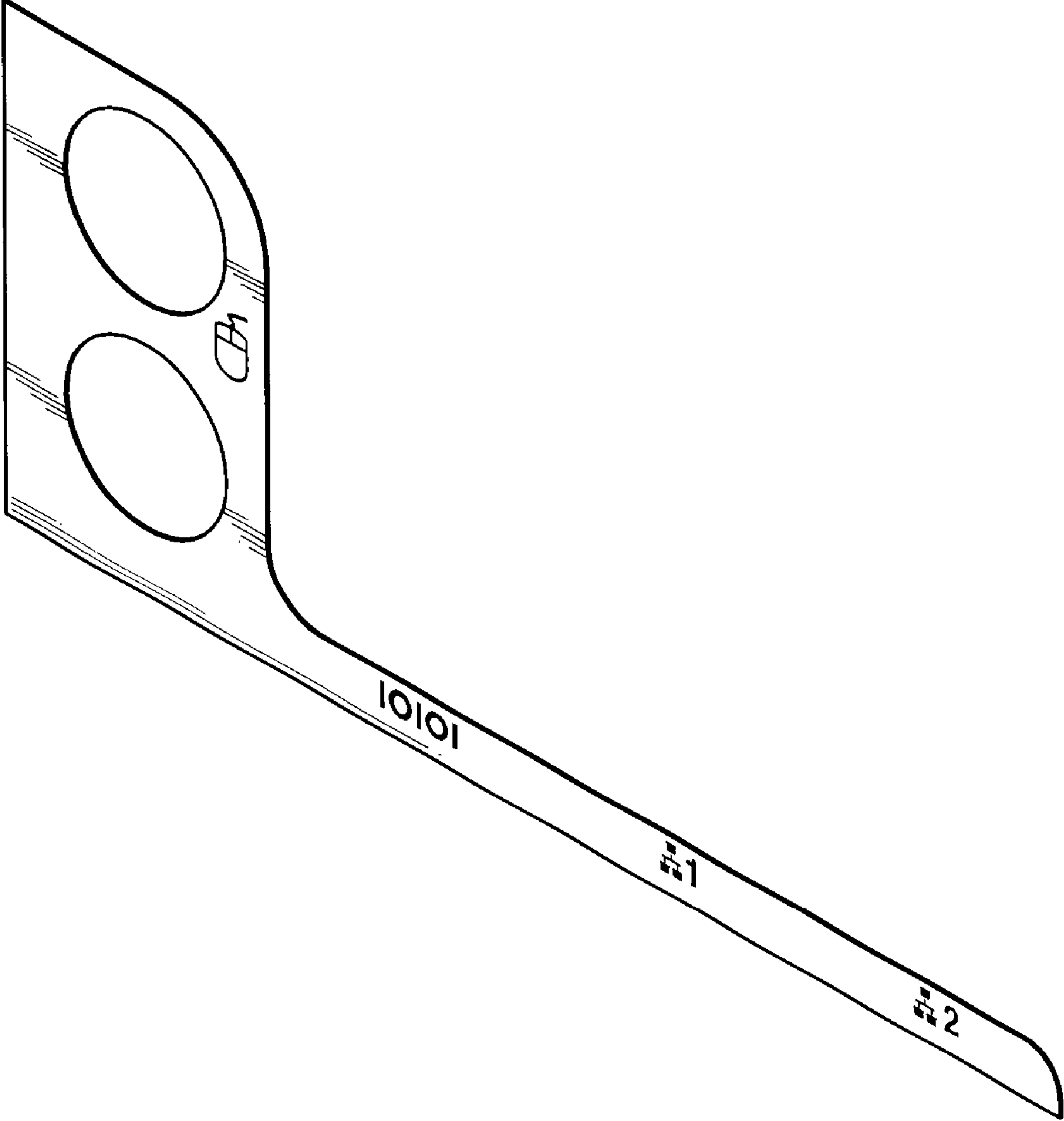


FIG. 1

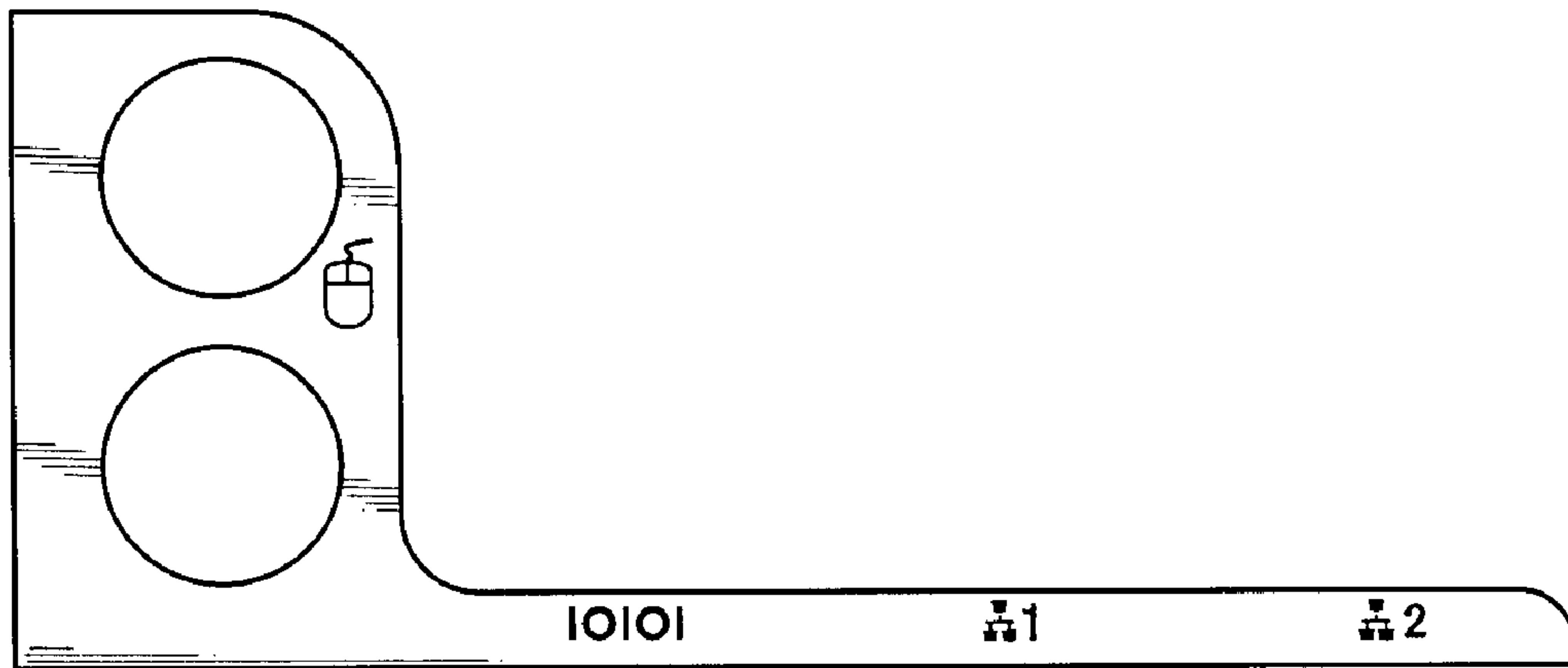


FIG. 2

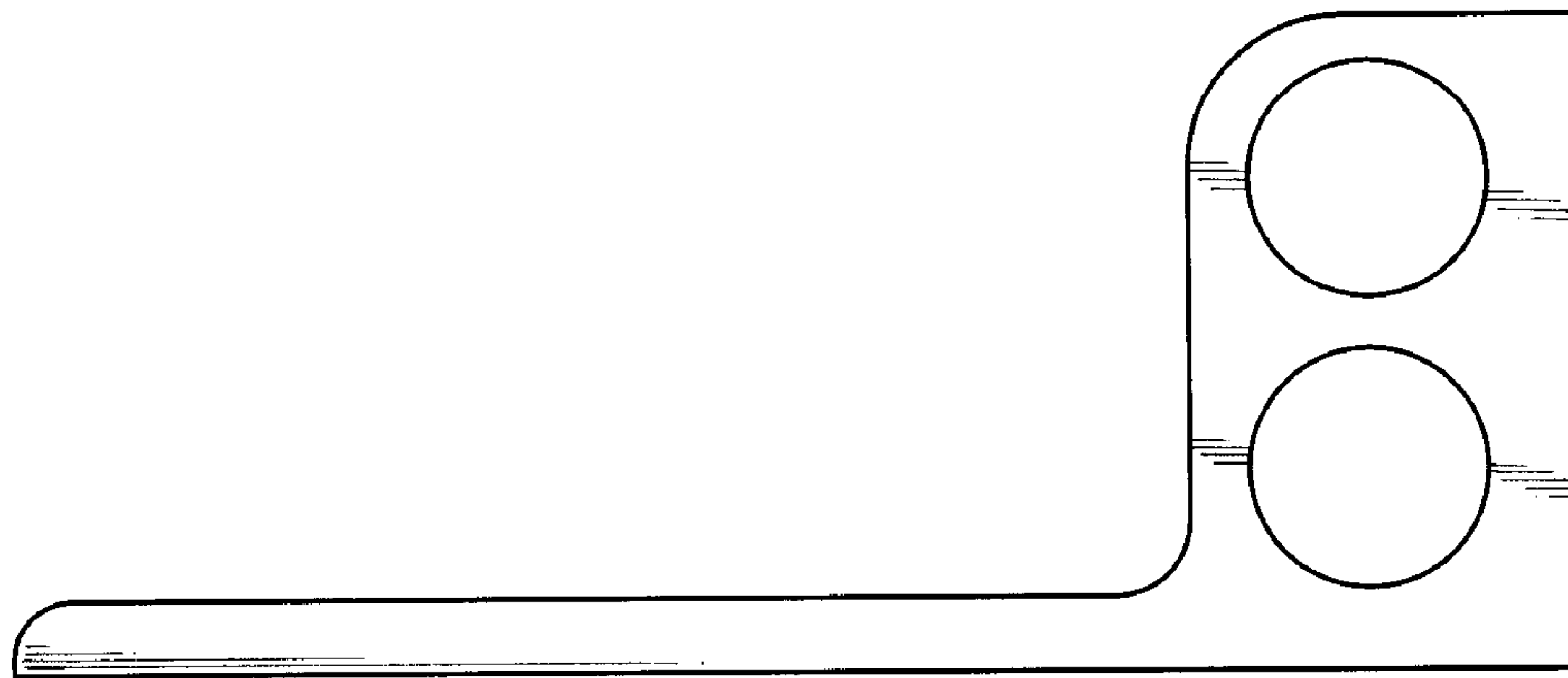


FIG. 3



FIG. 4



FIG. 5



FIG. 6



FIG. 7