

US00D517119S

(12) **United States Design Patent**  
**Suzuki et al.**

(10) **Patent No.: US D517,119 S**  
(45) **Date of Patent: \*\* Mar. 14, 2006**

(54) **PRINTER**

D482,387 S \* 11/2003 Tatara et al. .... D18/55  
D489,754 S \* 5/2004 Akahane et al. .... D18/55  
D499,759 S \* 12/2004 Kobayashi et al. .... D18/55

(75) Inventors: **Wataru Suzuki**, Nagano-ken (JP);  
**Hirokazu Yamano**, Nagano-ken (JP);  
**Hiroto Miyauchi**, Nagano-ken (JP);  
**Keisuke Inoue**, Nagano-ken (JP); **Rumi Furukawa**, Nagano (JP)

\* cited by examiner

*Primary Examiner*—Cathy Anne MacCormac  
(74) *Attorney, Agent, or Firm*—Sughrue Mion, PLLC

(73) Assignee: **Seiko Epson Corporation**, Tokyo (JP)

(57) **CLAIM**

(\*\*) Term: **14 Years**

The ornamental design for a printer, as shown and described.

(21) Appl. No.: **29/199,774**

**DESCRIPTION**

(22) Filed: **Feb. 20, 2004**

FIG. 1 is a perspective view of the top, front and right side of a printer showing our new design according to a first embodiment;

(30) **Foreign Application Priority Data**

Aug. 21, 2003 (JP) ..... 2003-024169  
Aug. 21, 2003 (JP) ..... 2003-024170

FIG. 2 is a front elevational view thereof;

(51) **LOC (8) Cl.** ..... **14-02**

(52) **U.S. Cl.** ..... **D18/50**

FIG. 3 is a rear elevational view thereof;

(58) **Field of Classification Search** ..... D18/14,  
D18/19, 21, 36-39, 53-54, 54.1, 55; D14/420-425,  
D14/462-470; 400/613, 613.1-613.4, 690.1-690.4,  
400/691-694

FIG. 4 is a left side elevational view thereof;

FIG. 5 is a right side elevational view thereof;

FIG. 6 is a top plan view thereof;

FIG. 7 is a bottom plan view thereof;

FIG. 8 is a perspective view of the top, front and right side according to a second embodiment;

FIG. 9 is a front elevational view thereof;

FIG. 10 is a rear elevational view thereof;

FIG. 11 is a left side elevational view thereof;

FIG. 12 is a right side elevational view thereof;

FIG. 13 is a top plan view thereof; and,

FIG. 14 is a bottom plan view thereof.

See application file for complete search history.

(56) **References Cited**

**U.S. PATENT DOCUMENTS**

D468,765 S \* 1/2003 Kobayashi et al. .... D18/55  
D479,264 S 9/2003 Suzuki et al.

**1 Claim, 12 Drawing Sheets**

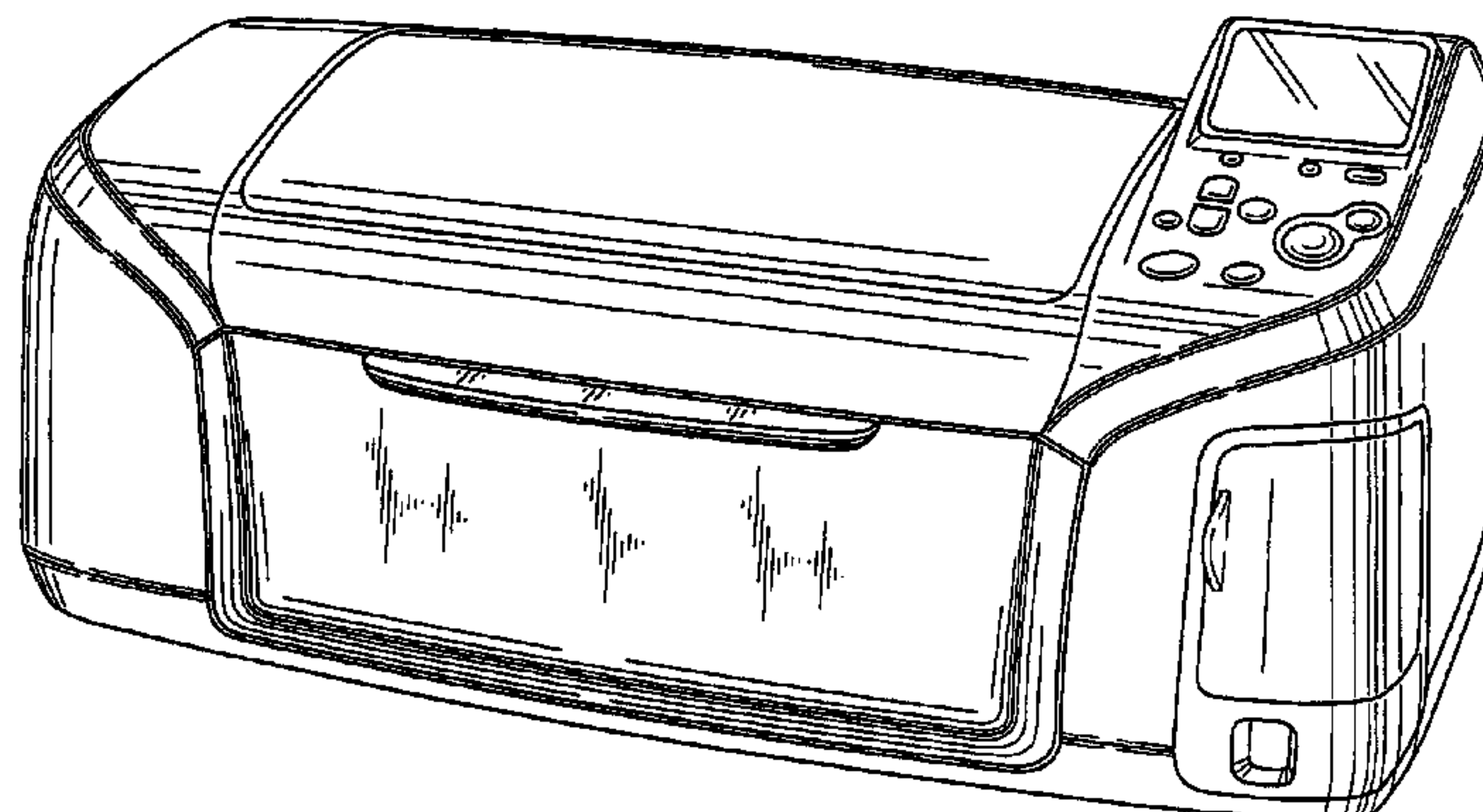
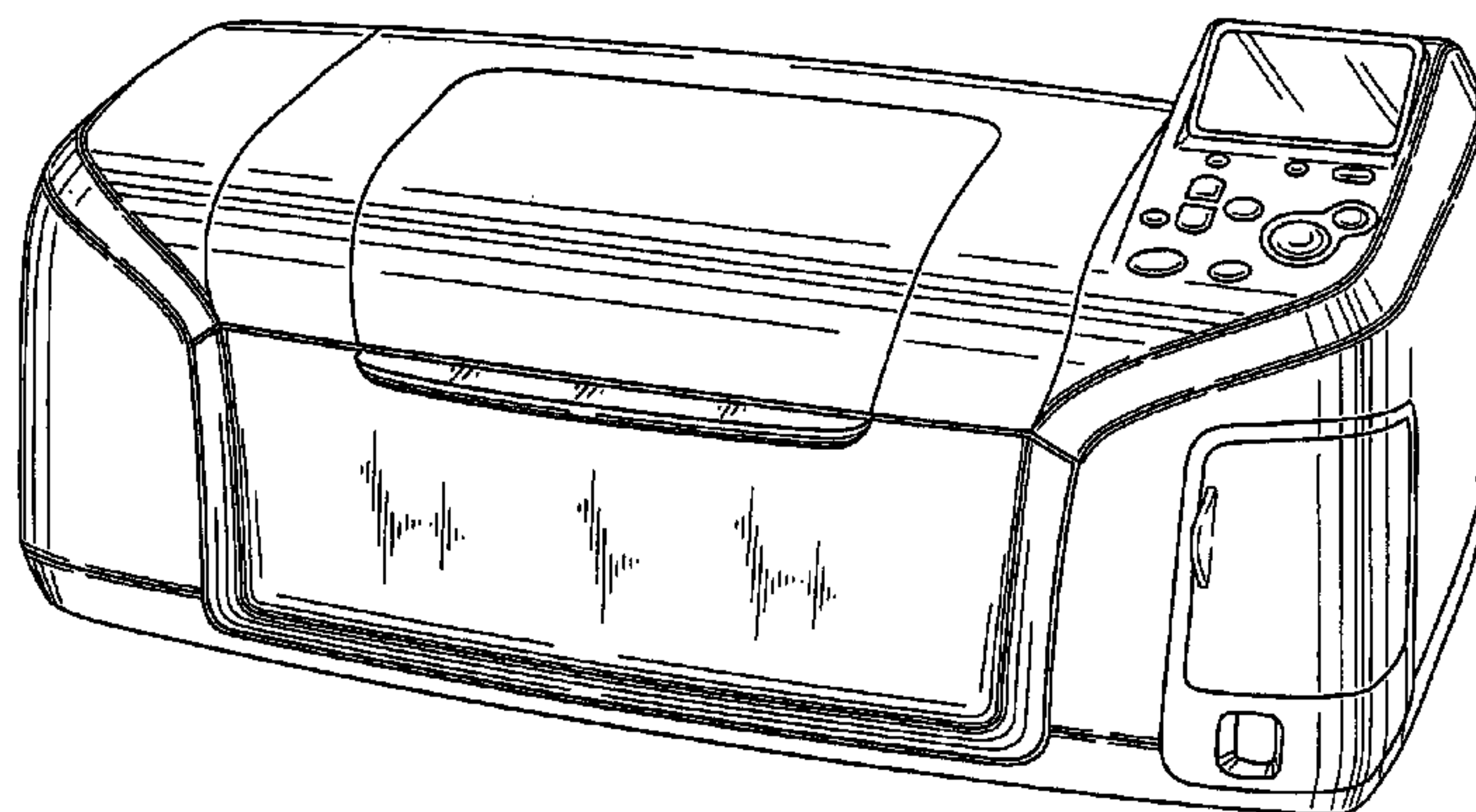


FIG. 1

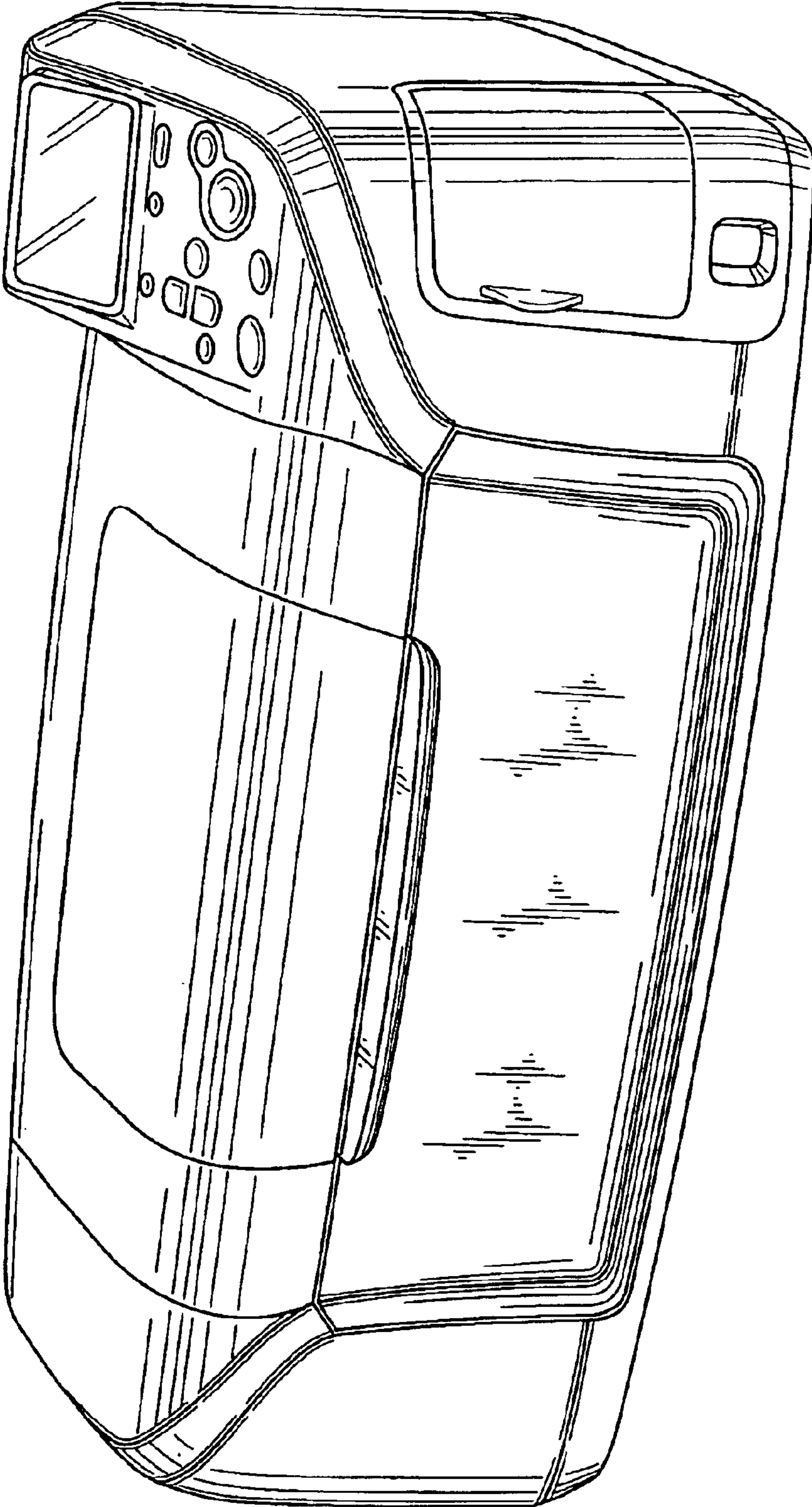


FIG. 2

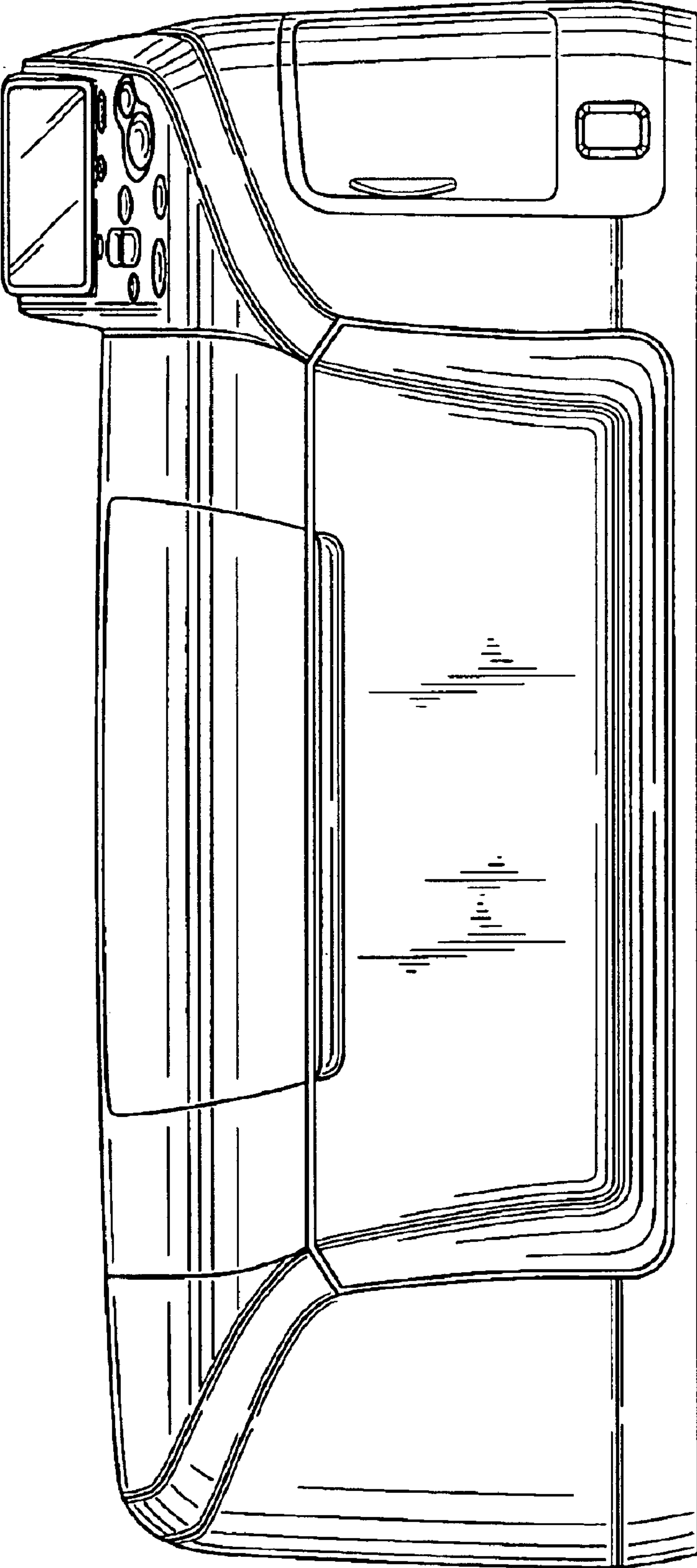
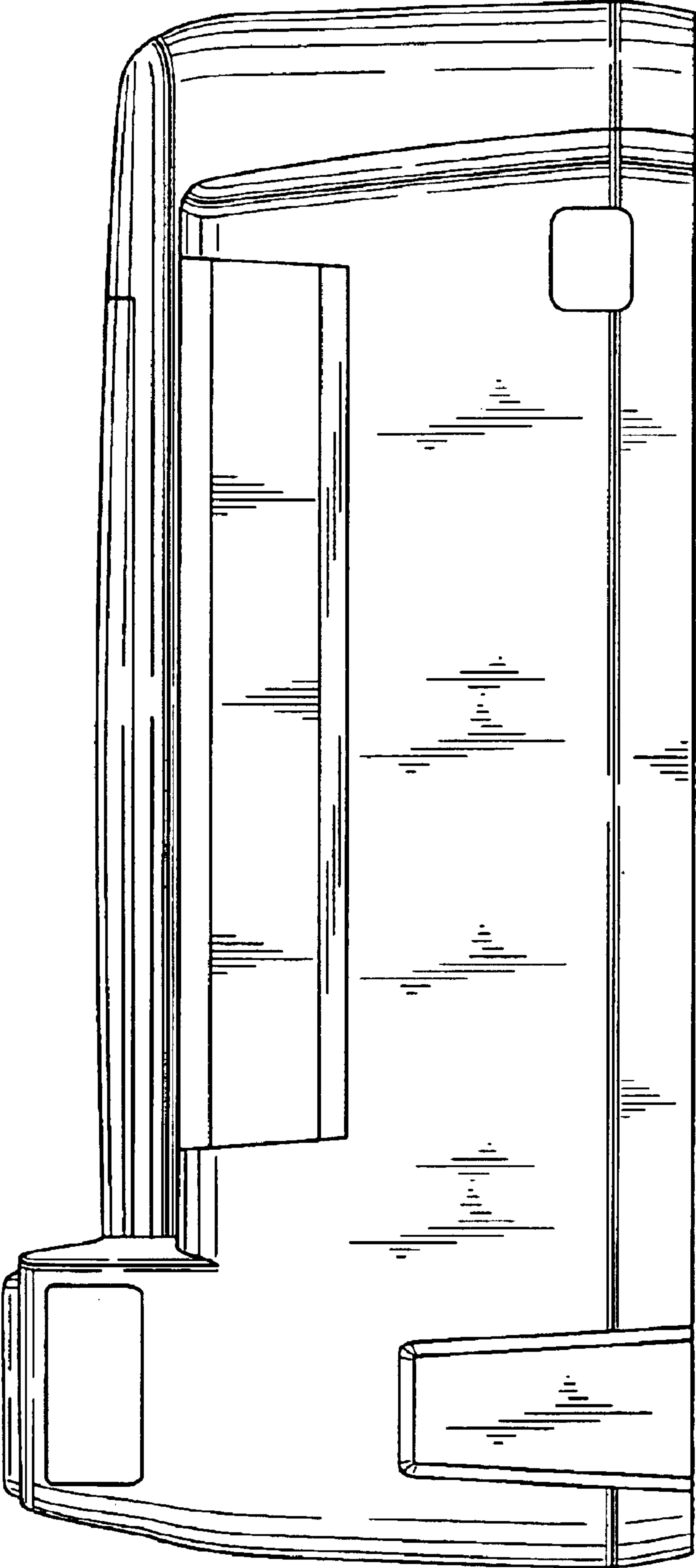
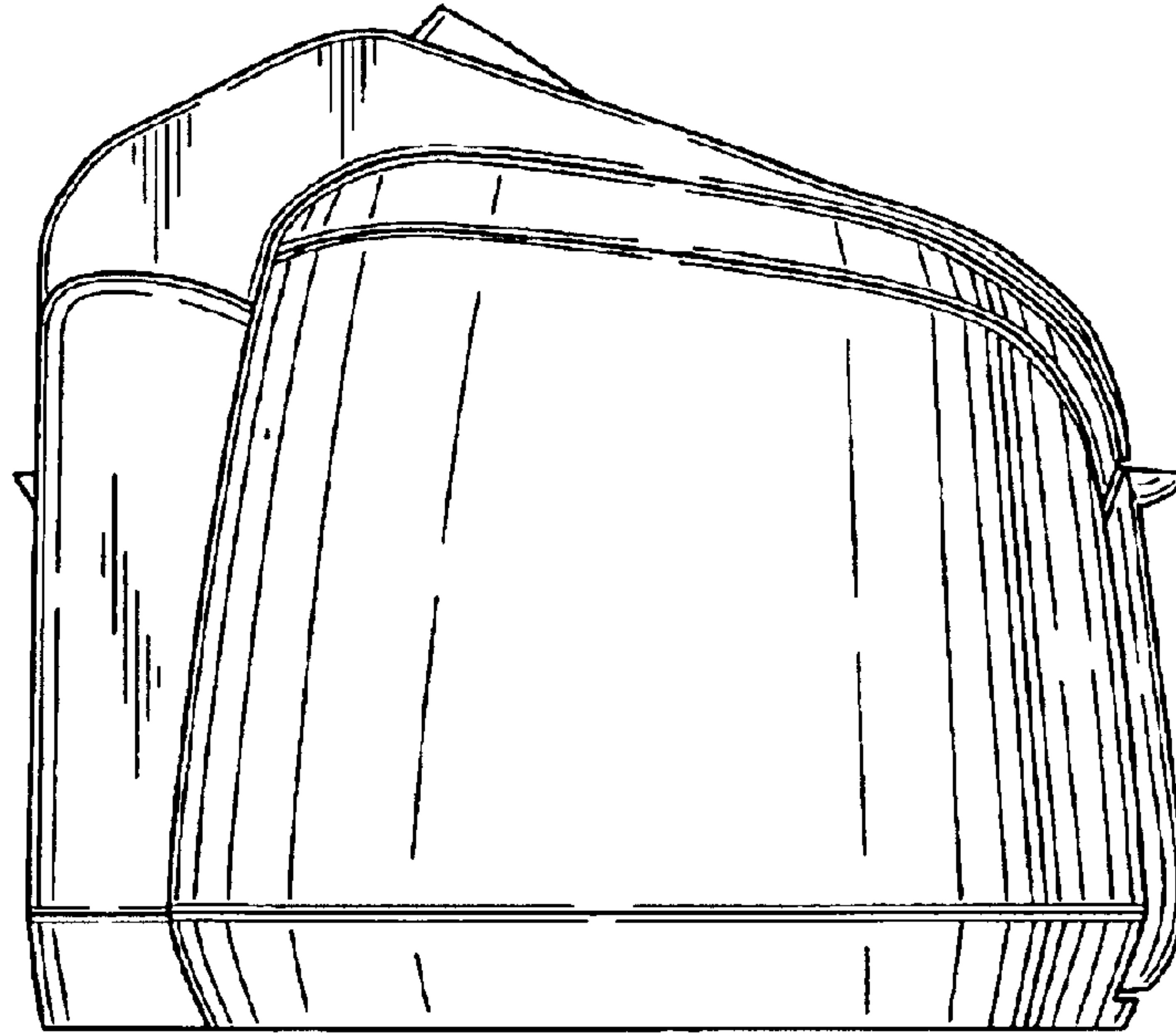


FIG. 3





**FIG. 4**



**FIG. 5**

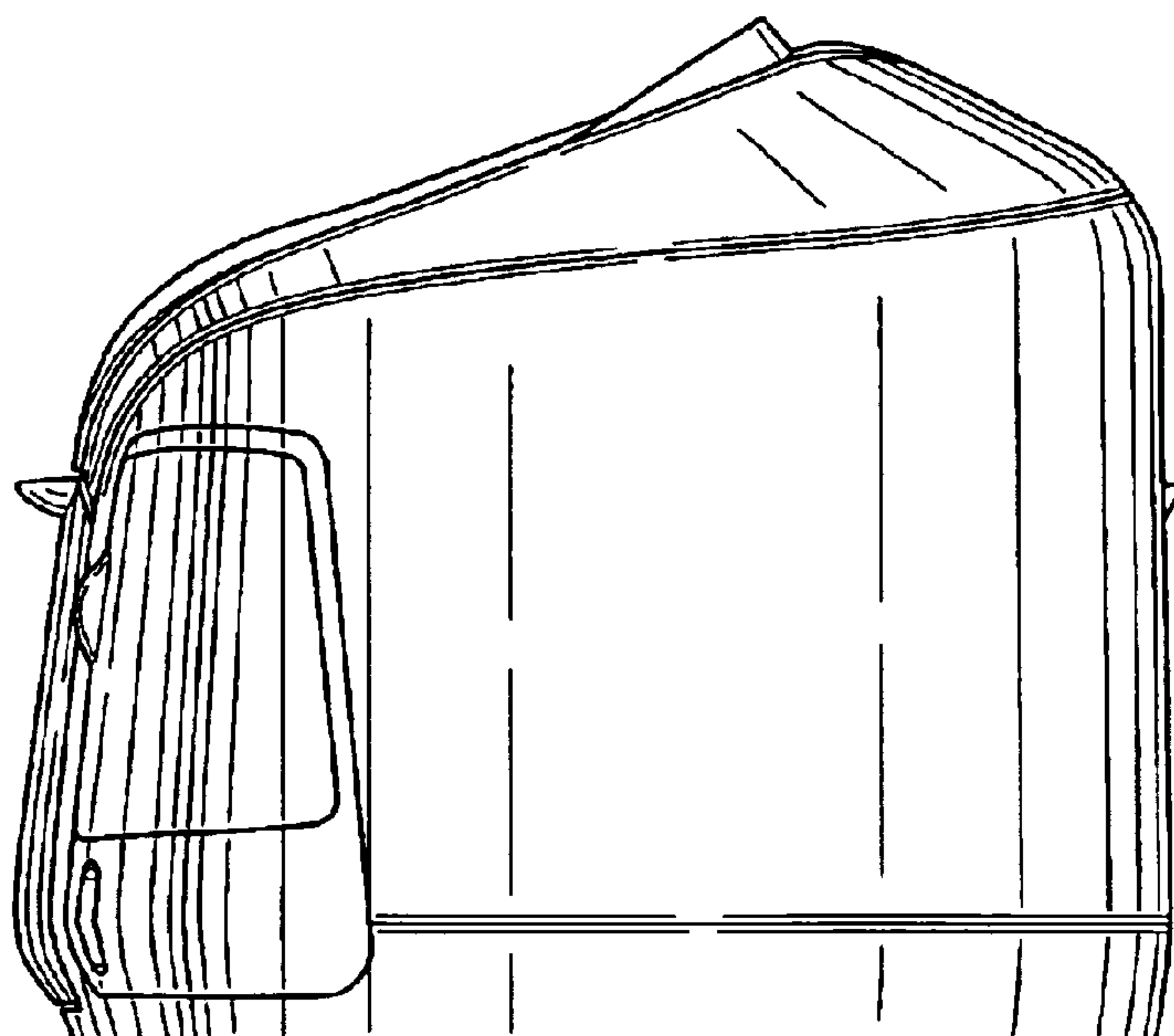


FIG. 6

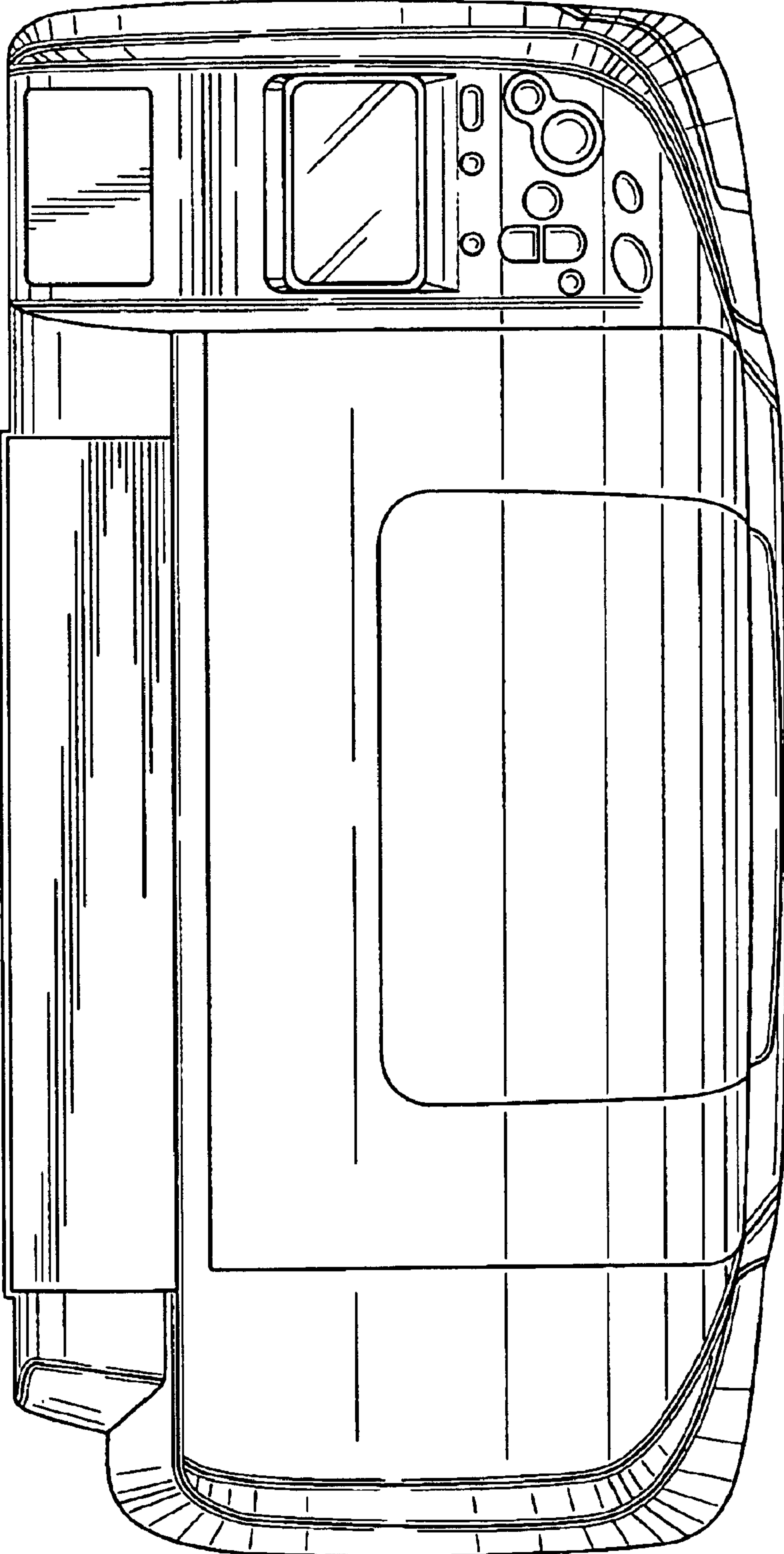


FIG. 7

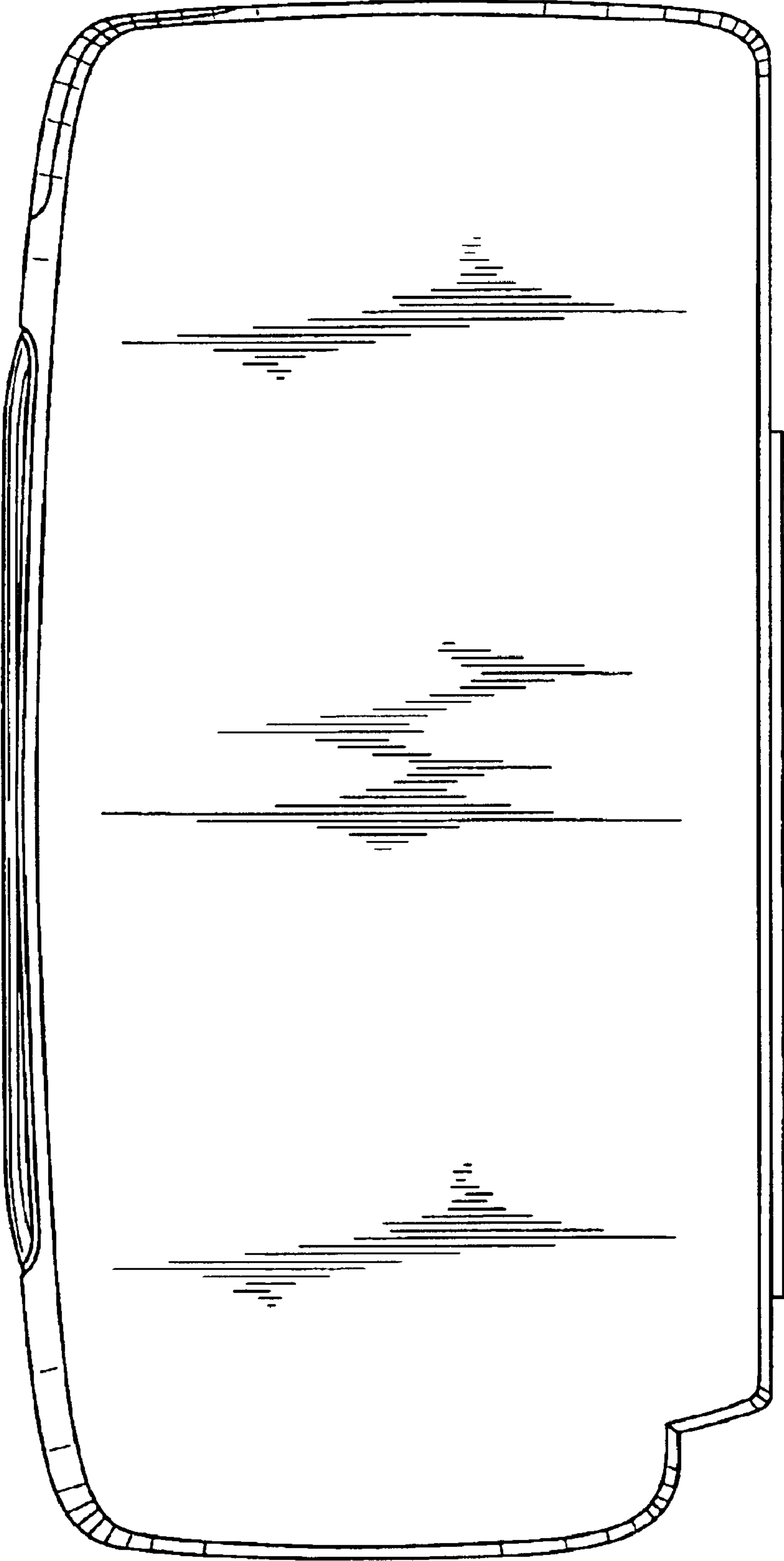


FIG. 8

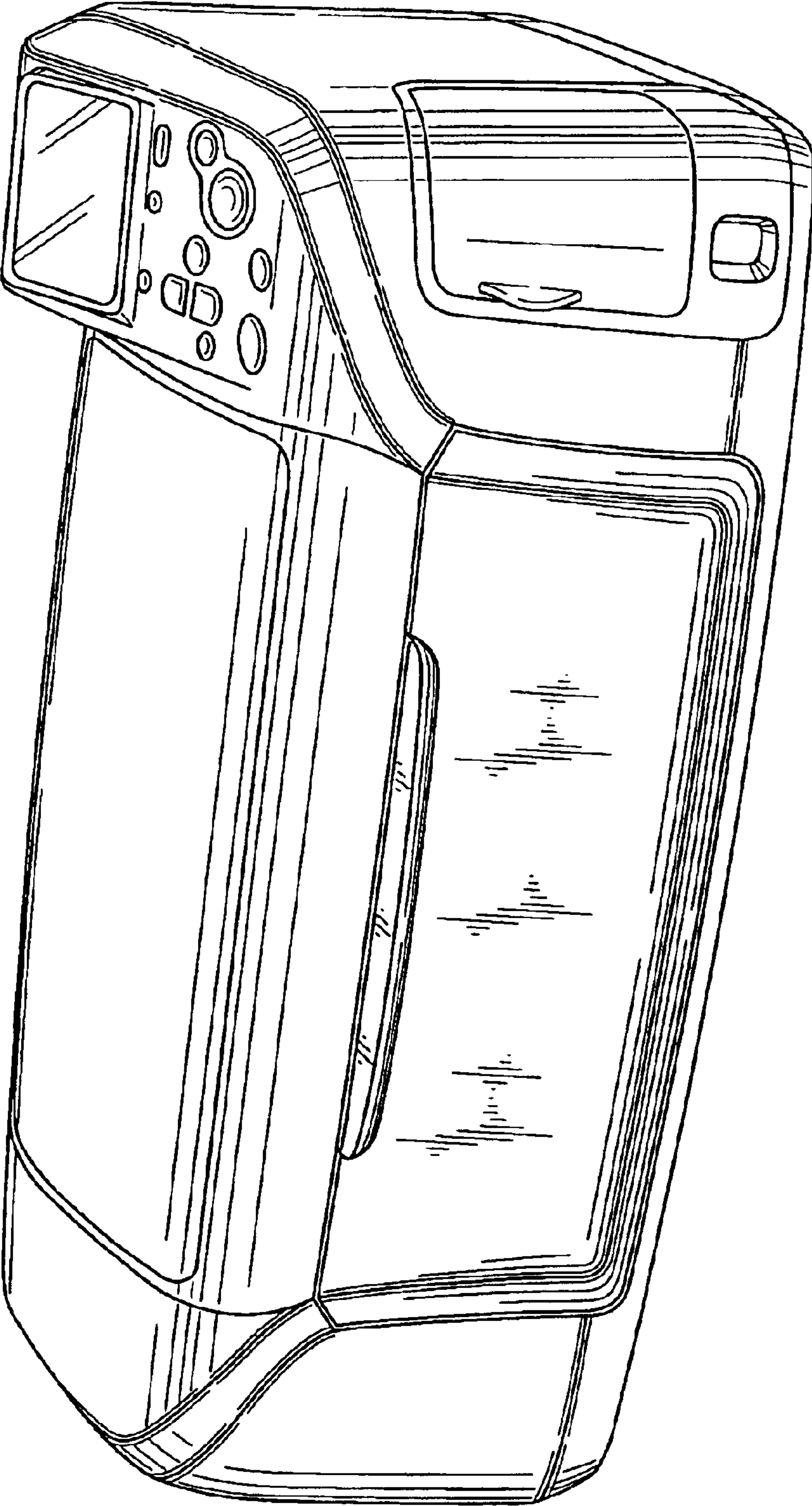




FIG. 9

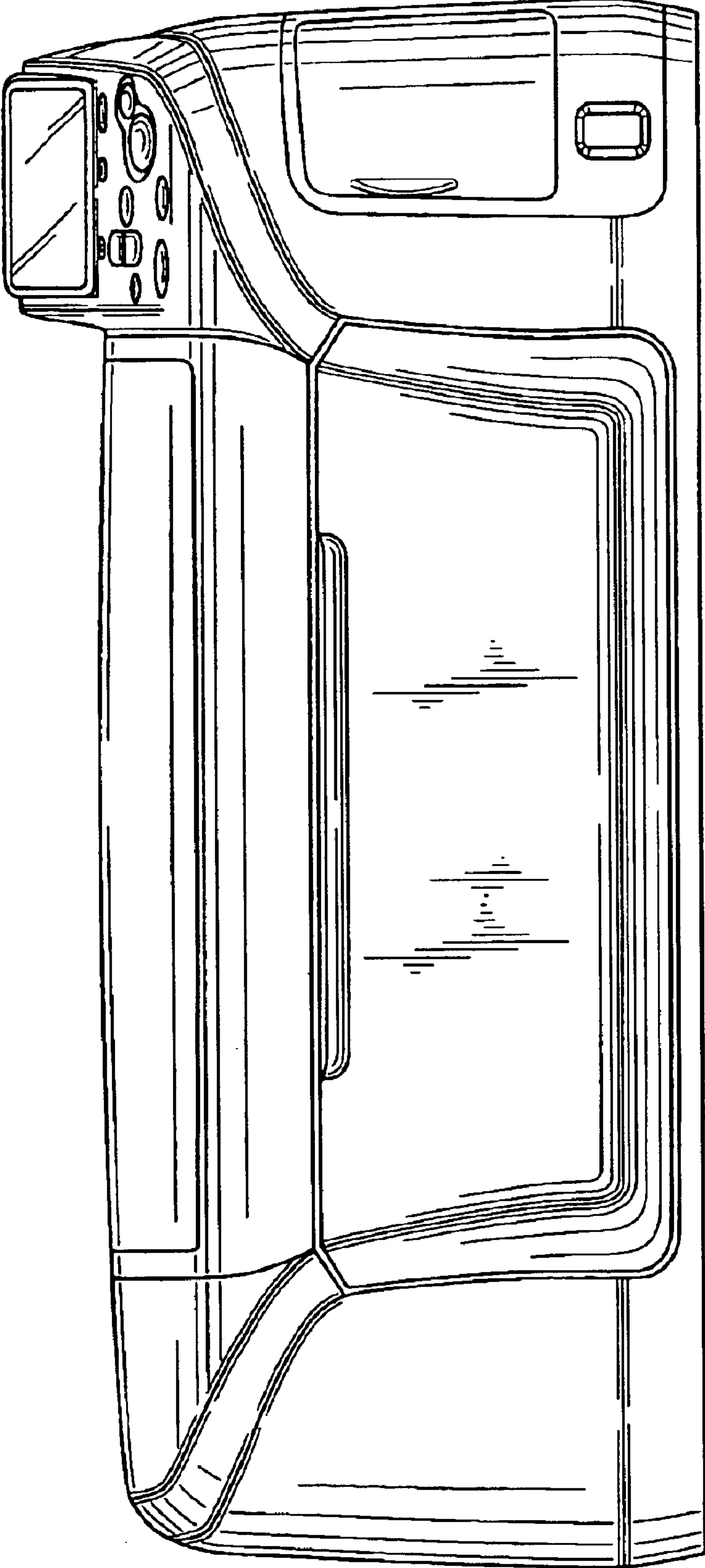
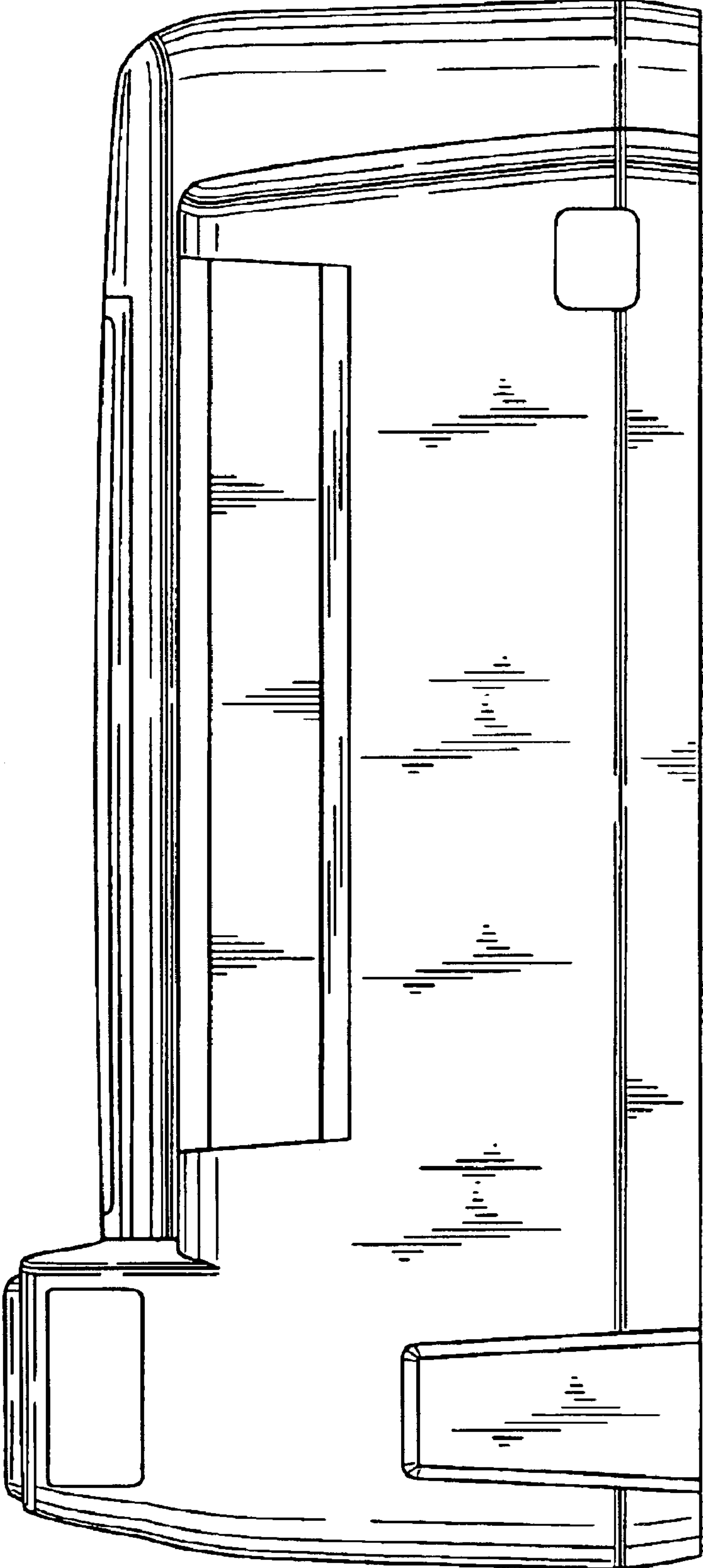
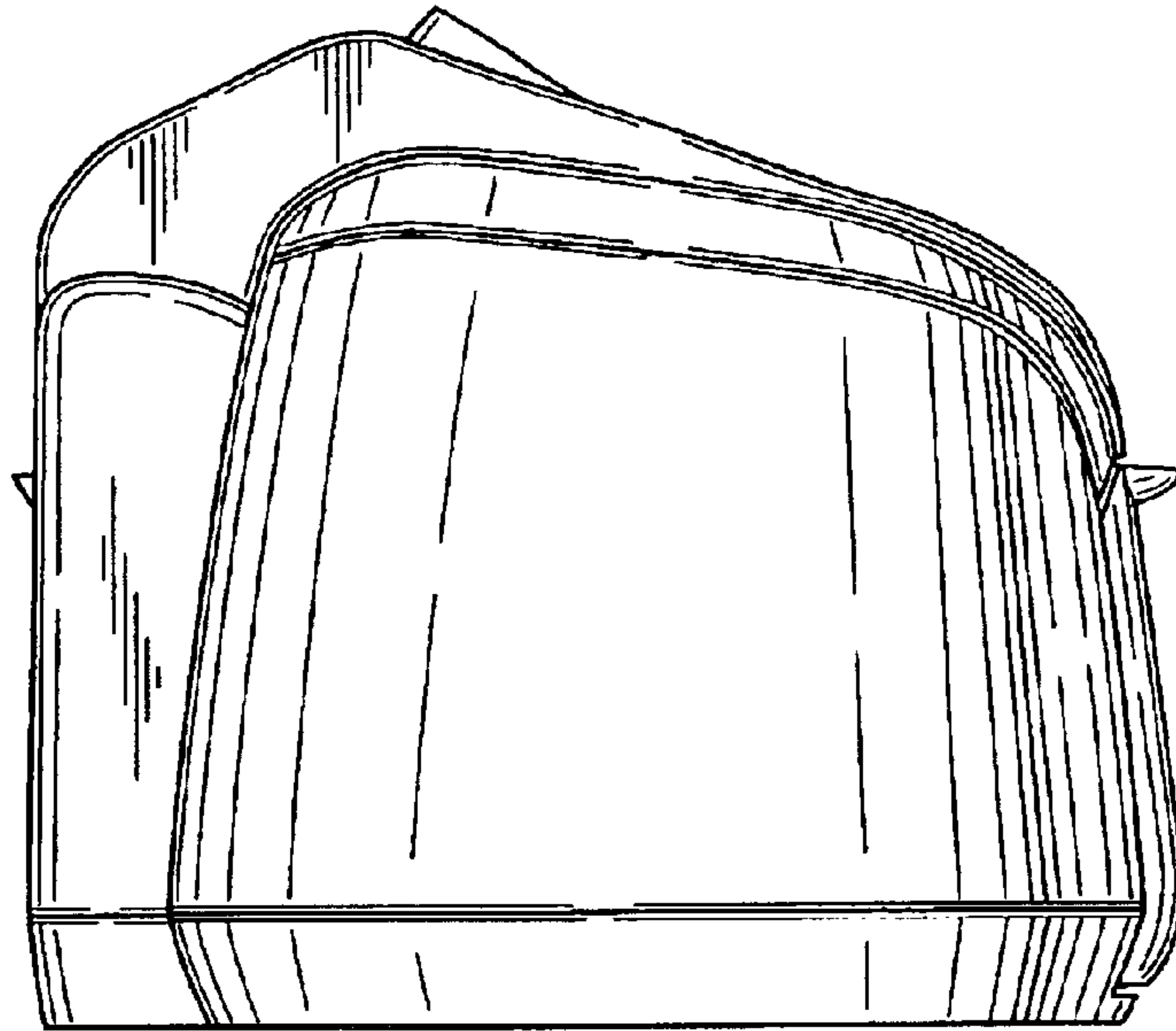


FIG. 10



*FIG. 11*



*FIG. 12*

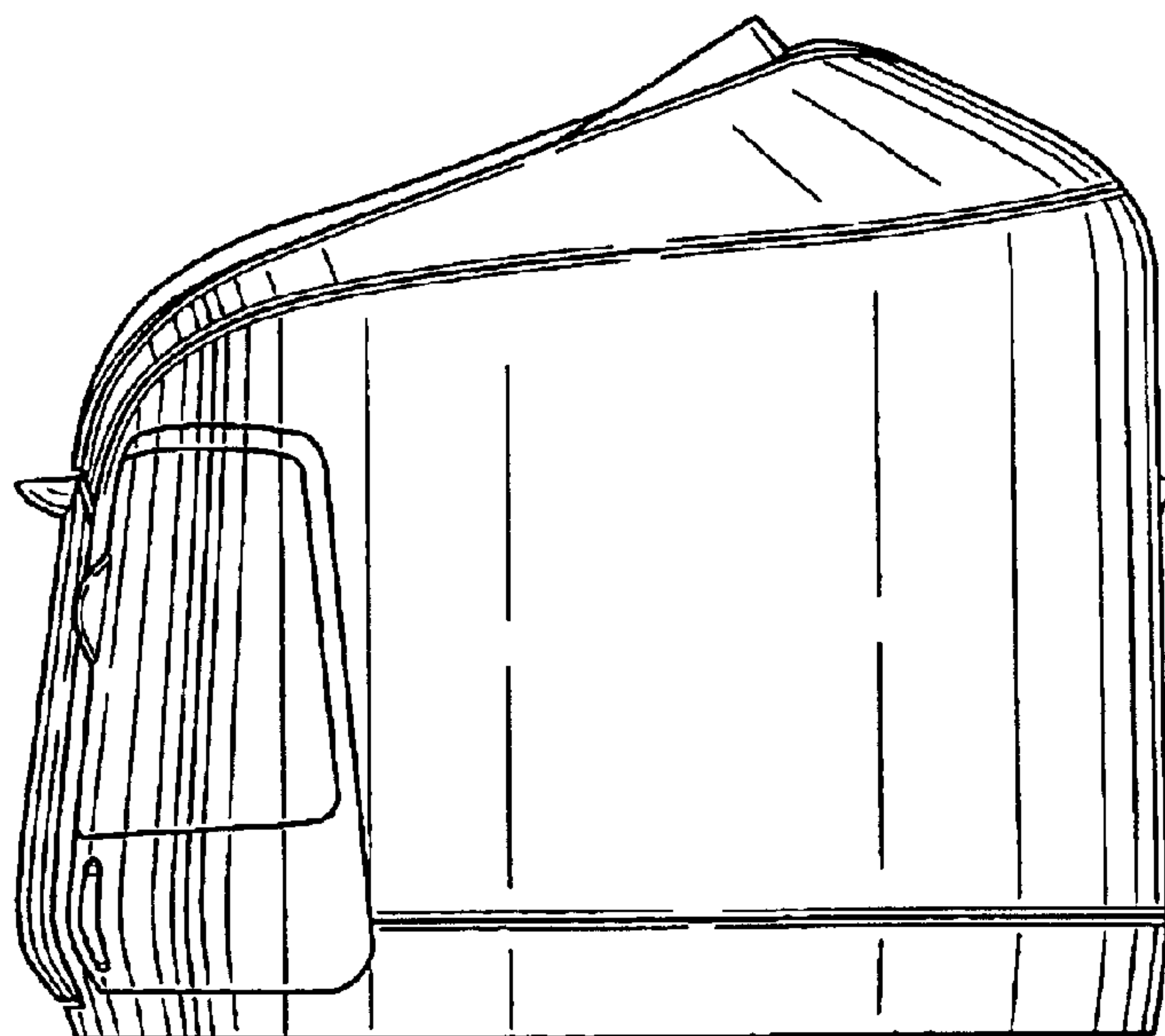


FIG. 13



FIG. 14

