



US00D517118S

(12) **United States Design Patent**  
**Yang et al.**

(10) **Patent No.:** **US D517,118 S**  
(45) **Date of Patent:** **\*\* Mar. 14, 2006**

(54) **SHREDDER**

(75) Inventors: **Frank Yang**, Rancho Palos Verdes, CA (US); **Joseph Sandor**, Santa Ana Heights, CA (US); **Myk Wayne Lum**, Irvine, CA (US)

(73) Assignee: **Simplehuman LLC**, Torrance, CA (US)

(\*\*) Term: **14 Years**

(21) Appl. No.: **29/211,093**

(22) Filed: **Aug. 11, 2004**

(51) **LOC (8) Cl.** ..... **18-04**

(52) **U.S. Cl.** ..... **D18/34.4**

(58) **Field of Classification Search** ..... D18/34.1-34.9,  
D18/99, 50; 85/85, 607, 468, 485, 583, 614,  
85/633; 241/100.36, 166, 167, 235, 236,  
241/168, 169, 284, 285.1-285.2  
See application file for complete search history.

(56) **References Cited**

**U.S. PATENT DOCUMENTS**

D299,148 S	12/1988	Nishibori et al.	
D327,904 S	* 7/1992	Silver et al.	D18/34.4
D375,973 S	11/1996	Kennedy et al.	
5,839,675 A	11/1998	Henreckson et al.	
5,988,542 A	* 11/1999	Henreckson et al.	241/236
D437,343 S	* 2/2001	Ho	D18/34.6
D444,809 S	* 7/2001	Chang	D18/34.4
D449,850 S	10/2001	Ho	
D454,907 S	* 3/2002	Ho	D18/34.6

D455,170 S	4/2002	Ho	
D455,171 S	* 4/2002	Ho	D18/34.6
D474,231 S	* 5/2003	Lammers et al.	D18/34.4
6,682,006 B1	1/2004	Lee	
D498,252 S	* 11/2004	Lo	D18/34.6
2002/0017579 A1	2/2002	Lee	
2003/0025013 A1	2/2003	Lee	

\* cited by examiner

*Primary Examiner*—Charles A. Rademaker  
(74) *Attorney, Agent, or Firm*—Liu & Liu

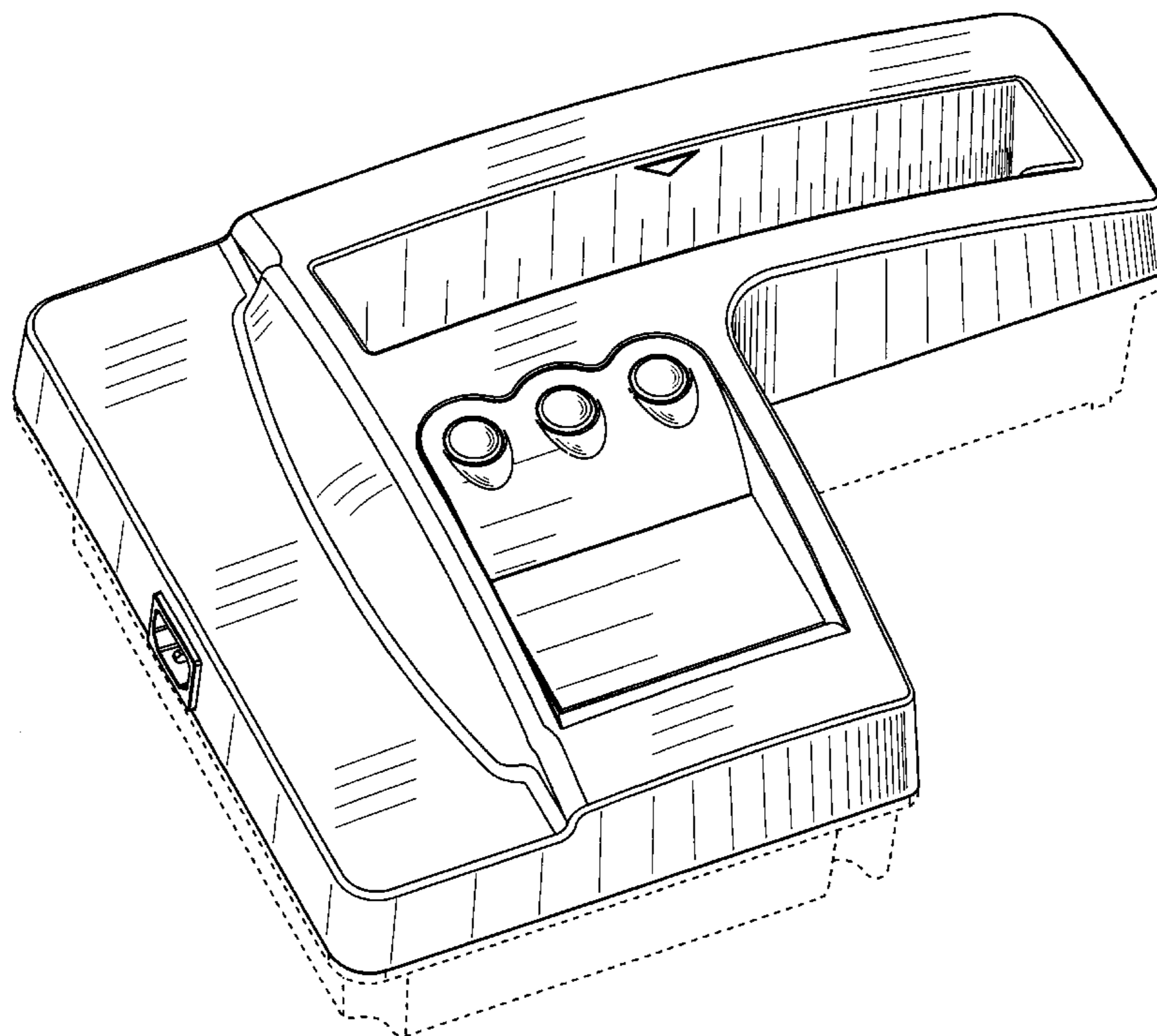
(57) **CLAIM**

The ornamental design for the shredder, as shown and described.

**DESCRIPTION**

FIG. 1 is a perspective view of a shredder showing our new design with broken lines used to illustrate environment only; FIG. 2 is a top plan view thereof; FIG. 3 is a front elevation thereof; FIG. 4 is a rear elevation thereof; FIG. 5 is a right side elevation thereof; FIG. 6 is a left side elevation thereof; FIG. 7 is another perspective view thereof with broken lines used to illustrate an alternate environment; and, FIG. 8 is another perspective view thereof with broken lines used to illustrate another alternate environment. The broken line showing of environment in the figure drawings is for illustrative purposes only and forms no part of the claimed design.

**1 Claim, 8 Drawing Sheets**



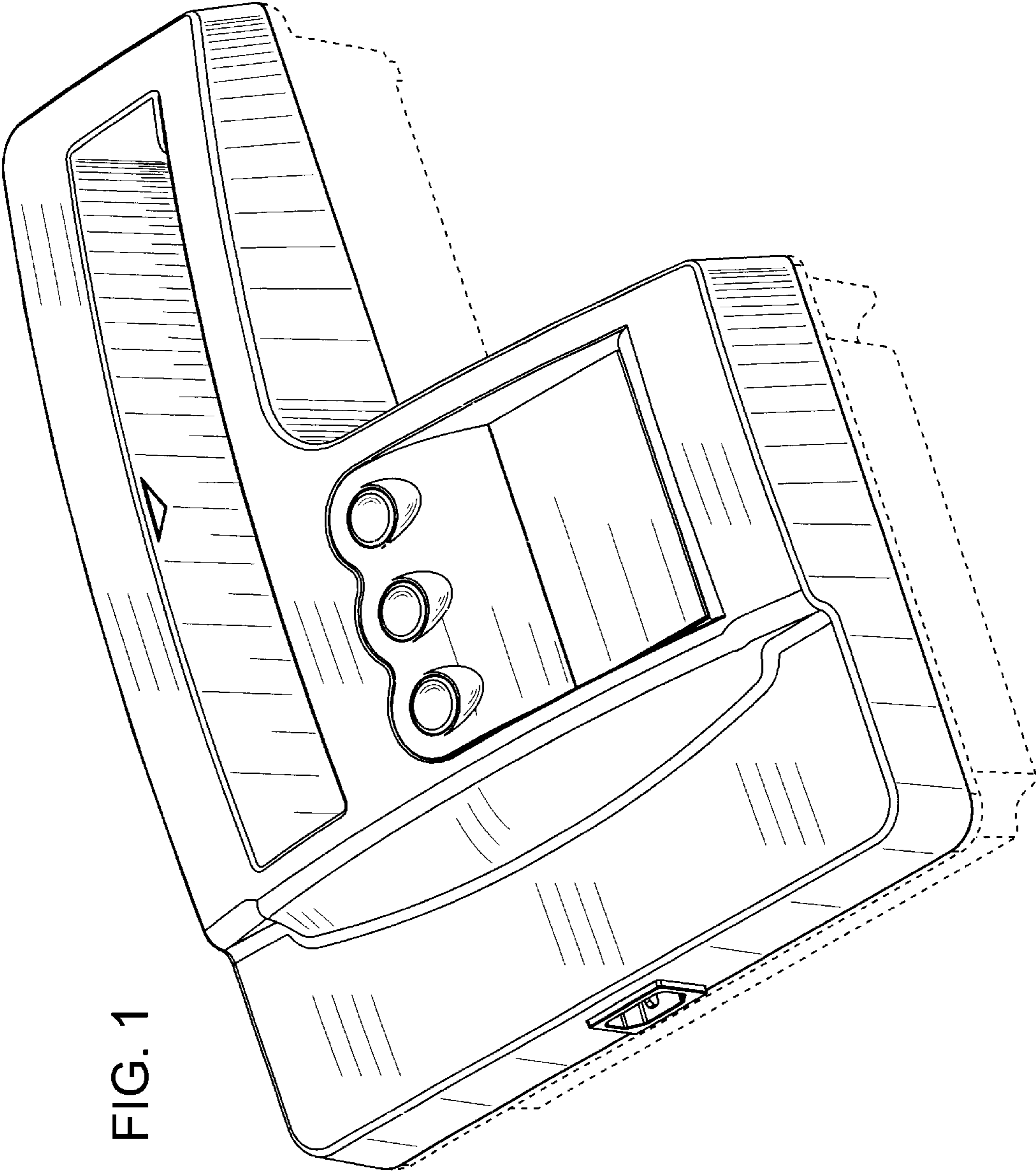


FIG. 1

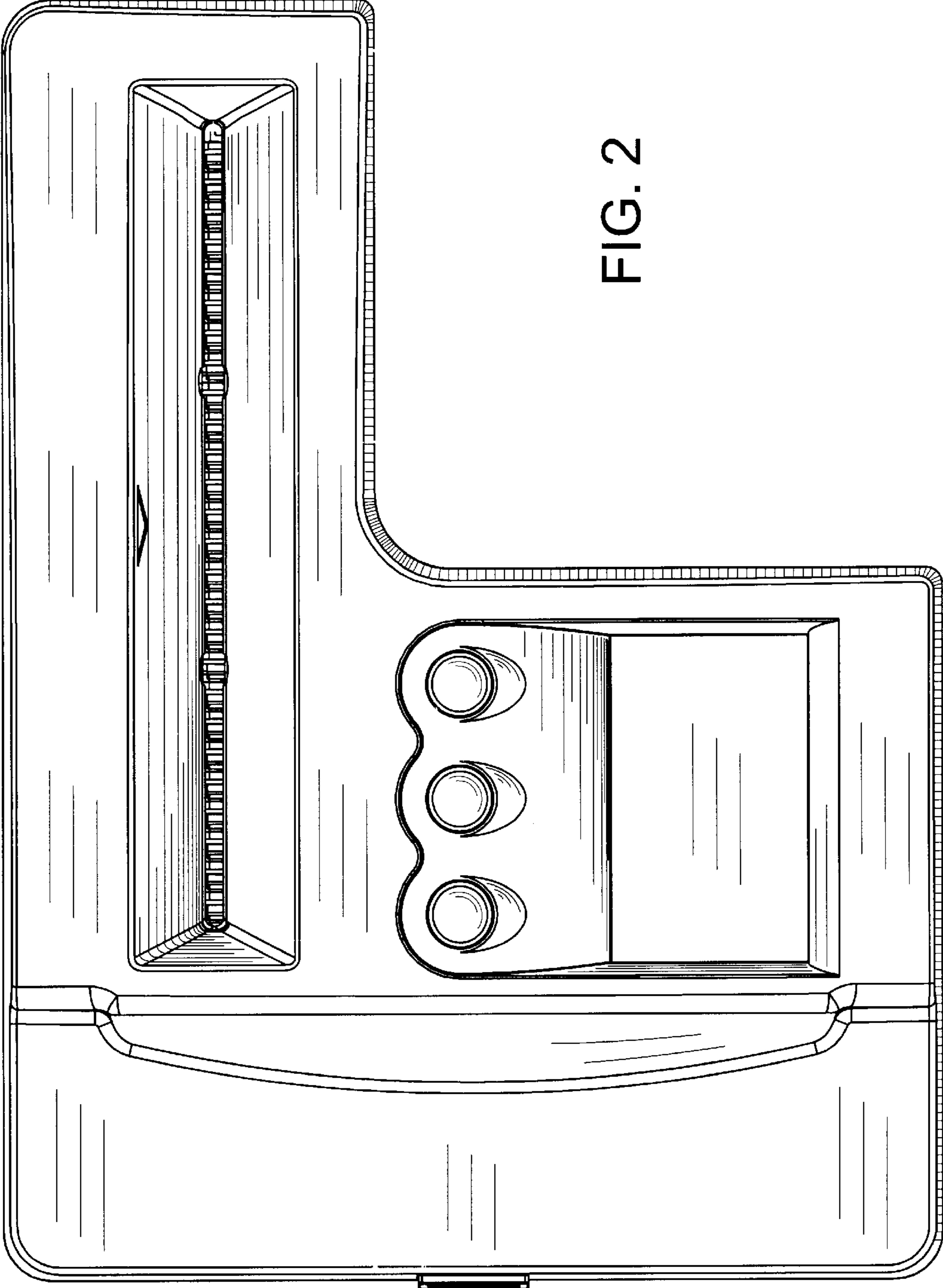


FIG. 2

FIG. 3

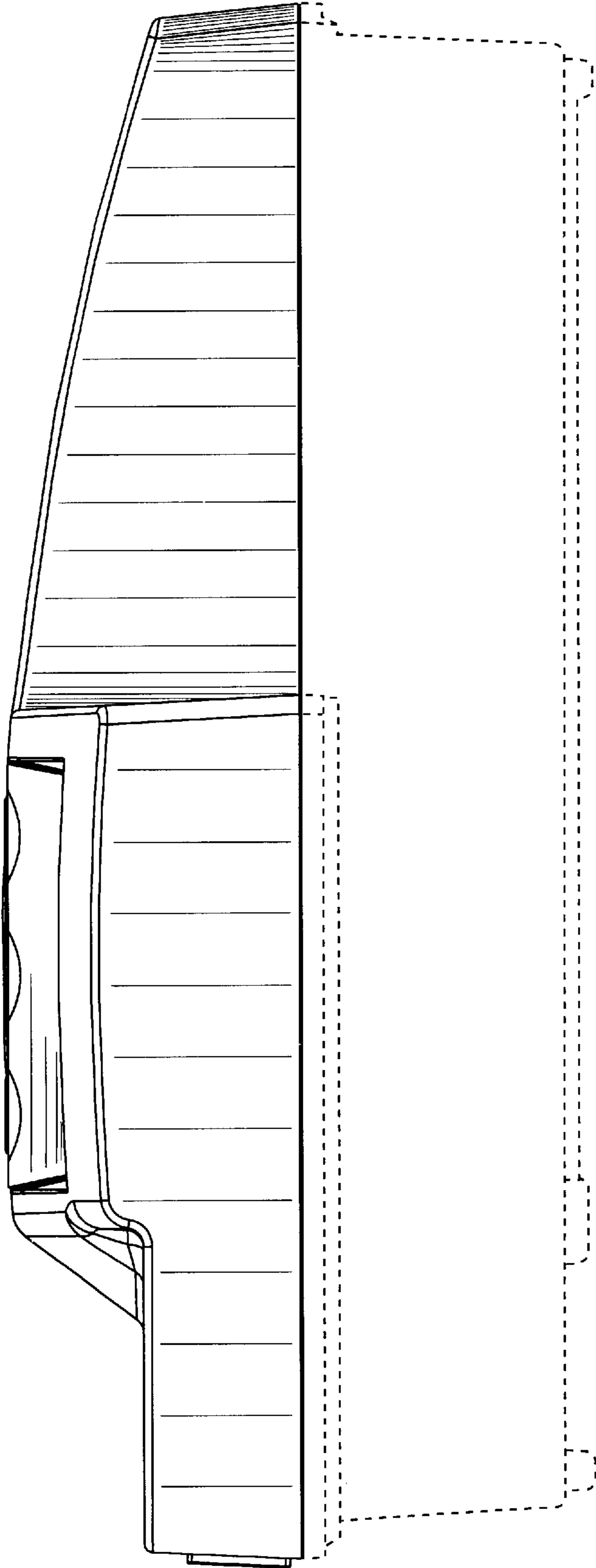


FIG. 4

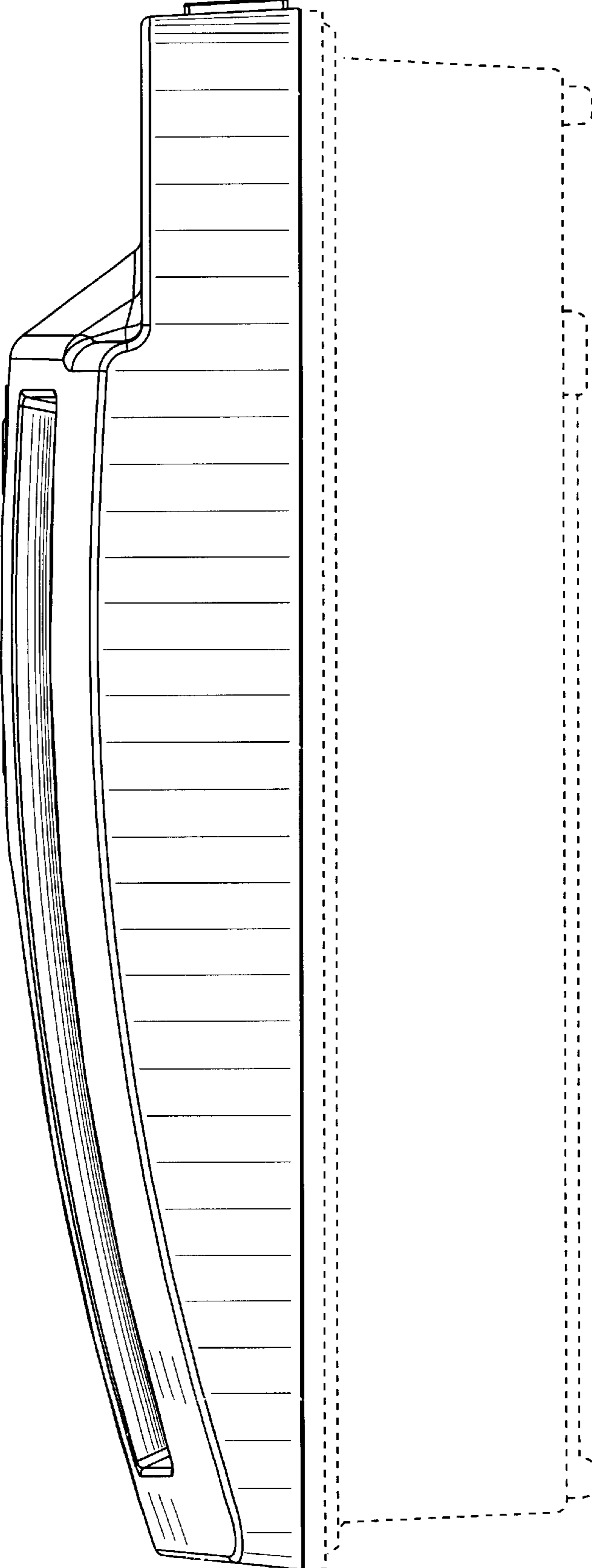


FIG. 5

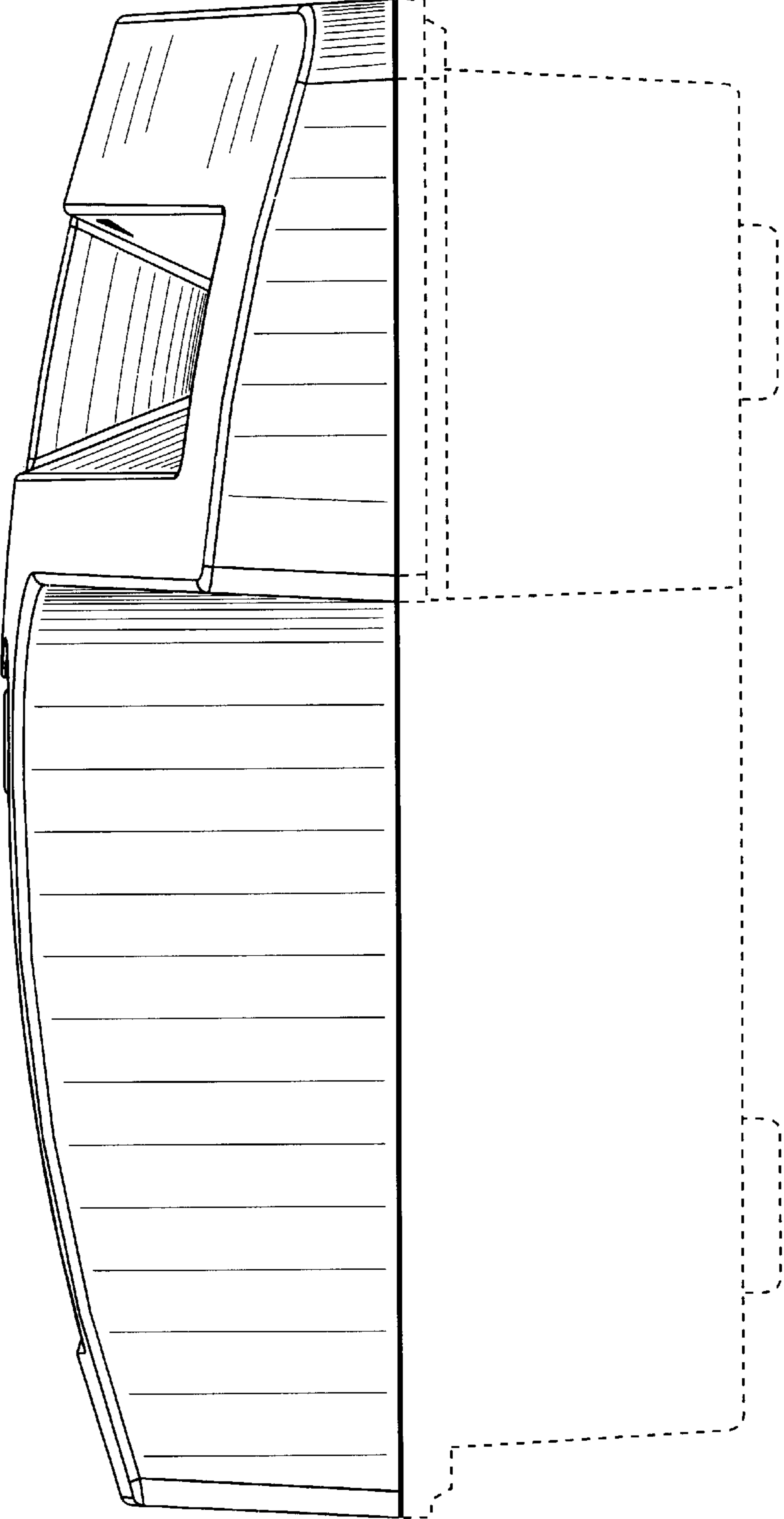
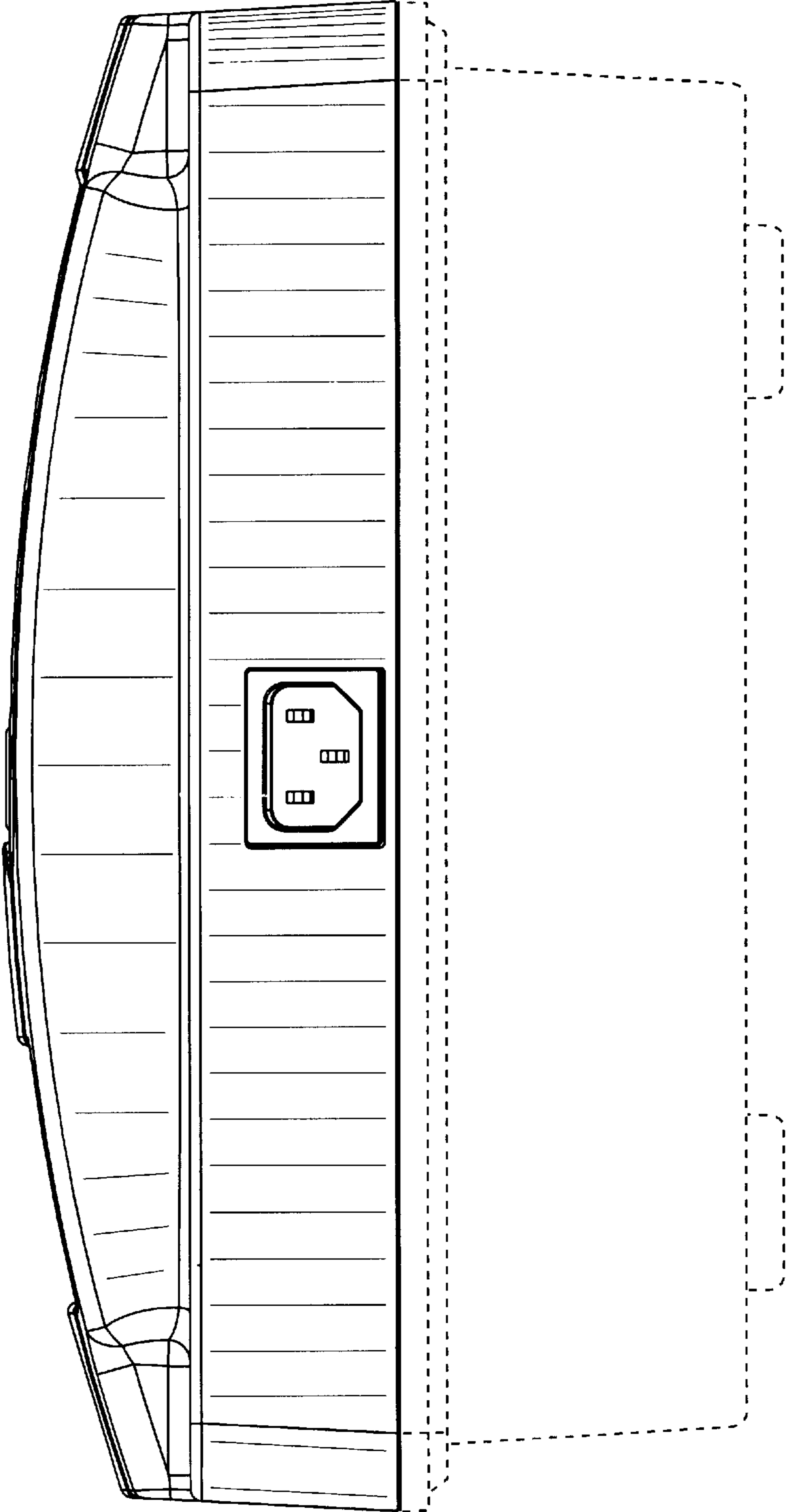


FIG. 6



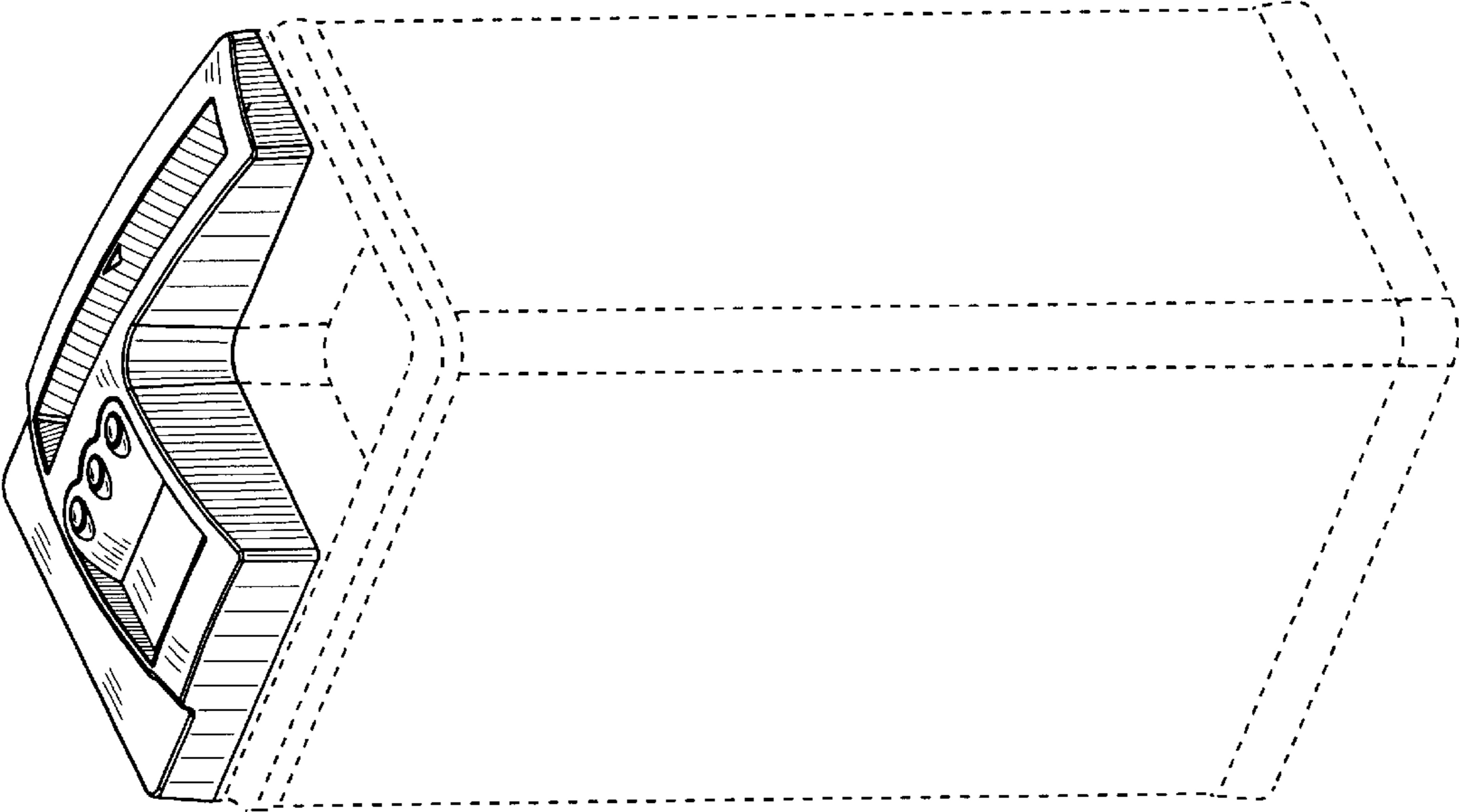


FIG. 7



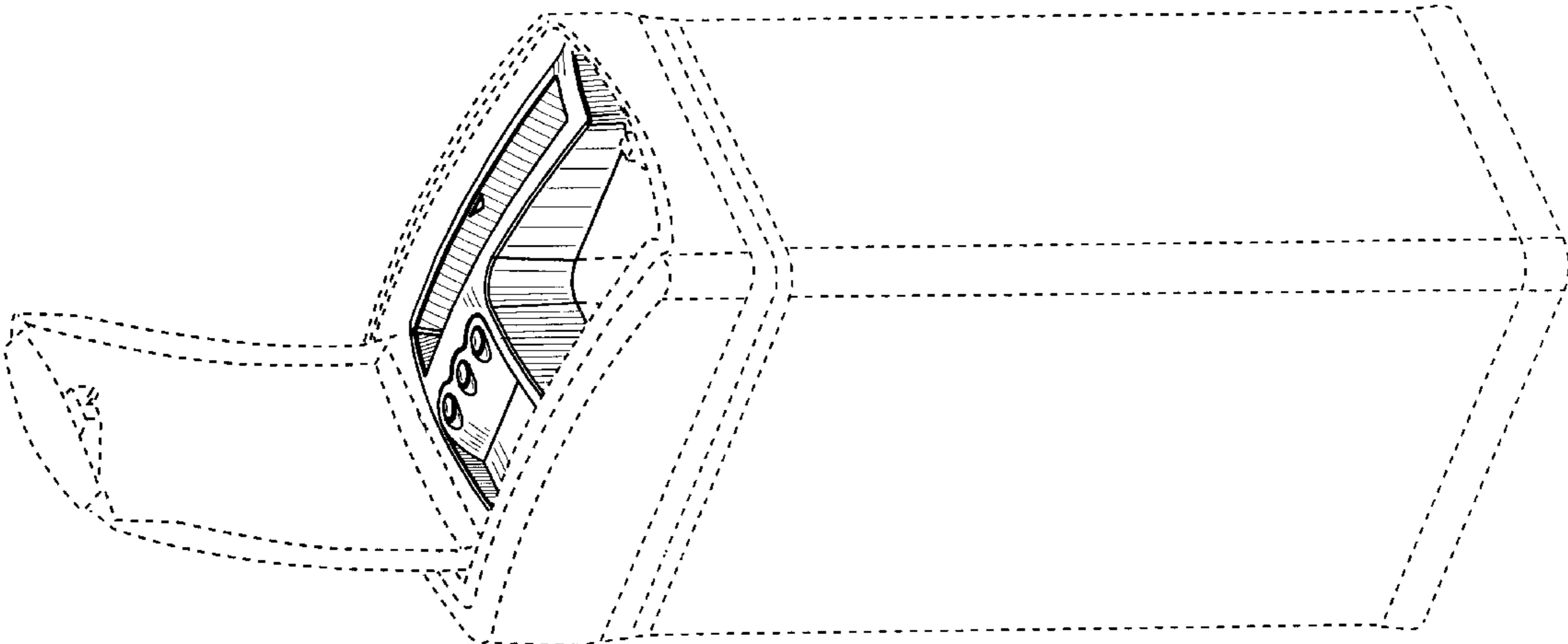


FIG. 8