



US00D517115S

(12) **United States Design Patent**
Kuwada

(10) **Patent No.:** **US D517,115 S**
(45) **Date of Patent:** **** Mar. 14, 2006**

(54) **BANK NOTE COUNTER**

(75) **Inventor:** **Masao Kuwada, Himeji (JP)**

(73) **Assignee:** **Glory Kogyo Kabushiki Kaisha,**
Hyogo-ken (JP)

(**) **Term:** **14 Years**

(21) **Appl. No.:** **29/226,913**

(22) **Filed:** **Apr. 5, 2005**

(30) **Foreign Application Priority Data**

Oct. 5, 2004 (JP) 2004-030226

(51) **LOC (8) Cl.** **18-01**

(52) **U.S. Cl.** **D18/3.3**

(58) **Field of Classification Search** D18/3.1,
D18/3.2, 46, 47, 3.3, 49; D99/28, 34, 35;
235/379, 380, 381, 383; 194/217, 347; D10/97;
D20/9; 382/135; 453/3, 10, 61; 209/534
See application file for complete search history.

(56) **References Cited**

U.S. PATENT DOCUMENTS

D274,520 S * 7/1984 Bressler D18/49
D278,831 S * 5/1985 Bressler et al. D18/3.3

D369,984 S * 5/1996 Larsen D10/97
D377,766 S * 2/1997 Hidaka et al. D18/3.3
5,790,697 A * 8/1998 Munro et al. 382/135
D427,623 S * 7/2000 Kuwada et al. D18/3.1
D452,973 S * 1/2002 Kuwada D18/3.3
D457,554 S * 5/2002 Takagi et al. D18/3.3
D477,349 S * 7/2003 Osada D18/3.1

* cited by examiner

Primary Examiner—Paula A. Greene

(74) *Attorney, Agent, or Firm*—Wenderoth, Lind & Ponack,
LL.P.

(57) **CLAIM**

The ornamental design for a bank note counter, as shown
and described.

DESCRIPTION

FIG. 1 is a front perspective view thereof;
FIG. 2 is a rear perspective view thereof;
FIG. 3 is a front elevational view thereof;
FIG. 4 is a rear elevational view thereof;
FIG. 5 is a top plan view thereof;
FIG. 6 is a bottom plan view thereof;
FIG. 7 is a left side elevational view thereof; and,
FIG. 8 is a right side elevational view thereof.

1 Claim, 3 Drawing Sheets

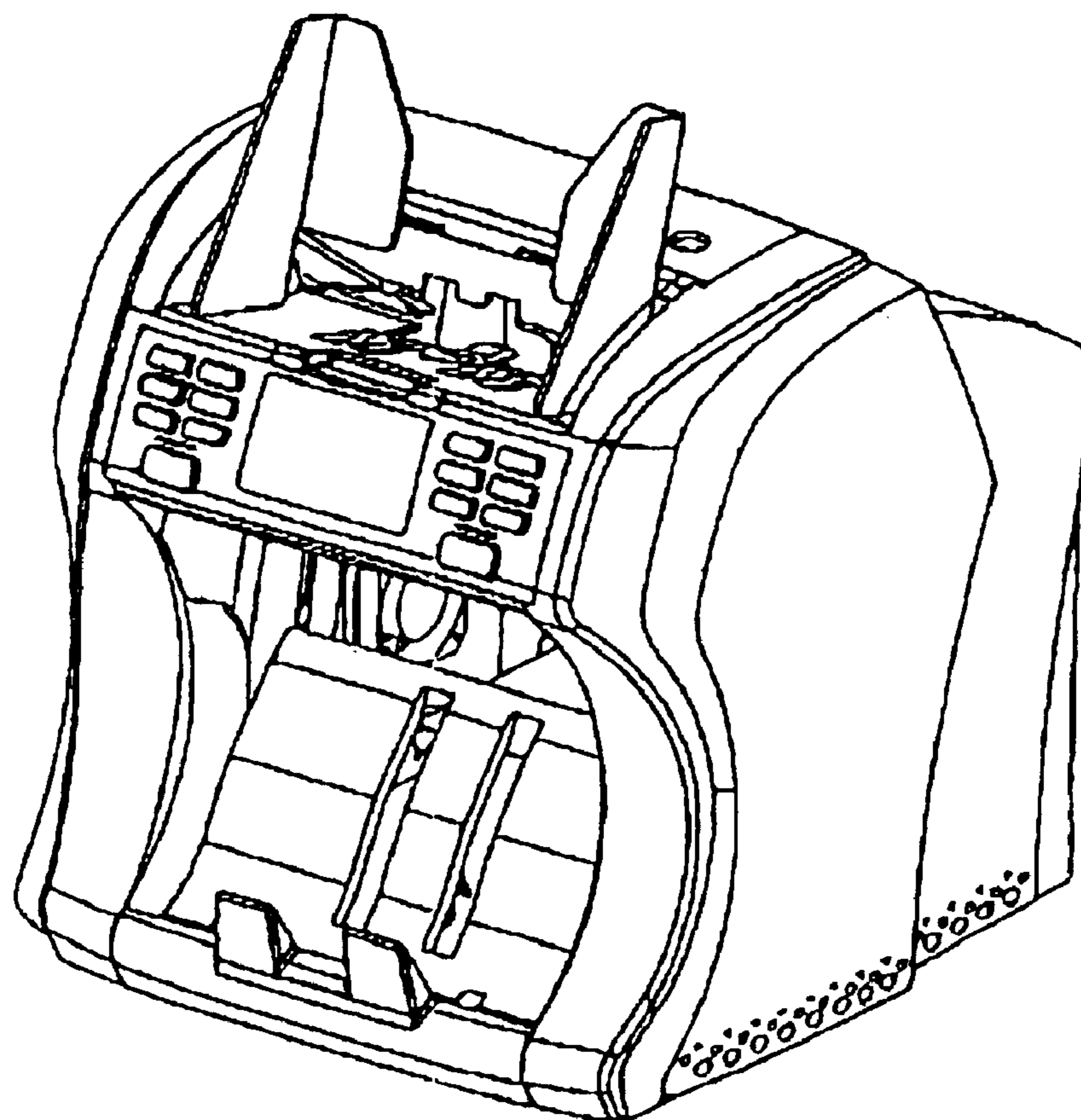


FIG. 1

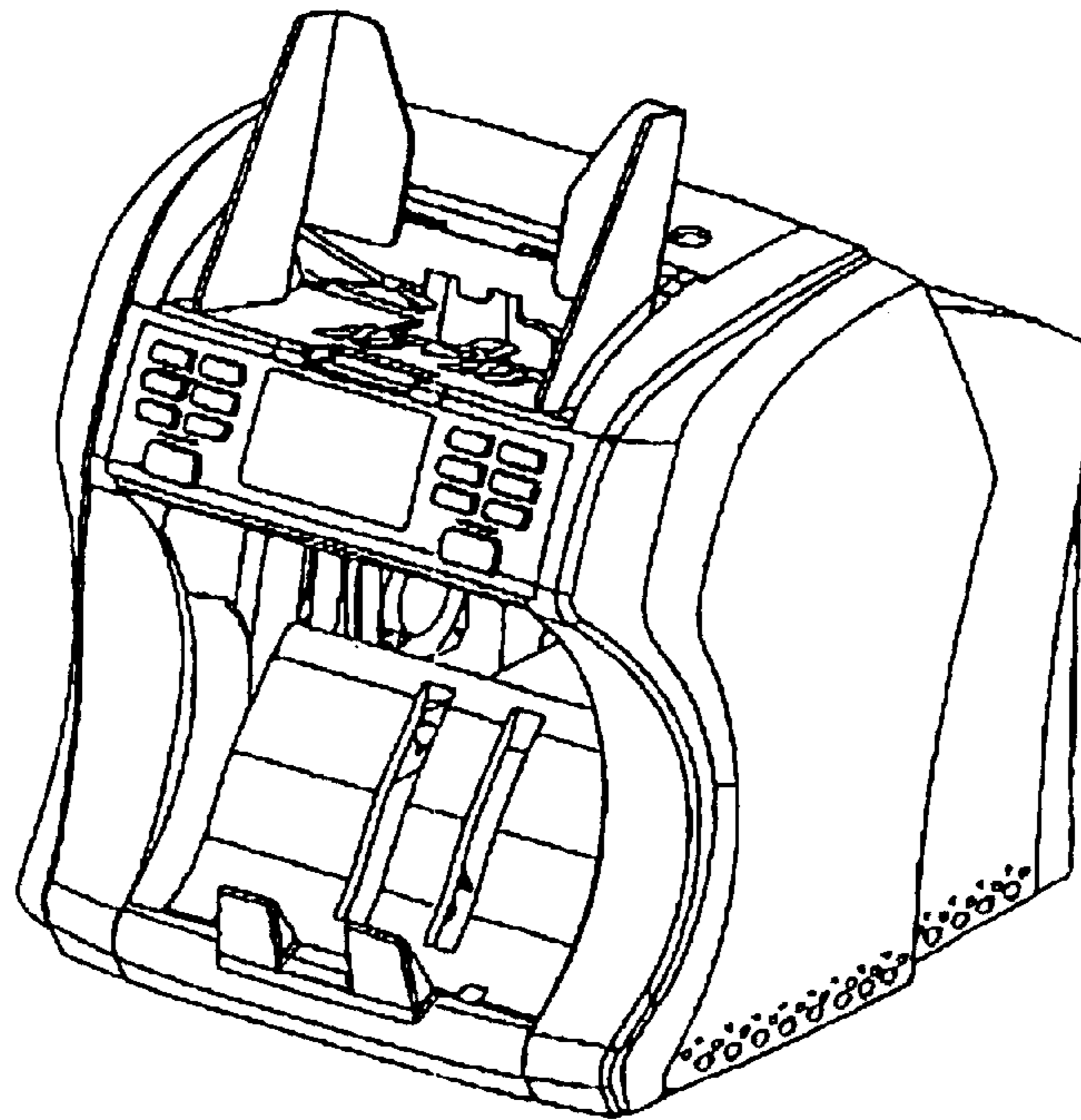


FIG. 2

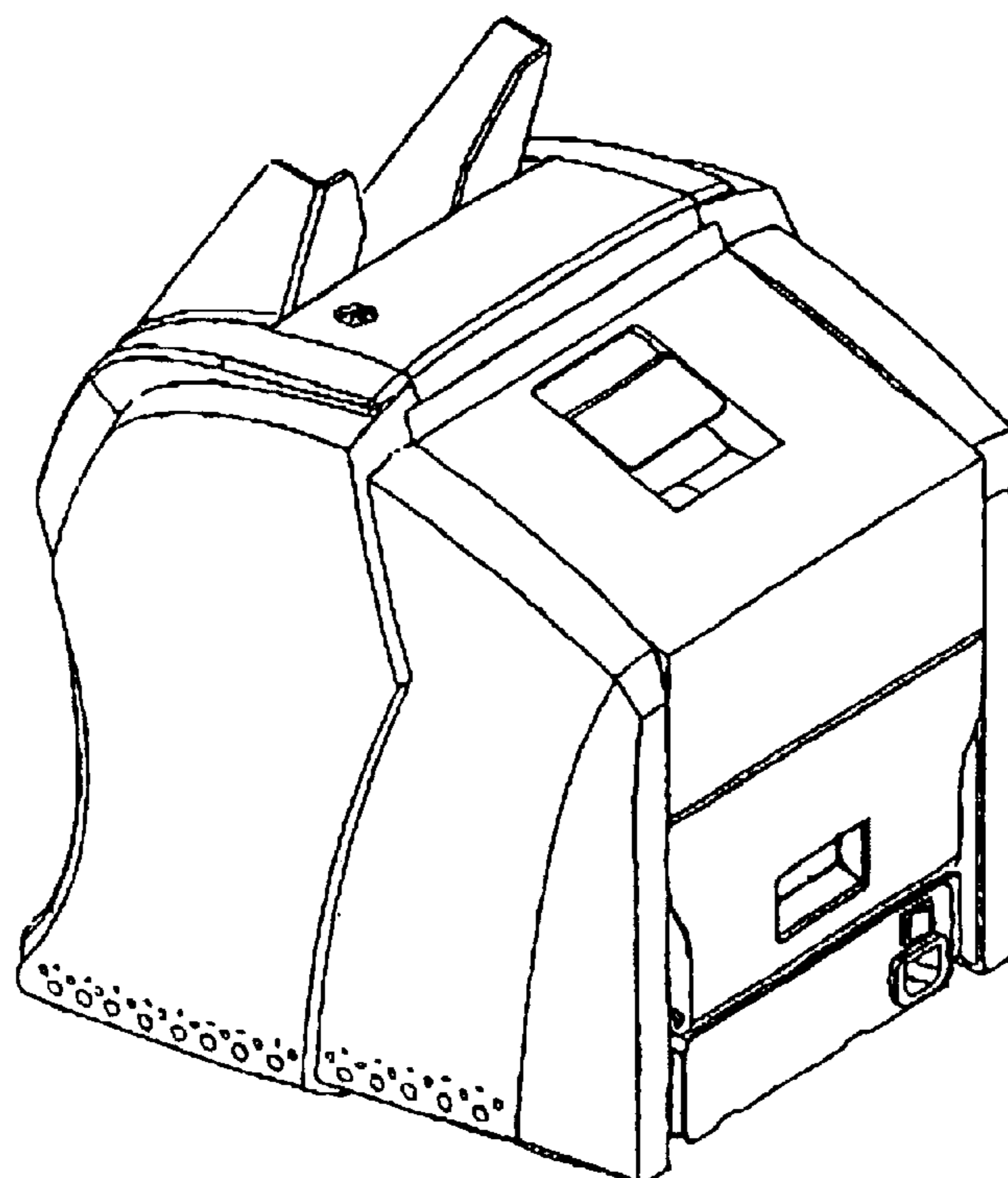


FIG. 3

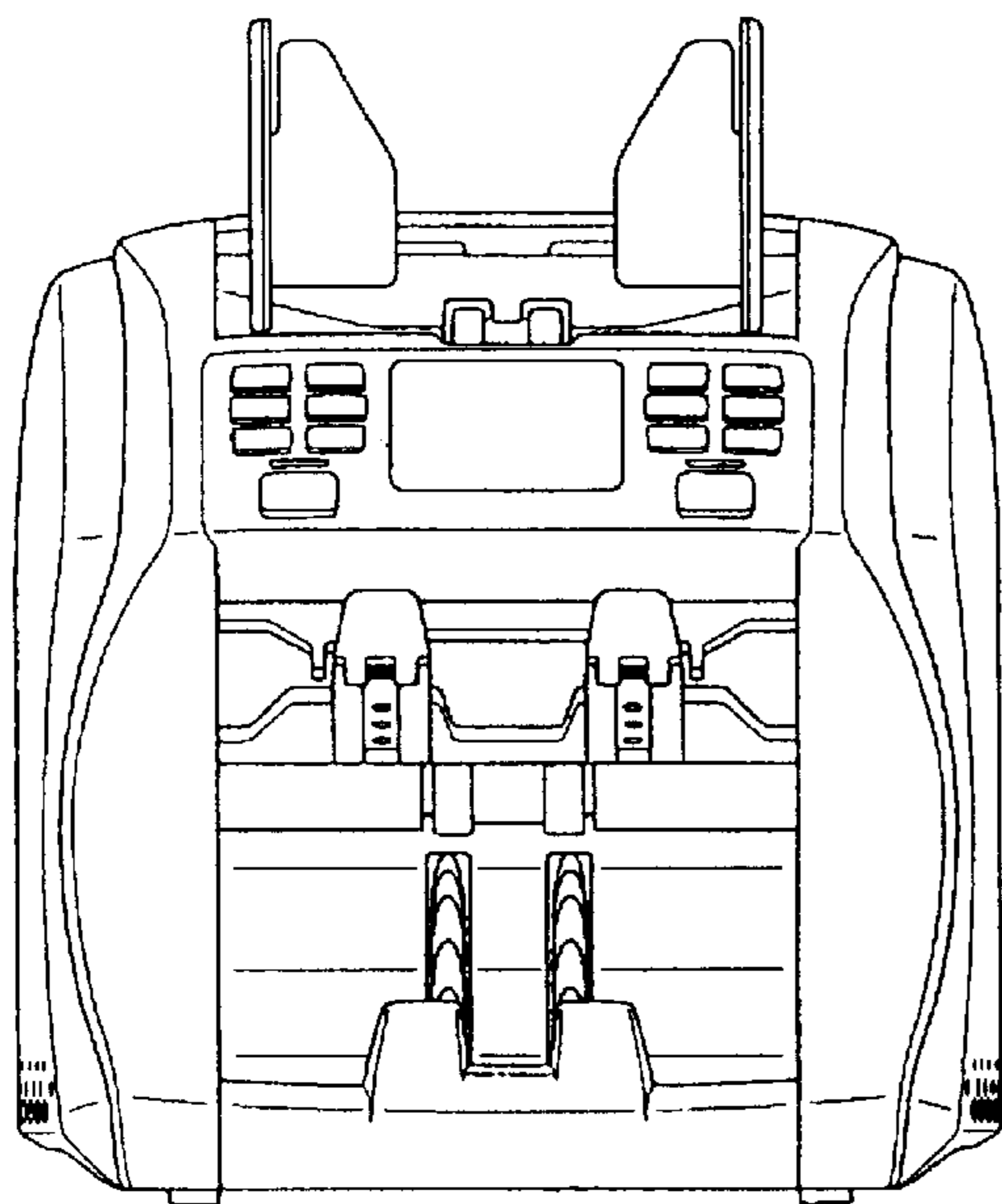


FIG. 4

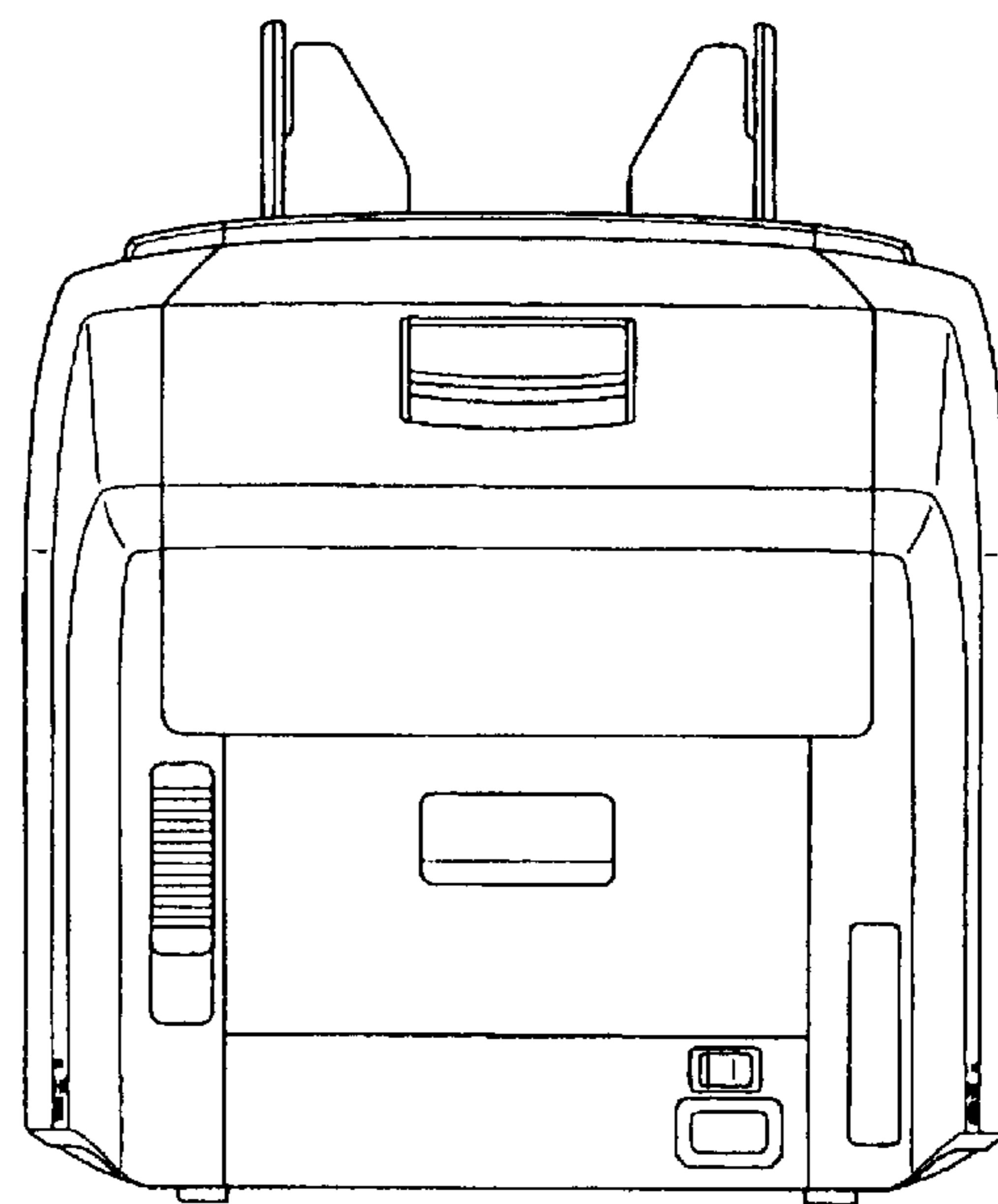


FIG. 5

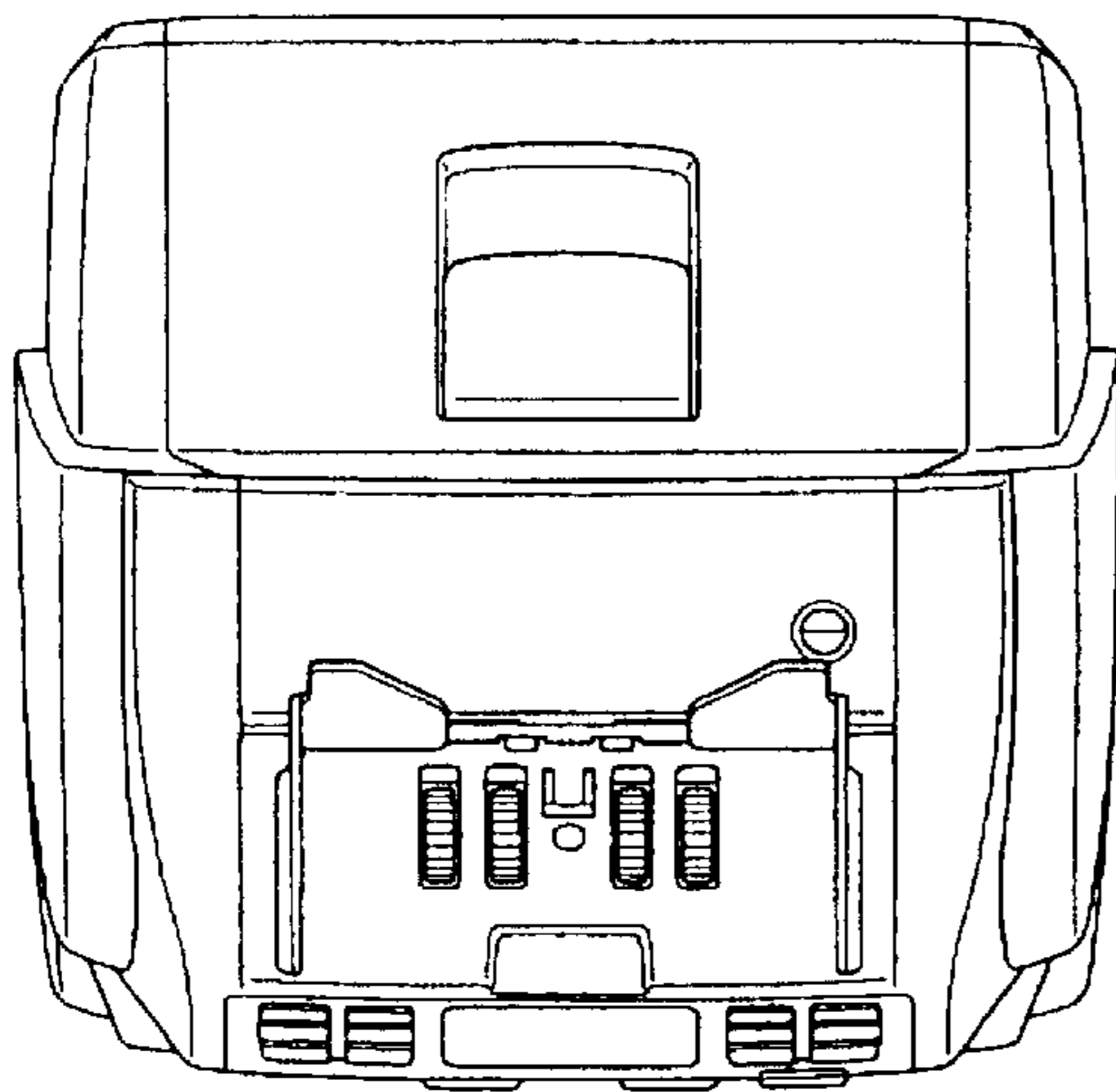


FIG. 6

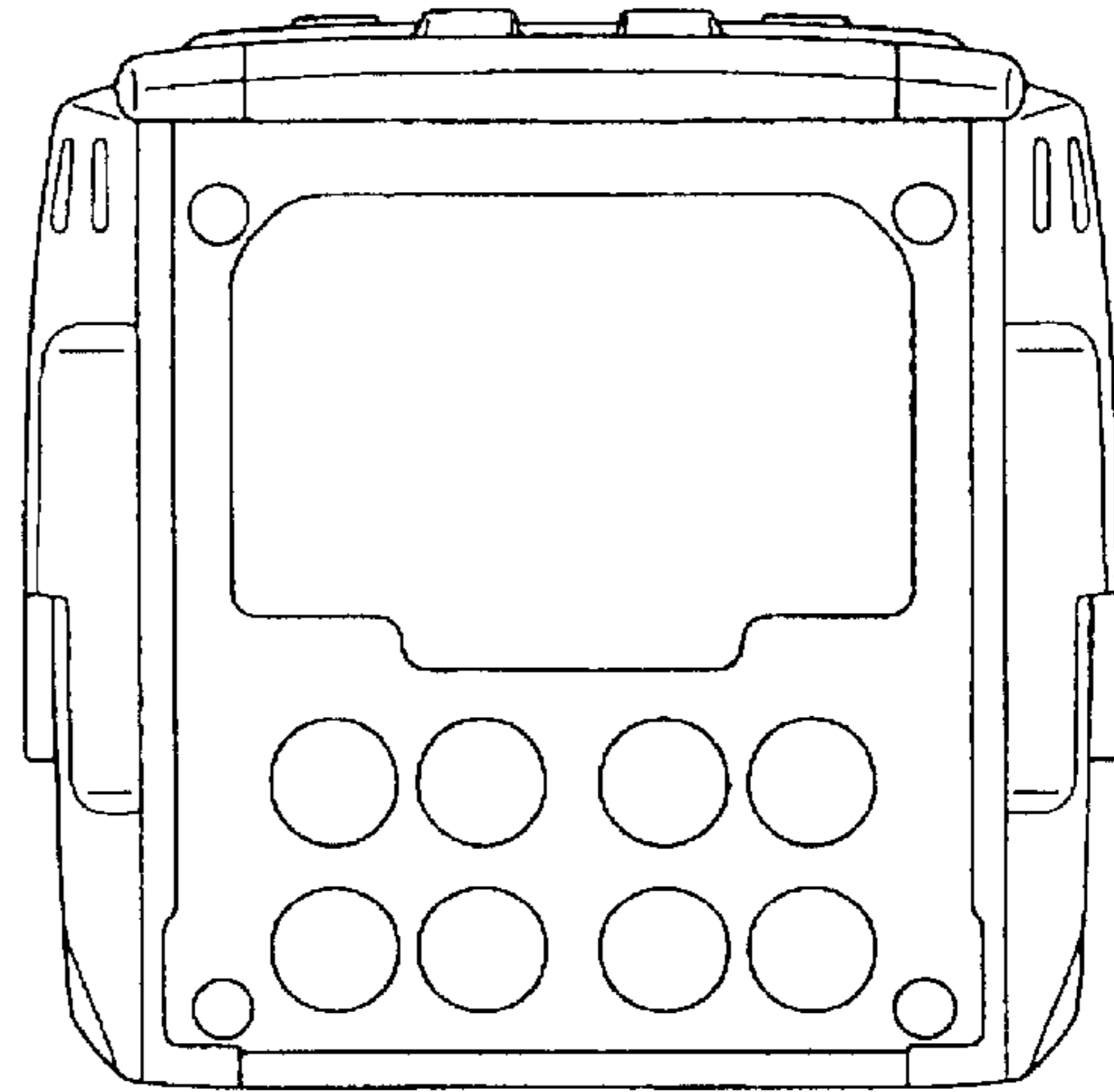


FIG. 7

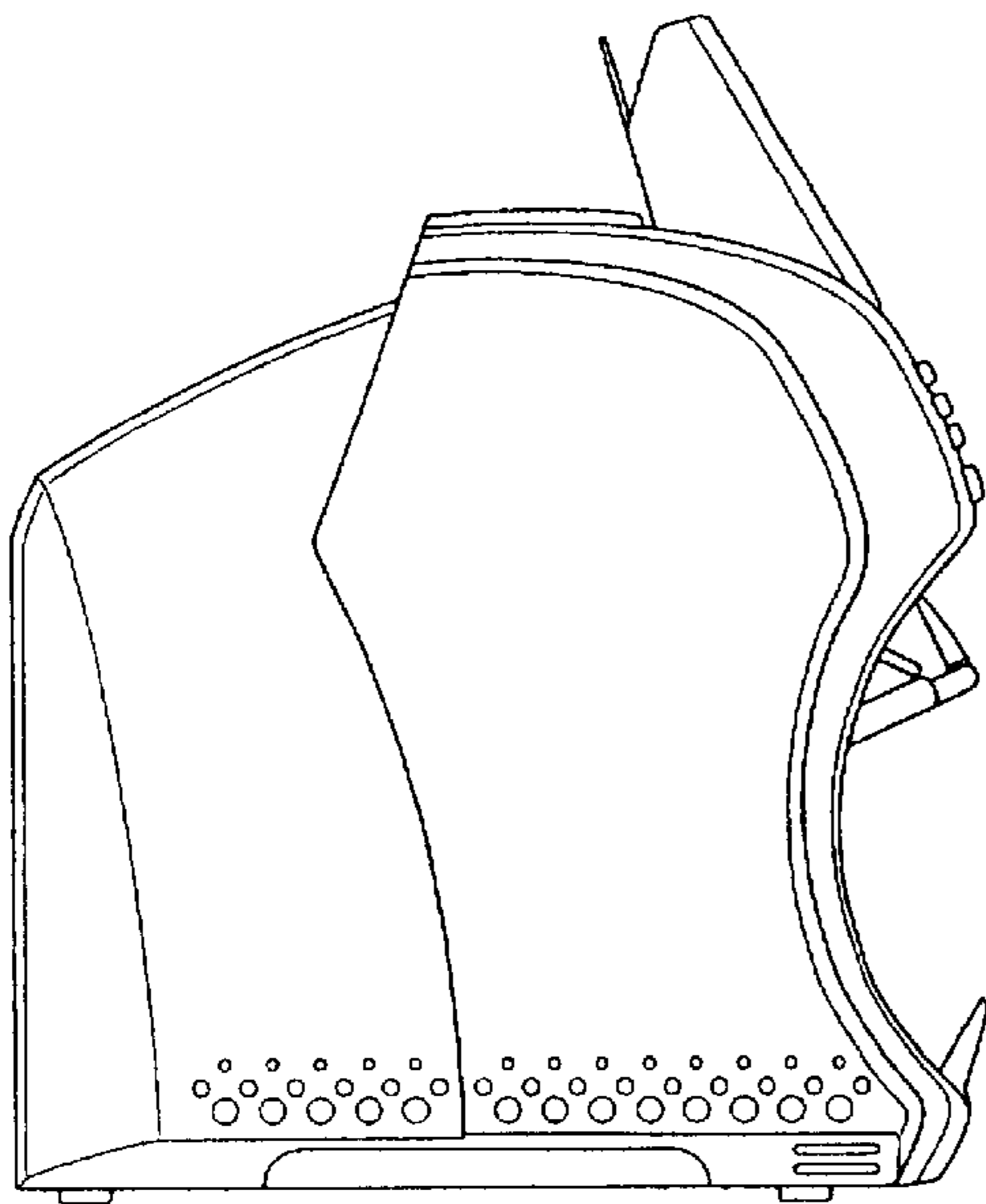


FIG. 8

