



US00D517112S

(12) **United States Design Patent**  
**Katayama**

(10) **Patent No.:** **US D517,112 S**  
(45) **Date of Patent:** **\*\* Mar. 14, 2006**

(54) **PRINTER**

(75) Inventor: **Noriko Katayama, Tokyo (JP)**

(73) Assignee: **Fuji Photo Film Co., Ltd., Kanagawa (JP)**

(\*\*) Term: **14 Years**

(21) Appl. No.: **29/220,714**

(22) Filed: **Jan. 6, 2005**

(30) **Foreign Application Priority Data**

Jul. 7, 2004 (JP) ..... 2004-020514

(51) **LOC (8) Cl.** ..... **16-05**

(52) **U.S. Cl.** ..... **D16/237; D18/50**

(58) **Field of Classification Search** ..... D16/200,  
D16/202, 203, 208, 213, 237, 248; D18/36,  
D18/50; 348/207.2, 373-375; 400/692, 693;  
396/544

See application file for complete search history.

(56) **References Cited**

**U.S. PATENT DOCUMENTS**

D317,785 S \* 6/1991 Norris et al. .... D16/248  
D355,926 S \* 2/1995 Mouri et al. .... D18/50

D356,098 S \* 3/1995 Tamura ..... D16/202  
D379,826 S \* 6/1997 Portesi ..... D18/50  
D405,107 S \* 2/1999 Yokokawa ..... D18/50  
D470,164 S \* 2/2003 Obata ..... D16/237  
6,657,657 B1 \* 12/2003 Sato ..... 348/207.2  
D490,845 S \* 6/2004 Fukushima ..... D18/50

\* cited by examiner

*Primary Examiner*—Adir Aronovich

(74) *Attorney, Agent, or Firm*—Young & Thompson

(57) **CLAIM**

The ornamental design for a printer, as shown.

**DESCRIPTION**

FIG. 1 is a top, front and side perspective view of a printer showing my new design;

FIG. 2 is a front elevational view thereof;

FIG. 3 is a rear elevational view thereof;

FIG. 4 is a top plan view thereof;

FIG. 5 is a bottom plan view thereof;

FIG. 6 is a side elevational view thereof from the left of FIG. 2;

FIG. 7 is a side elevational view thereof from the right of FIG. 2; and,

FIG. 8 is a top, rear and side perspective view thereof.

**1 Claim, 4 Drawing Sheets**

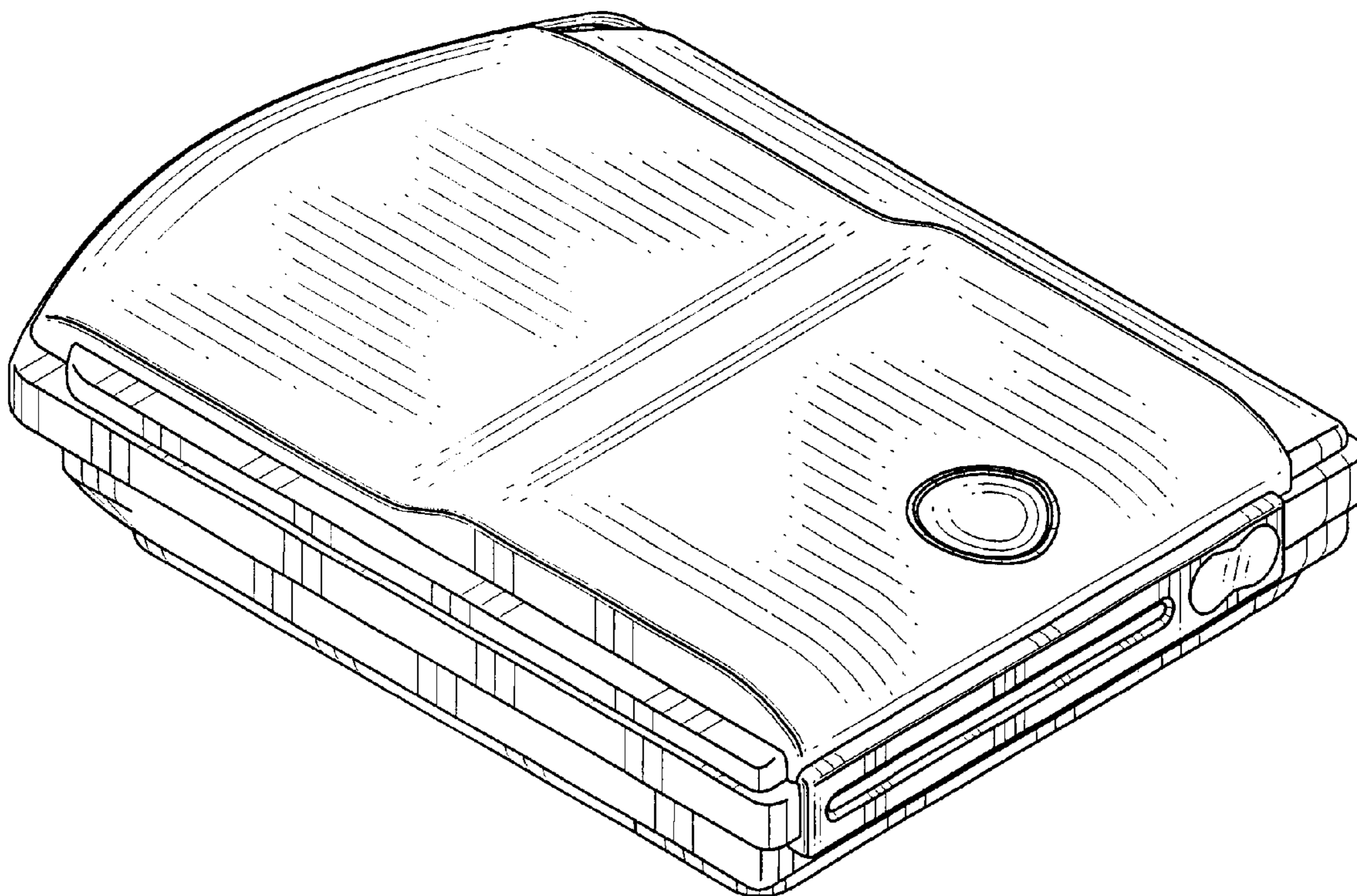


FIG. 1

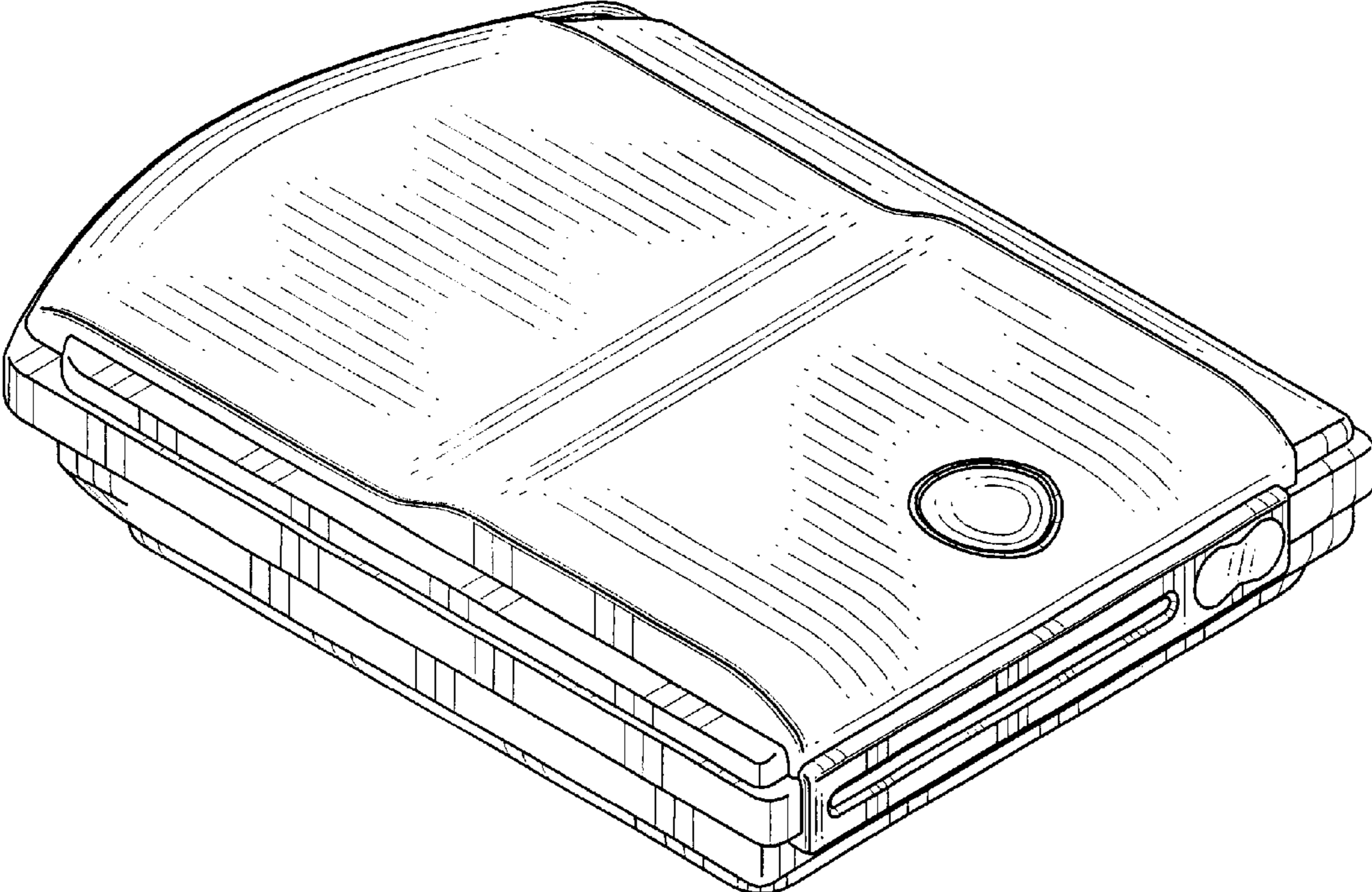


FIG. 2

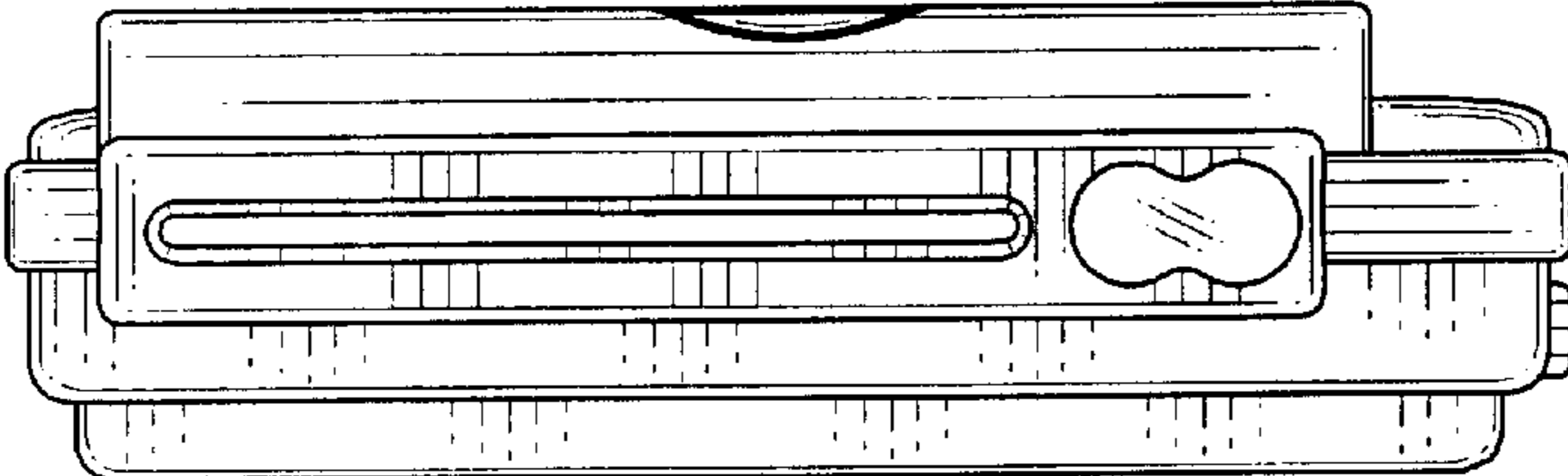


FIG.3

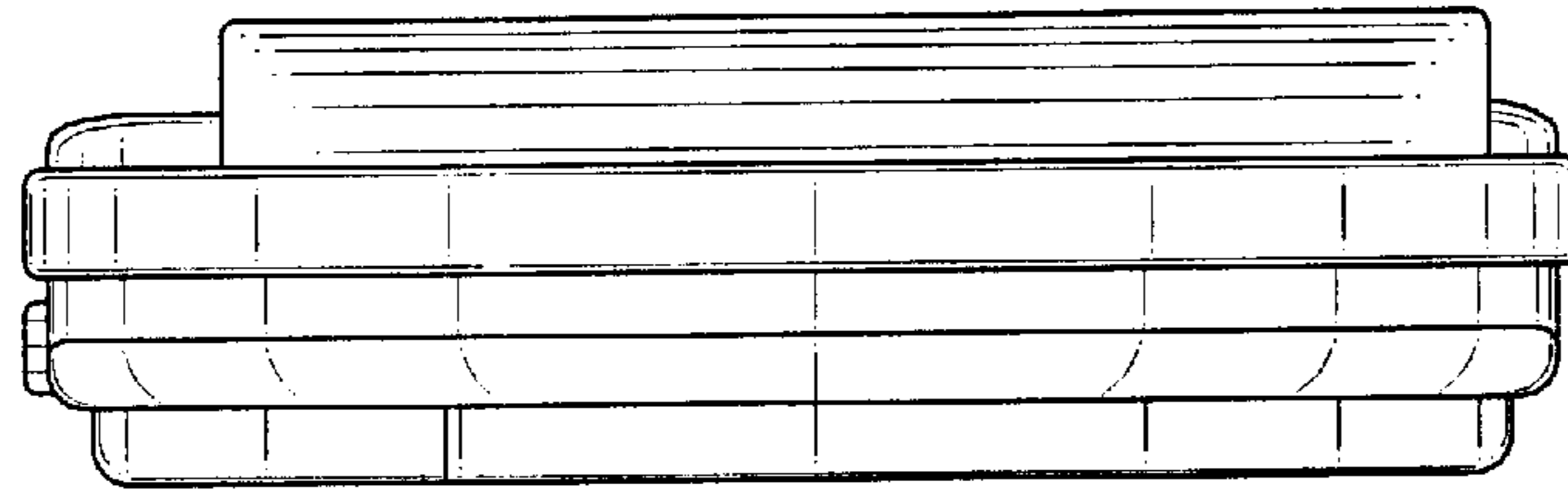


FIG.4

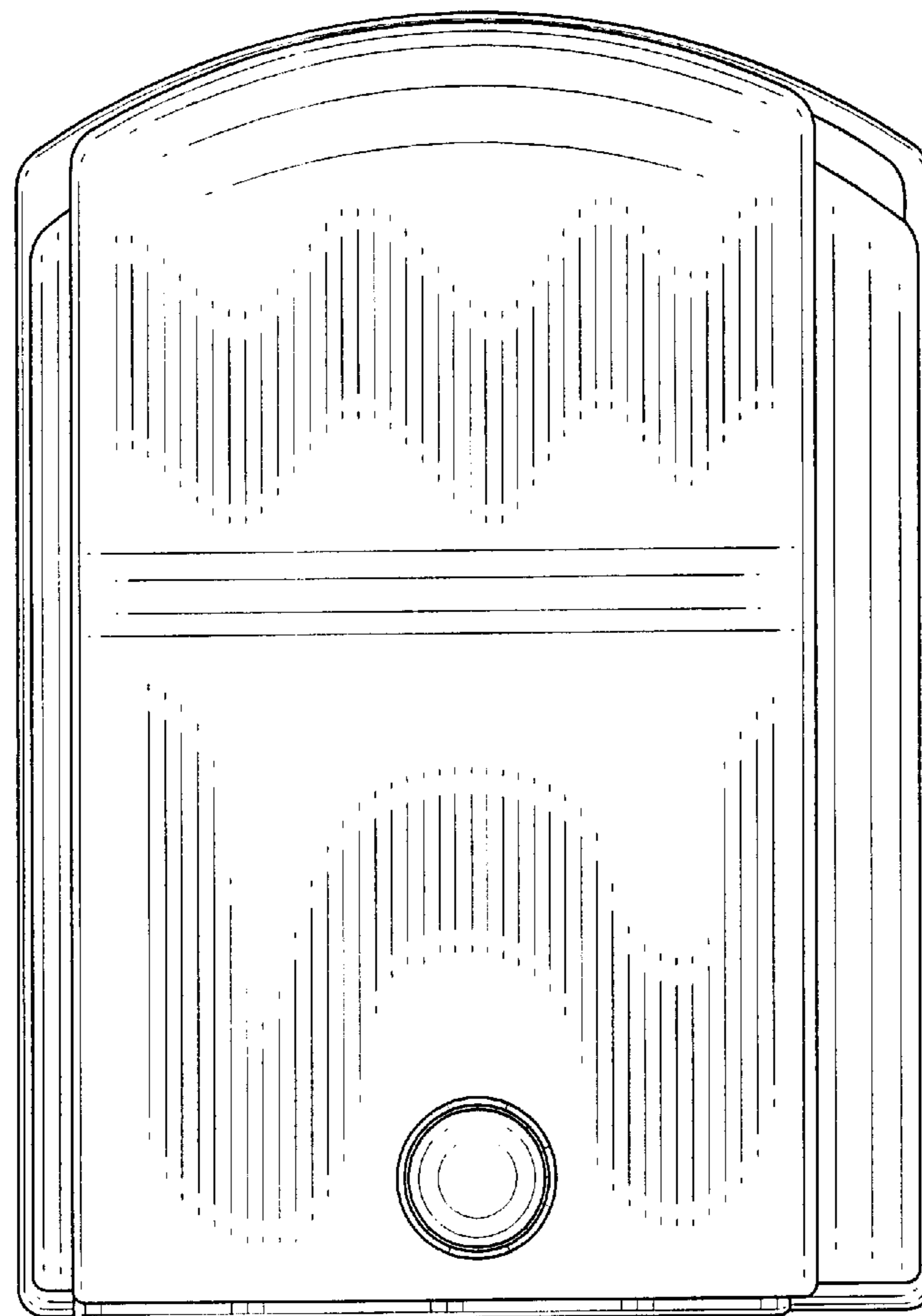


FIG.5

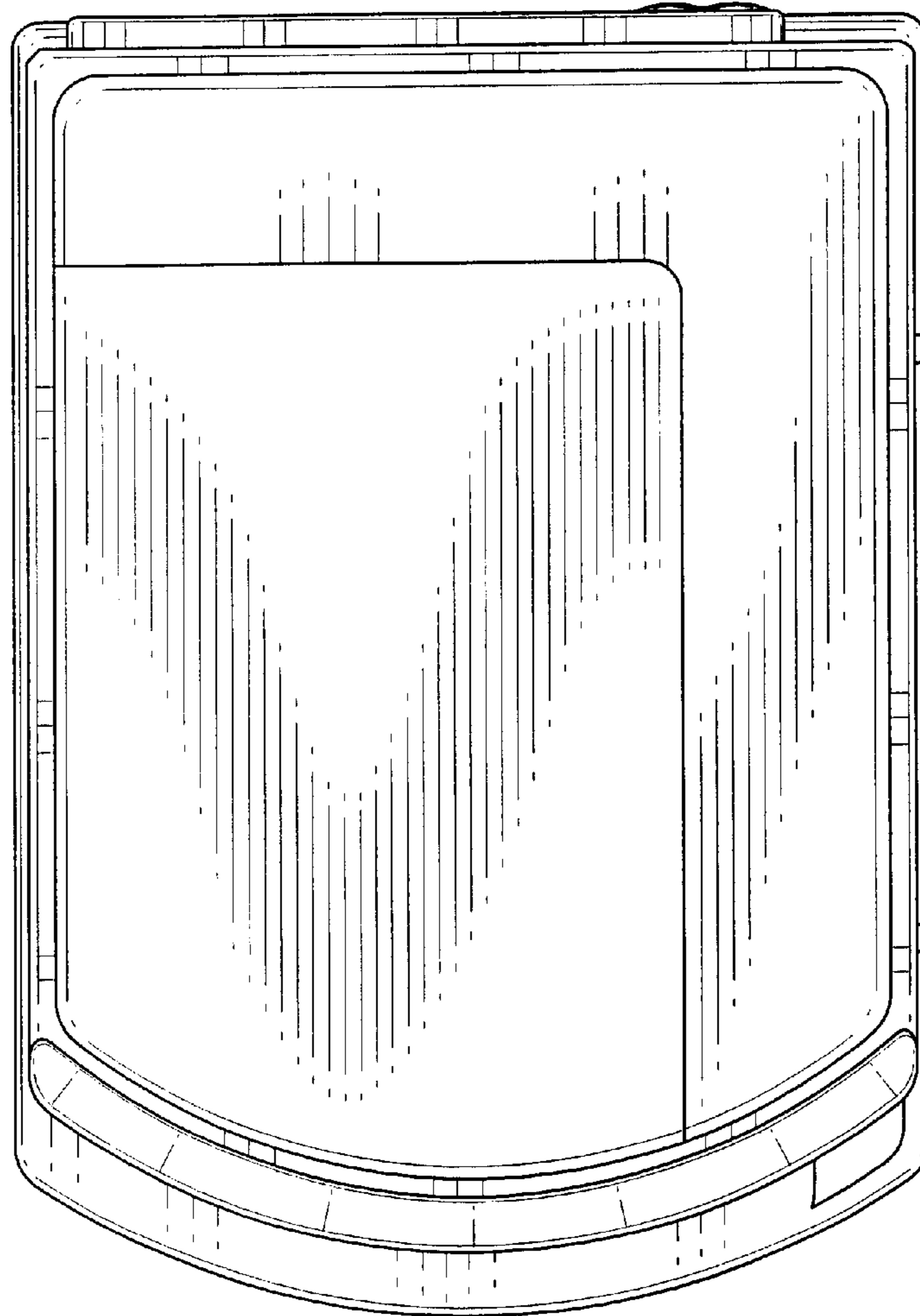


FIG.6

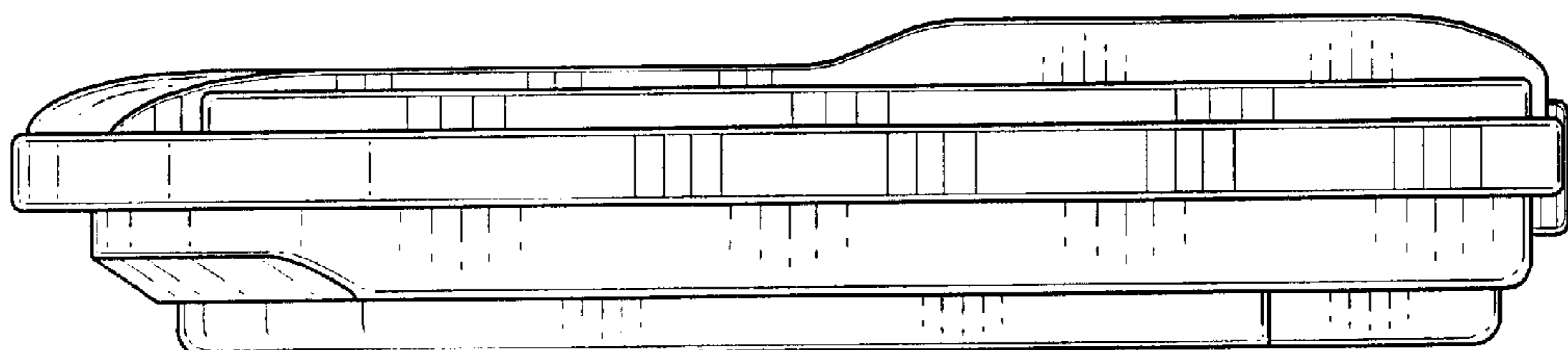


FIG. 7

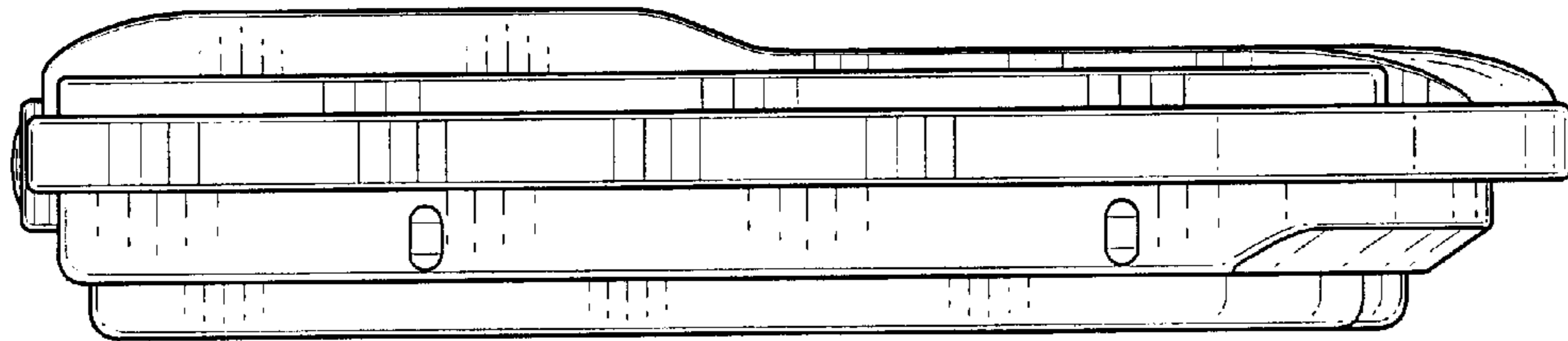


FIG. 8

