



US00D517110S

(12) **United States Design Patent**
Tanaka

(10) **Patent No.:** **US D517,110 S**
(45) **Date of Patent:** **** Mar. 14, 2006**

(54) **PRINTER**

(75) Inventor: **Hiroaki Tanaka**, Tokyo (JP)

(73) Assignee: **Fuji Photo Film Co., Ltd.**, Kanagawa (JP)

(**) Term: **14 Years**

(21) Appl. No.: **29/209,719**

(22) Filed: **Jul. 21, 2004**

(30) **Foreign Application Priority Data**

Apr. 1, 2004 (JP) 2004-010125

(51) **LOC (8) Cl.** **16-05**

(52) **U.S. Cl.** **D16/237; D18/50**

(58) **Field of Classification Search** D16/200,
D16/208, 237, 248; D18/36, 50; 348/207.2,
348/373-375; 396/544; 400/692, 693

See application file for complete search history.

(56) **References Cited**

U.S. PATENT DOCUMENTS

D210,325 S	*	2/1968	Delp et al.	D18/36
4,937,676 A	*	6/1990	Finelli et al.	348/375
D317,785 S	*	6/1991	Norris et al.	D16/248
D339,156 S	*	9/1993	Sato et al.	D18/50
5,847,836 A	*	12/1998	Suzuki	358/296
5,946,031 A	*	8/1999	Douglas	348/373
D418,157 S	*	12/1999	Han	D18/50
D470,164 S	*	2/2003	Obata	D16/237
D490,845 S	*	6/2004	Fukushima	D18/50

* cited by examiner

Primary Examiner—Adir Aronovich

(74) *Attorney, Agent, or Firm*—Young & Thompson

(57) **CLAIM**

The ornamental design for a printer, as shown and described.

DESCRIPTION

FIG. 1 is a top, front and side perspective view of a printer showing my new design;

FIG. 2 is a front elevational view thereof;

FIG. 3 is a rear elevational view thereof;

FIG. 4 is a top plan view thereof;

FIG. 5 is a bottom plan view thereof;

FIG. 6 is a side elevational view thereof from the left of FIG. 2;

FIG. 7 is a side elevational view thereof from the right of FIG. 2;

FIG. 8 is a view similar to FIG. 1, but with the parts in a different position;

FIG. 9 is a front elevational view thereof in the FIG. 8 position;

FIG. 10 is a rear elevational view thereof in the FIG. 8 position;

FIG. 11 is a top plan view thereof in the FIG. 8 position;

FIG. 12 is a bottom plan view thereof in the FIG. 8 position;

FIG. 13 is a side elevational view thereof from the left of FIG. 9; and,

FIG. 14 is a side elevational view thereof from the right of FIG. 9.

1 Claim, 7 Drawing Sheets

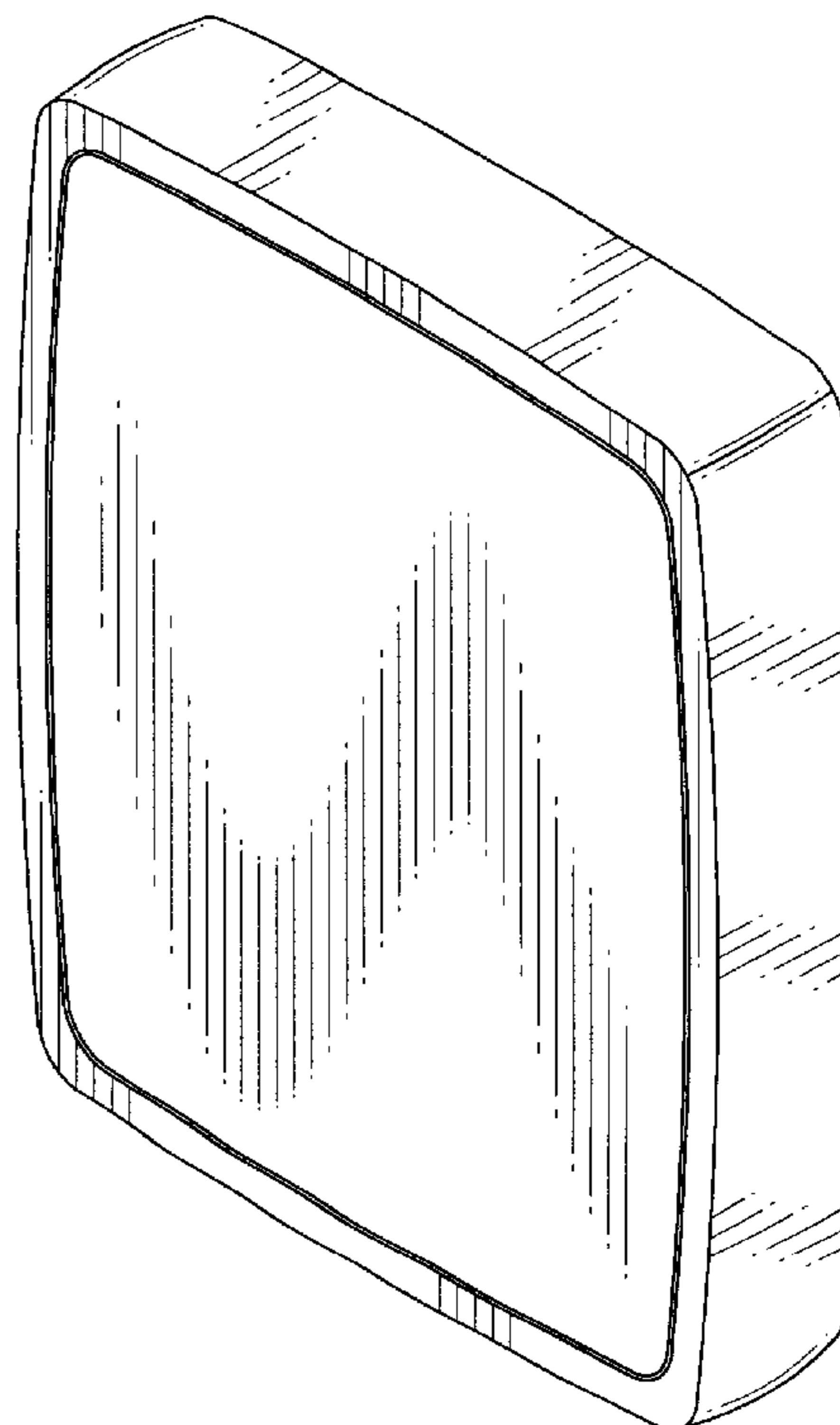
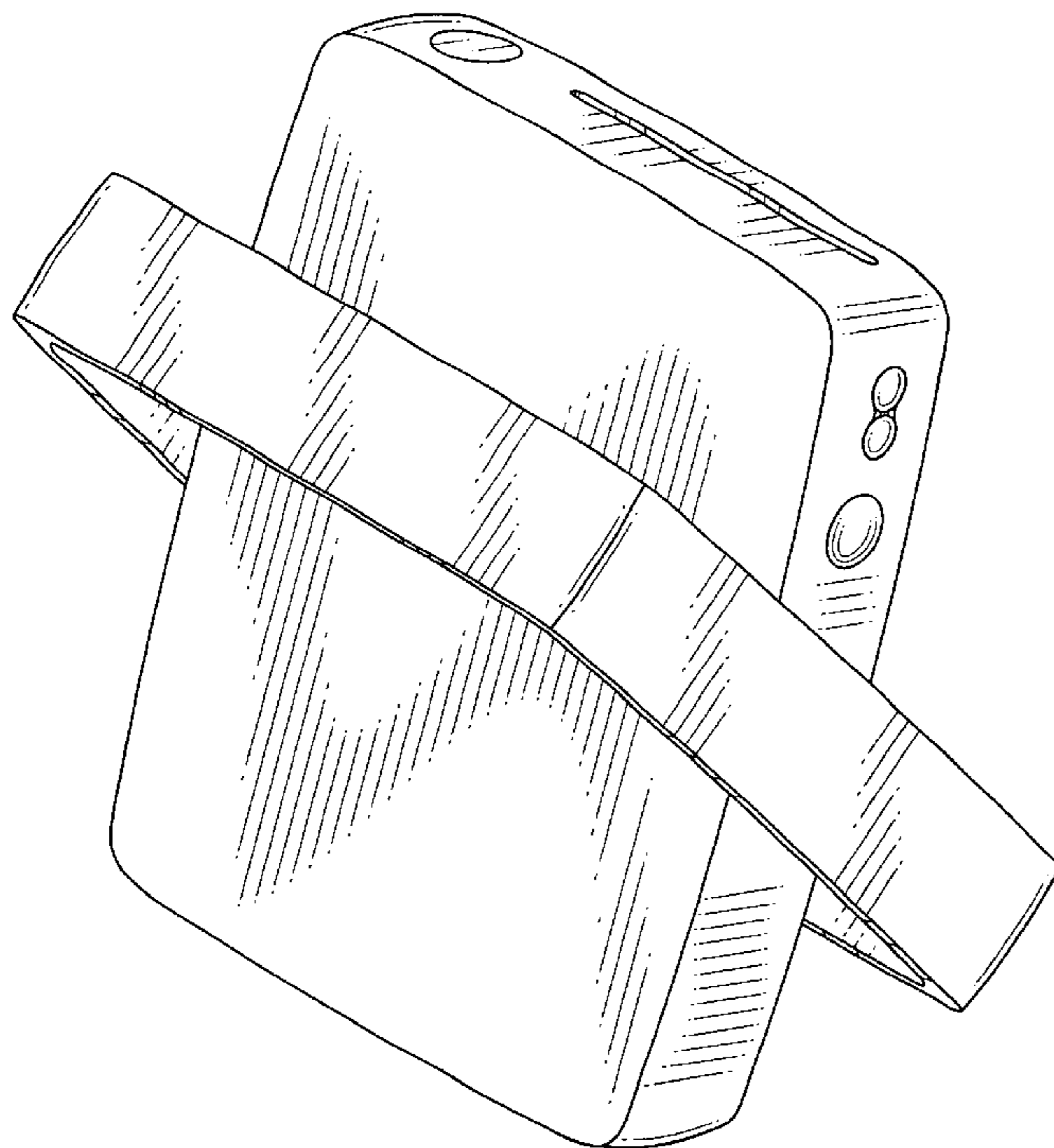


FIG. 1

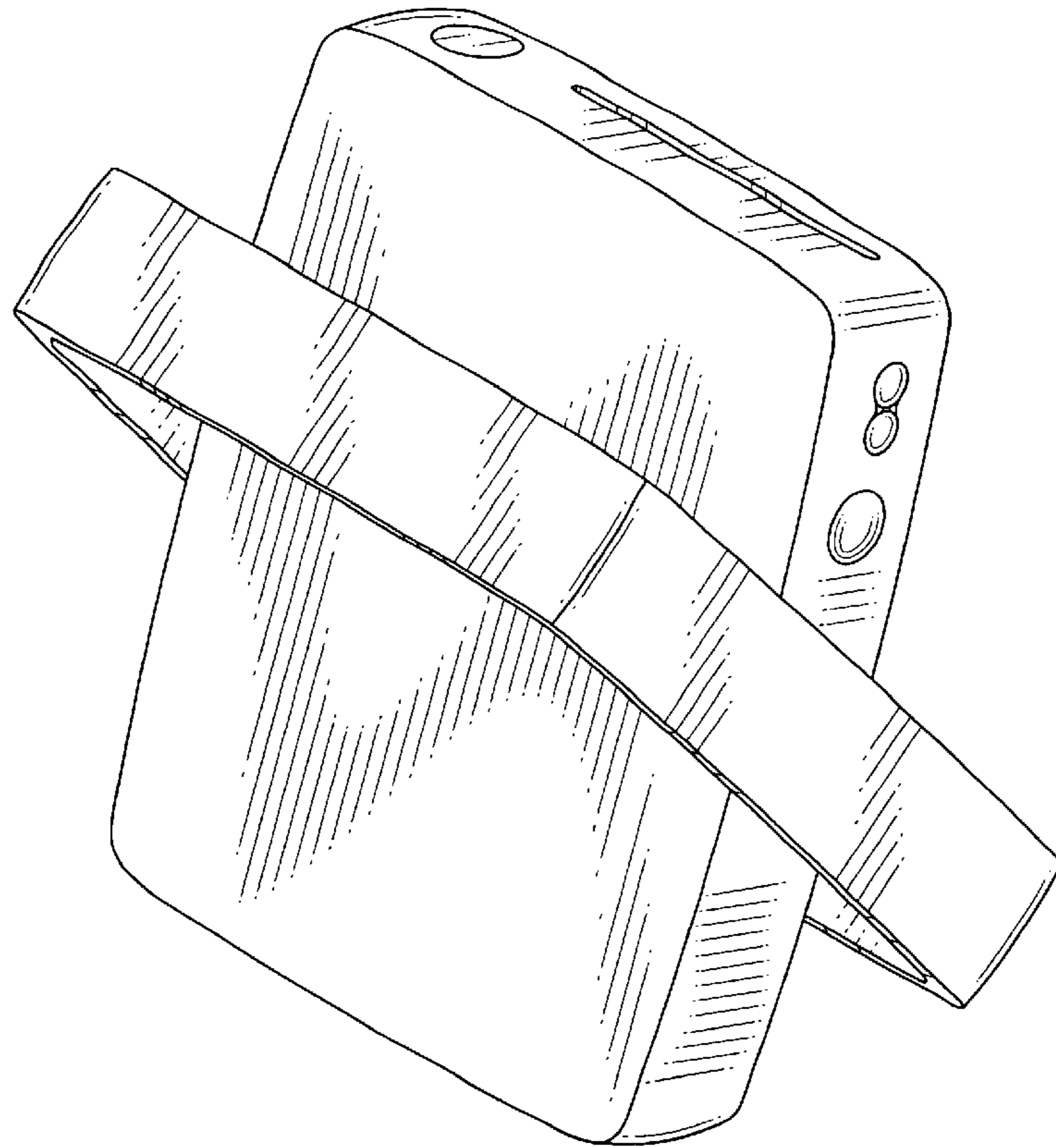


FIG. 2

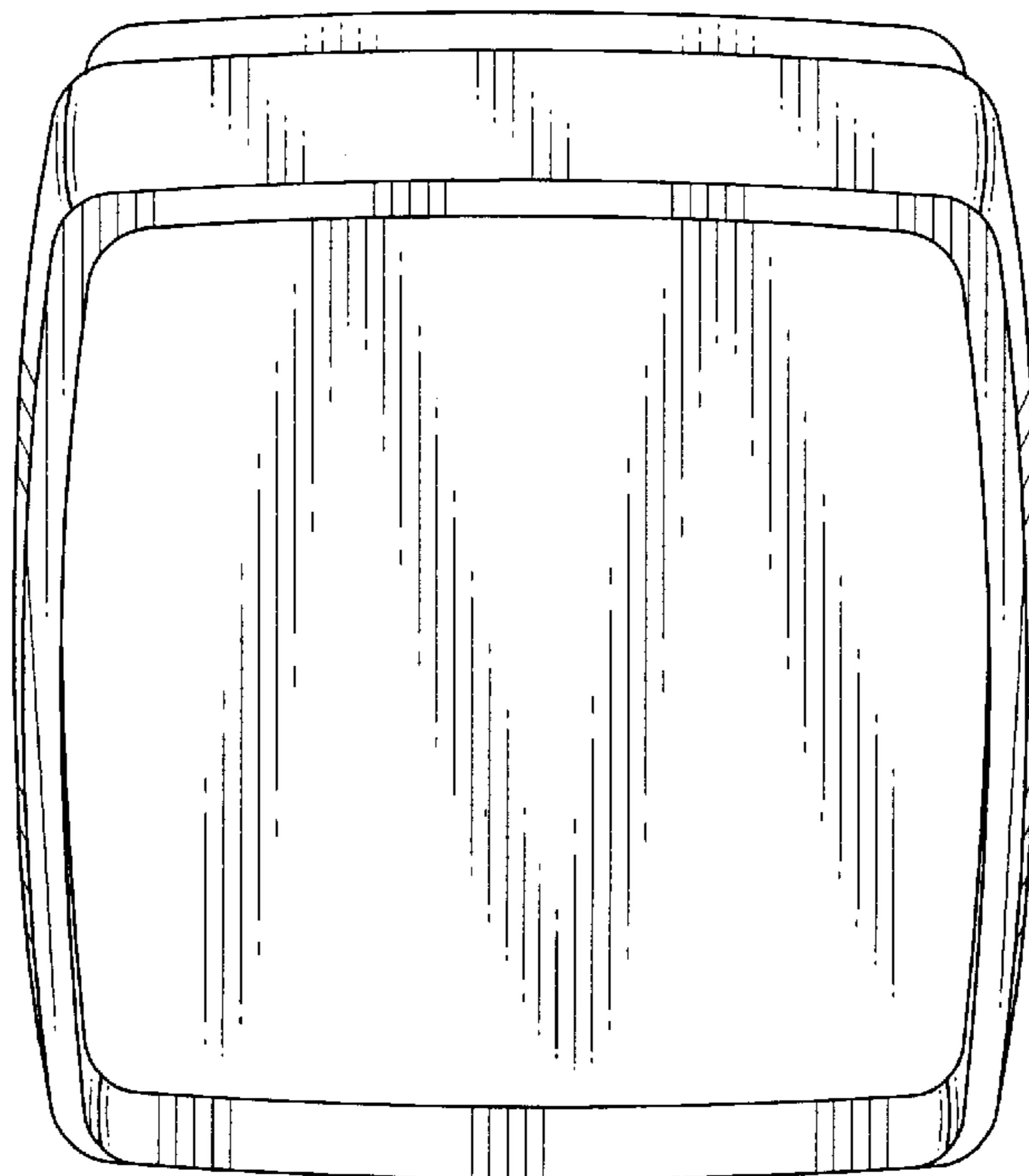


FIG.3

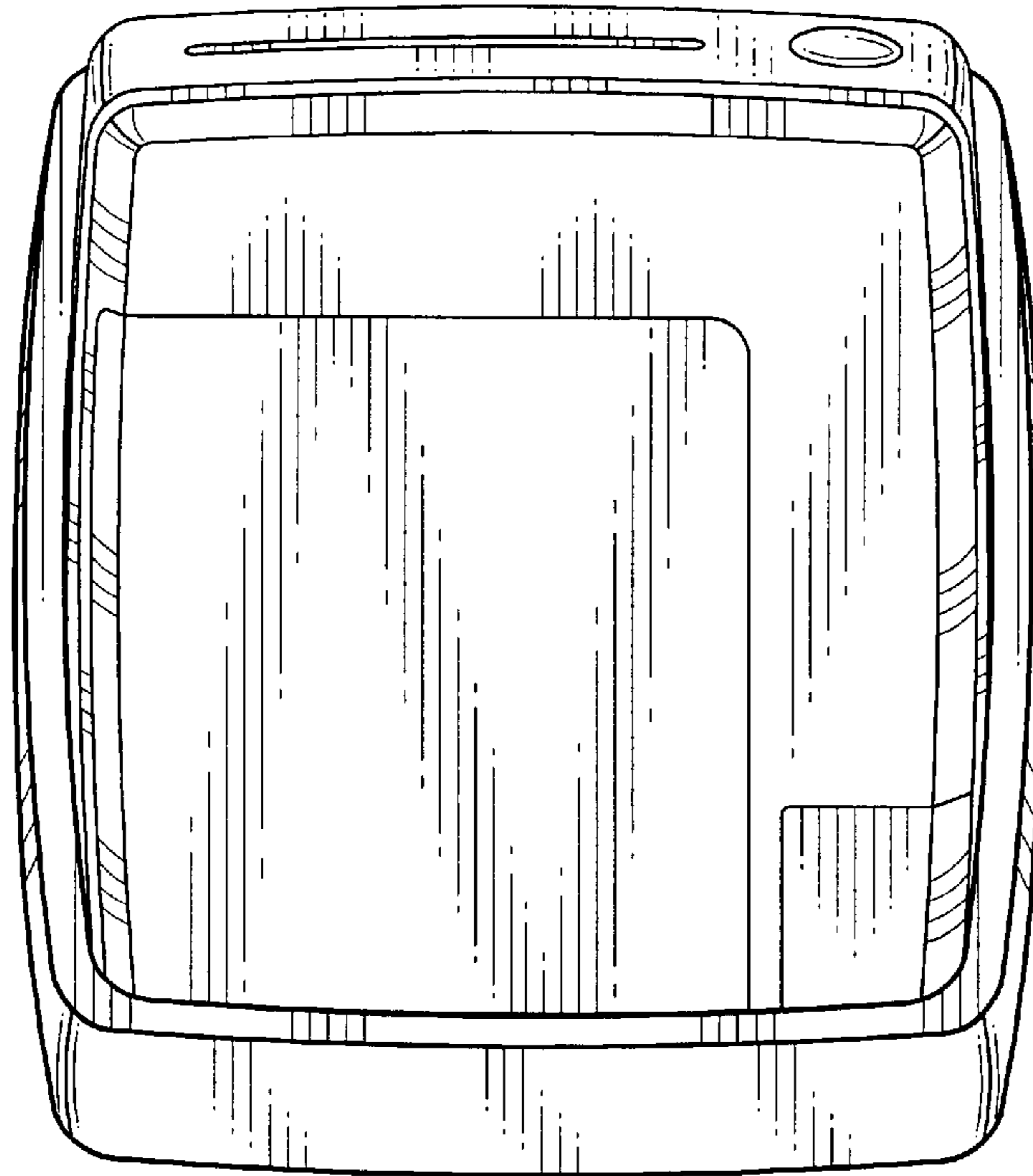


FIG.4

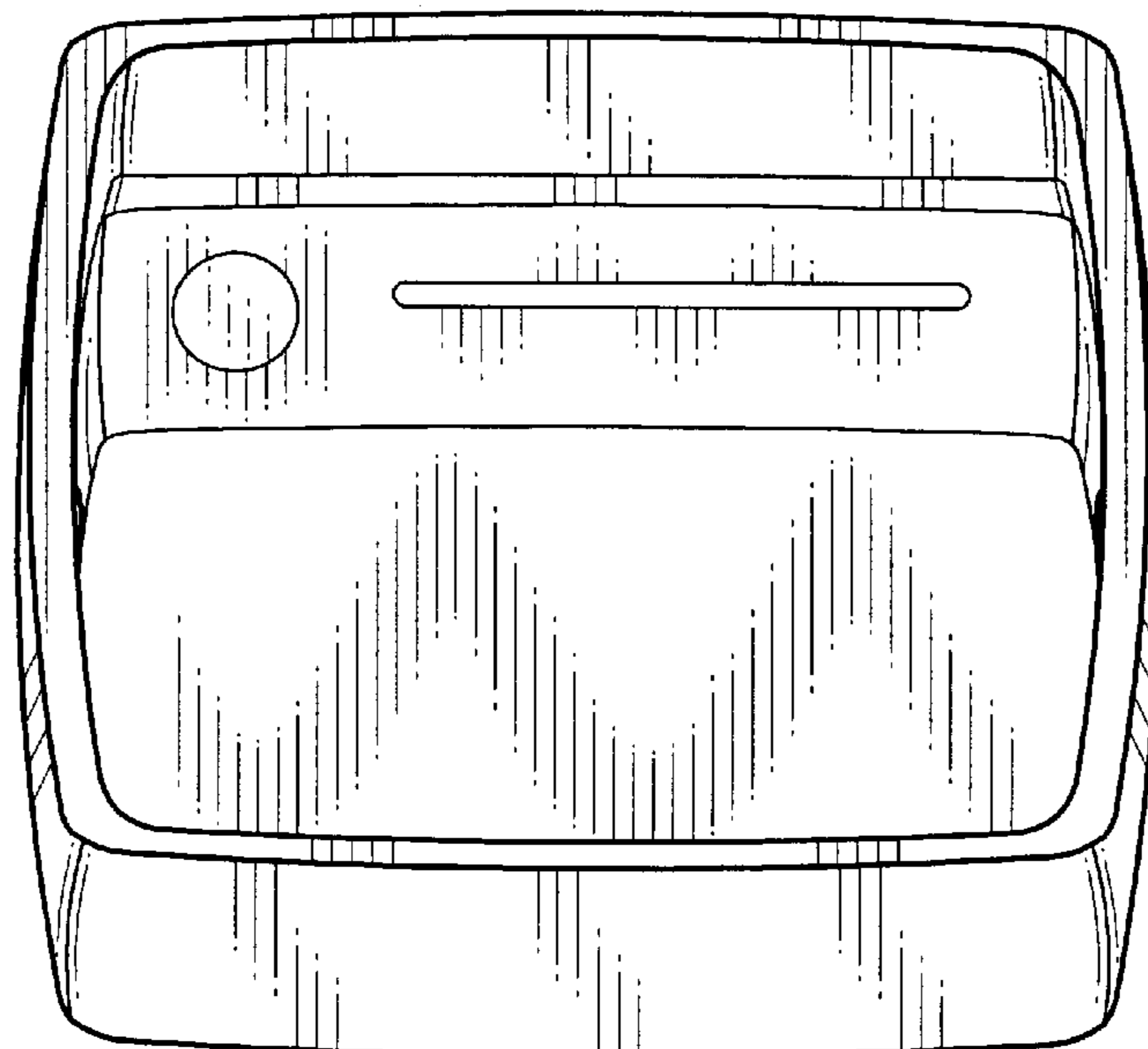


FIG.5

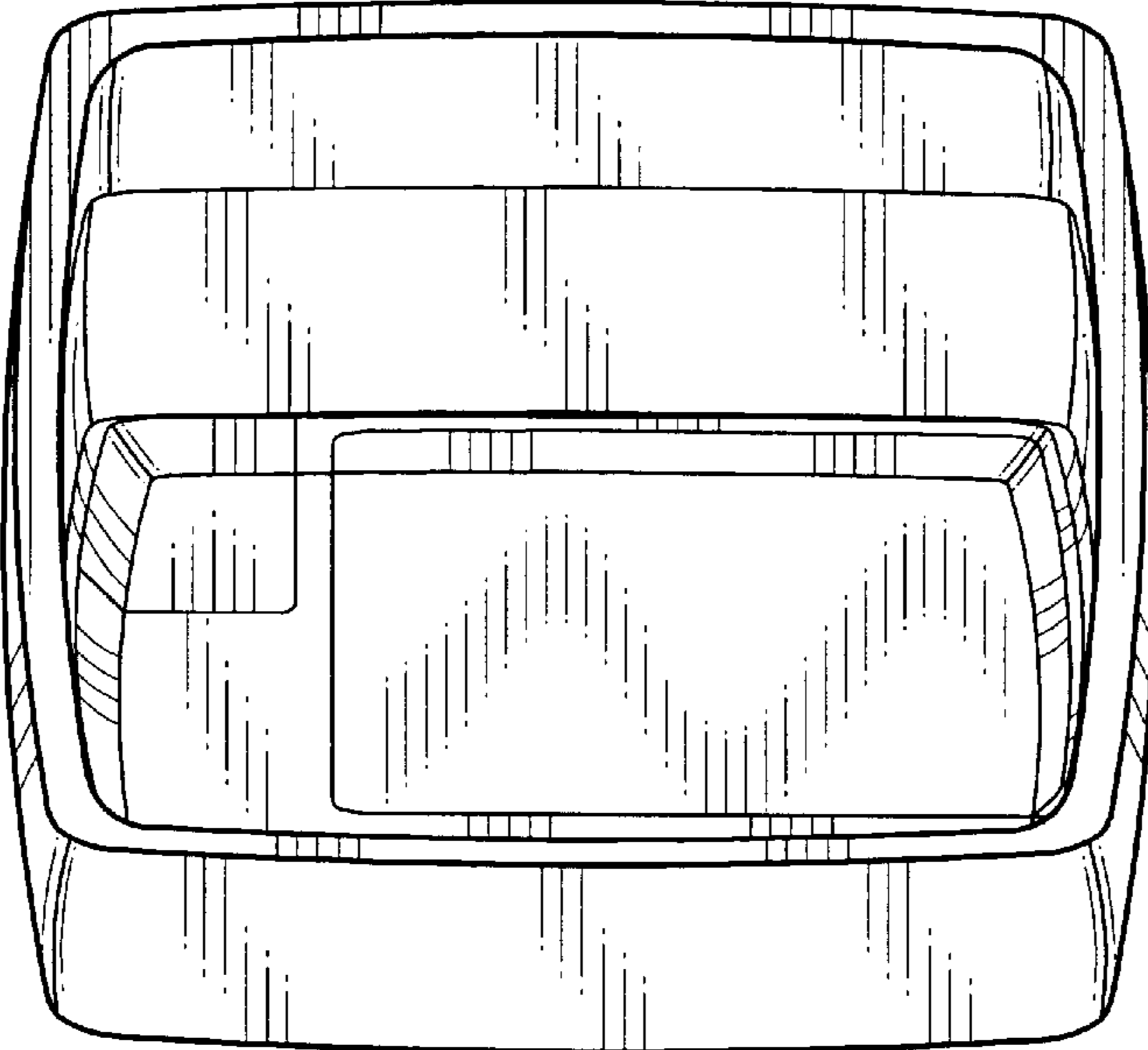


FIG.6

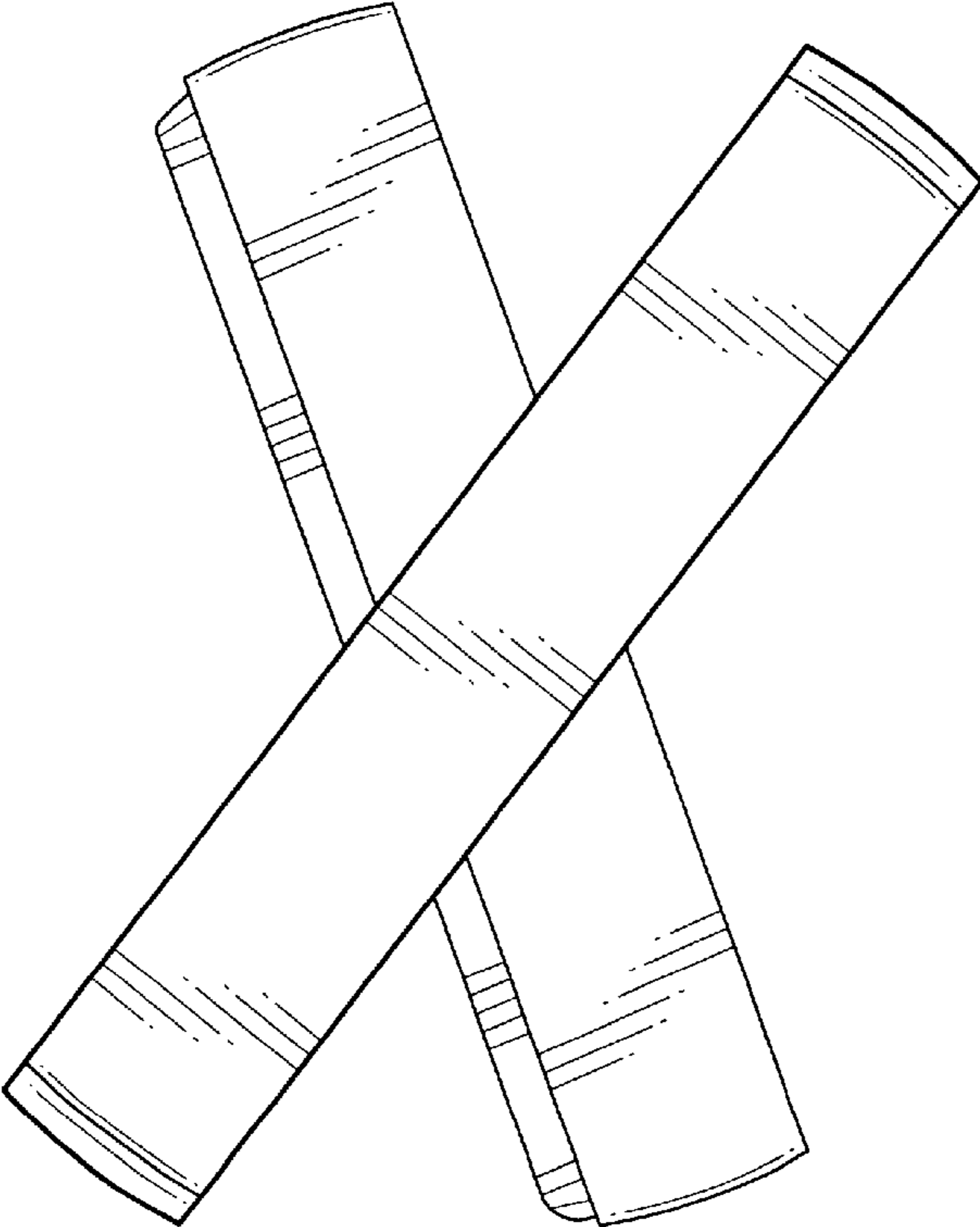


FIG.7

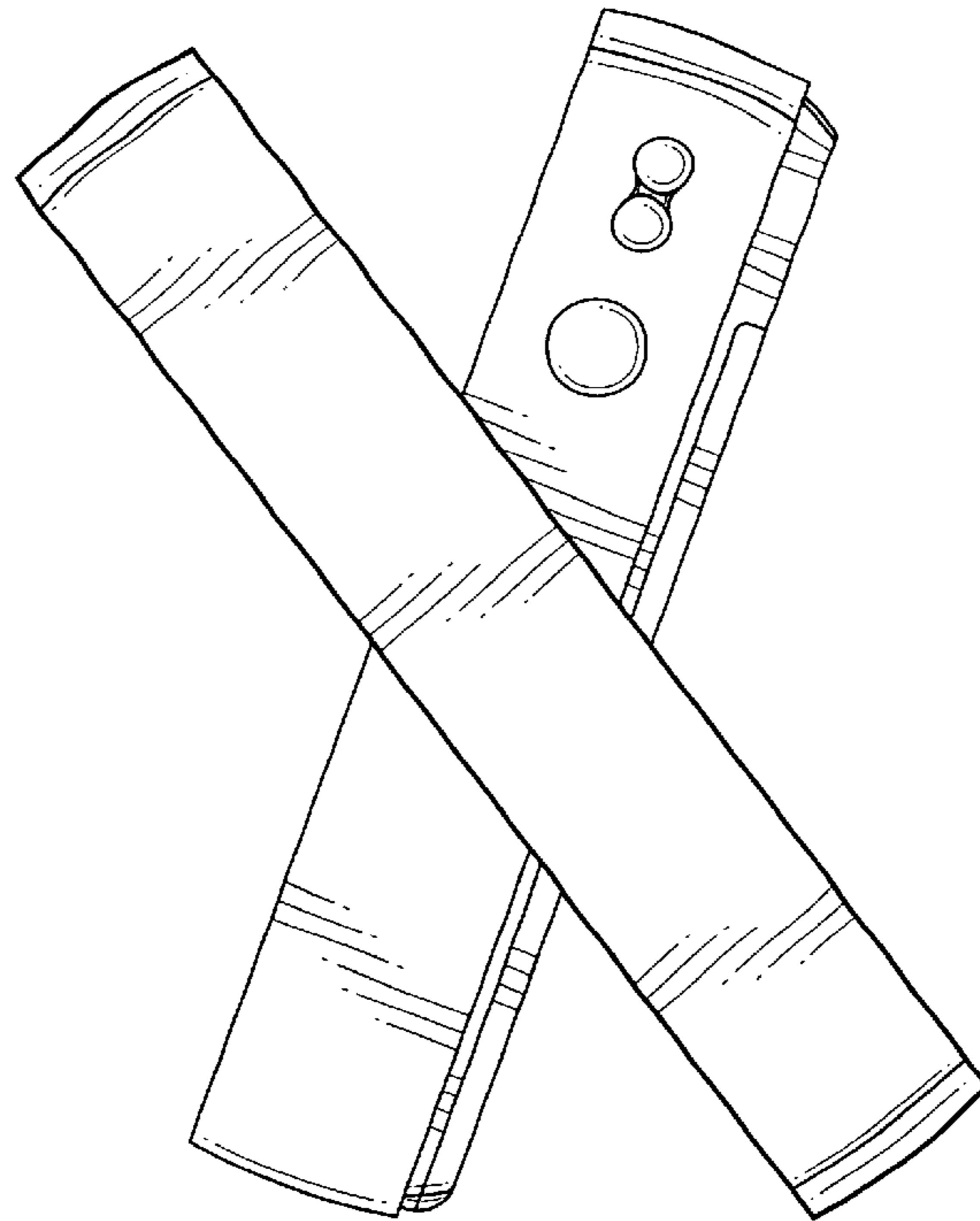


FIG.8

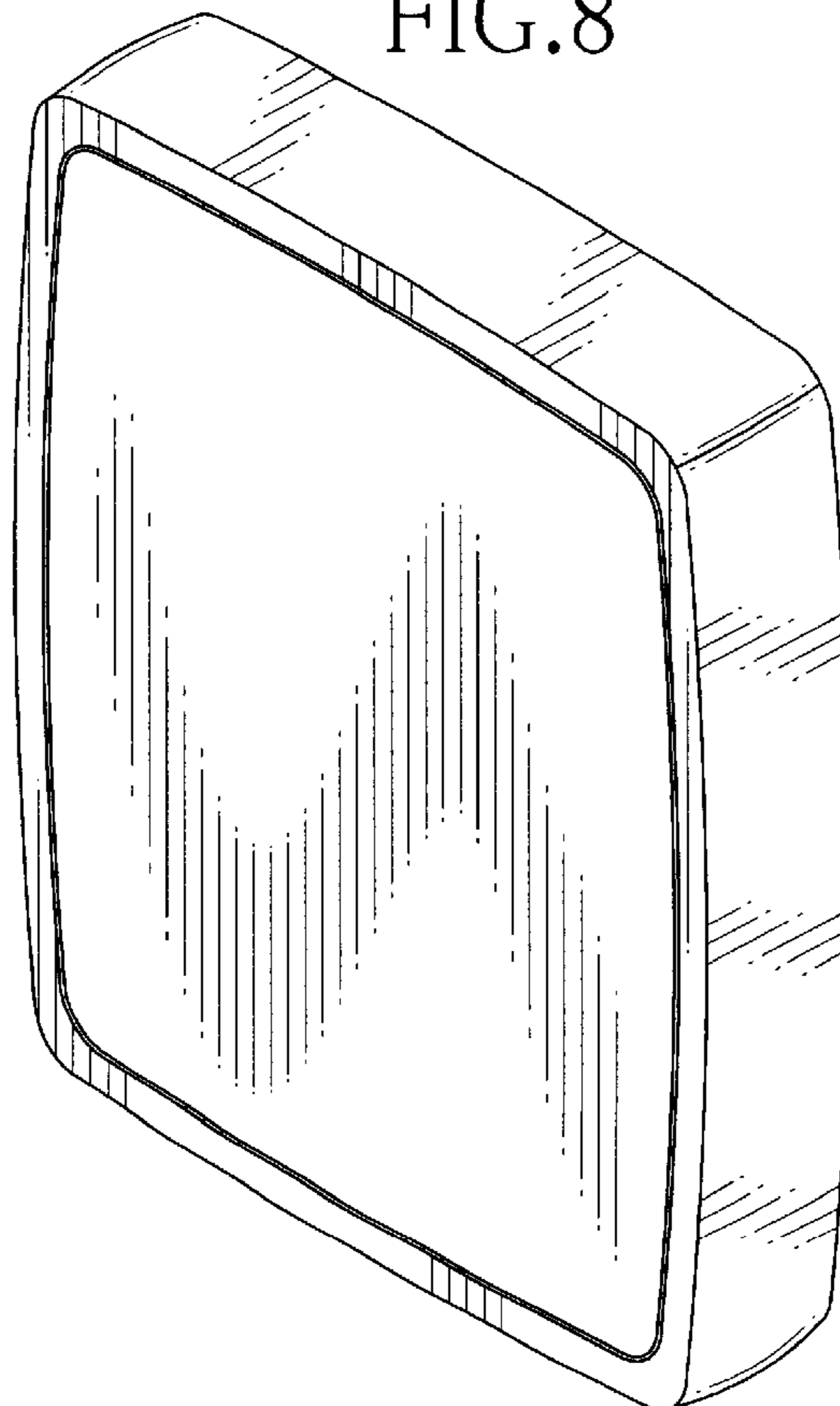


FIG.9

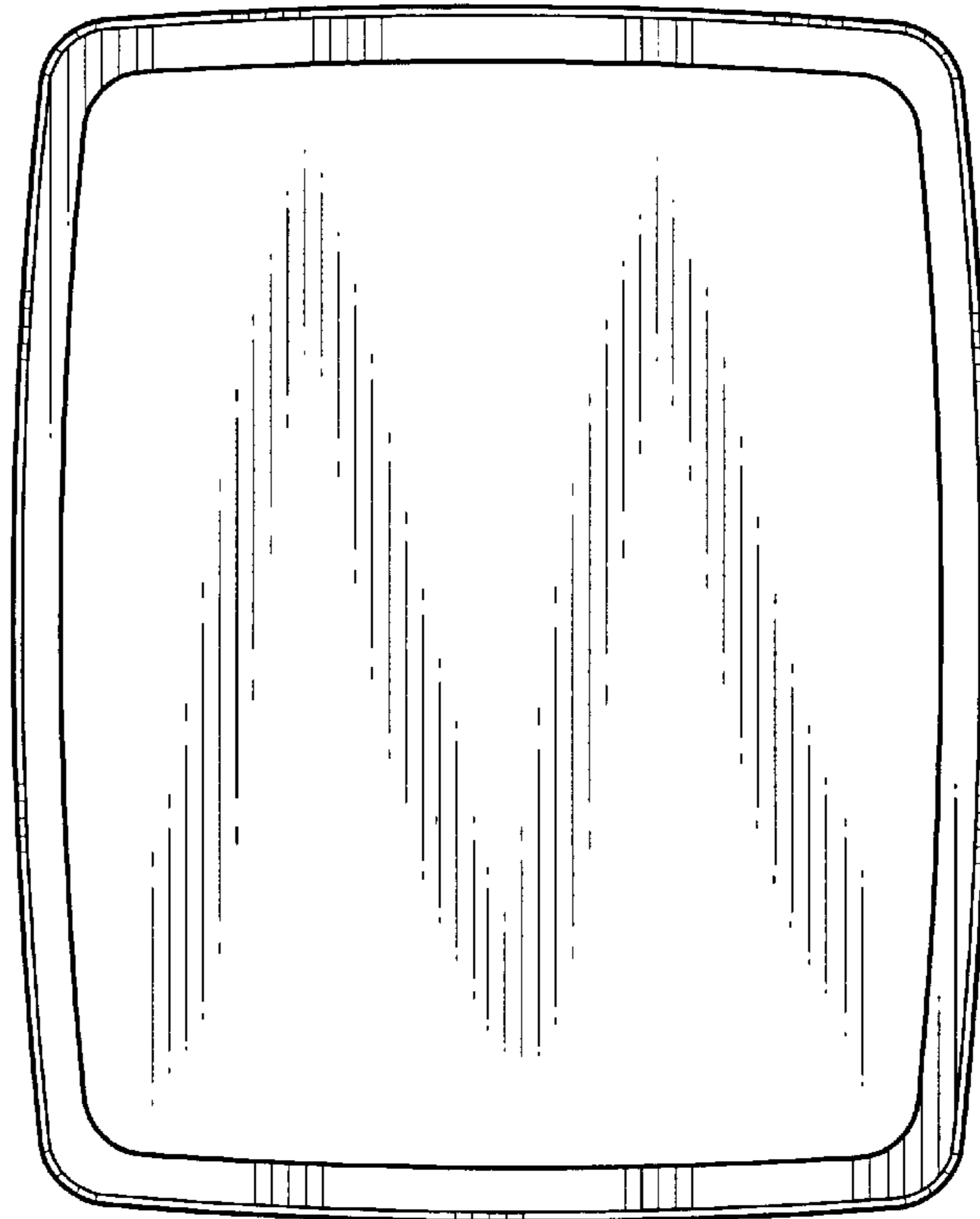


FIG.10

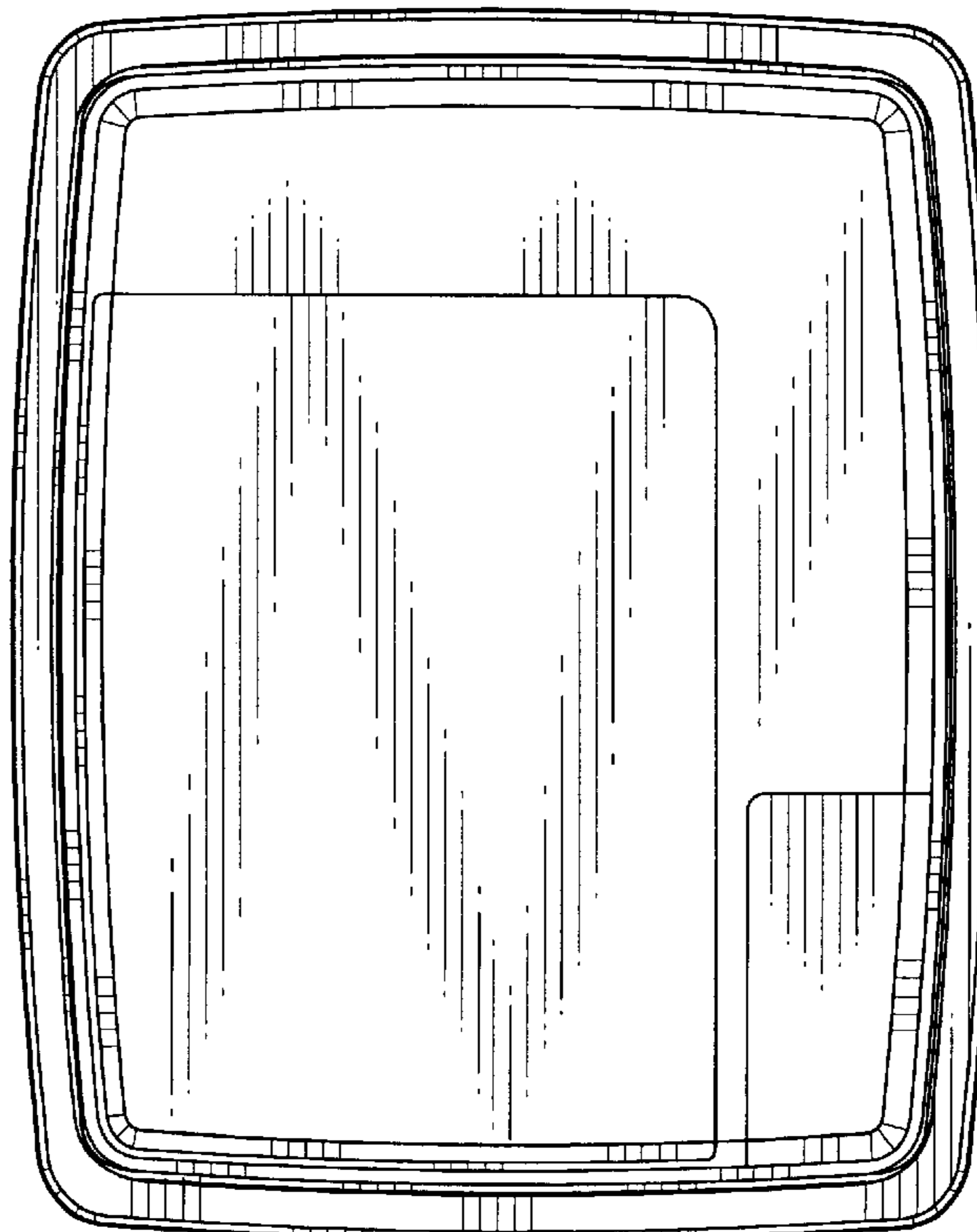


FIG.11

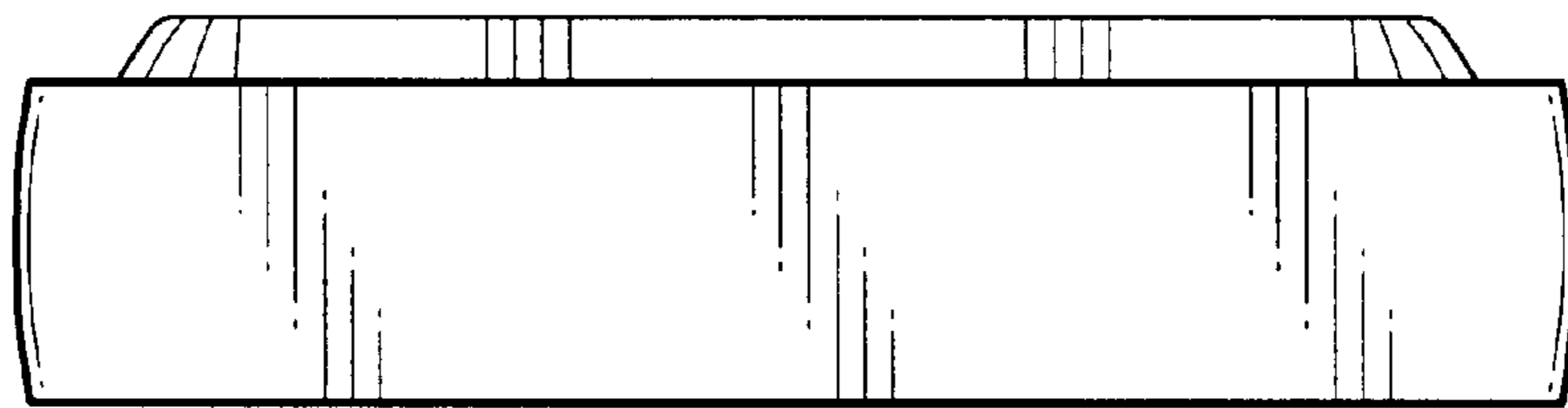


FIG.12

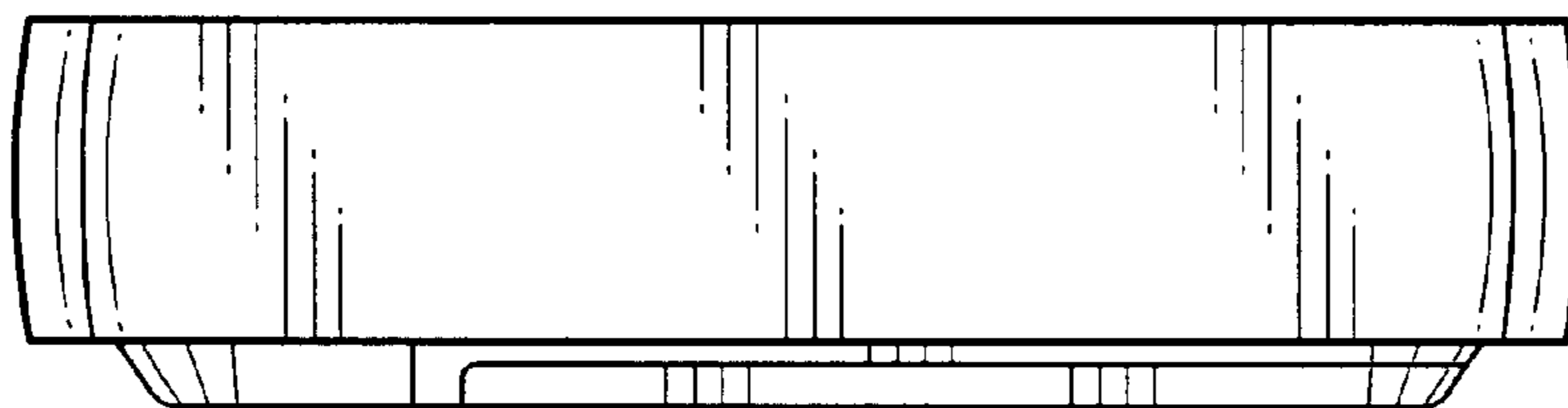


FIG.13

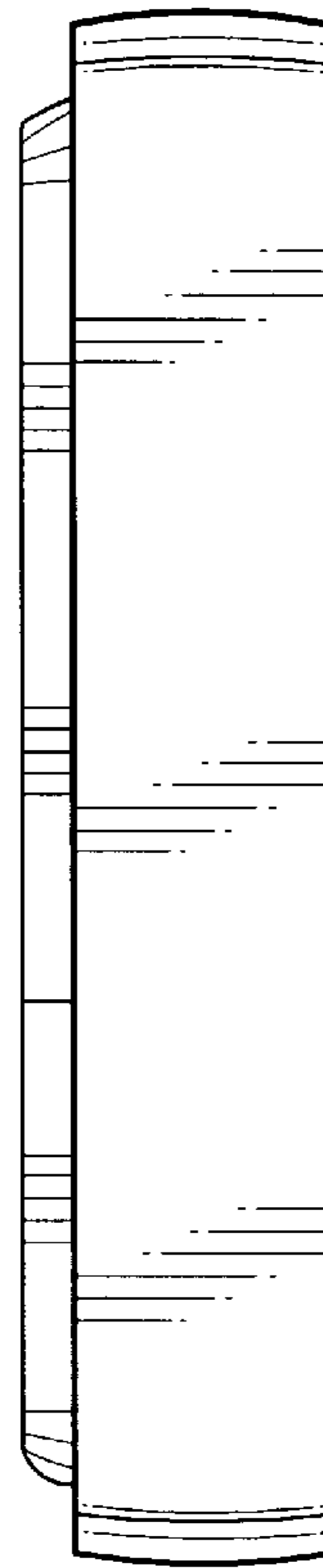


FIG.14

