



US00D517108S

(12) **United States Design Patent**
Chang et al.

(10) **Patent No.:** **US D517,108 S**
(45) **Date of Patent:** **** Mar. 14, 2006**

(54) **PROJECTOR**

(75) Inventors: **Hsien-Chun Chang**, Taoyuan (TW);
Ching-Lin Yeh, Taoyuan (TW);
Yung-Chuan Ma, Taoyuan (TW);
Chien-Jui Wang, Taipei (TW);
Yung-Song Chen, Fengshan (TW)

(73) Assignee: **Benq Corporation**, Taoyuan (TW)

(**) Term: **14 Years**

(21) Appl. No.: **29/218,832**

(22) Filed: **Dec. 6, 2004**

(30) **Foreign Application Priority Data**

Oct. 12, 2004 (TW) 93305973

(51) **LOC (8) Cl.** **16-02**

(52) **U.S. Cl.** **D16/230; D16/225**

(58) **Field of Classification Search** **D16/205,**
D16/208, 213, 221, 225, 230, 231, 234; D21/514;
353/115, 119, 122

See application file for complete search history.

(56) **References Cited**

U.S. PATENT DOCUMENTS

D470,525 S * 2/2003 Nakayama et al. D16/231

D472,571 S * 4/2003 Williams et al. D16/230
D473,253 S * 4/2003 Shimamoto D16/231
D474,799 S * 5/2003 Kawasaki et al. D16/230
D480,409 S * 10/2003 Wang et al. D16/230
6,742,900 B1 * 6/2004 Fujimori 353/119
6,793,346 B1 * 9/2004 Nakano et al. 353/122
6,869,186 B1 * 3/2005 Ogawa 353/31
D506,770 S * 6/2005 Saeki et al. D16/230
D507,008 S * 7/2005 Pininfarina D16/230

* cited by examiner

Primary Examiner—Adir Aronovich

(74) *Attorney, Agent, or Firm*—Thomas, Kayden,
Horstemeyer & Risley

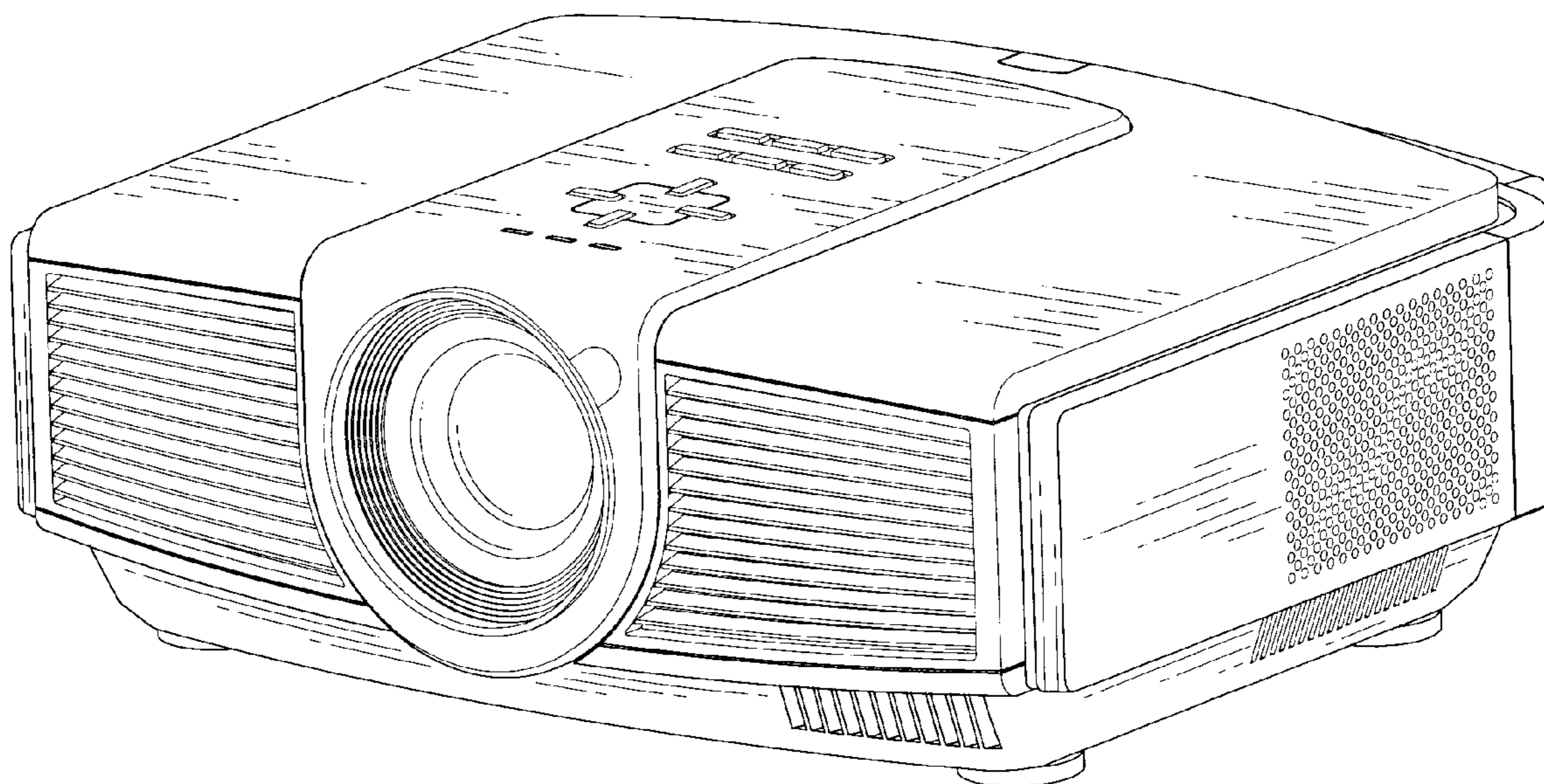
(57) **CLAIM**

The ornamental design for a projector, as shown and described.

DESCRIPTION

FIG. 1 is a front and right side perspective view of a projector showing our new design;
FIG. 2 is a front elevational view thereof;
FIG. 3 is a rear elevational view thereof;
FIG. 4 is a left side elevational view thereof;
FIG. 5 is a right side elevational view thereof;
FIG. 6 is a top plan view thereof; and,
FIG. 7 is a bottom view thereof.

1 Claim, 7 Drawing Sheets



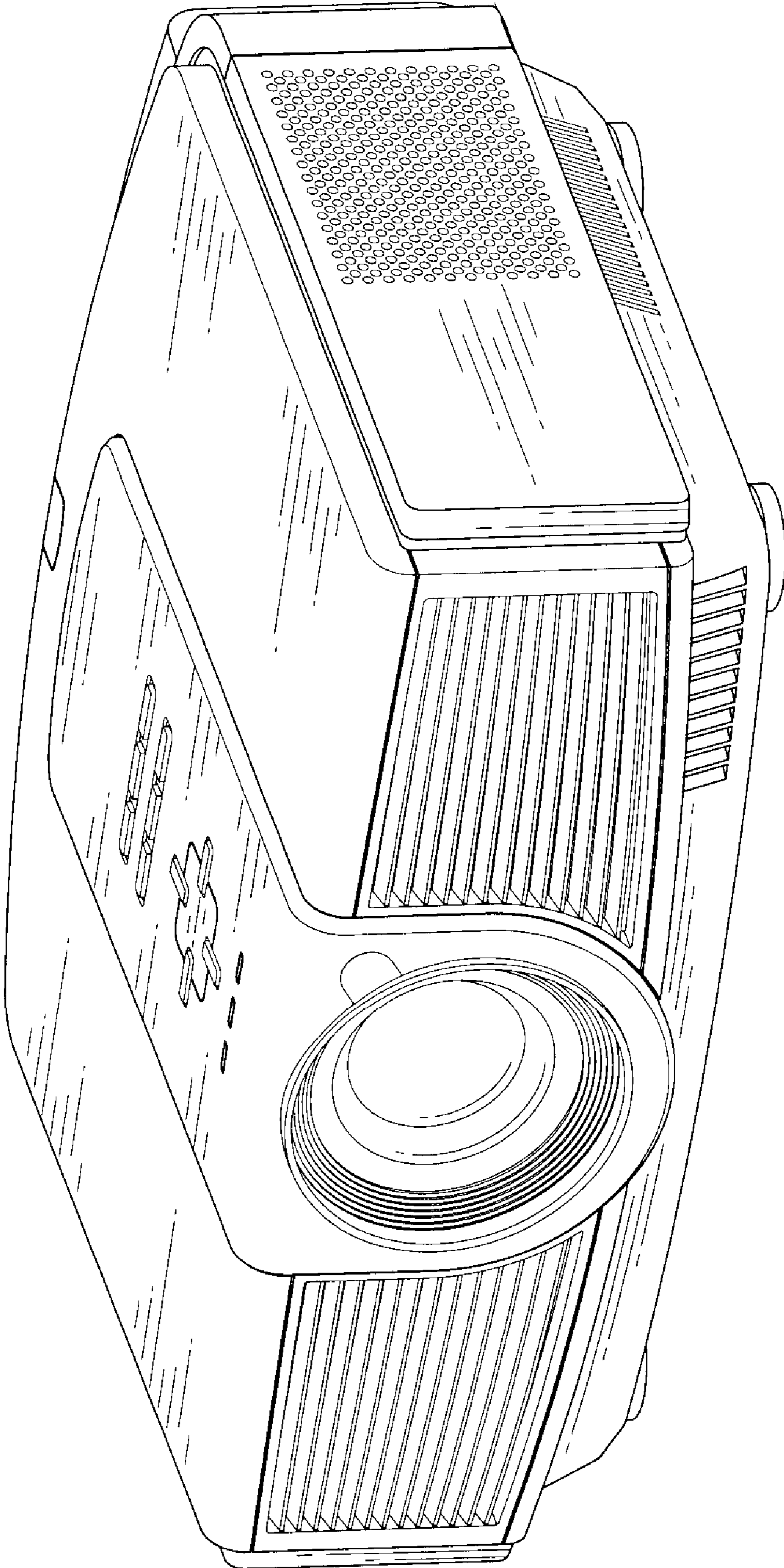


FIG. 1

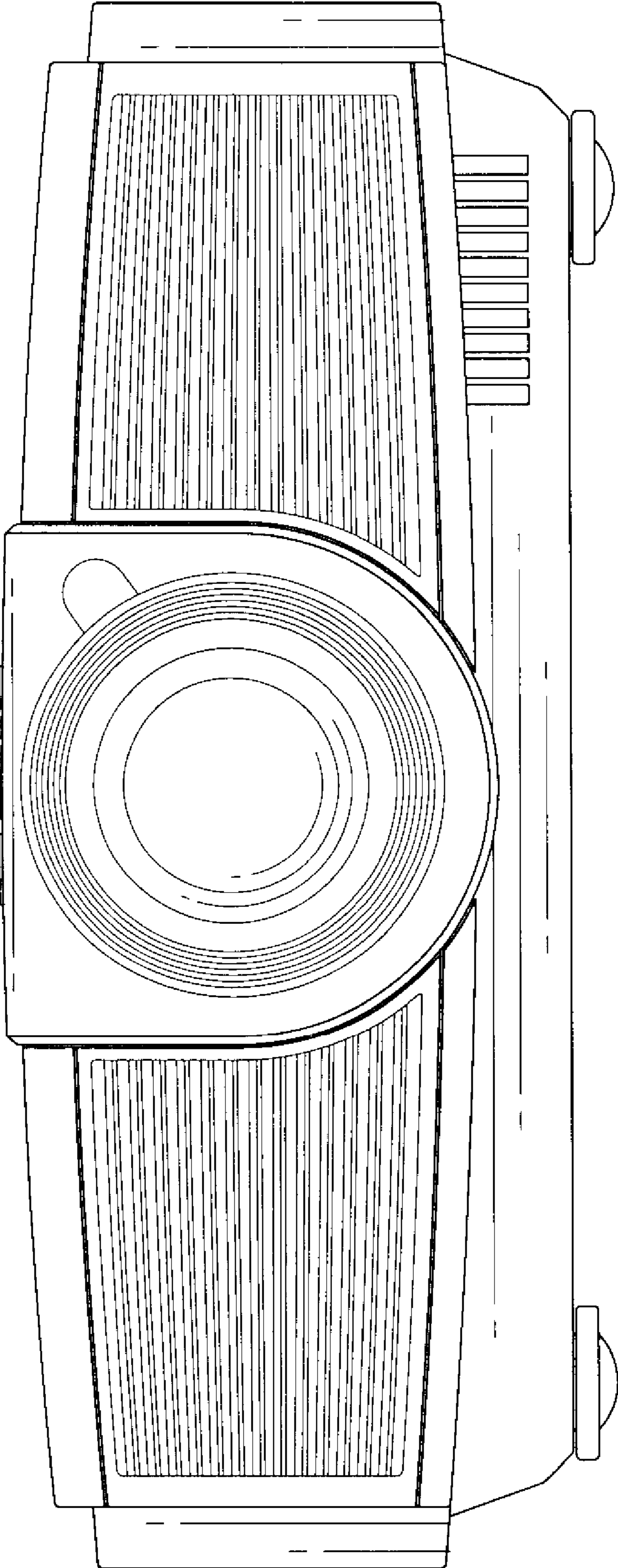


FIG. 2

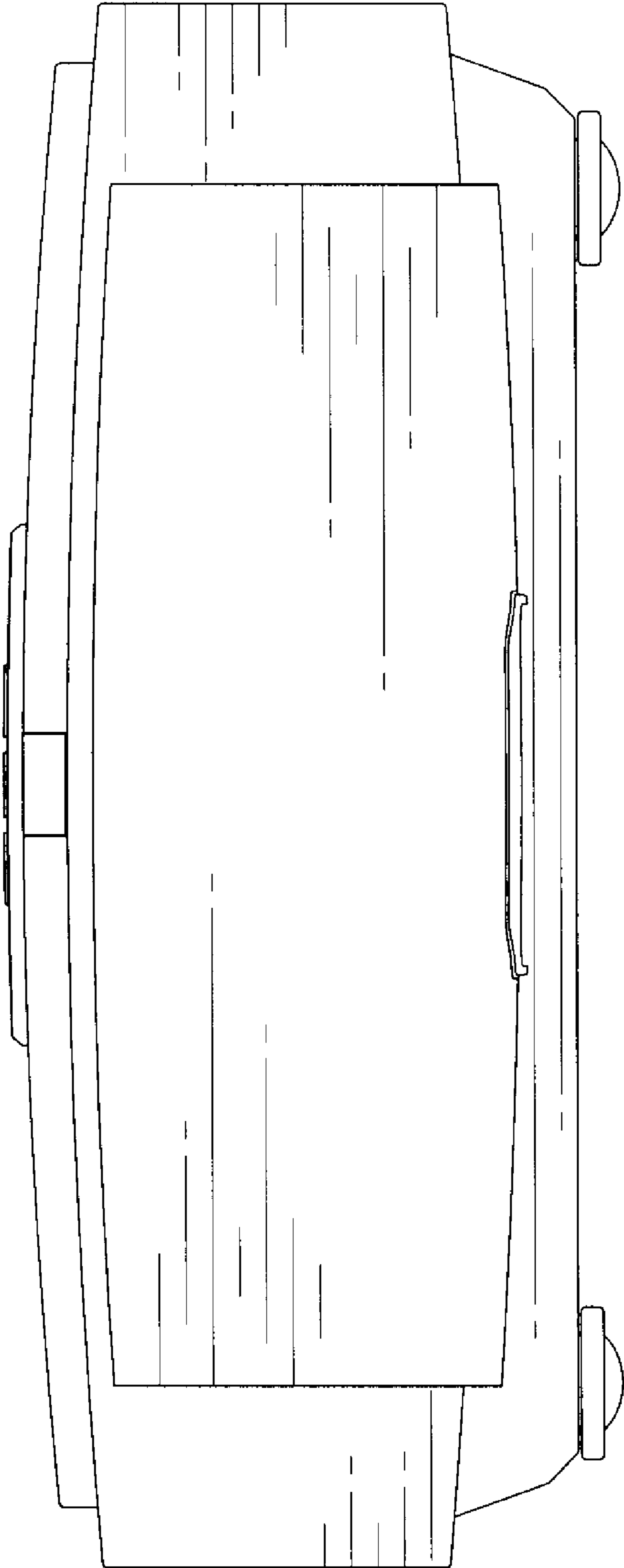


FIG. 3

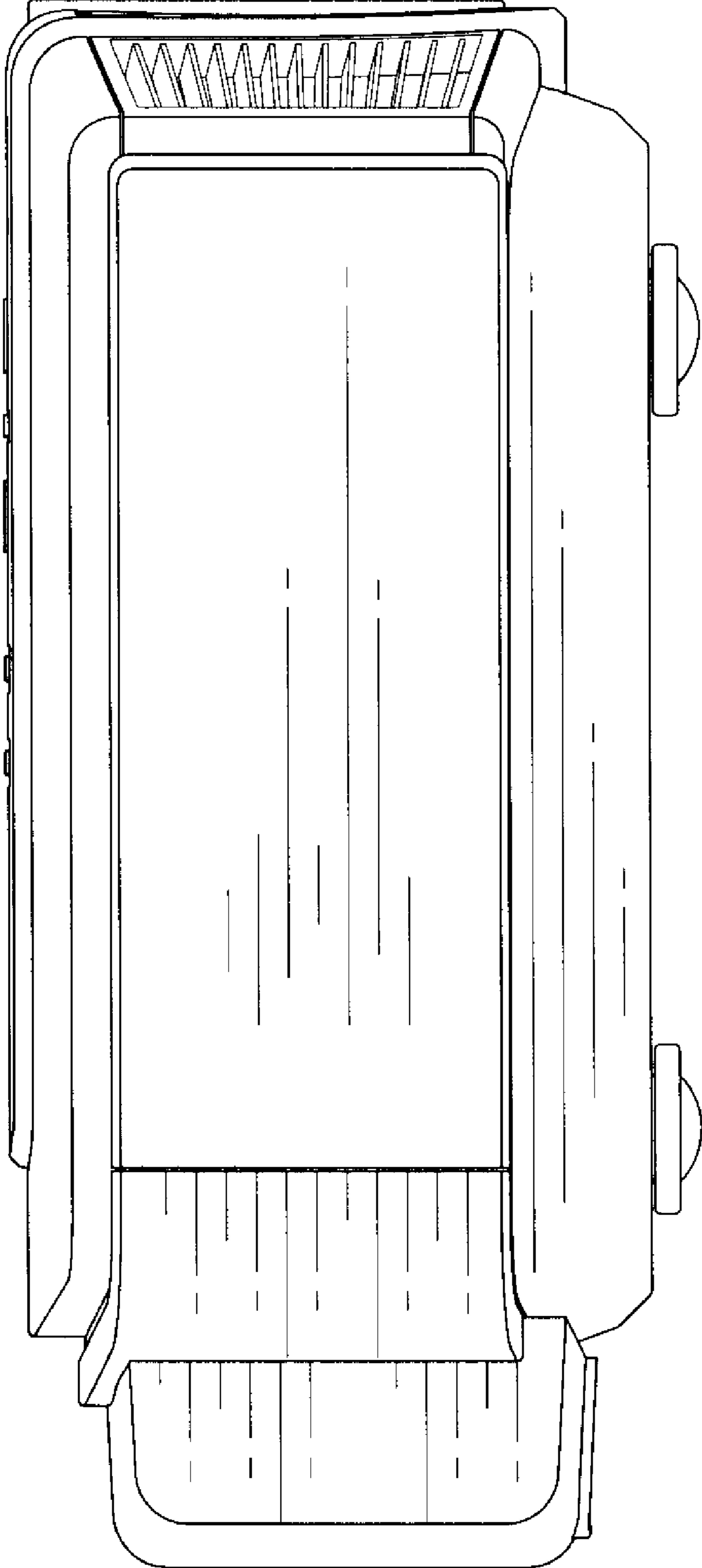


FIG. 4

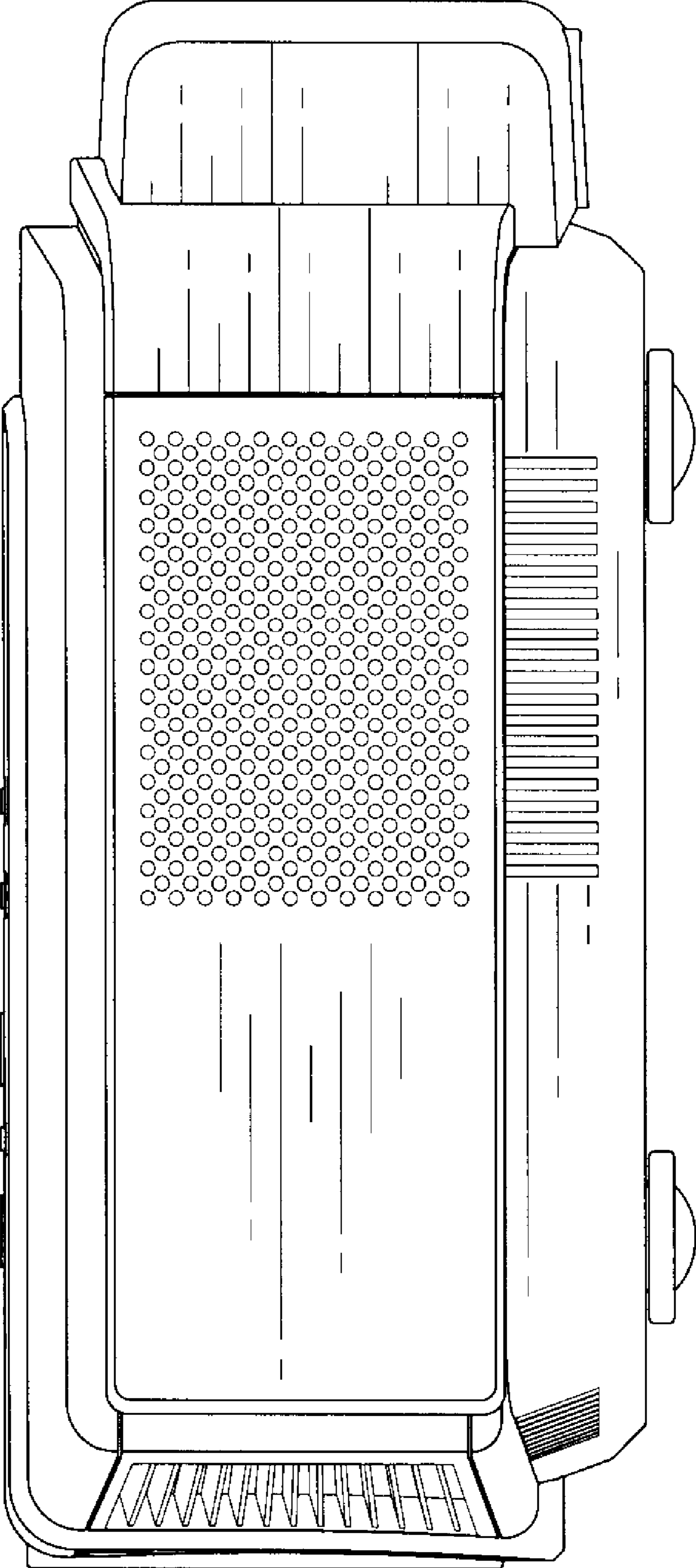


FIG. 5

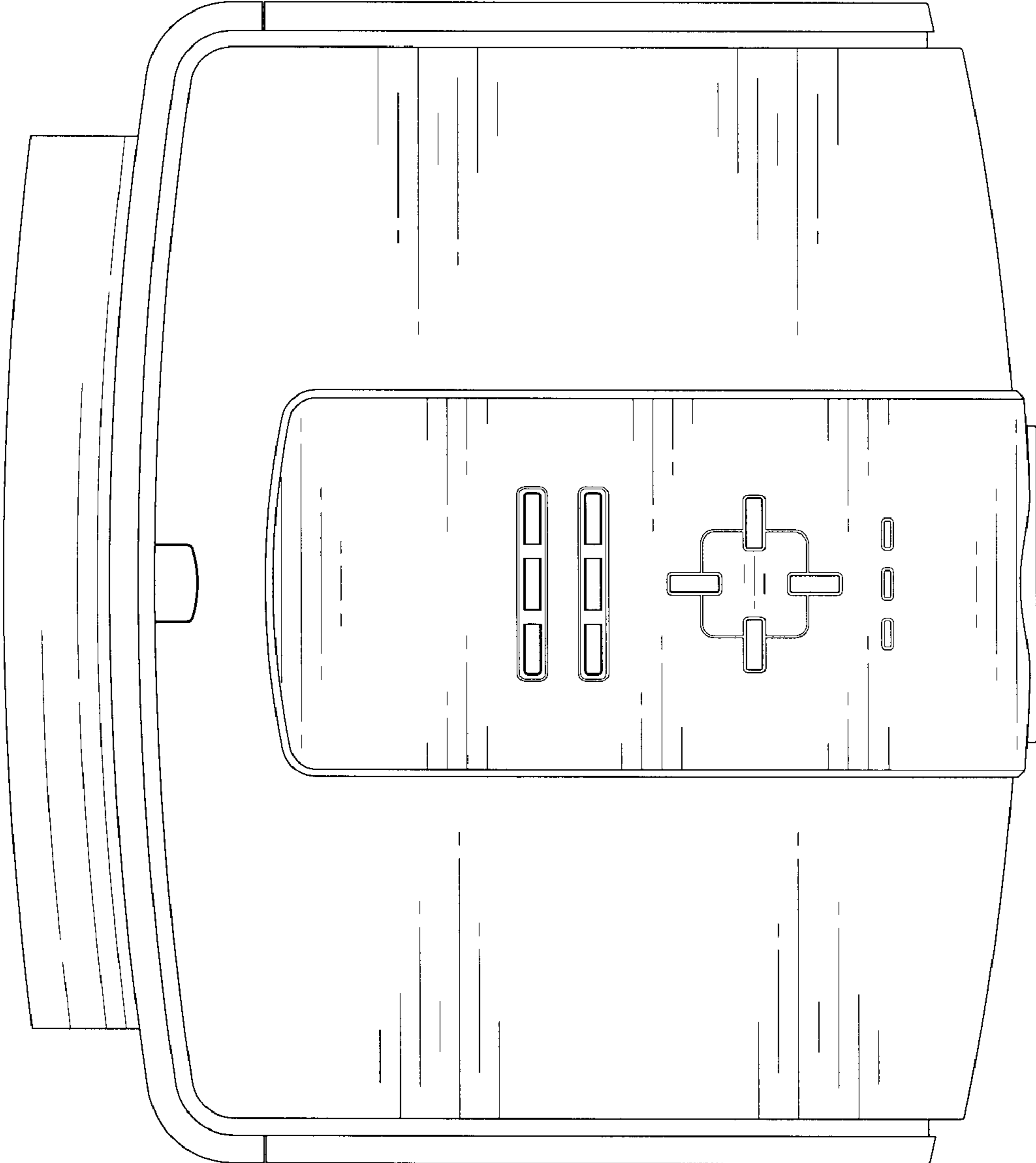


FIG. 6

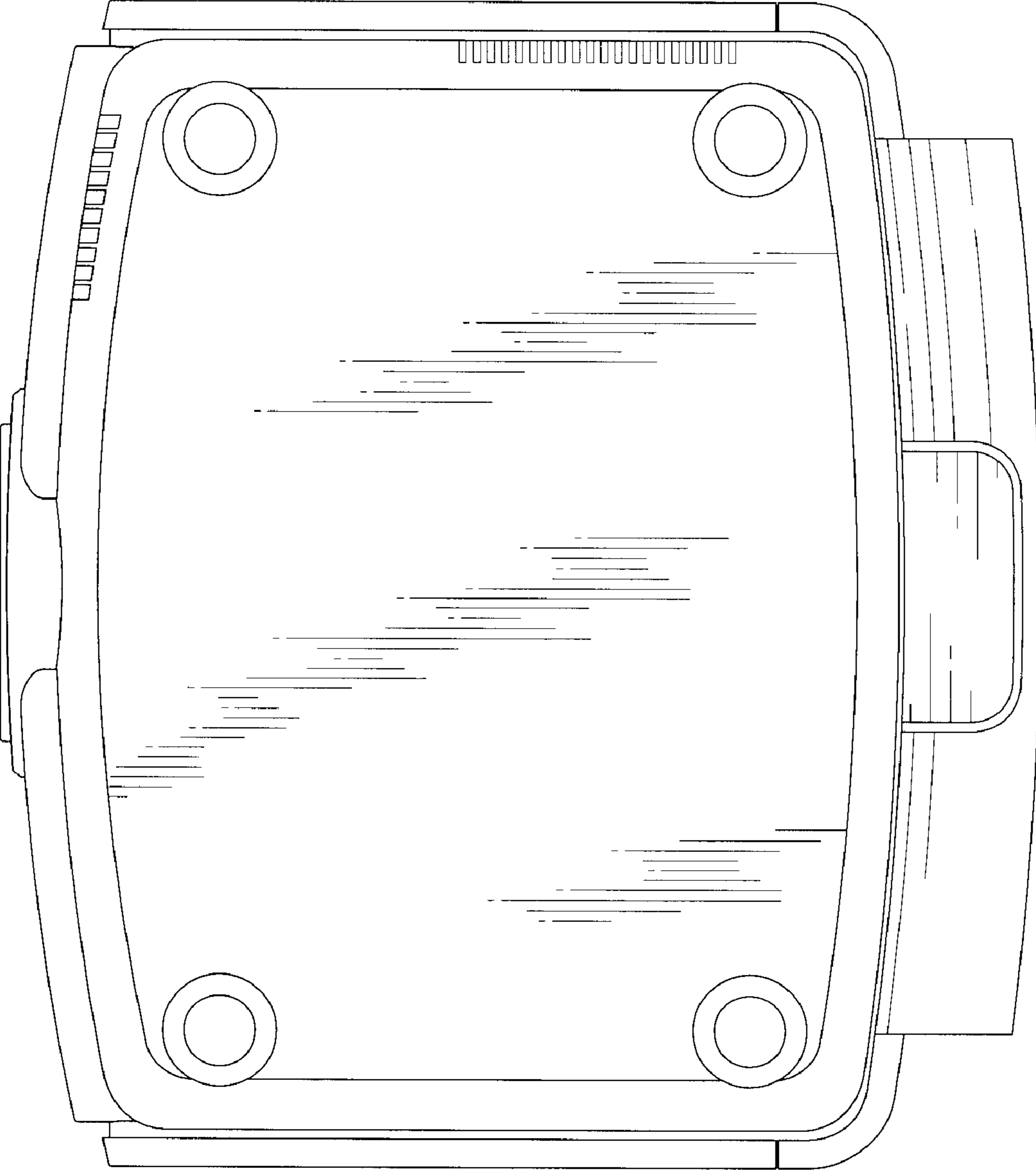


FIG. 7