

US00D517107S

(12) **United States Design Patent**
Kojima et al.

(10) **Patent No.:** **US D517,107 S**
(45) **Date of Patent:** **** Mar. 14, 2006**

(54) **VIDEO CAMERA WITH DIGITAL VIDEO DISK PLAYER**

D491,967 S * 6/2004 Kojima et al. D16/202
D500,512 S * 1/2005 Hayashi D16/208
D505,438 S * 5/2005 Kojima et al. D16/202
D506,487 S * 6/2005 Iinuma et al. D16/202

(75) Inventors: **Akira Kojima**, Kunitachi (JP);
Yoshihiro Iwama, Kokubunji (JP);
Minoru Ikeda, Inagi (JP); **Kazuto Oyama**, Hitachinaka (JP)

* cited by examiner

Primary Examiner—Adir Aronovich

(73) Assignee: **Hitachi, Ltd.**, Tokyo (JP)

(74) *Attorney, Agent, or Firm*—Antonelli, Terry, Stout and Kraus, LLP.

(**) Term: **14 Years**

(57) **CLAIM**

(21) Appl. No.: **29/212,393**

We claim the ornamental design for a video camera with digital video disk player, as shown and described.

(22) Filed: **Sep. 1, 2004**

DESCRIPTION

(30) **Foreign Application Priority Data**

Aug. 27, 2004 (JP) 2004-025696

(51) **LOC (8) Cl.** **16-01**

(52) **U.S. Cl.** **D16/202**

(58) **Field of Classification Search** D16/200–206,
D16/208, 218; 348/373–376; 358/906, 909.1;
396/535–541

See application file for complete search history.

FIG. 1 is a right side perspective view of the video camera with digital video disk player showing our new design; FIG. 2 is a left side perspective view thereof; FIG. 3 is a front side view thereof; FIG. 4 is a rear view thereof; and FIG. 5 is a right side view thereof; FIG. 6 is a left side view thereof; FIG. 7 is a top view thereof; FIG. 8 is a bottom view thereof; FIG. 9 is a right side view thereof, a monitor being in an open position; and, FIG. 10 is a rear view thereof, a monitor being in an open position.

(56) **References Cited**

U.S. PATENT DOCUMENTS

5,739,859 A * 4/1998 Hattori et al. 348/375
D423,541 S * 4/2000 Ohwada D16/202
D435,575 S * 12/2000 Kanatani D16/202

1 Claim, 6 Drawing Sheets

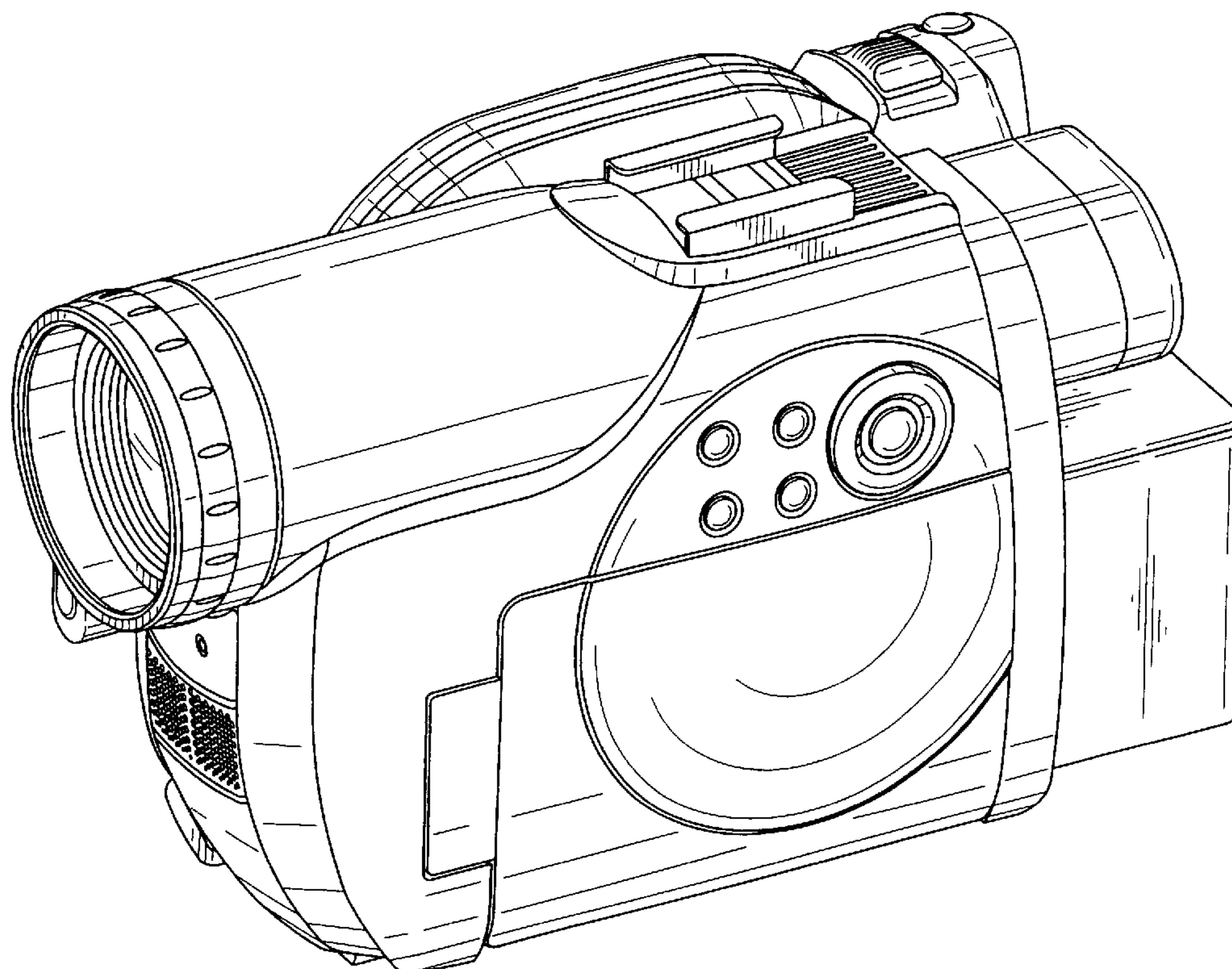


FIG. 1

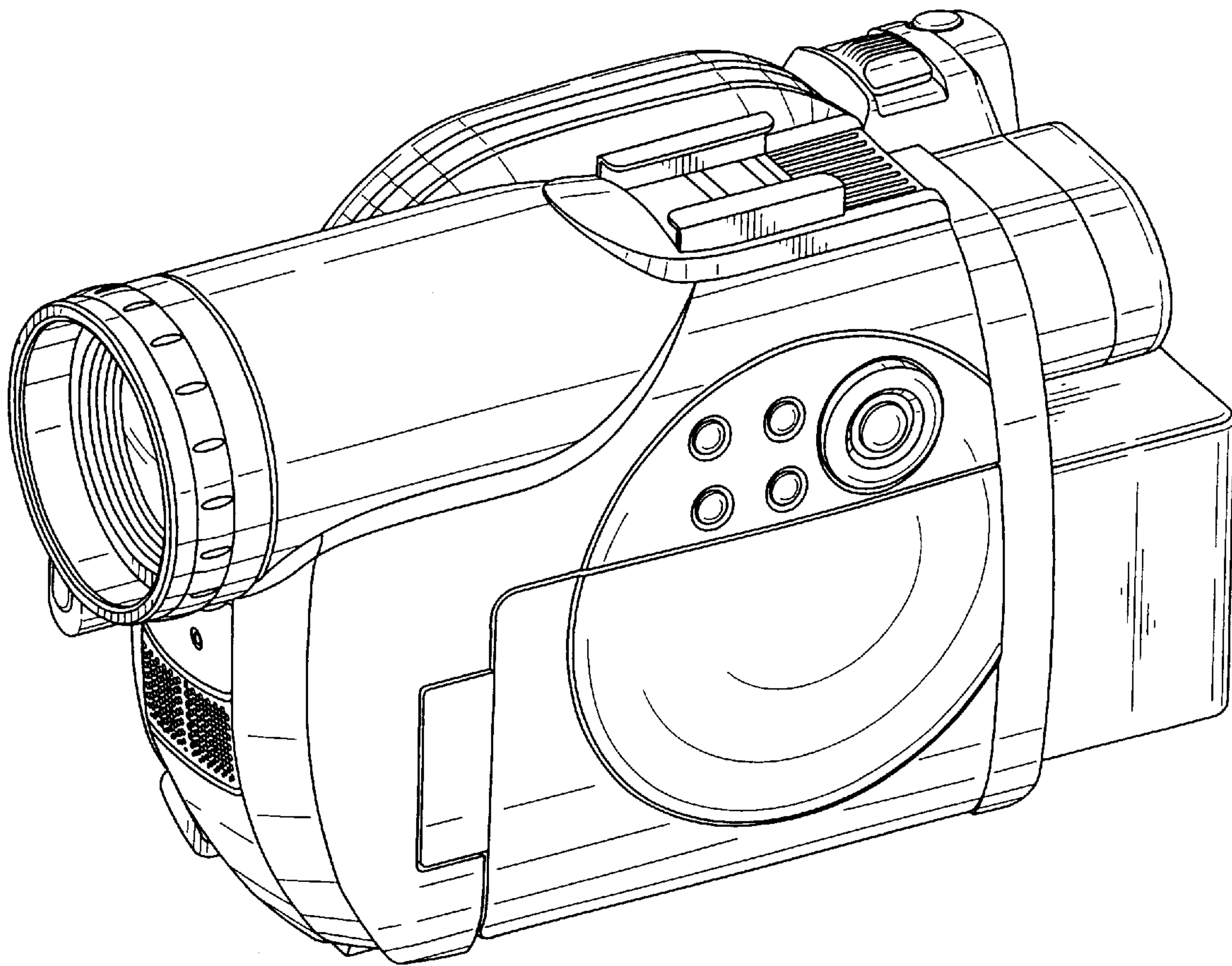


FIG. 2

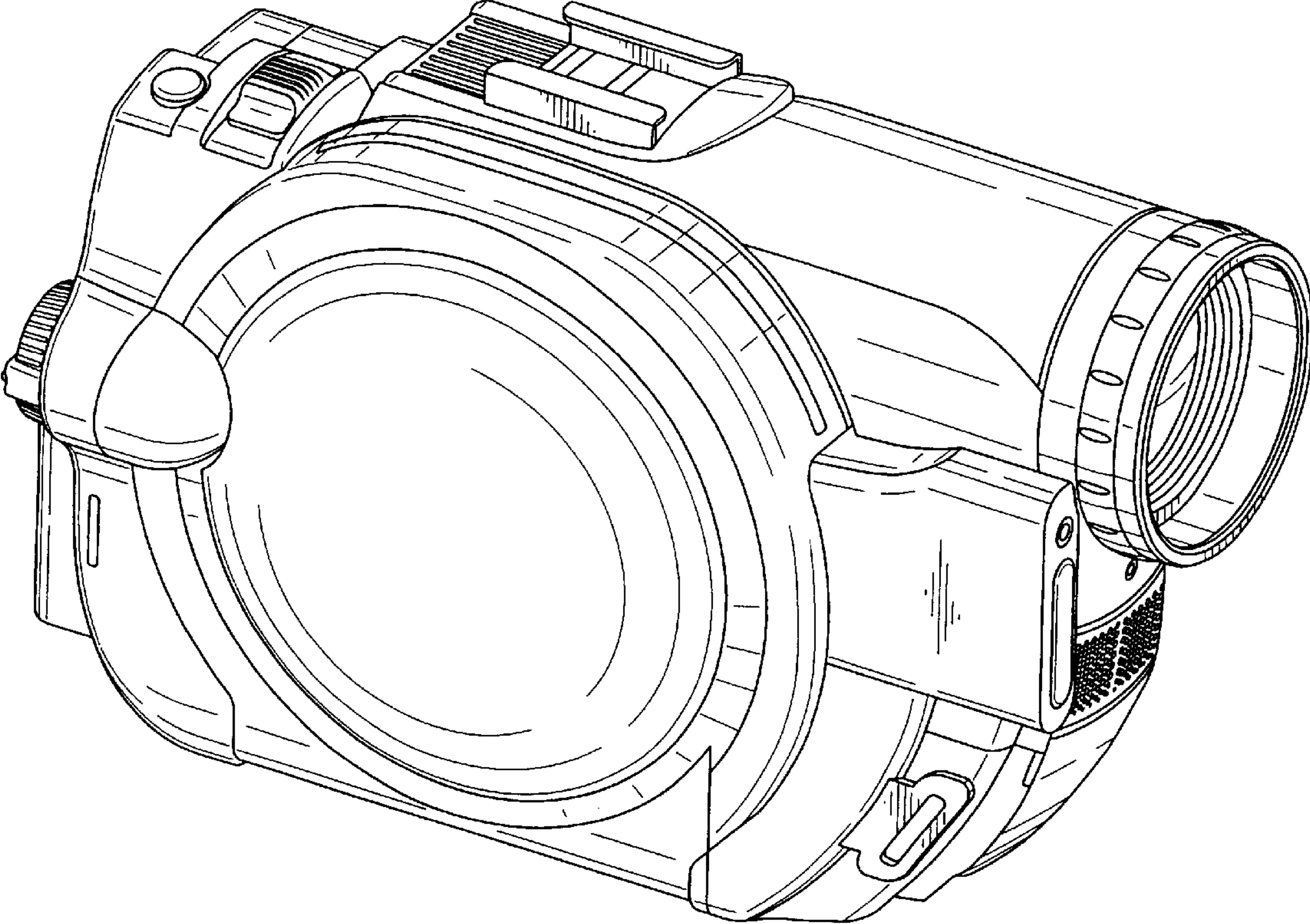


FIG. 3

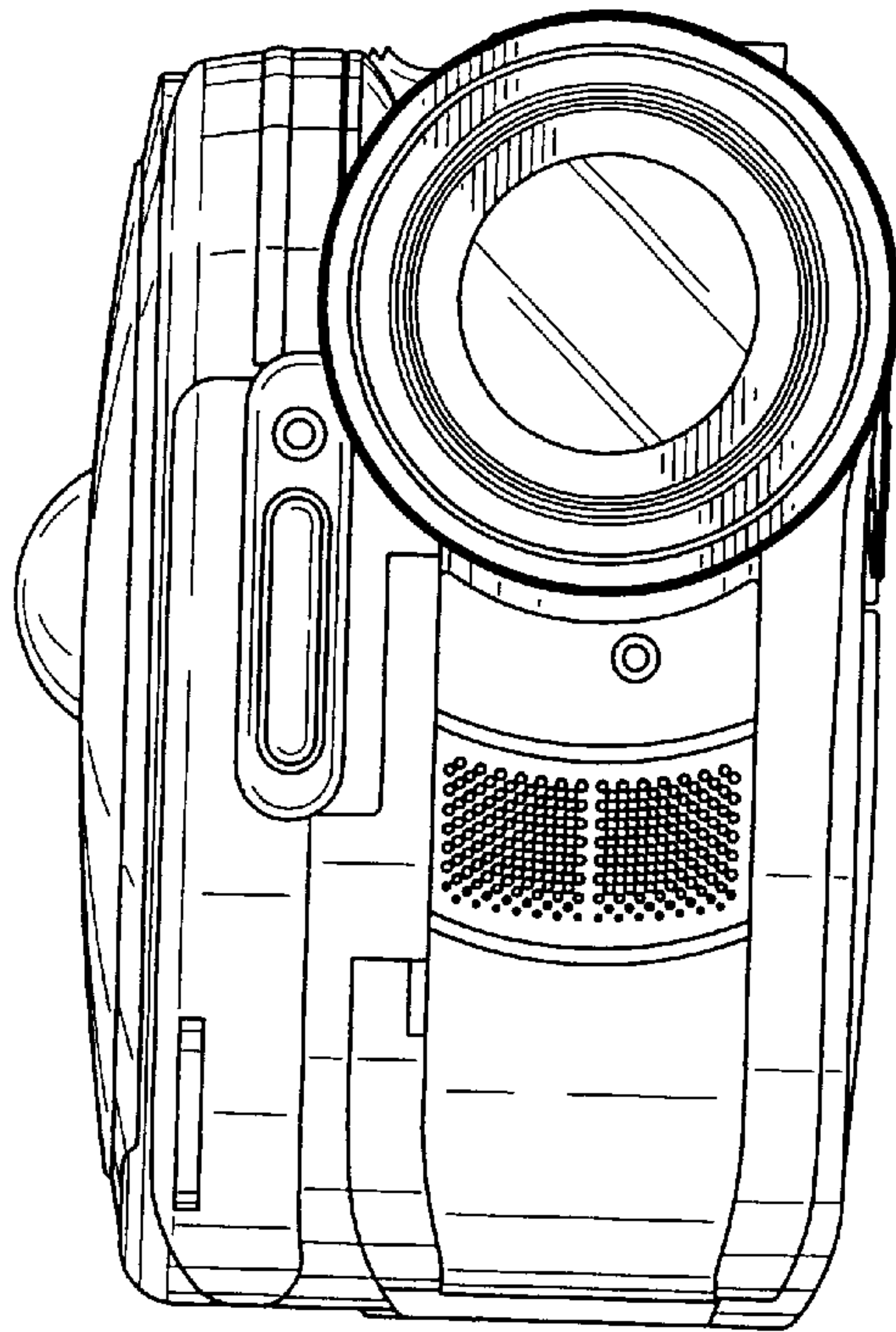


FIG. 4

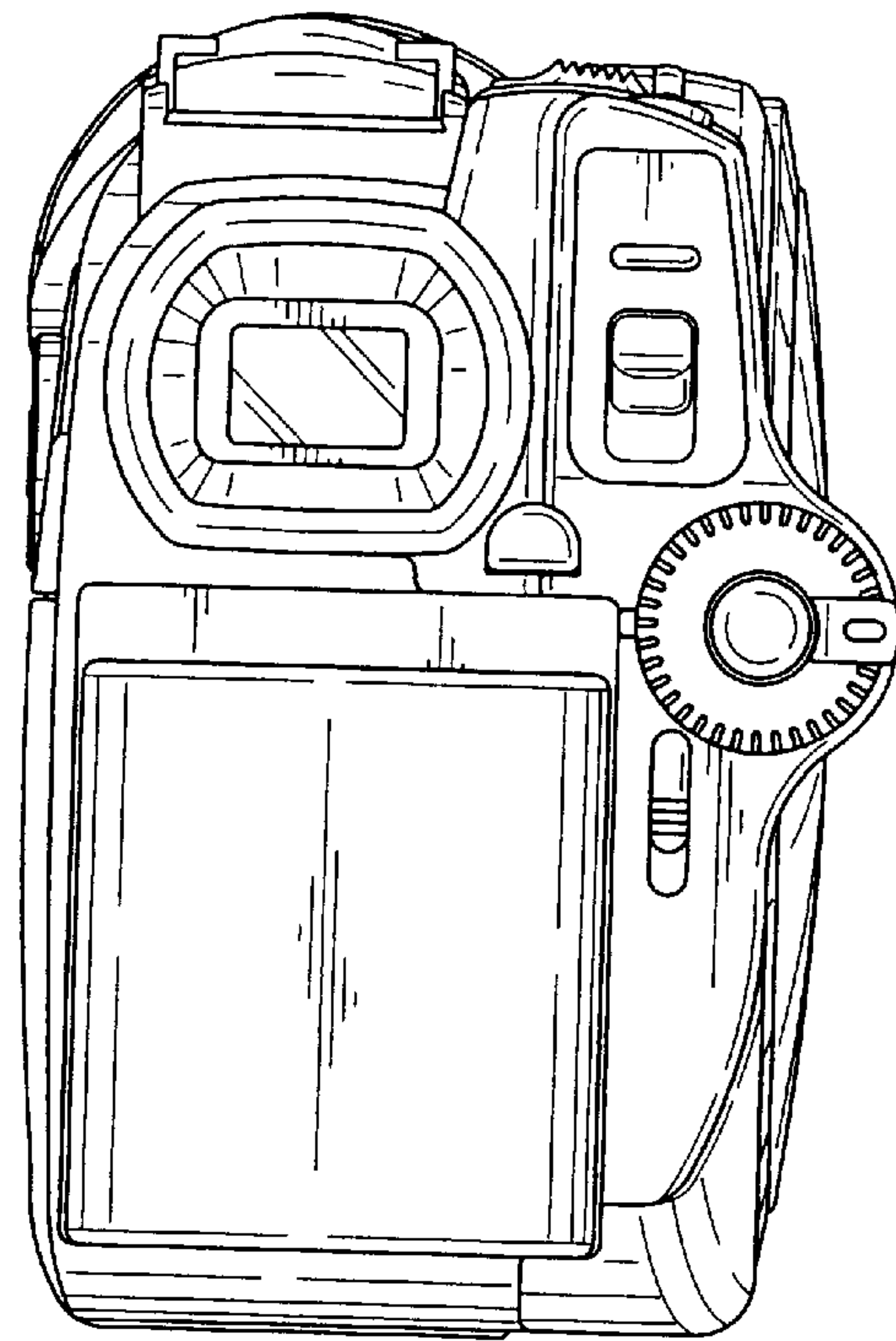


FIG. 5

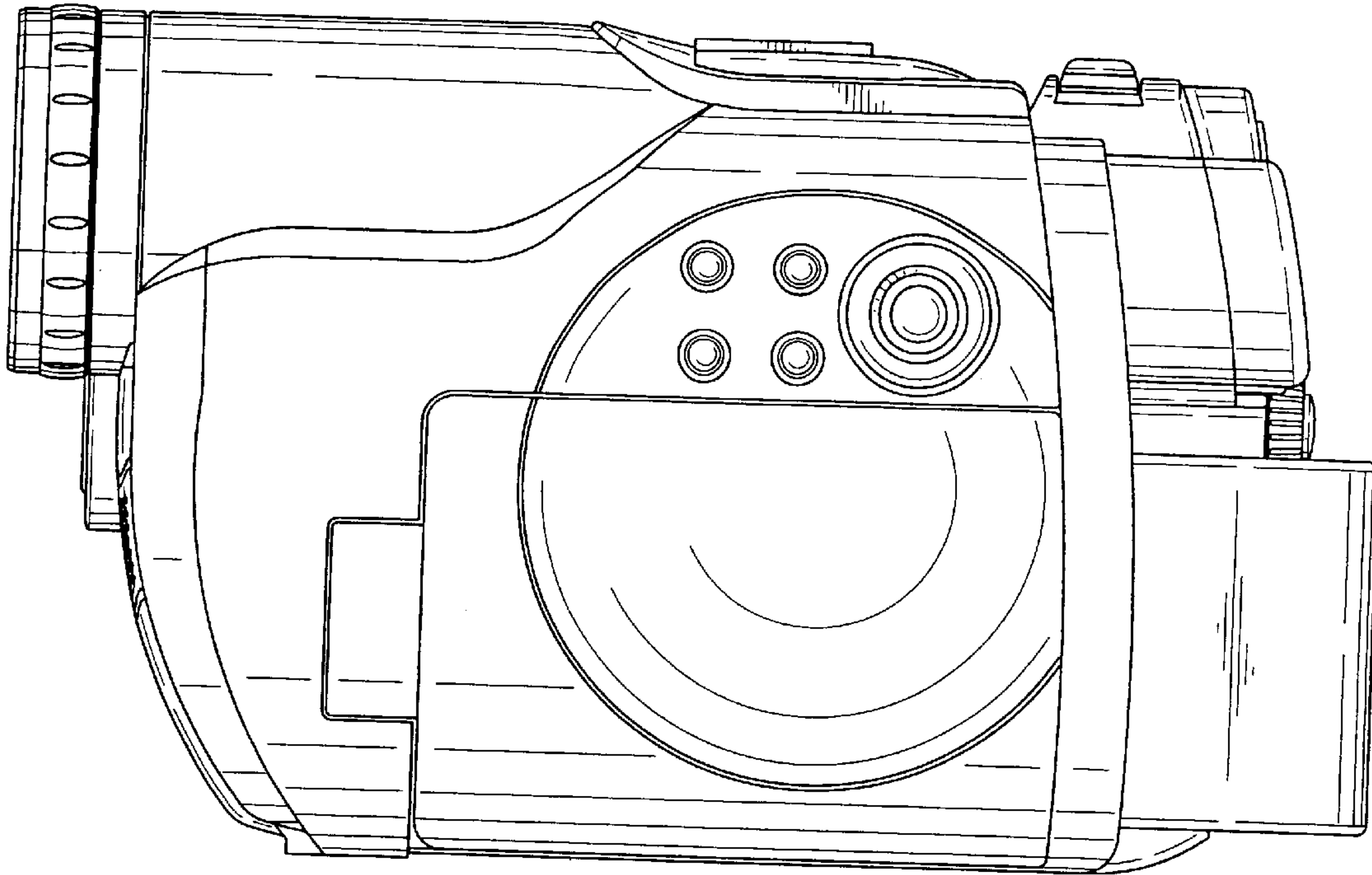


FIG. 6

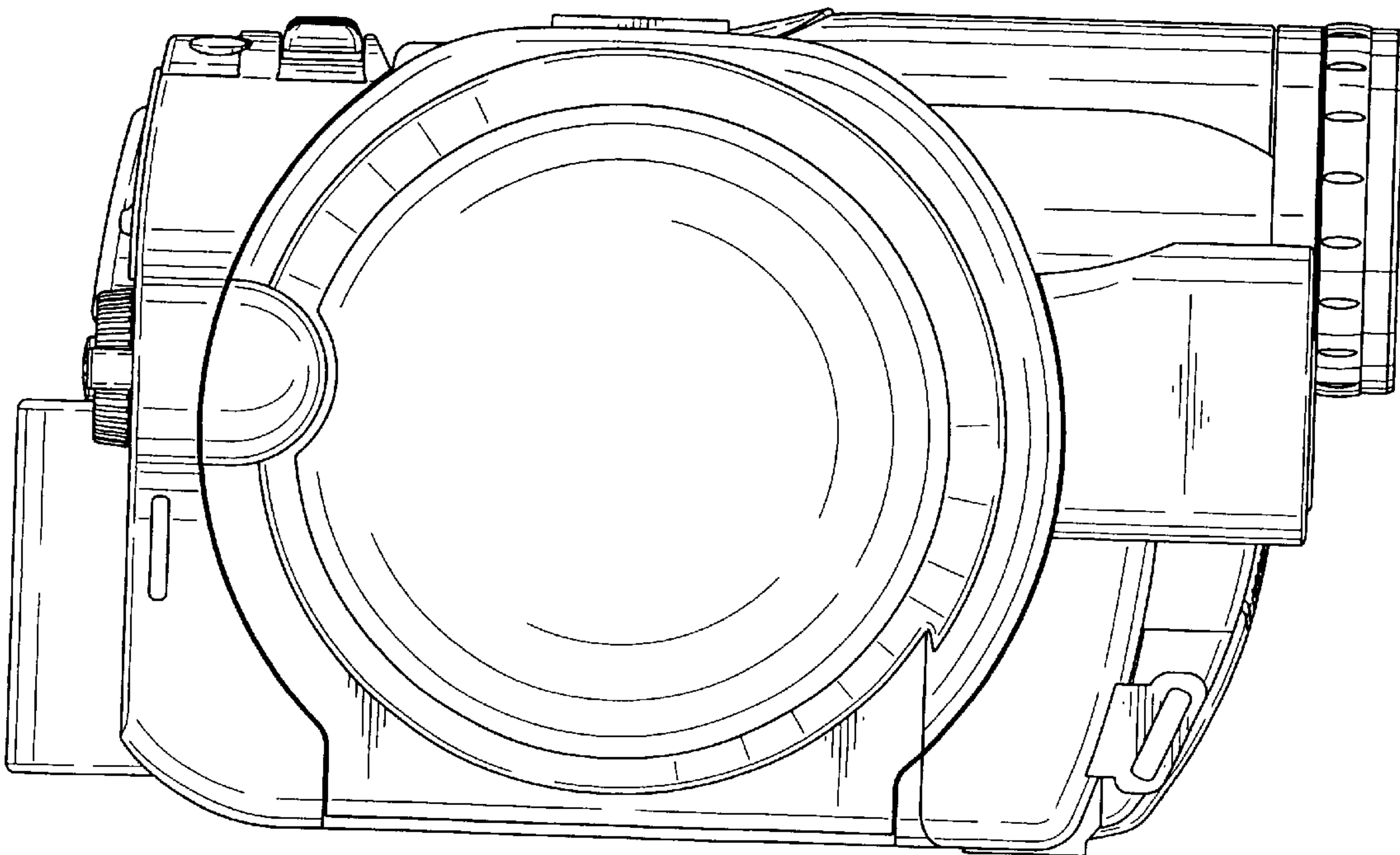


FIG. 7

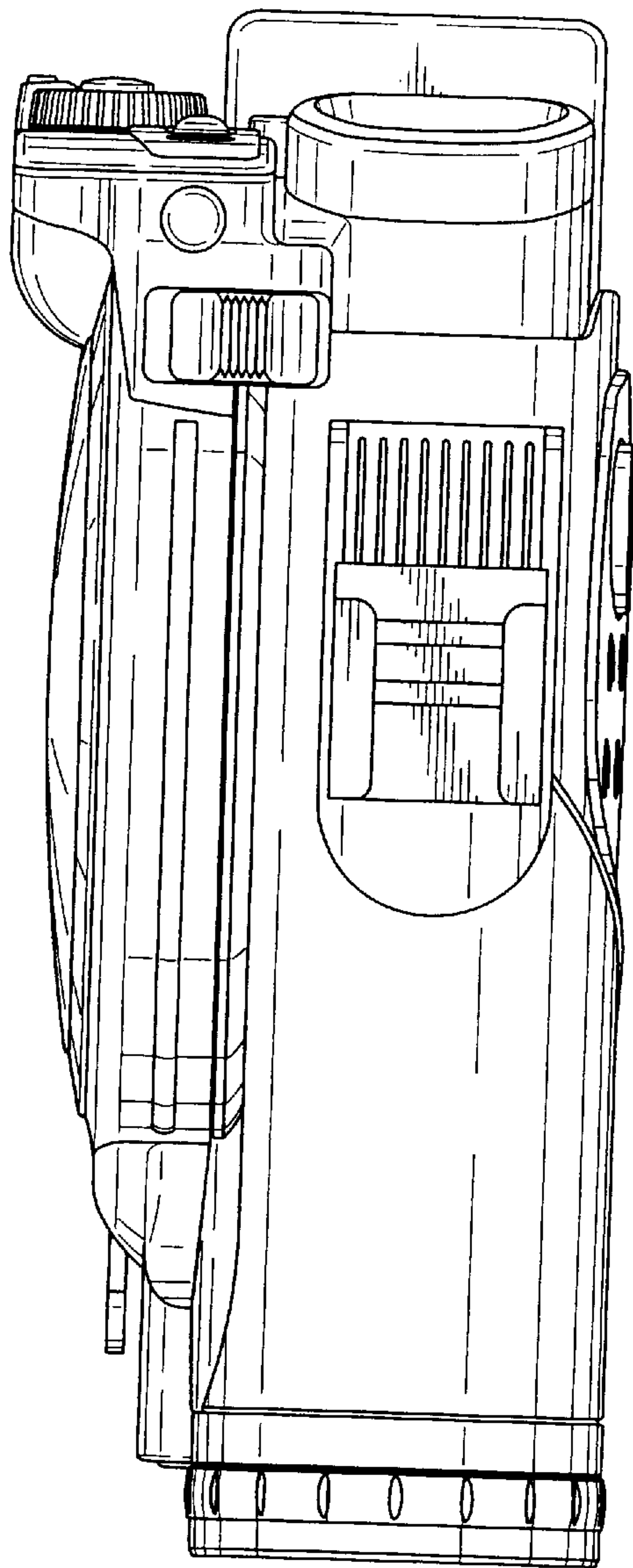


FIG. 8

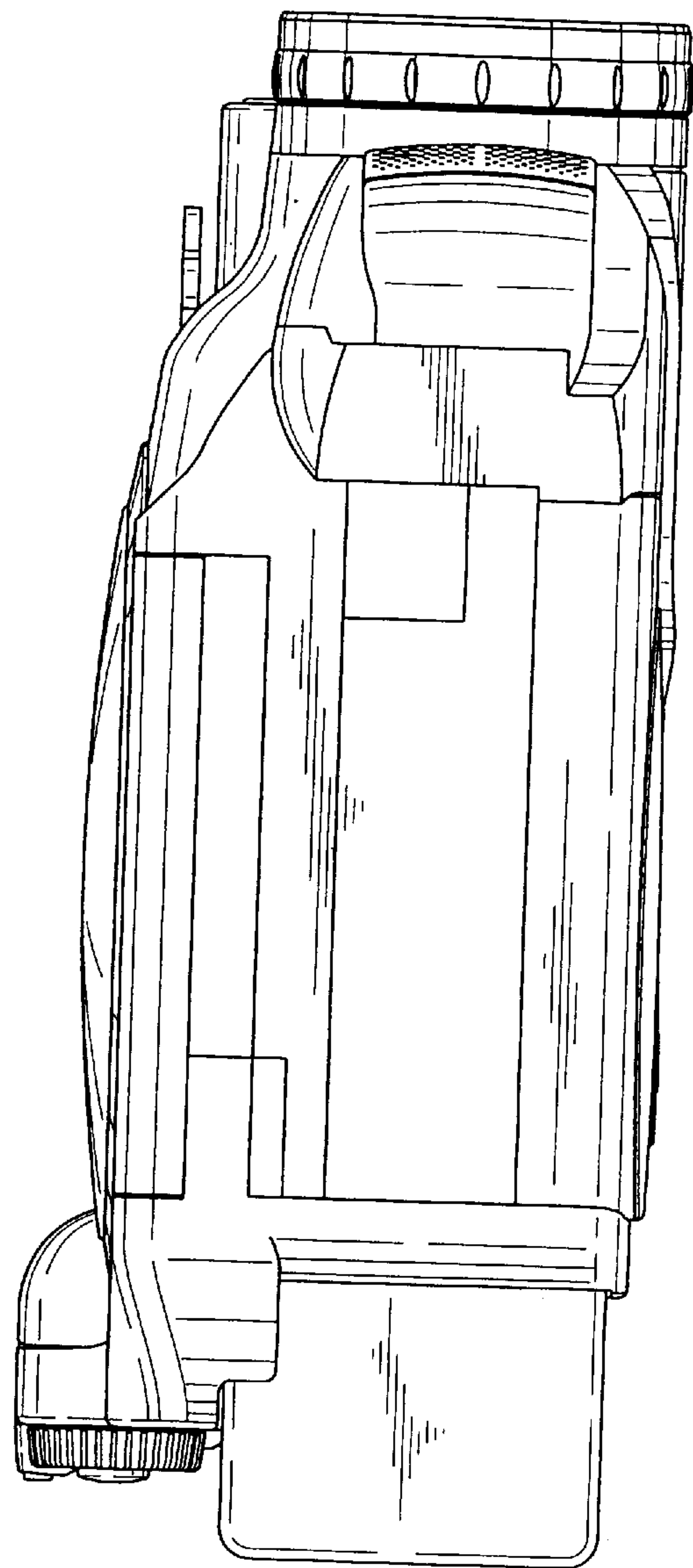


FIG. 9

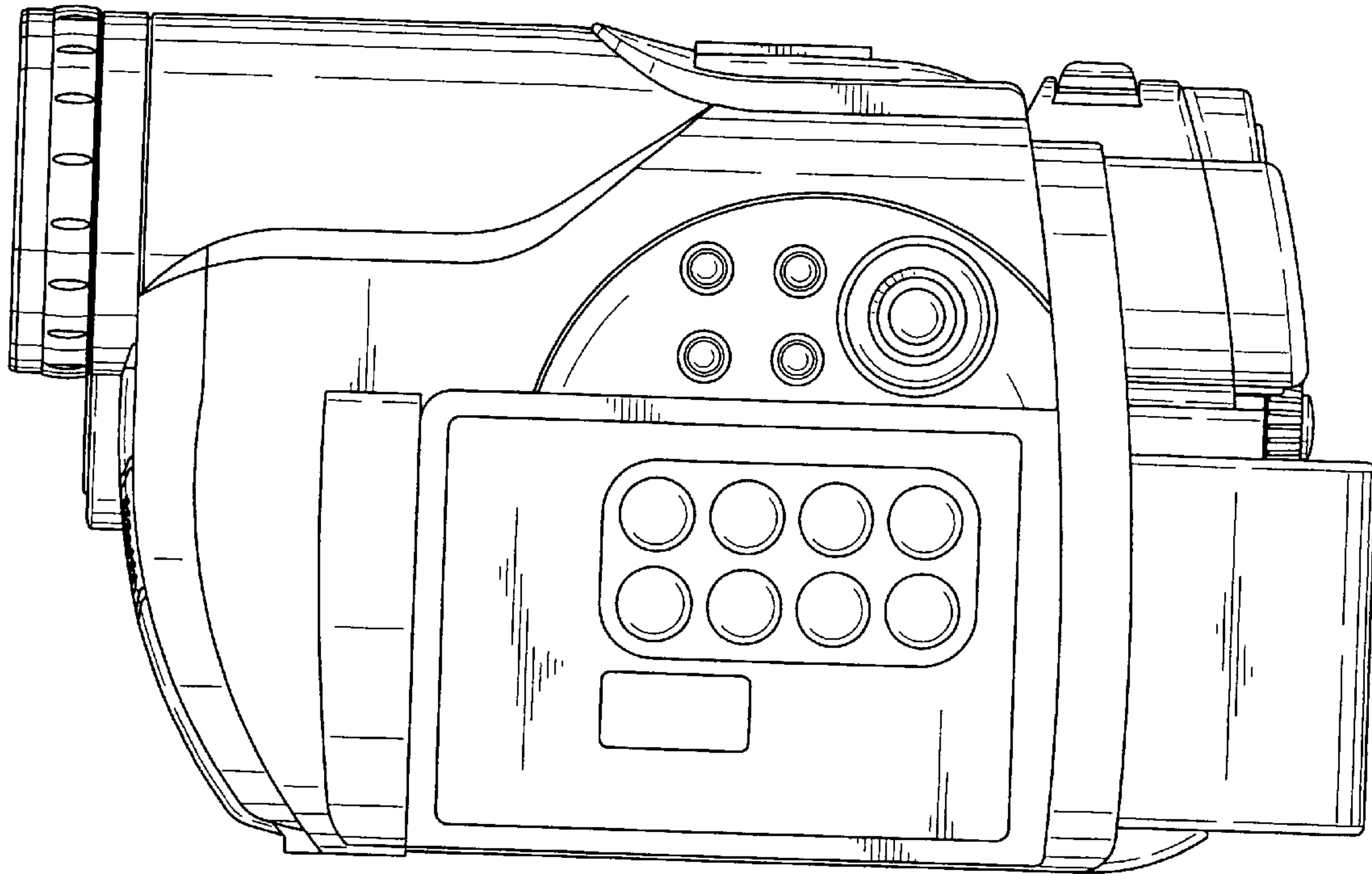


FIG. 10

