



US00D517106S

(12) **United States Design Patent**
Onuma

(10) **Patent No.:** **US D517,106 S**
(45) **Date of Patent:** **** Mar. 14, 2006**

(54) **DIGITAL CAMERA**

(75) Inventor: **Koki Onuma, Tokyo (JP)**

(73) Assignee: **PENTAX Corporation, Tokyo (JP)**

(**) Term: **14 Years**

(21) Appl. No.: **29/210,935**

(22) Filed: **Aug. 10, 2004**

(30) **Foreign Application Priority Data**

Feb. 10, 2004 (JP) 2004-003375

(51) **LOC (8) Cl.** **16-01**

(52) **U.S. Cl.** **D16/202; D16/203**

(58) **Field of Classification Search** D16/200–206,
D16/208, 218; 348/81, 373, 374–376; 358/906;
396/535–541

See application file for complete search history.

(56) **References Cited**

U.S. PATENT DOCUMENTS

D355,664 S	*	2/1995	Kataoka	D16/202
5,499,052 A	*	3/1996	Nakanishi et al.	348/373
D377,941 S	*	2/1997	Tanaka	D16/202
D439,263 S	*	3/2001	Shiotani	D16/202
D445,814 S	*	7/2001	Oki et al.	D16/202
D445,816 S	*	7/2001	Tanaka	D16/203

D467,601 S	*	12/2002	Kojima et al.	D16/202
D476,022 S	*	6/2003	Sumita	D16/202
D500,776 S	*	1/2005	Miyashita	D16/202
D502,478 S	*	3/2005	Iinuma et al.	D16/202

FOREIGN PATENT DOCUMENTS

JP	1084238 S	6/2000
JP	1162701 S	11/2002

* cited by examiner

Primary Examiner—Adir Aronovich

(74) *Attorney, Agent, or Firm*—Sughrue Mion, PLLC

(57) **CLAIM**

The ornamental design for a digital camera, as shown and described.

DESCRIPTION

FIG. 1 is a perspective view of the top, front and right side of a digital camera showing my new design; FIG. 2 is a front elevational view thereof; FIG. 3 is a rear elevational view thereof; FIG. 4 is a right side elevational view thereof; FIG. 5 is a left side elevational view thereof; FIG. 6 is a top plan view thereof; FIG. 7 is a bottom plan view thereof; and, FIG. 8 is a rear elevational view similar to FIG. 3 with the viewing screen exposed.

1 Claim, 8 Drawing Sheets

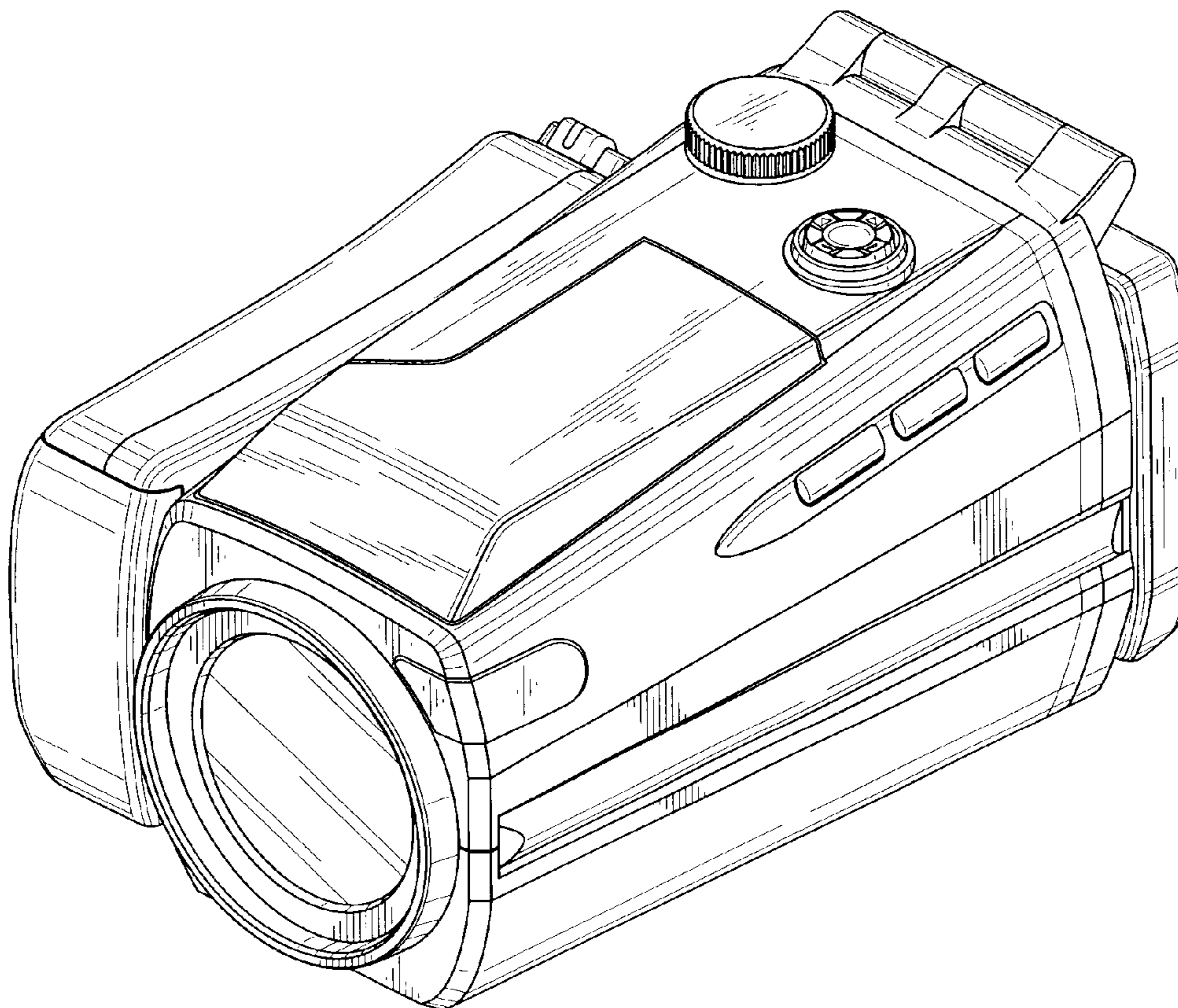


FIG. 1

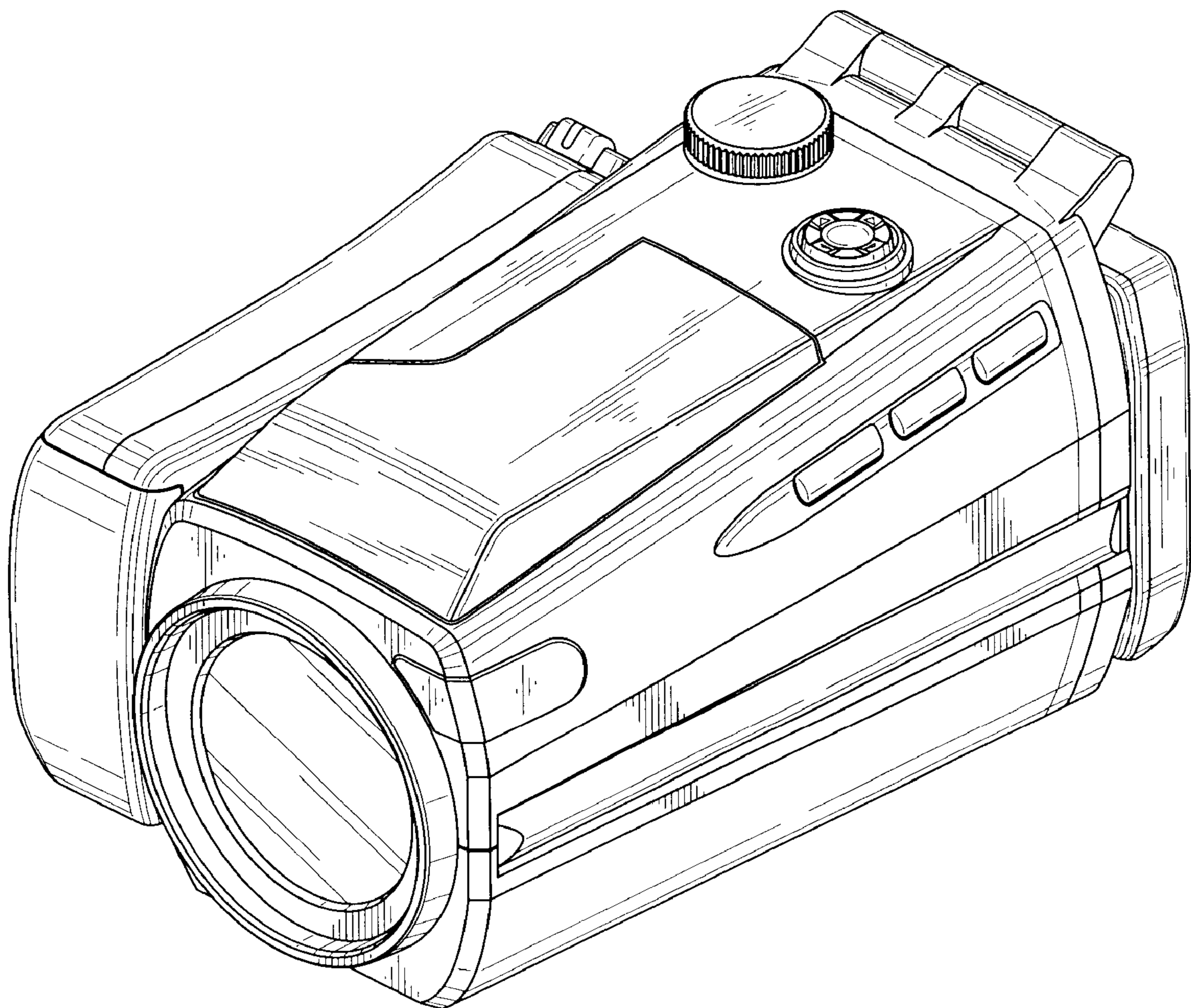


FIG. 2

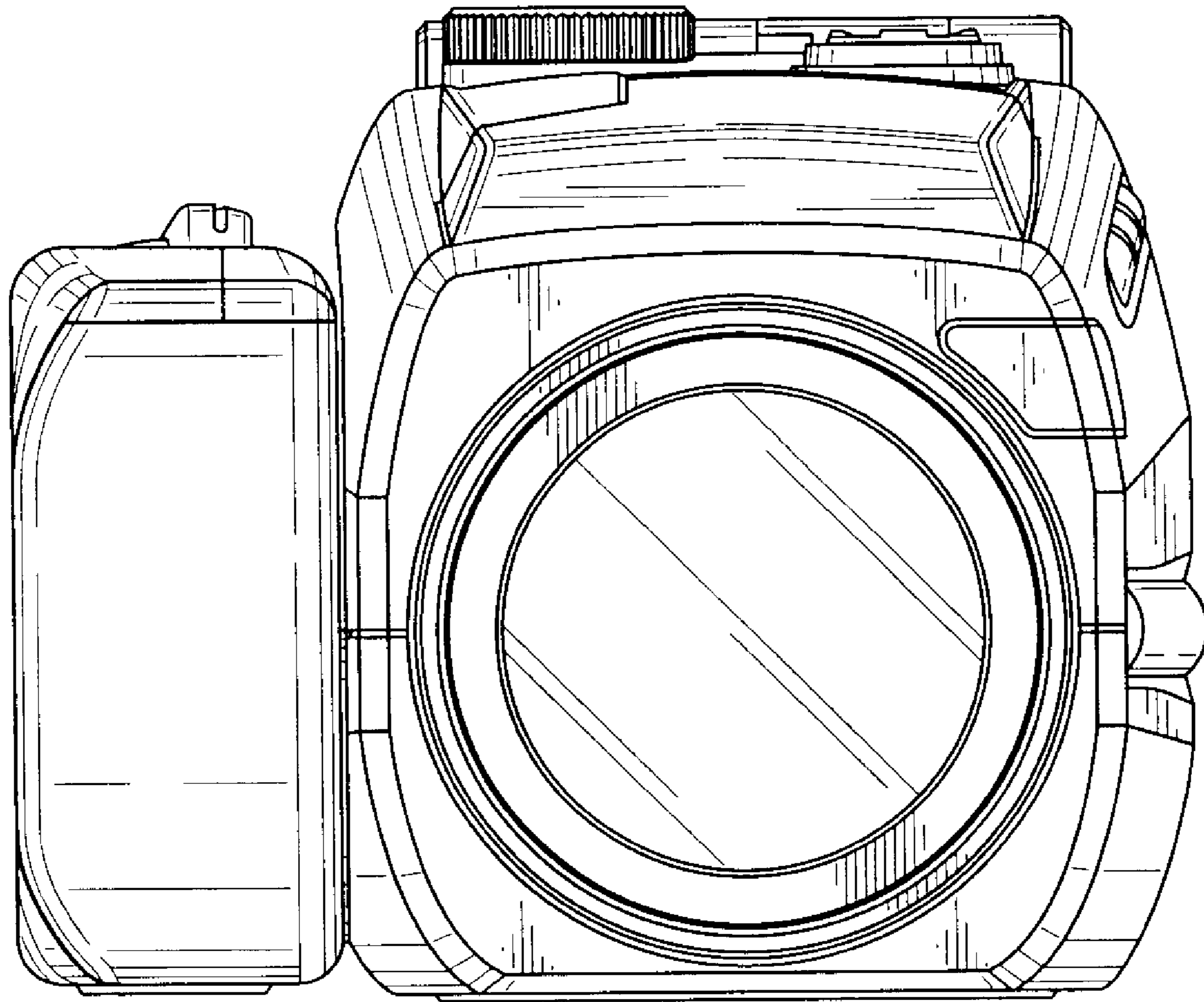


FIG. 3

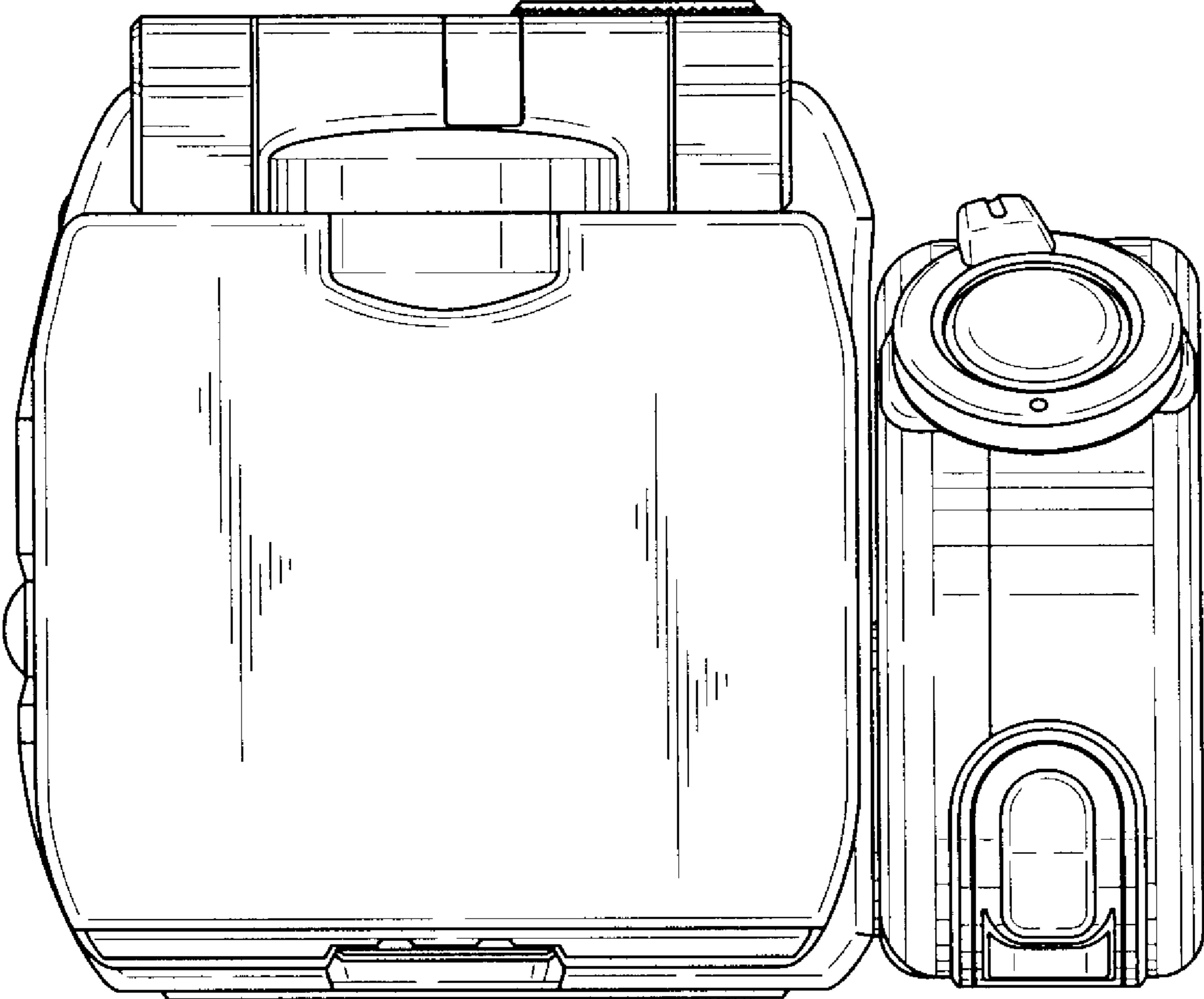


FIG. 4

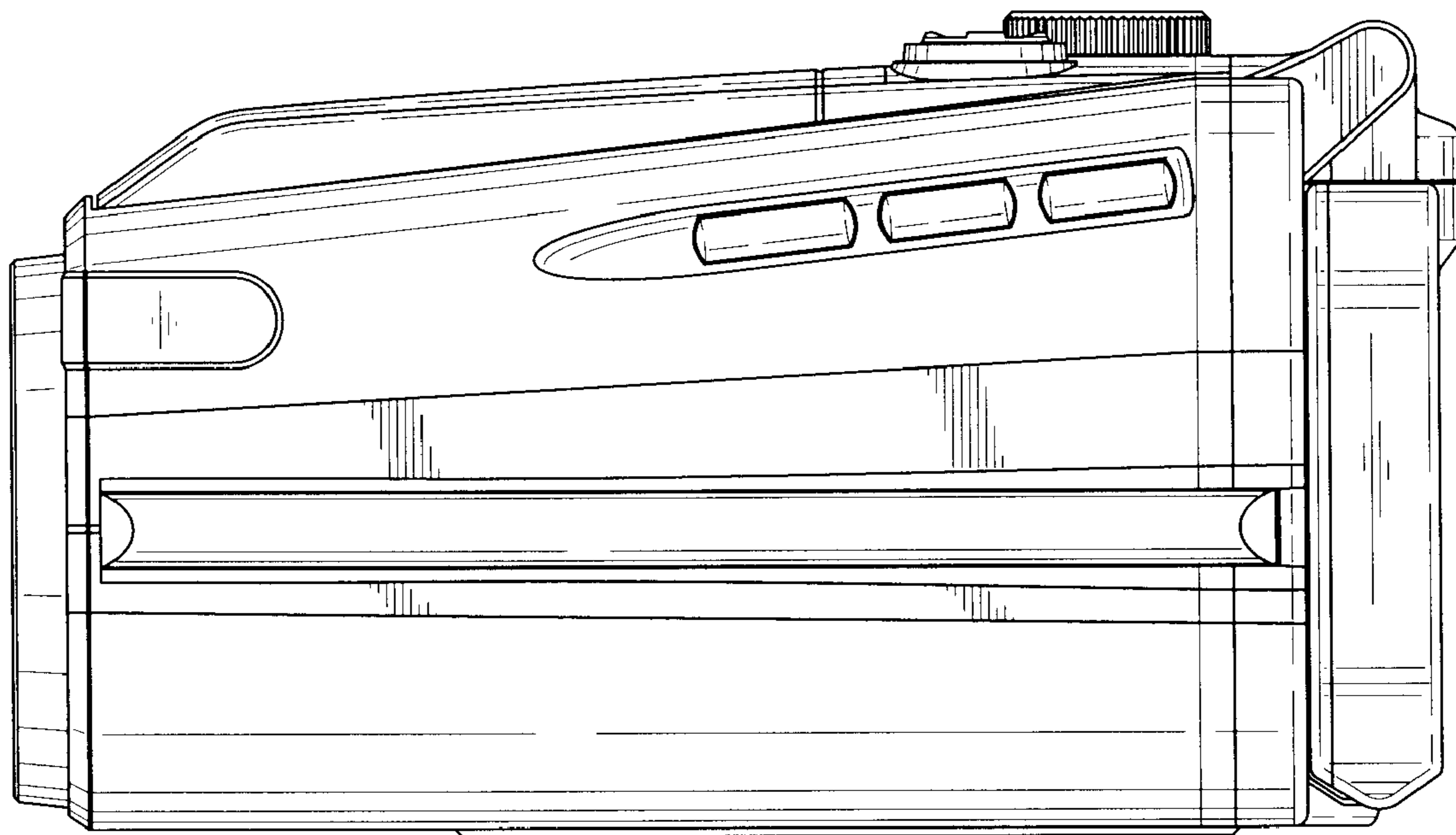


FIG. 5

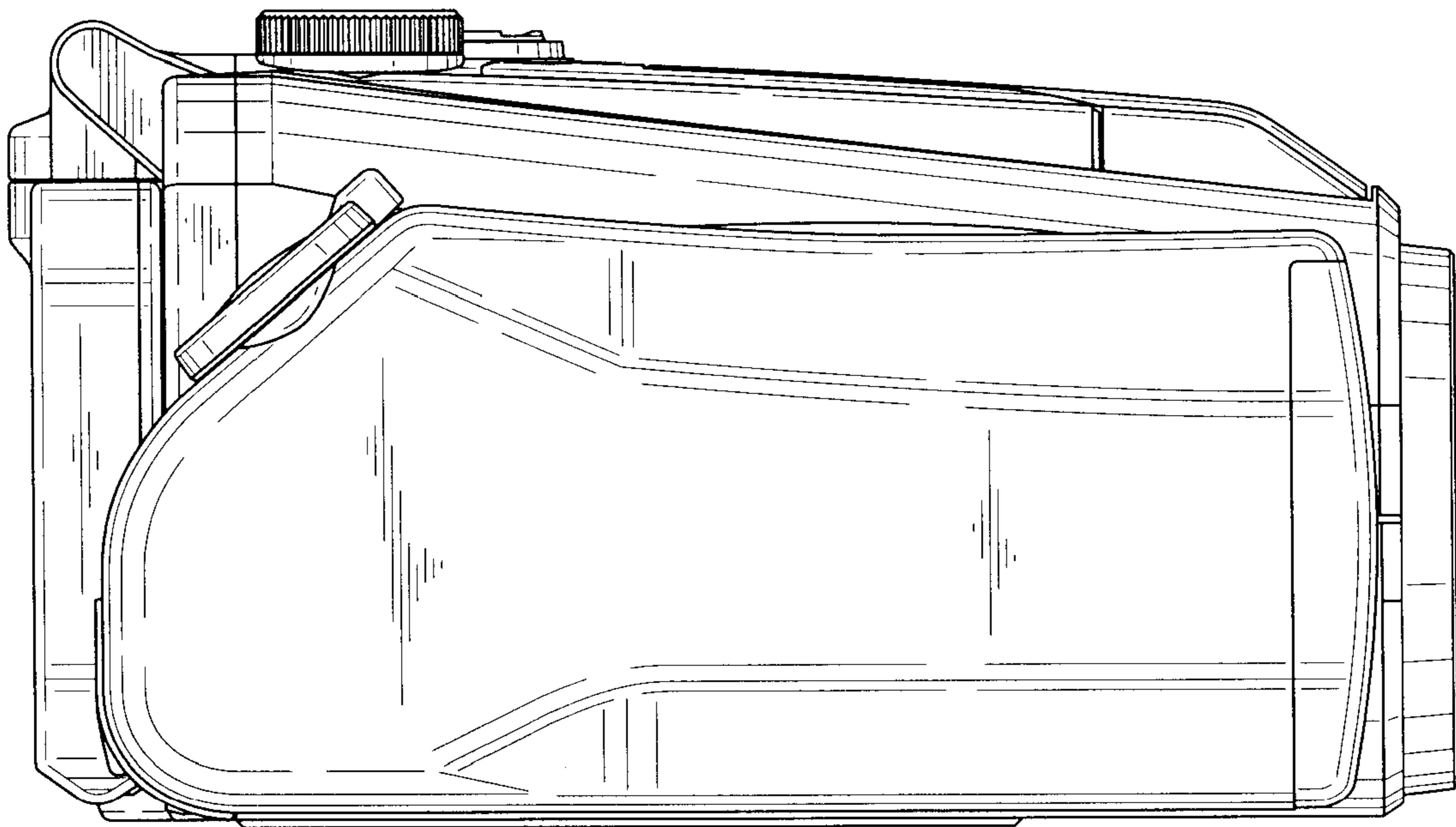


FIG. 6

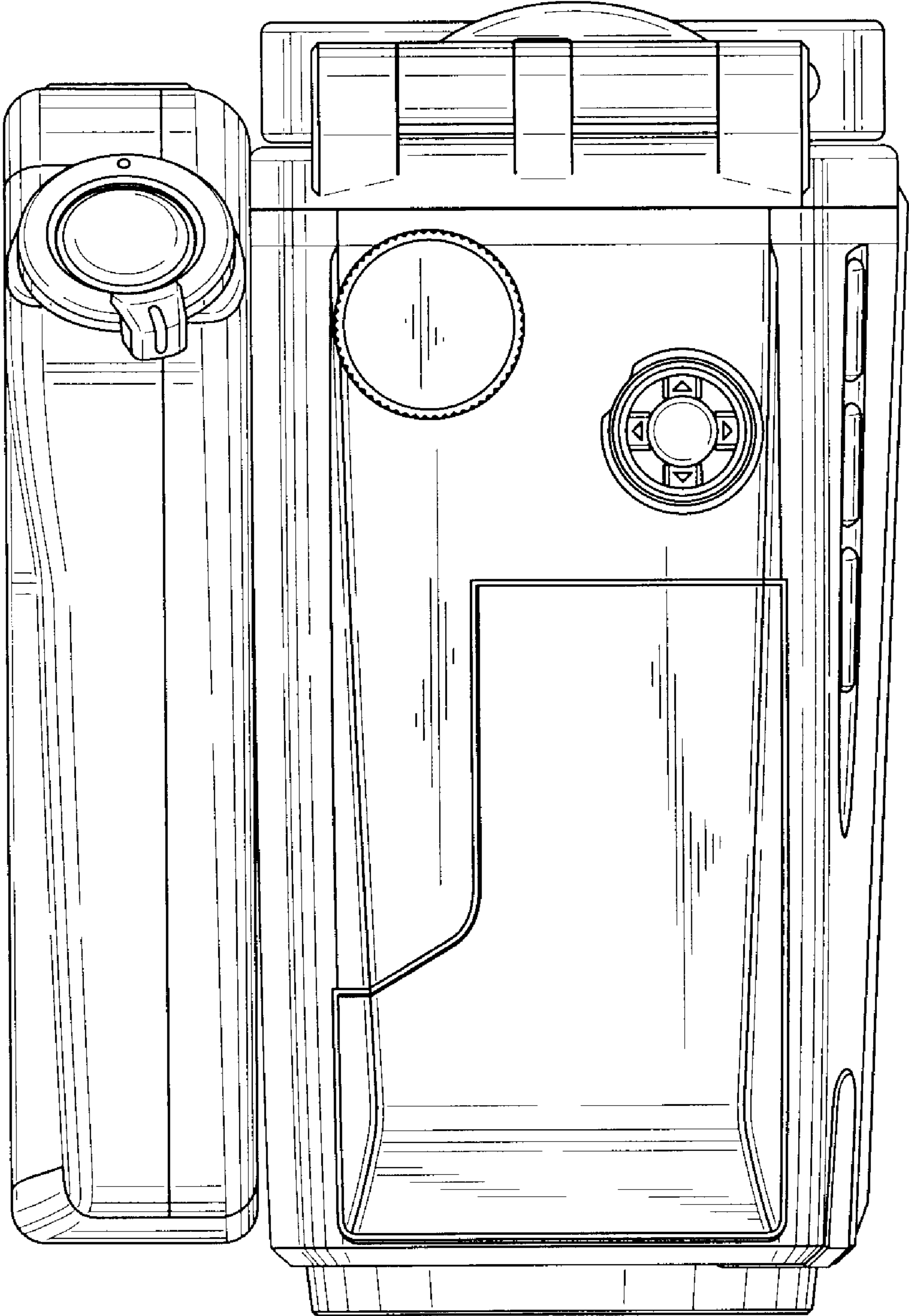


FIG. 7

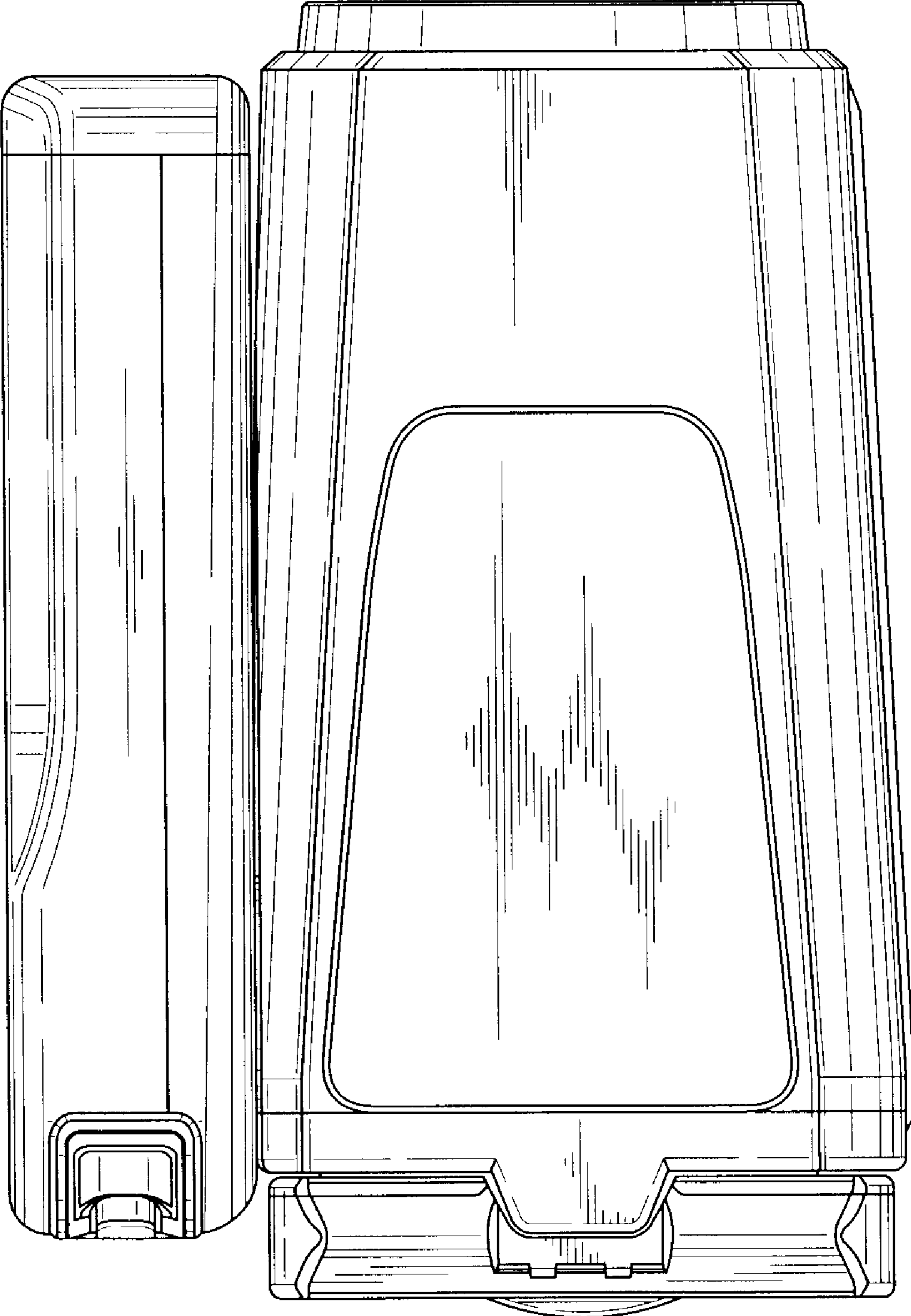


FIG. 8

