



US00D517103S

(12) **United States Design Patent**
Ribeiro

(10) **Patent No.:** **US D517,103 S**
(45) **Date of Patent:** **** Mar. 14, 2006**

(54) **GEOMETRIC ICE FORM SYSTEM**

D360,532 S * 7/1995 Suneborn D15/90

(76) **Inventor:** **Marcio Anselmo Ribeiro**, Rua
Altamiro Guimaraes, 1094-Oficinas,
Tubarao SC (BR), 88702-100

* cited by examiner

Primary Examiner—Mitchell Siegel
(74) *Attorney, Agent, or Firm*—Hedman & Costigan, P.C.

(**) **Term:** **14 Years**

(57) **CLAIM**

(21) **Appl. No.:** **29/182,736**

The ornamental design for a geometric ice form system, as shown and described.

(22) **Filed:** **May 29, 2003**

DESCRIPTION

(51) **LOC (8) Cl.** **15-07**

(52) **U.S. Cl.** **D15/90**

(58) **Field of Classification Search** D15/89,
D15/90; 249/52, 119, 126, 127, 129, 130;
62/459, 462

FIG. 1 is a side elevational view thereof;
FIG. 2 is a top plan view thereof;
FIG. 3 is a bottom plan view thereof;
FIG. 4 is an end view thereof;
FIG. 5 is an opposite end view thereof;
FIG. 6 is a perspective view thereof;
FIG. 7 is an exploded perspective view thereof;
FIG. 8 is a perspective view thereof;
FIG. 9 is a perspective view thereof; and,
FIG. 10 is a perspective view thereof.

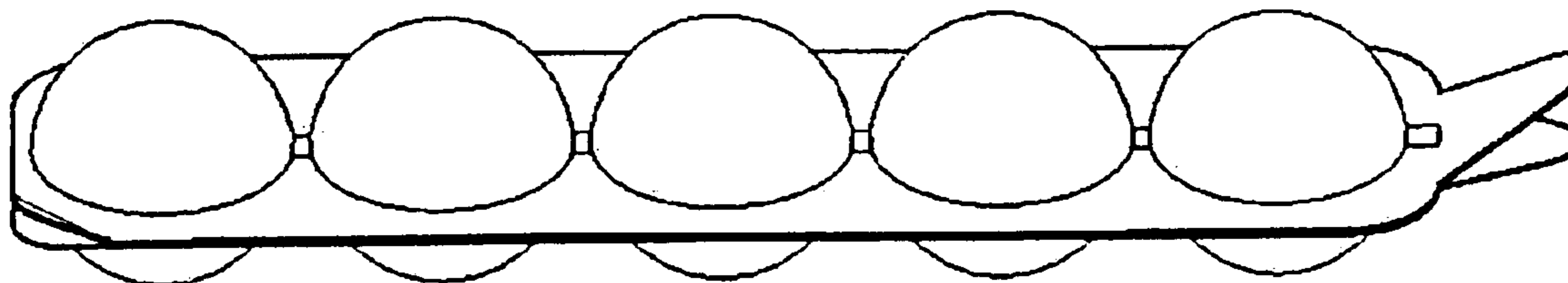
See application file for complete search history.

(56) **References Cited**

U.S. PATENT DOCUMENTS

850,811 A * 4/1907 Bailey 249/52
D348,473 S * 7/1994 Griffin, Sr. D15/90

1 Claim, 10 Drawing Sheets



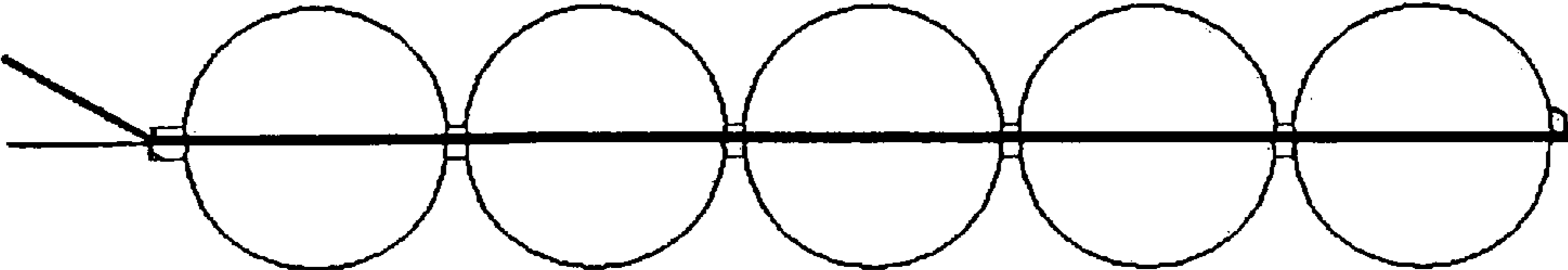


FIG. 1

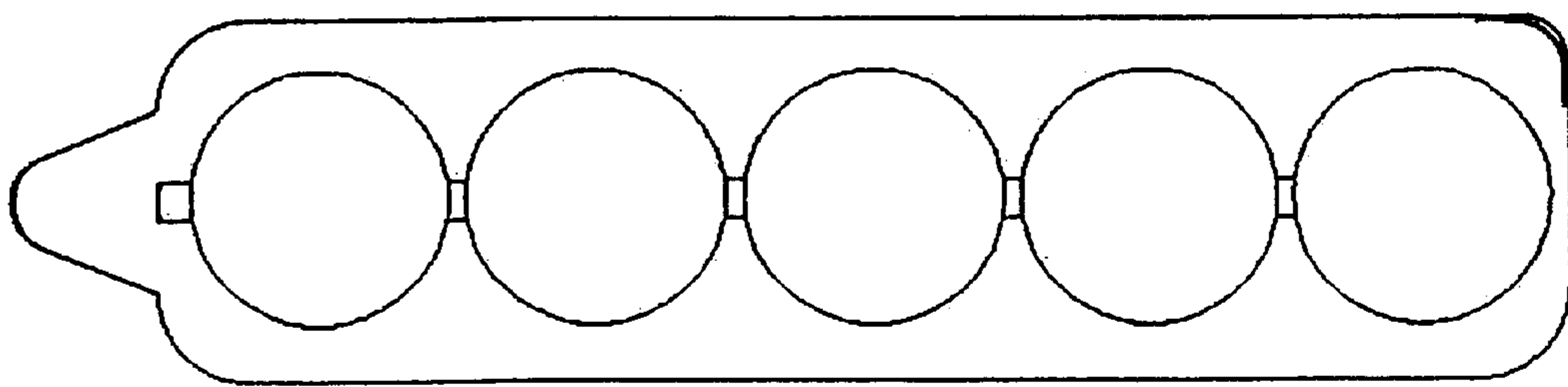


FIG. 2

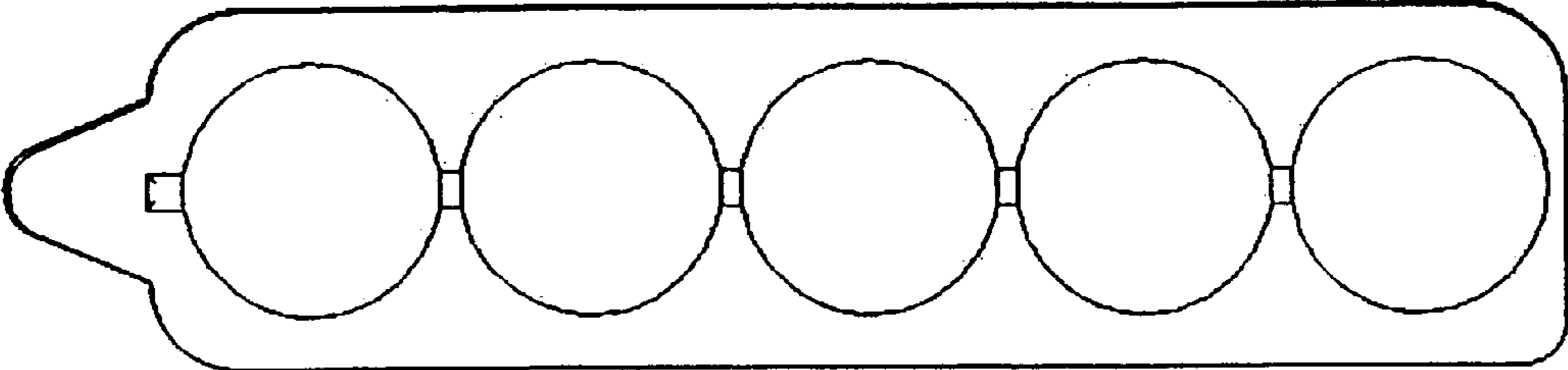


FIG. 3

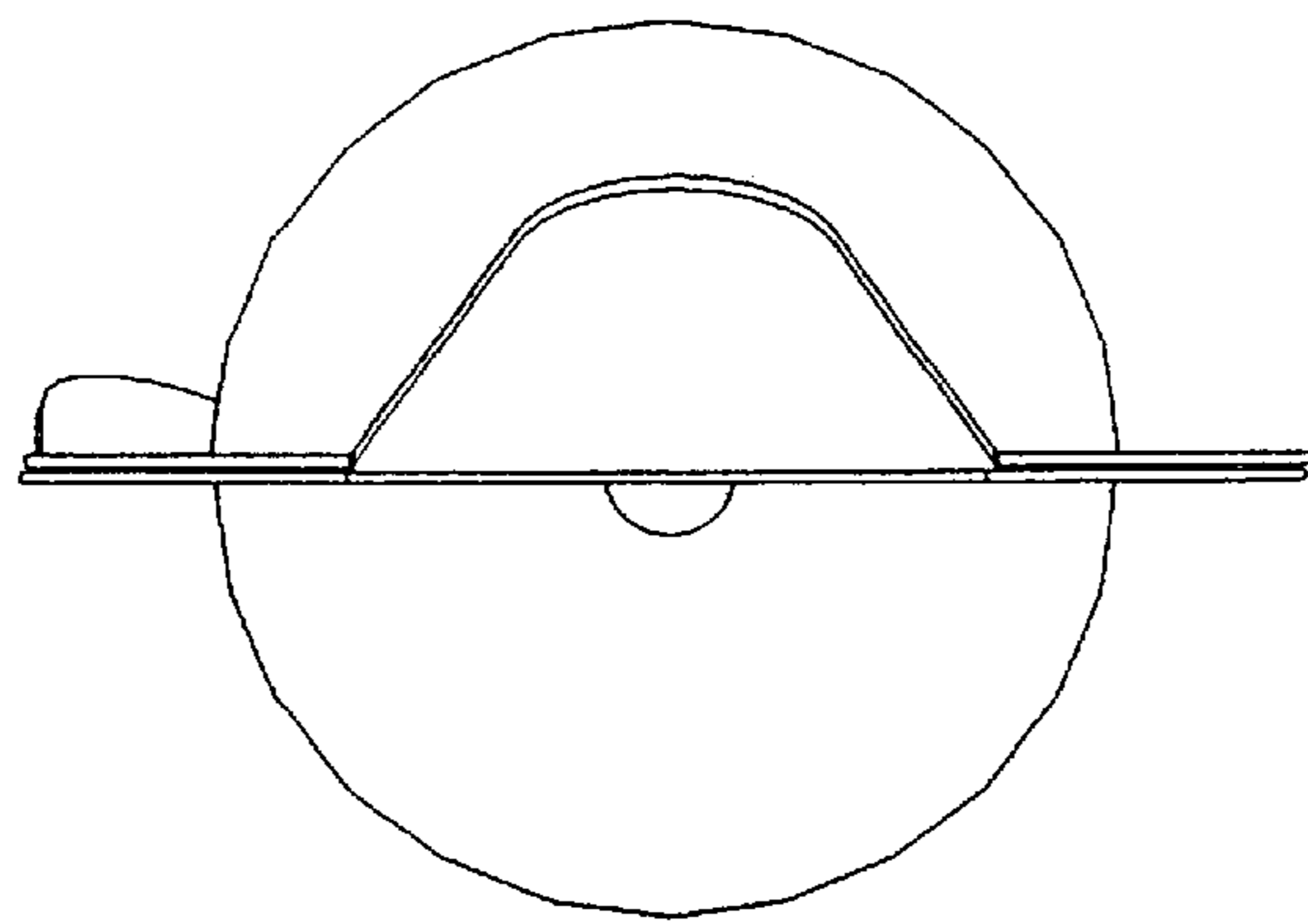


FIG. 4

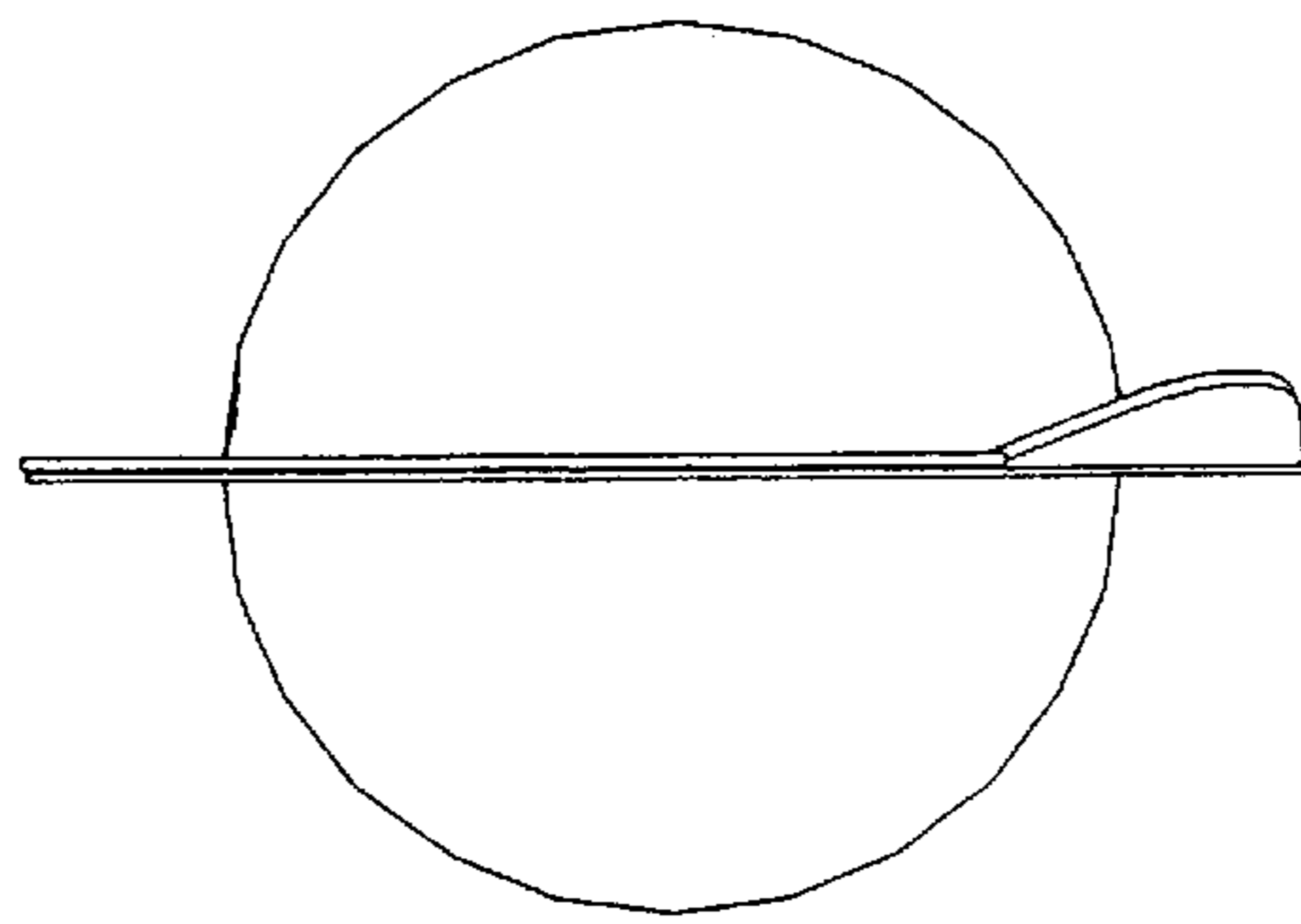


FIG. 5

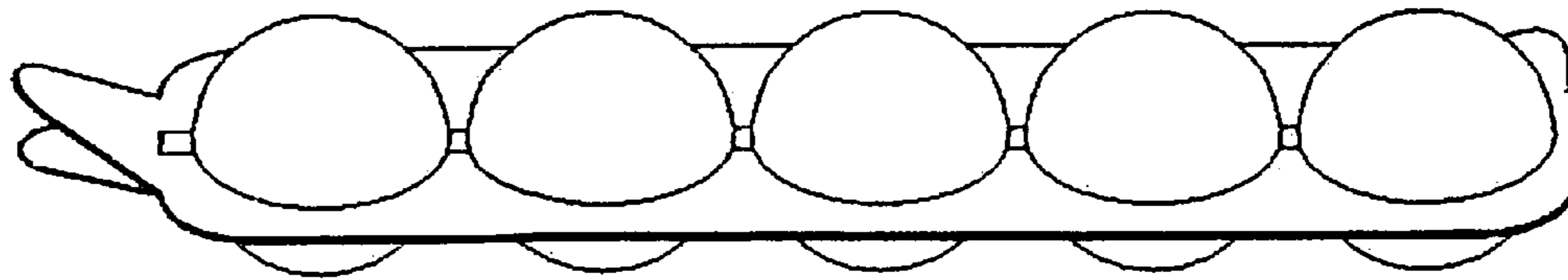


FIG. 6

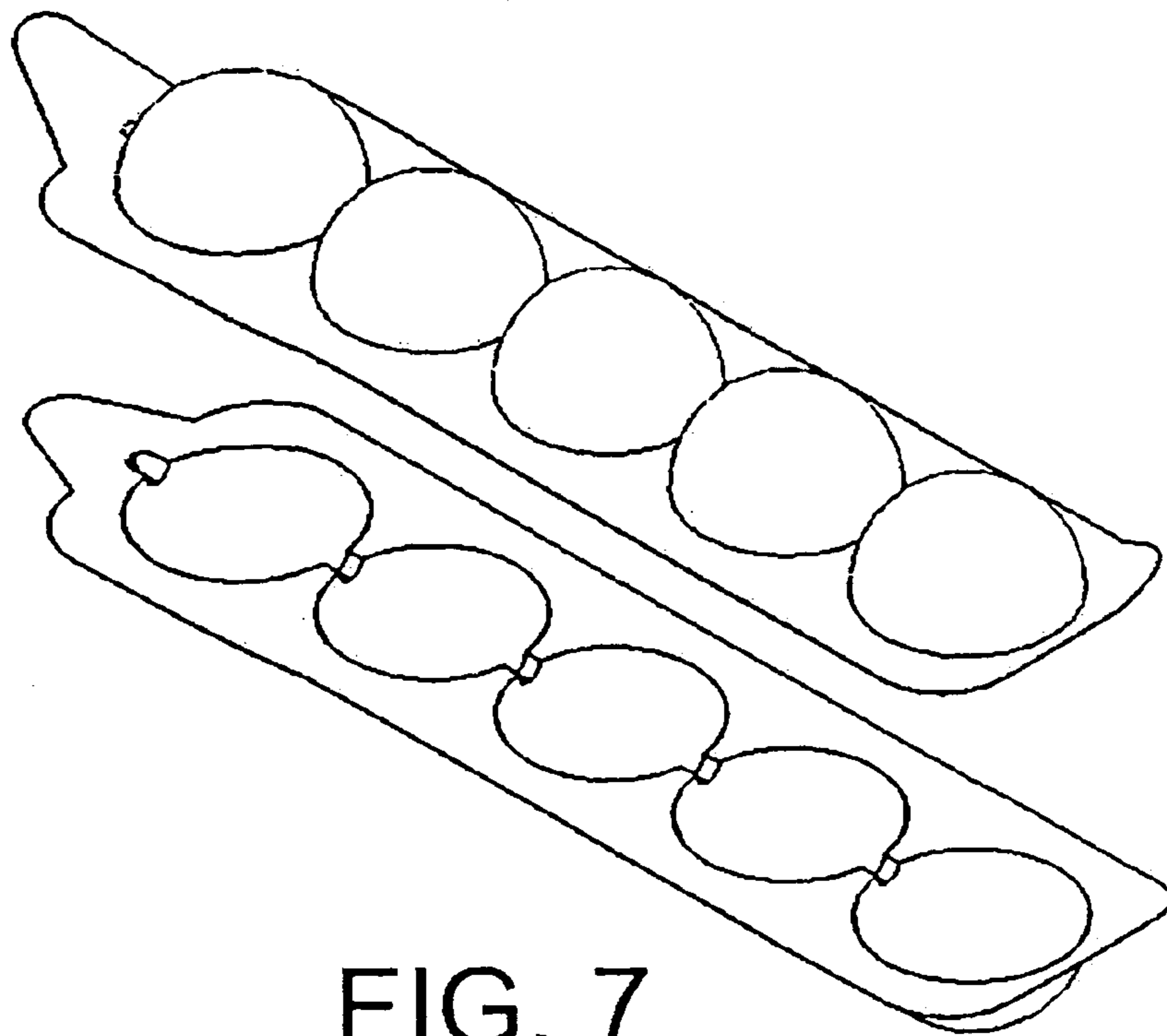


FIG. 7

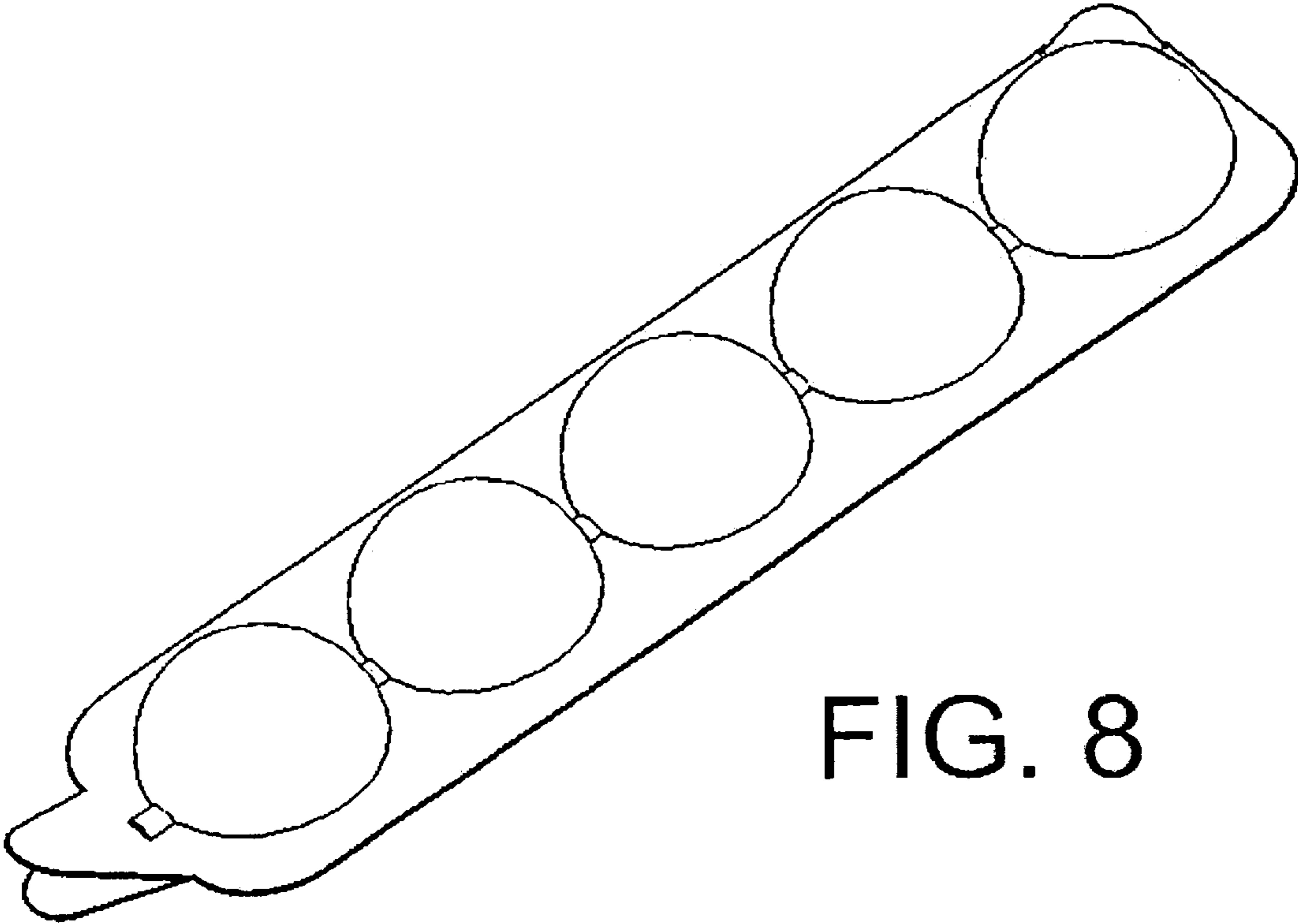


FIG. 8

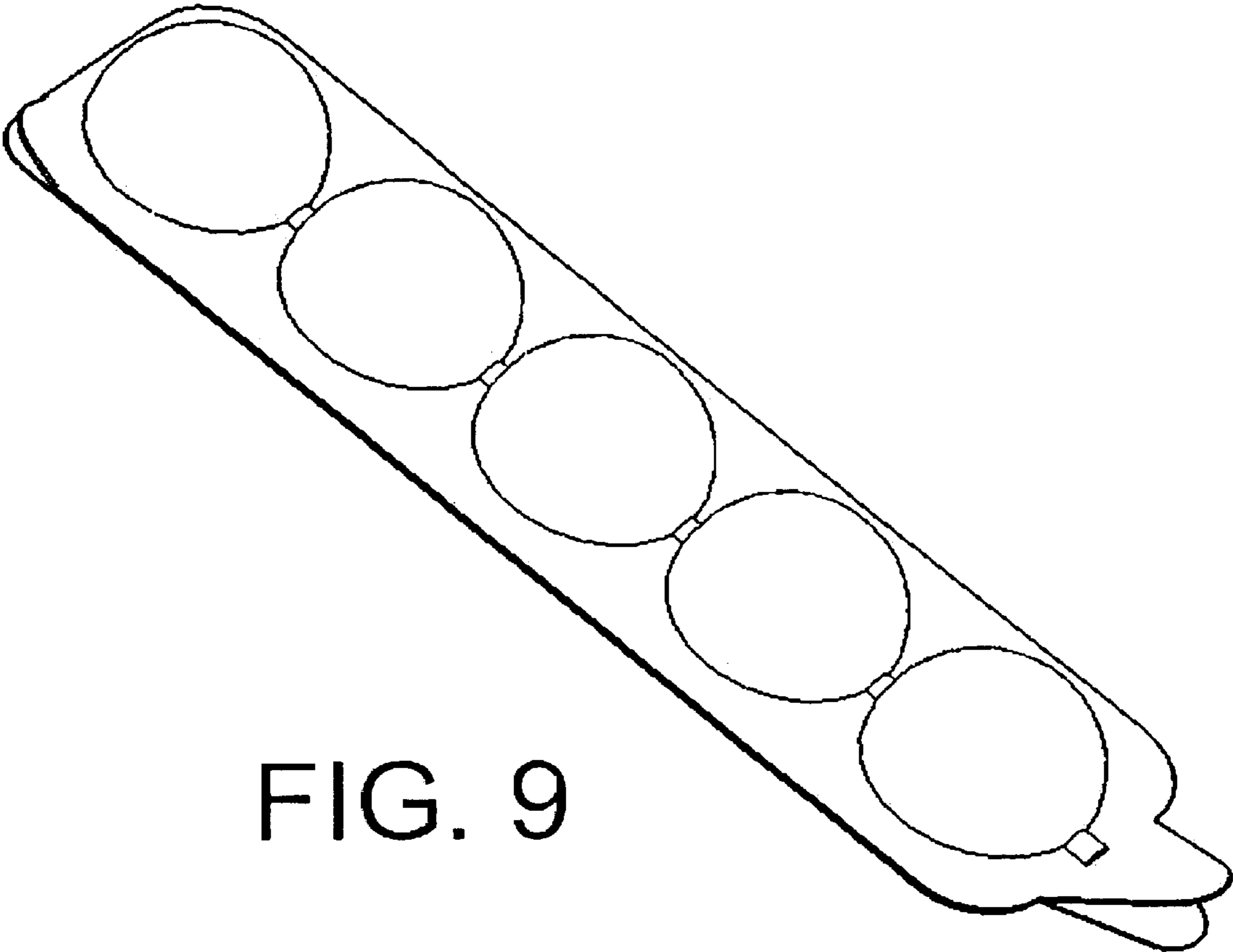


FIG. 9

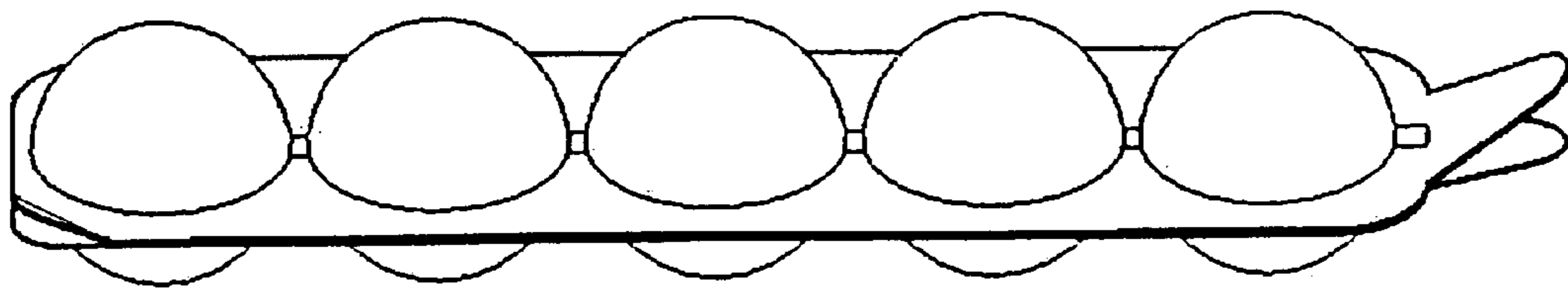


FIG. 10