



US00D517098S

(12) **United States Design Patent**
Wilson

(10) **Patent No.:** **US D517,098 S**
(45) **Date of Patent:** **** Mar. 14, 2006**

- (54) **REFRIGERATED MERCHANDISING DISPLAY UNIT**
- (75) Inventor: **Woodrow Wilson**, Charlottetown (CA)
- (73) Assignee: **FoodTrust of Prince Edward Island Limited**, Charlottetown (CA)
- (**) Term: **14 Years**

D385,433 S 10/1997 Baluk et al.
 D447,890 S * 9/2001 Saunders D6/475
 6,298,672 B1 10/2001 Valicoff
 6,401,399 B1 6/2002 Roche et al.
 6,519,962 B1 2/2003 Schuetter

- (21) Appl. No.: **29/202,716**
- (22) Filed: **Apr. 2, 2004**
- (30) **Foreign Application Priority Data**

FOREIGN PATENT DOCUMENTS

CA 17124 9/1949
 CA 51418 5/1983

* cited by examiner

Primary Examiner—Stella Reid
Assistant Examiner—Shanda C. Hill
 (74) *Attorney, Agent, or Firm*—Kirschstein, et al.

Apr. 1, 2004 (CA) 106439

- (51) **LOC (8) Cl.** **15-07**
- (52) **U.S. Cl.** **D15/85**
- (58) **Field of Classification Search** D15/79,
 D15/81, 85–87, 89; D6/437, 474, 475, 476;
 312/116, 117, 401; 220/592.01, 592.02, 592.04;
 62/246–255, 337, 3.6
 See application file for complete search history.

(57) **CLAIM**

The ornamental design for a refrigerated merchandising display unit, as shown and described.

(56) **References Cited**

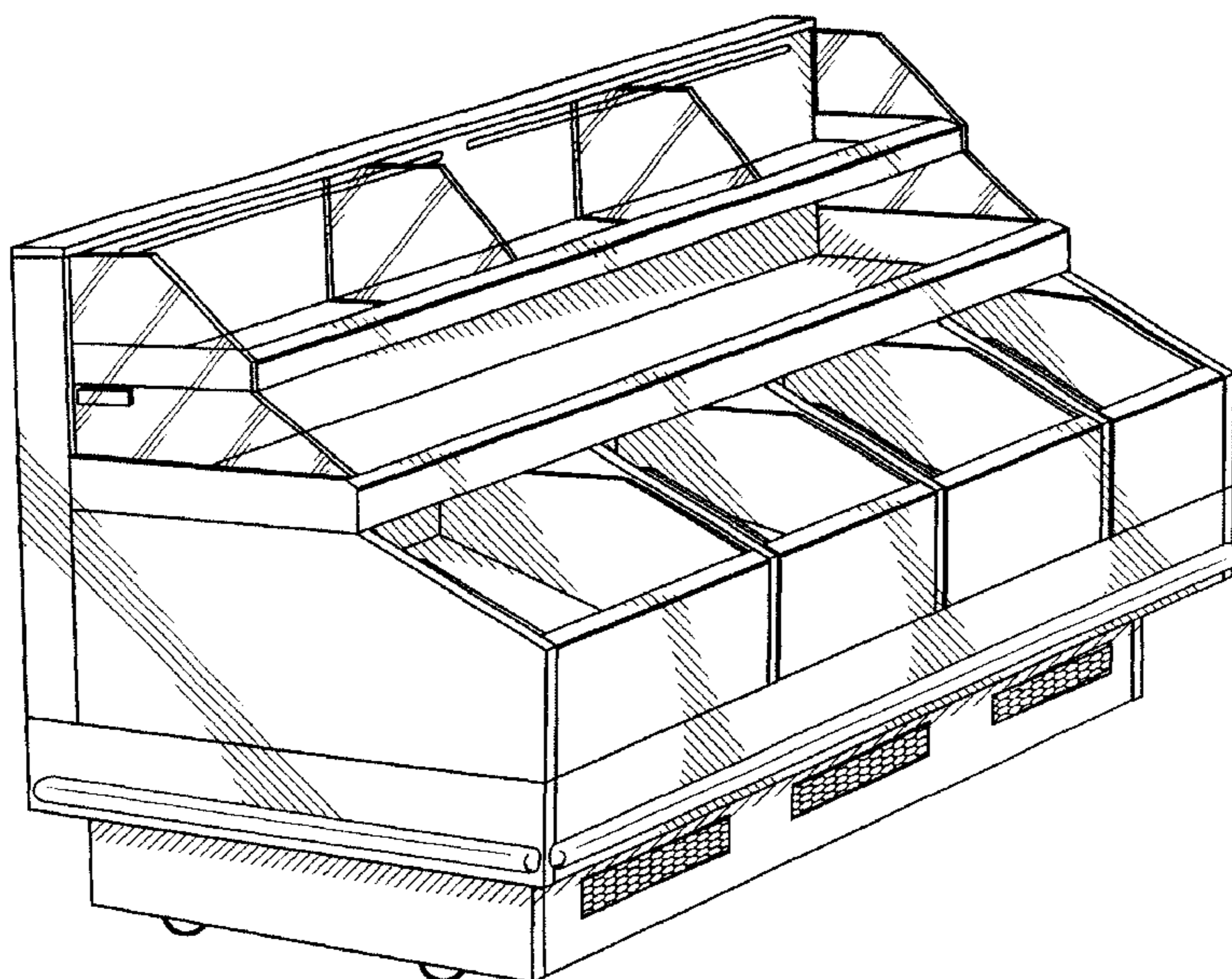
U.S. PATENT DOCUMENTS

D34,100 S * 2/1901 Long D6/476
 1,709,080 A * 4/1929 Krueger 312/117
 D132,551 S * 5/1942 Slingsby D6/474
 D176,418 S * 12/1955 Koval D6/437
 D198,611 S * 7/1964 Brach D6/437
 D220,148 S * 3/1971 Leath et al. D6/437
 4,161,868 A 7/1979 Kennedy et al.
 D291,166 S * 8/1987 Morris D6/476
 D346,079 S * 4/1994 Farber D6/437
 5,505,009 A 4/1996 Stein et al.

DESCRIPTION

FIG. 1 is a left perspective view of a refrigerated merchandising display unit, showing my new design;
 FIG. 2 is a front elevation thereof;
 FIG. 3 is a rear elevation thereof;
 FIG. 4 is a left side elevation thereof;
 FIG. 5 is a right side elevation thereof;
 FIG. 6 is a top plan thereof;
 FIG. 7 is a bottom plan thereof; and,
 FIG. 8 is a left perspective view of the refrigerated merchandising display unit, shown with an awning frame attached.
 The broken lines shown on the awning frame are for illustrative purposes only and form no part of the claimed design.

1 Claim, 7 Drawing Sheets



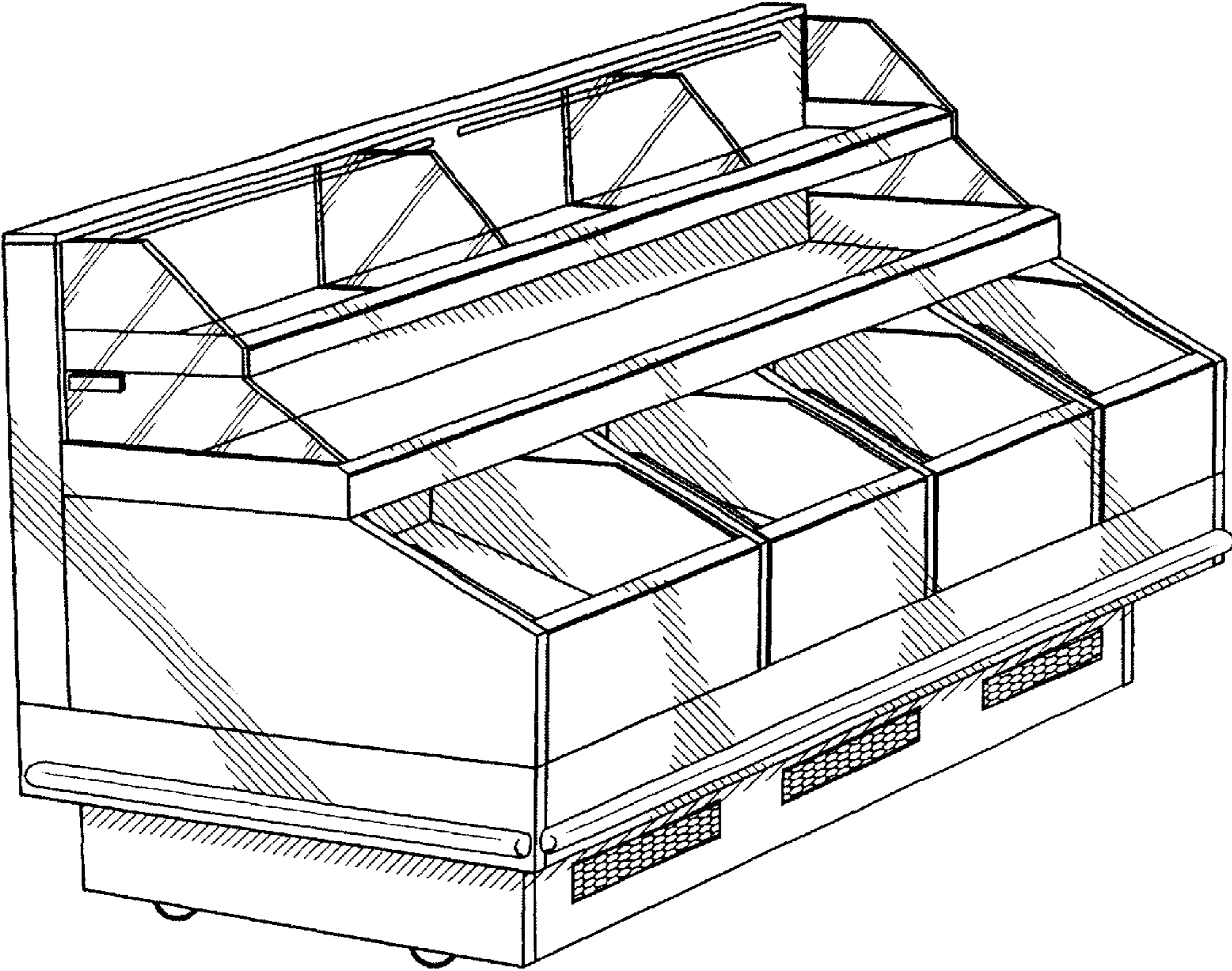


FIG. 1

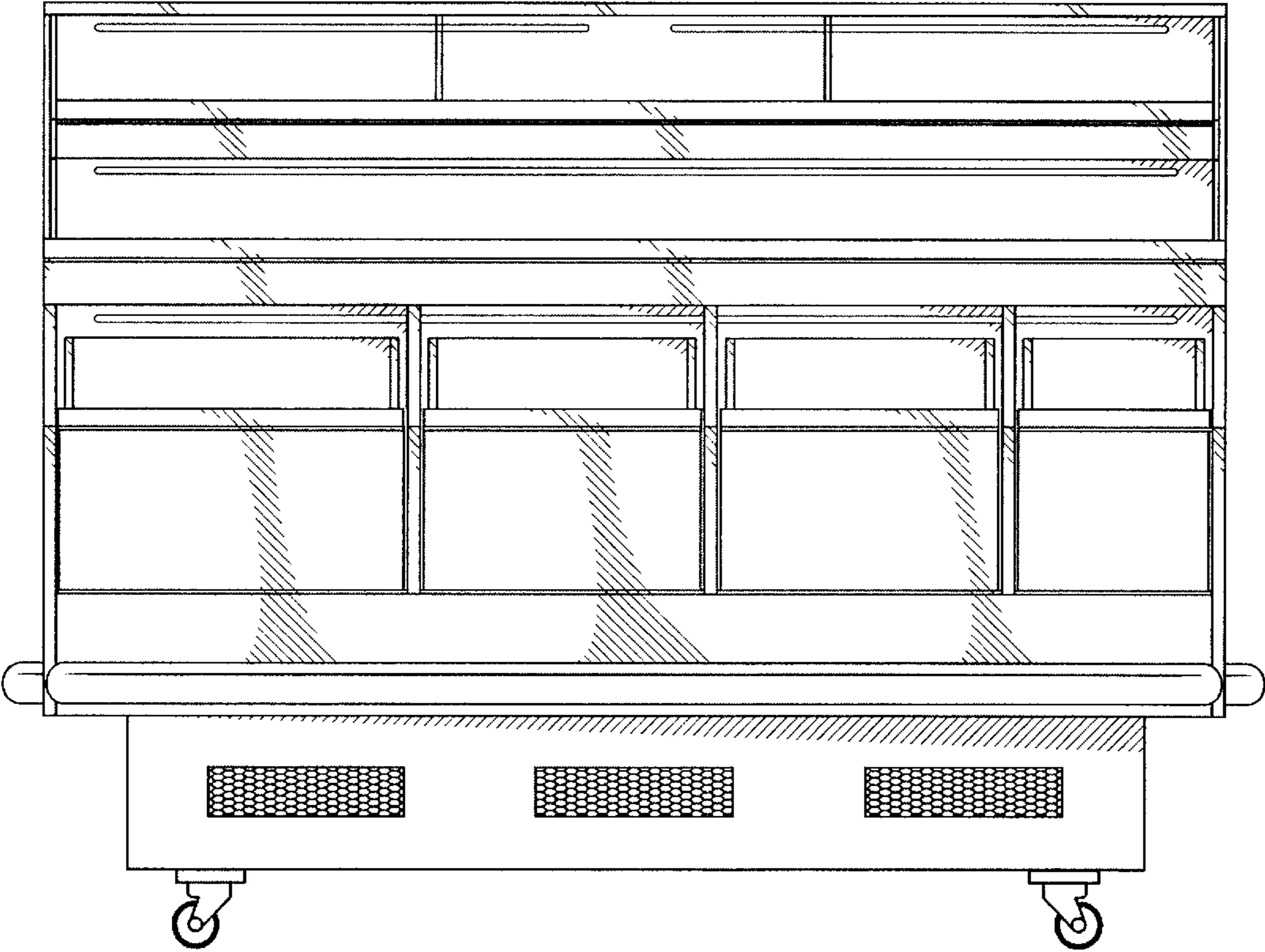


FIG. 2

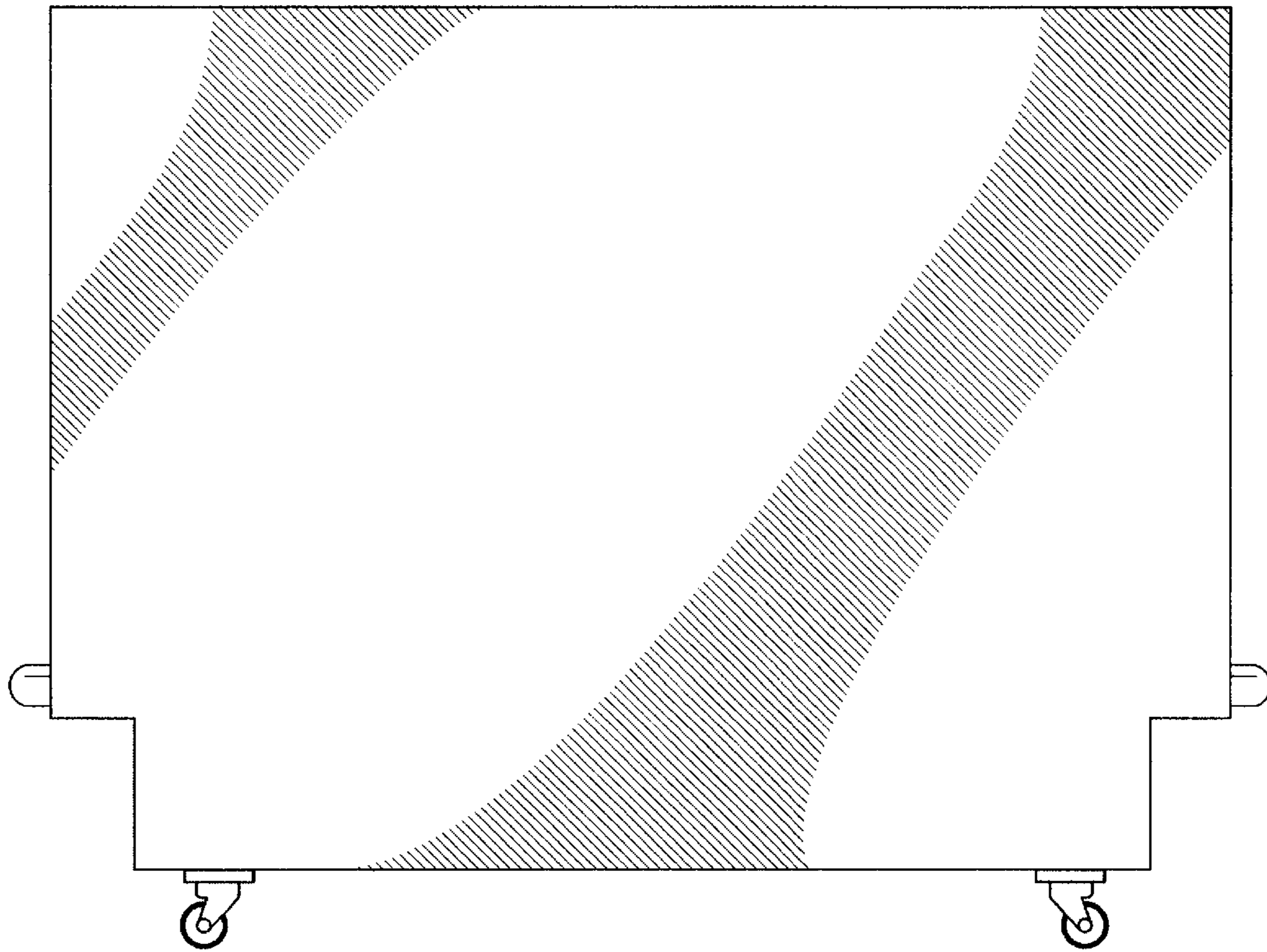


FIG. 3

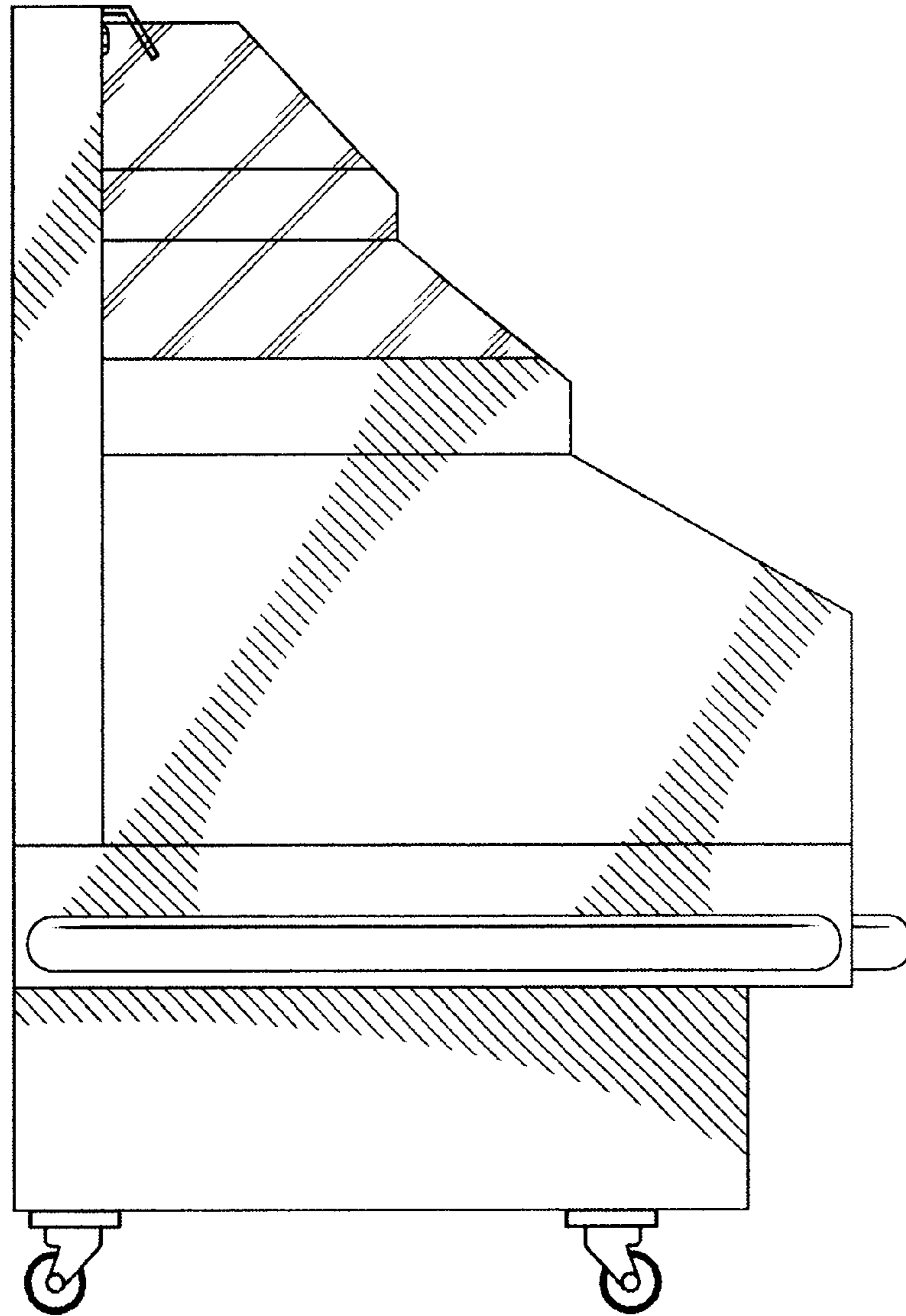


FIG. 4

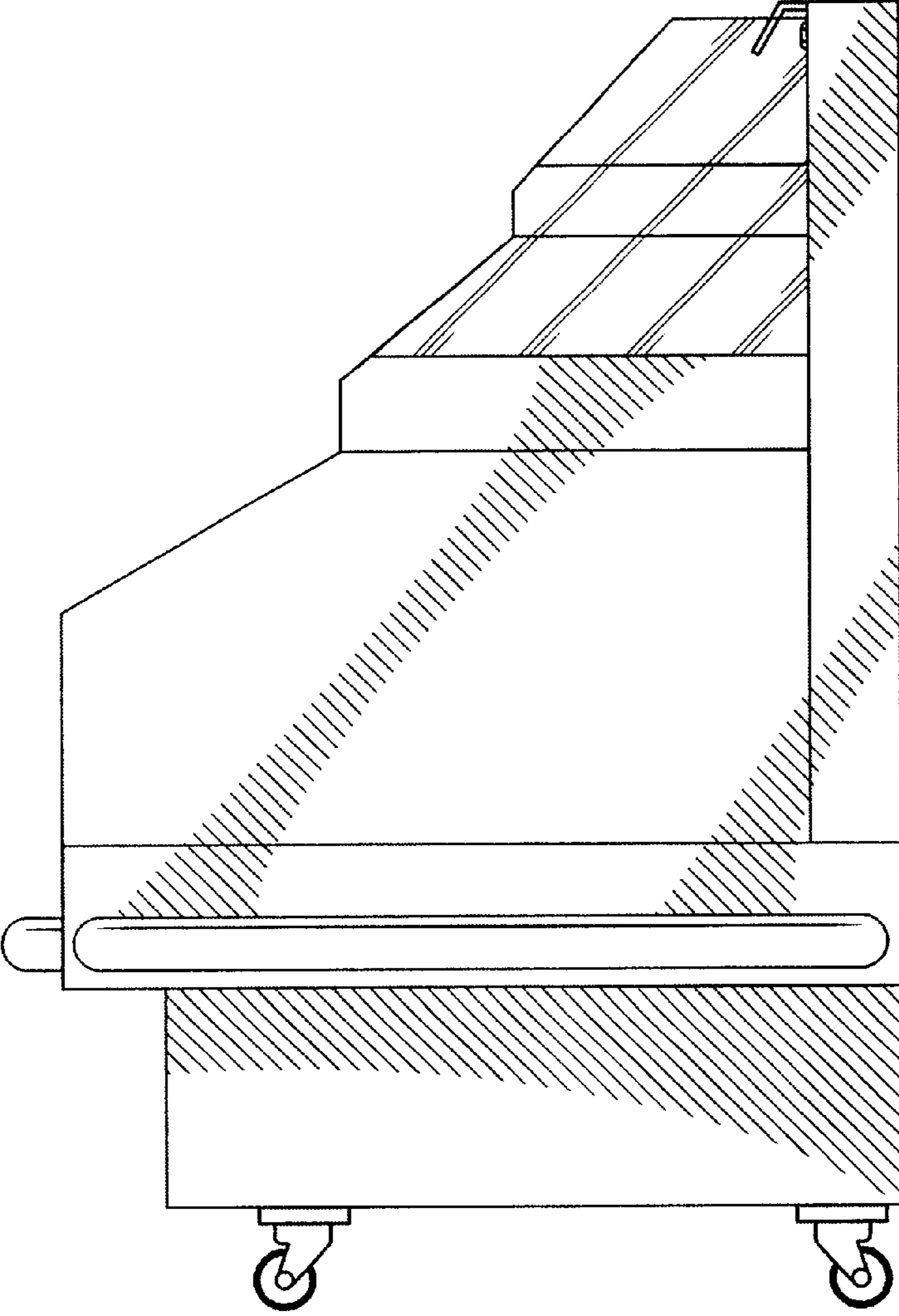


FIG. 5

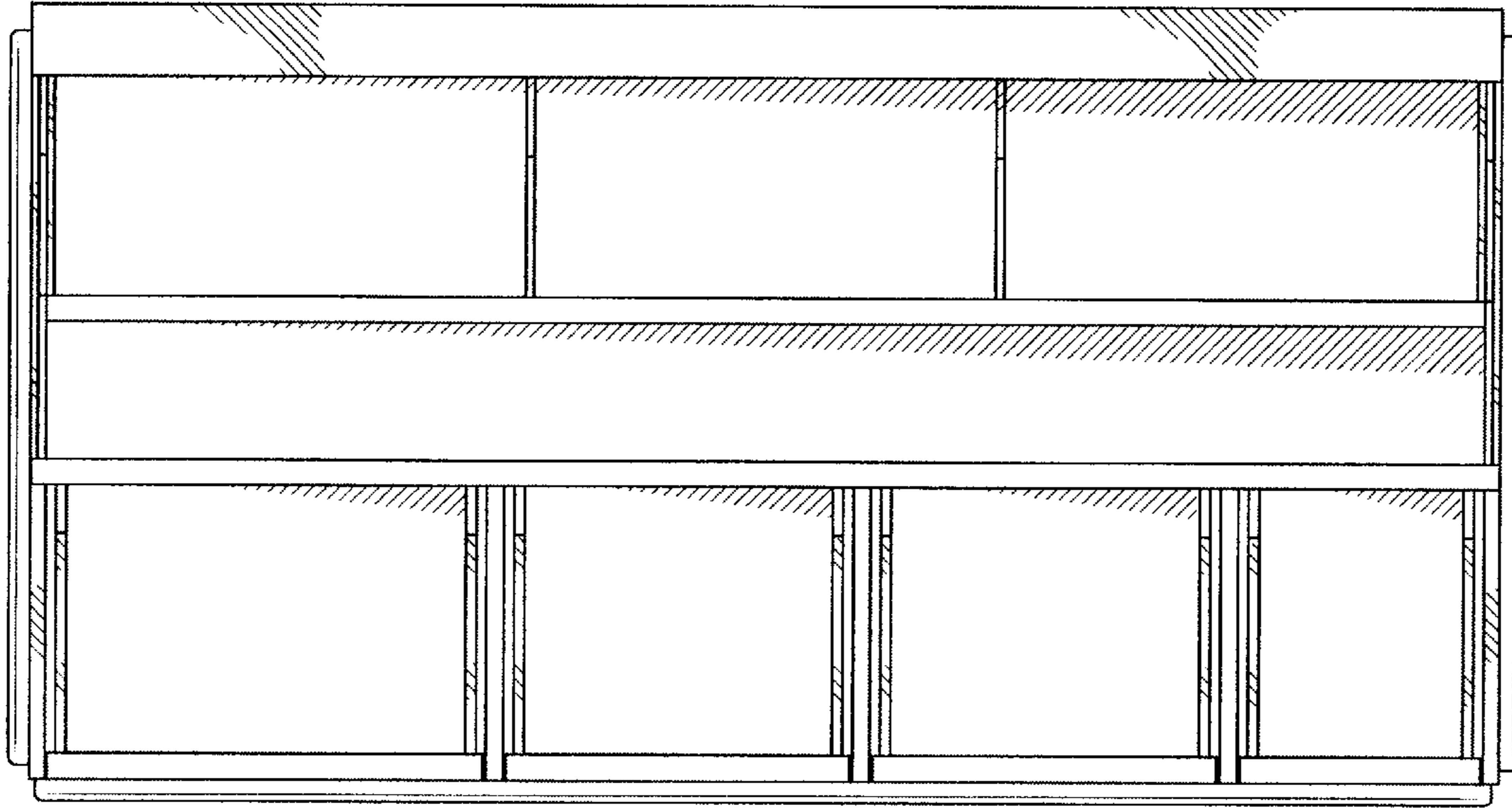


FIG. 6

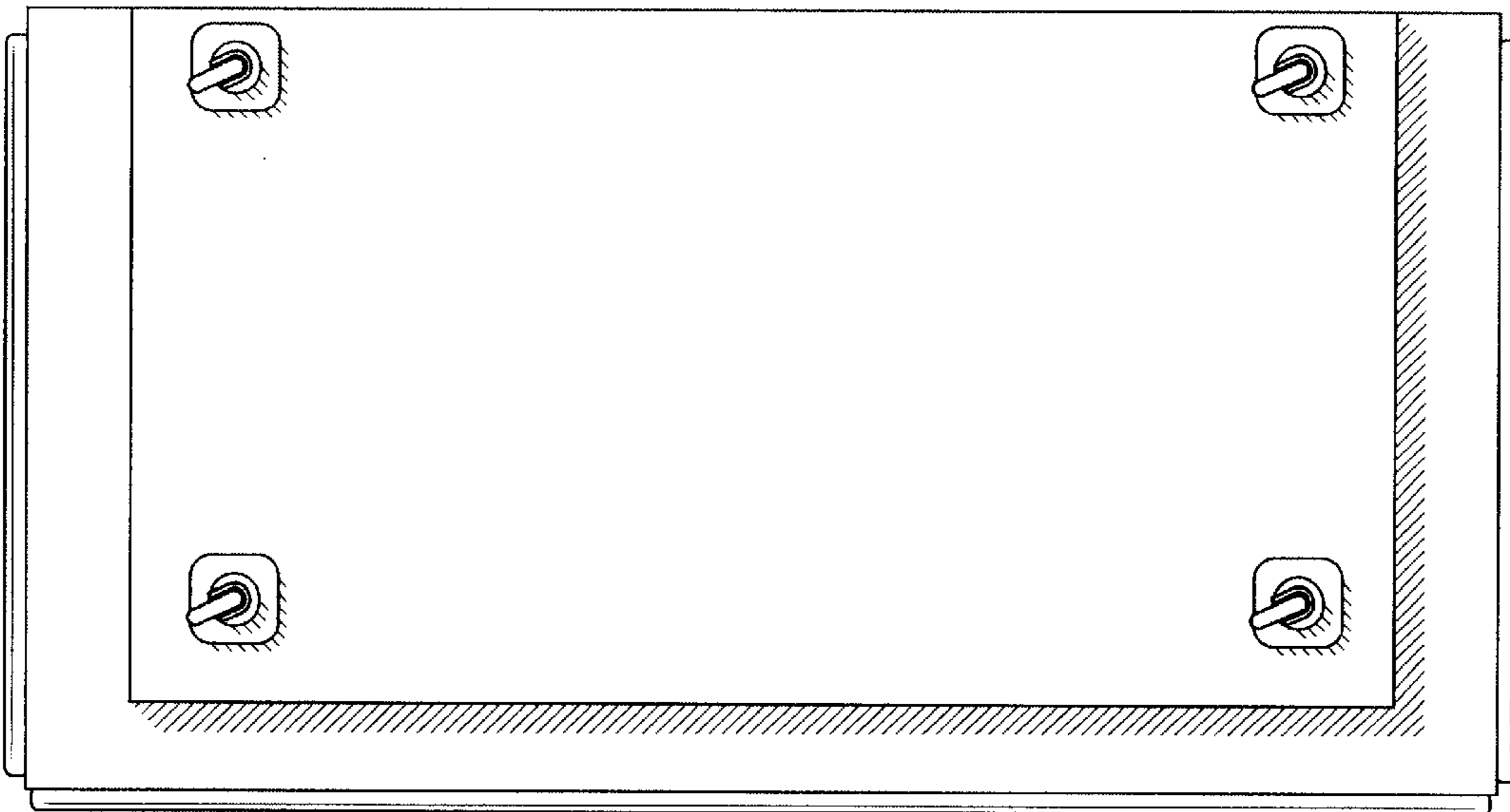


FIG. 7

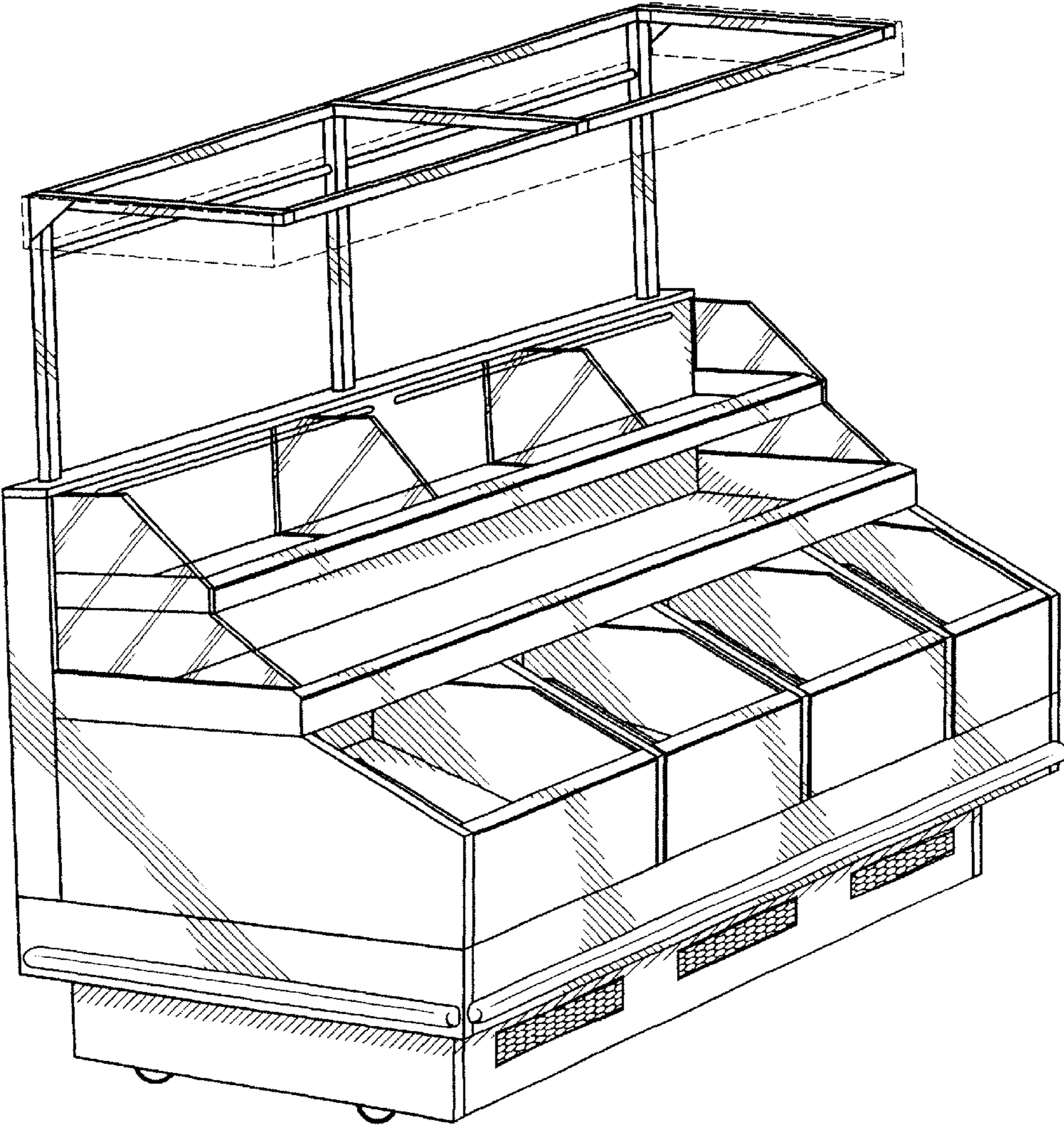


FIG. 8