



US00D517097S

(12) **United States Design Patent**
Kuroki

(10) **Patent No.: US D517,097 S**
(45) **Date of Patent: ** Mar. 14, 2006**

(54) **SEWING MACHINE**

(75) **Inventor: Nobufusa Kuroki, Tokyo (JP)**

(73) **Assignee: Janome Sewing Machine Company Limited, Tokyo (JP)**

(**) **Term: 14 Years**

(21) **Appl. No.: 29/222,226**

(22) **Filed: Jan. 28, 2005**

(30) **Foreign Application Priority Data**

Aug. 5, 2004 (JP) 2004-023462

(51) **LOC (8) Cl. 15-06**

(52) **U.S. Cl. D15/69; D15/70**

(58) **Field of Classification Search D15/66-78;**
D21/527; 112/2, 63, 154, 217.1, 217.2, 217.3,
112/217.4, 256-261, 475.01
See application file for complete search history.

(56) **References Cited**

U.S. PATENT DOCUMENTS

D434,426 S * 11/2000 Kuroki D15/69
D435,052 S * 12/2000 Kuroki D15/70
D450,722 S * 11/2001 Kawaguchi D15/69
D459,737 S * 7/2002 Kuroki D15/69

D460,765 S * 7/2002 Kuroki D15/69
D474,208 S * 5/2003 Kawaguchi D15/69
D503,726 S * 4/2005 Iwai D15/69
D506,478 S * 6/2005 Kuroki D15/70
D507,583 S * 7/2005 Muto D15/70

OTHER PUBLICATIONS

U.S. Appl. No. 29/222,222 filed on Jan. 28, 2005.*

* cited by examiner

Primary Examiner—Nanda Bondade

Assistant Examiner—Shanda C. Hill

(74) *Attorney, Agent, or Firm*—Jacobson Holman PLLC

(57) **CLAIM**

The ornamental design for a sewing machine, as shown and described.

DESCRIPTION

FIG. 1 is a front perspective view showing my new design for a sewing machine,
FIG. 2 is a top view thereof;
FIG. 3 is a bottom view thereof;
FIG. 4 is a front view thereof;
FIG. 5 is a rear view thereof;
FIG. 6 is a left side view thereof; and,
FIG. 7 is a right side view thereof.

1 Claim, 4 Drawing Sheets

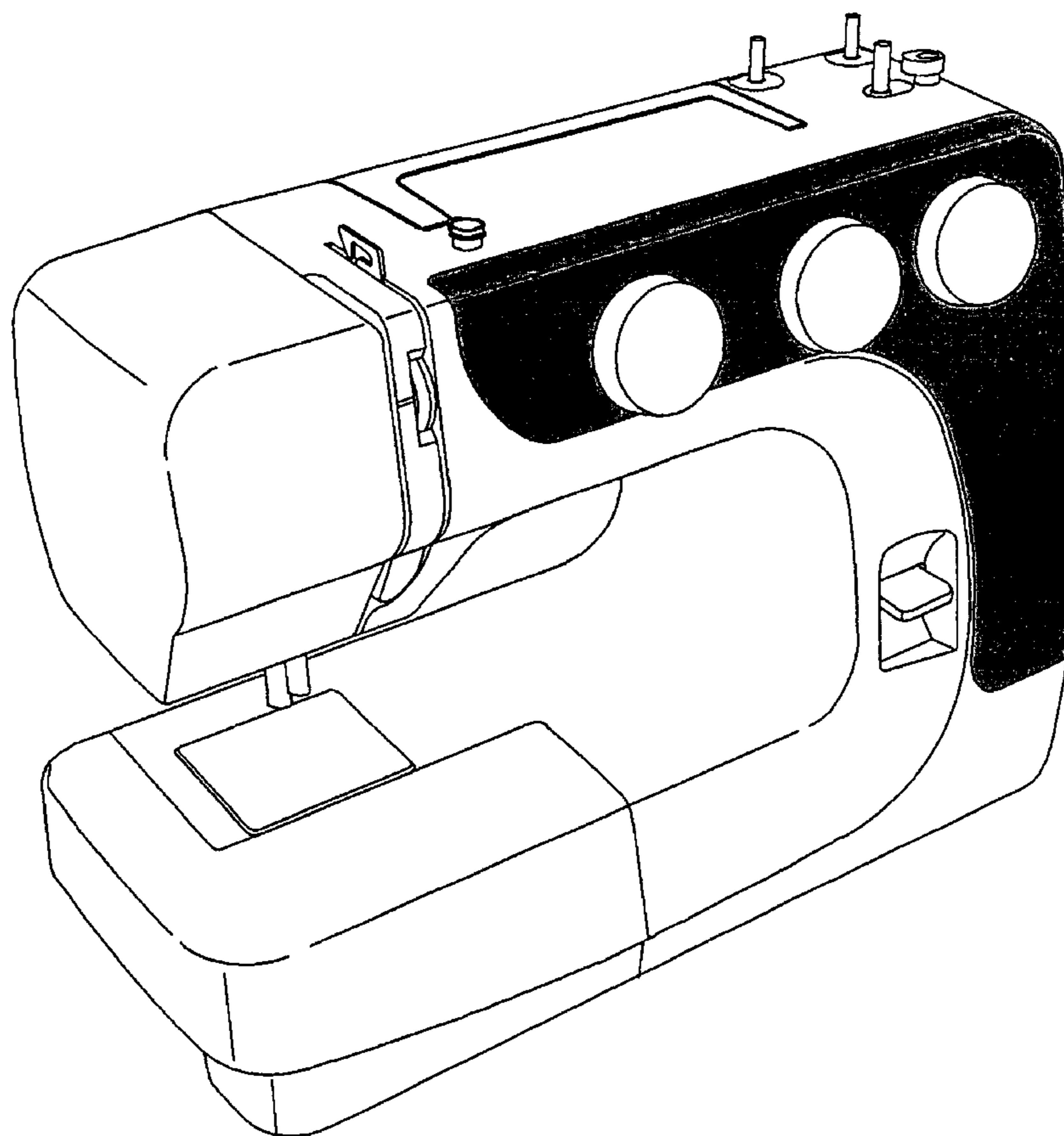


FIG. 1

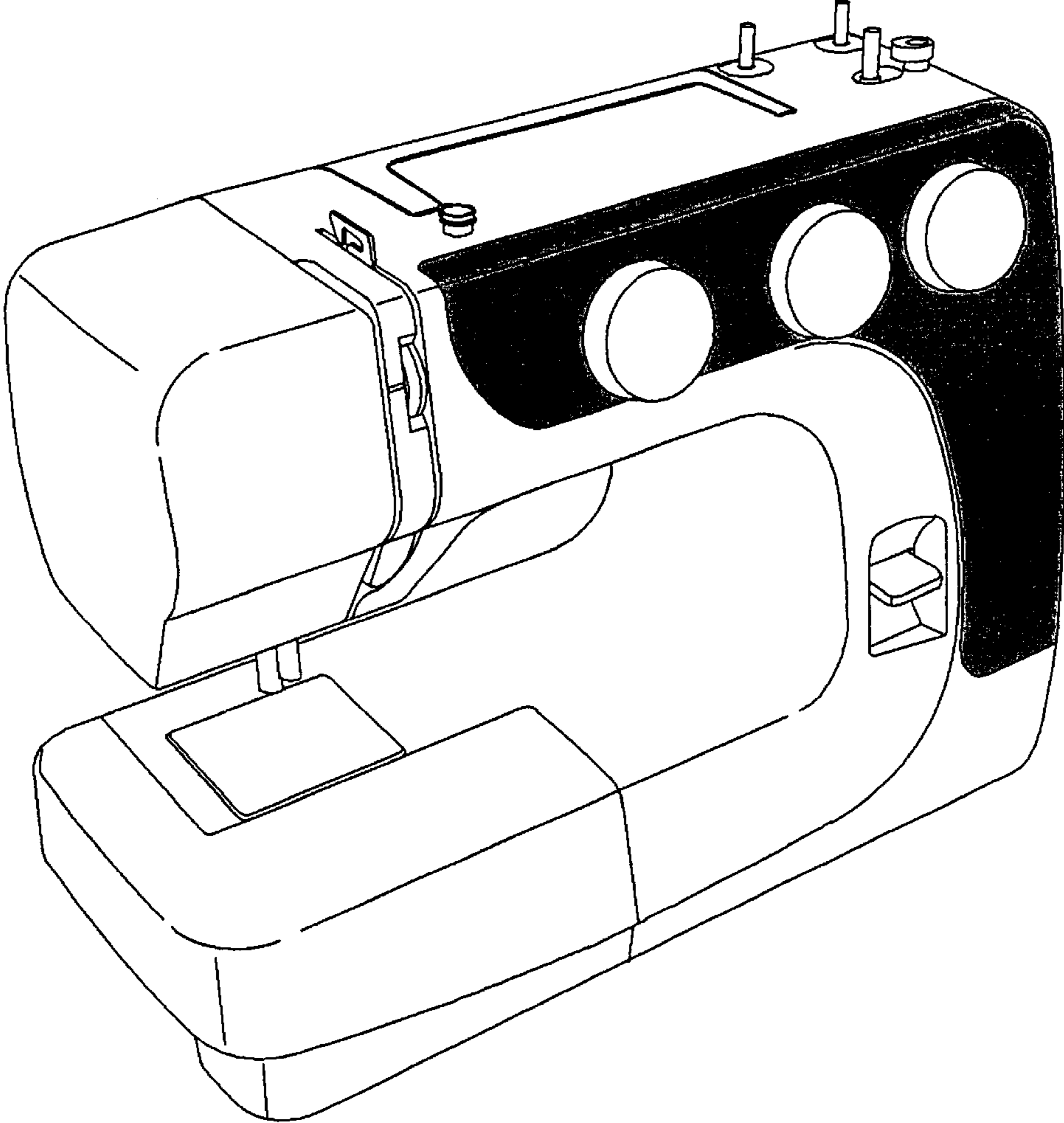


FIG. 2

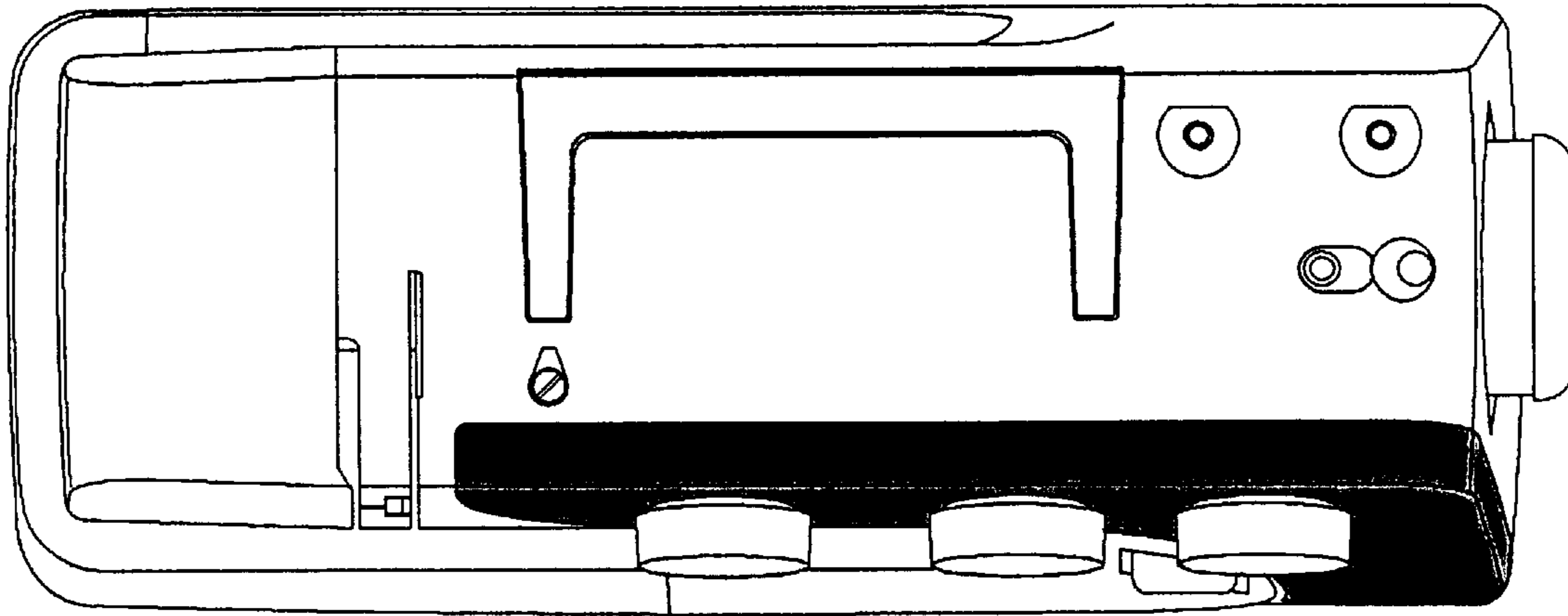


FIG. 3

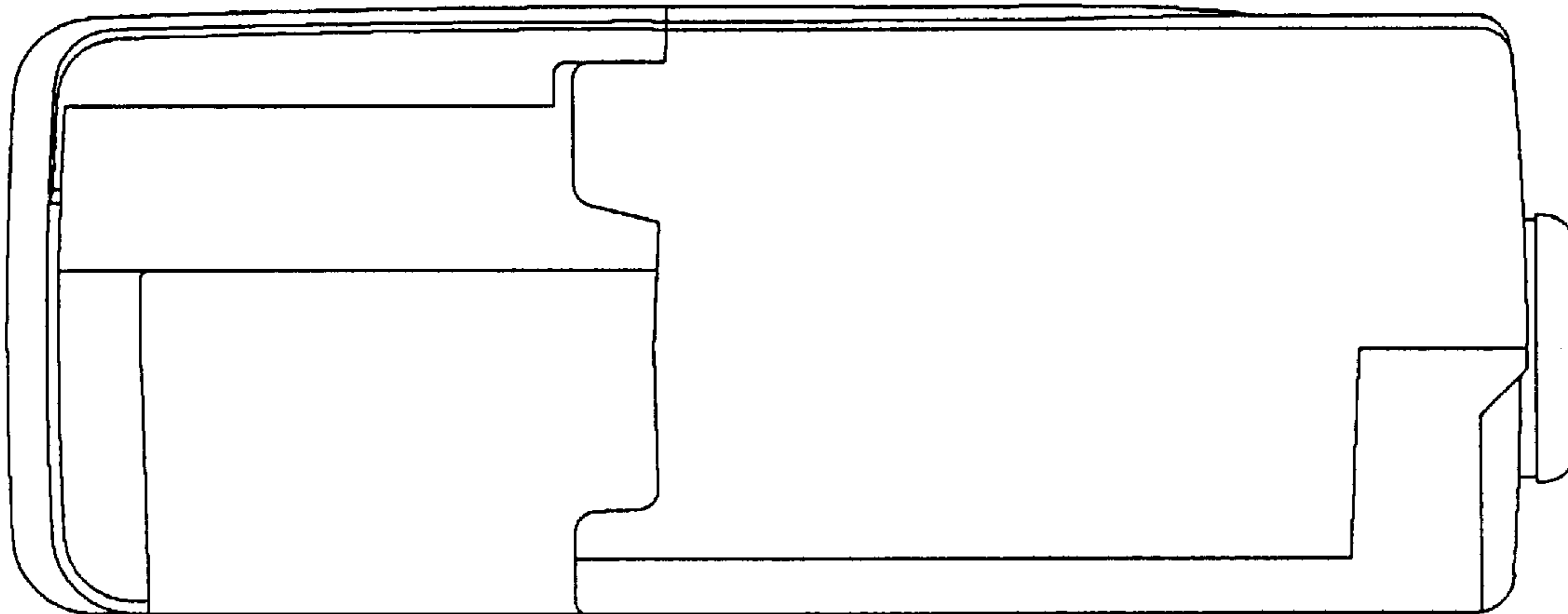


FIG. 4

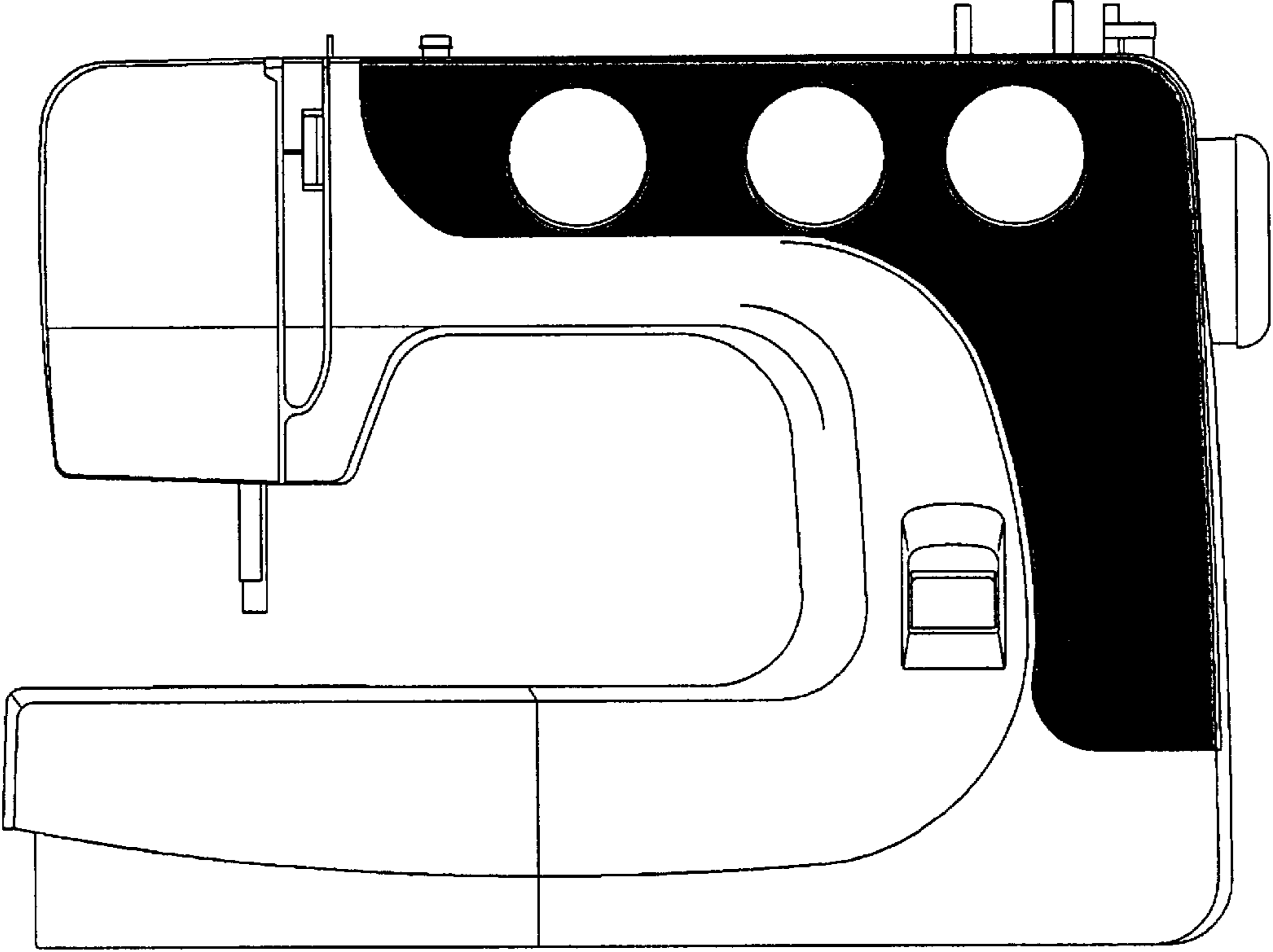


FIG. 5

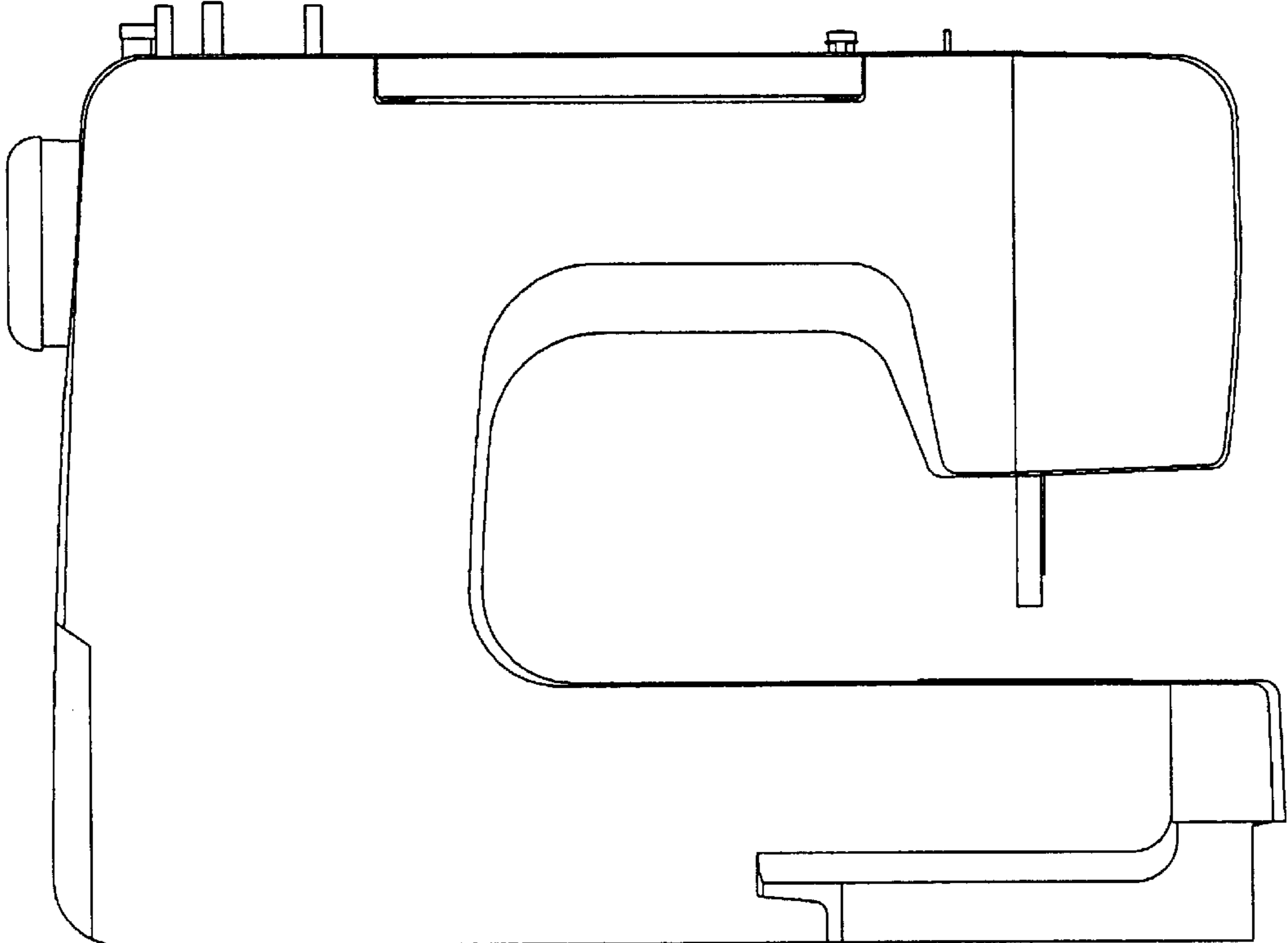


FIG. 6

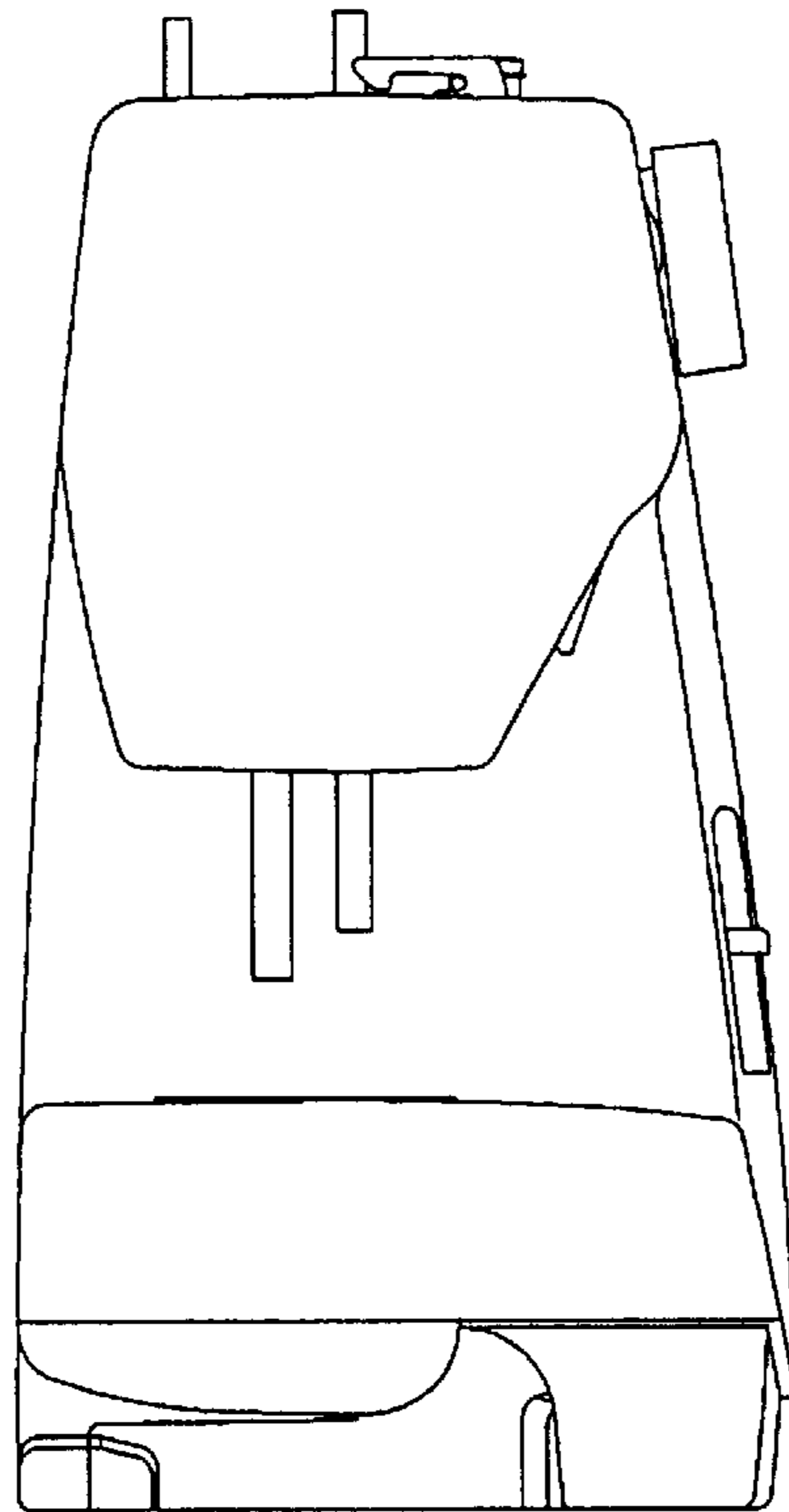


FIG. 7

