



US00D517096S

(12) **United States Design Patent**  
**Landers et al.**

(10) **Patent No.:** **US D517,096 S**  
(45) **Date of Patent:** **\*\* Mar. 14, 2006**

(54) **REAR PORTION OF A SKID STEER  
LOADER**

(75) Inventors: **Trace Dustin Landers**, Hazel Green,  
WI (US); **Thomas Howard Ward**,  
Ventura, CA (US); **Stephen Henry  
Kaminski**, Newbury Park, CA (US)

(73) Assignee: **Deere & Company**, Moline, IL (US)

(\*\*) Term: **14 Years**

(21) Appl. No.: **29/217,429**

(22) Filed: **Nov. 17, 2004**

(51) **LOC (8) Cl.** ..... **15-03**

(52) **U.S. Cl.** ..... **D15/28; D15/31; D15/33**

(58) **Field of Classification Search** ..... D15/22-26,  
D15/28, 30, 31, 33, 10; 414/685, 686, 694,  
414/722, 680, 724; 180/89.1, 89.12, 298,  
180/900, 68.5

See application file for complete search history.

(56) **References Cited**

**U.S. PATENT DOCUMENTS**

D192,091 S \* 1/1962 Lathe ..... D15/31  
D247,814 S \* 5/1978 Johnson et al. .... D15/23

D322,792 S \* 12/1991 Park ..... D15/25  
D406,594 S \* 3/1999 Miller et al. .... D15/31  
D407,418 S \* 3/1999 Miller et al. .... D15/28  
D450,718 S \* 11/2001 Muraro ..... D15/25  
D500,056 S \* 12/2004 DeYoung et al. .... D15/33

\* cited by examiner

*Primary Examiner*—Stella Reid  
*Assistant Examiner*—Mark A. Goodwin

(57) **CLAIM**

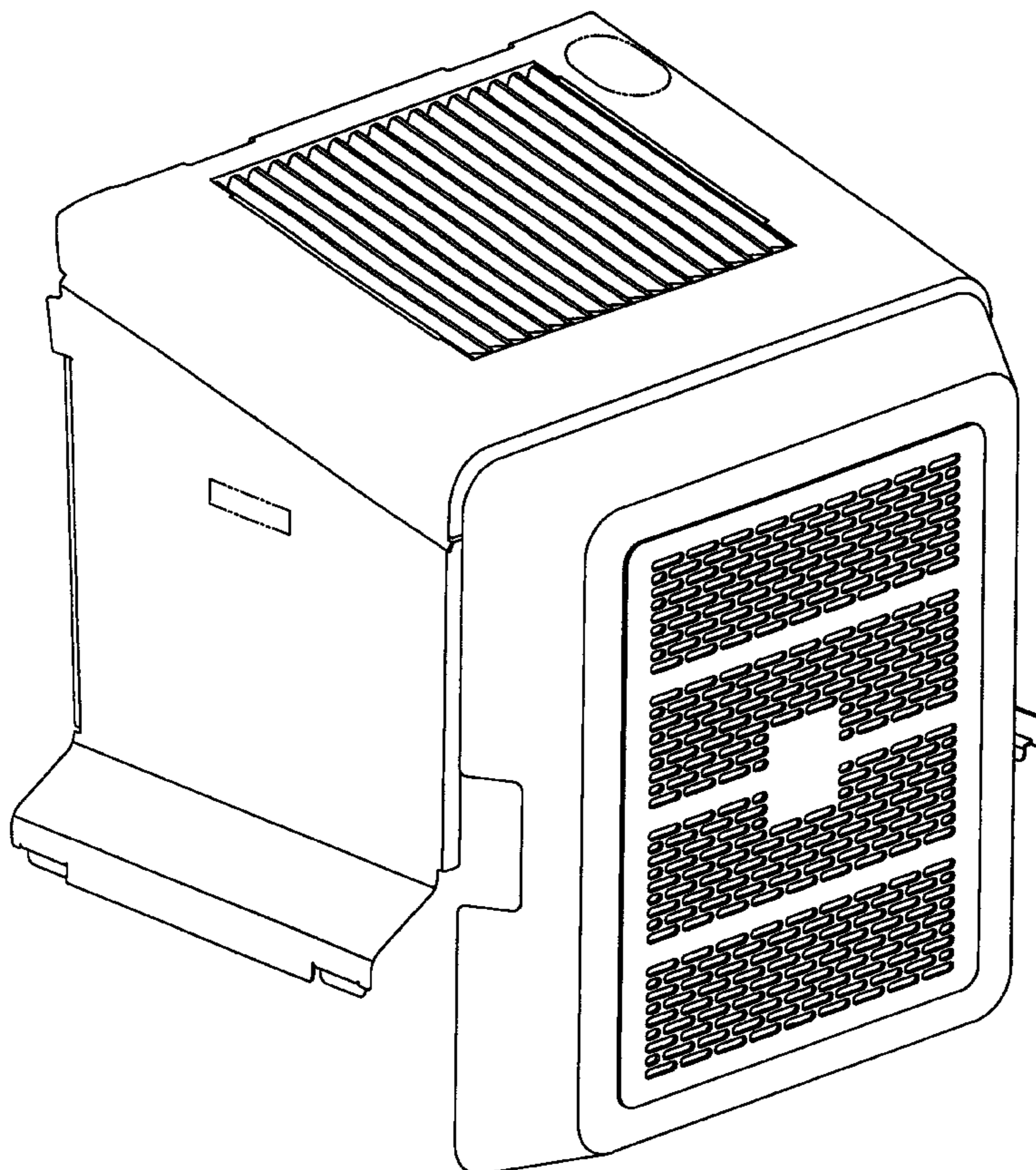
The ornamental design for a rear portion of a skid steer loader, as shown and described.

**DESCRIPTION**

FIG. 1 is a side view of a rear portion of a skid steer loader showing our new design;  
FIG. 2 is a top left side perspective view thereof;  
FIG. 3 is a top right side perspective view thereof;  
FIG. 4 is a left side view thereof;  
FIG. 5 is a right side view thereof;  
FIG. 6 is a top plan view thereof; and,  
FIG. 7 is a rear view thereof.

The broken line showing of the skid steer loader in FIG. 1 and the broken lines in FIGS. 2-7 is for illustrative purposes only and forms no part of the claimed design.

**1 Claim, 6 Drawing Sheets**



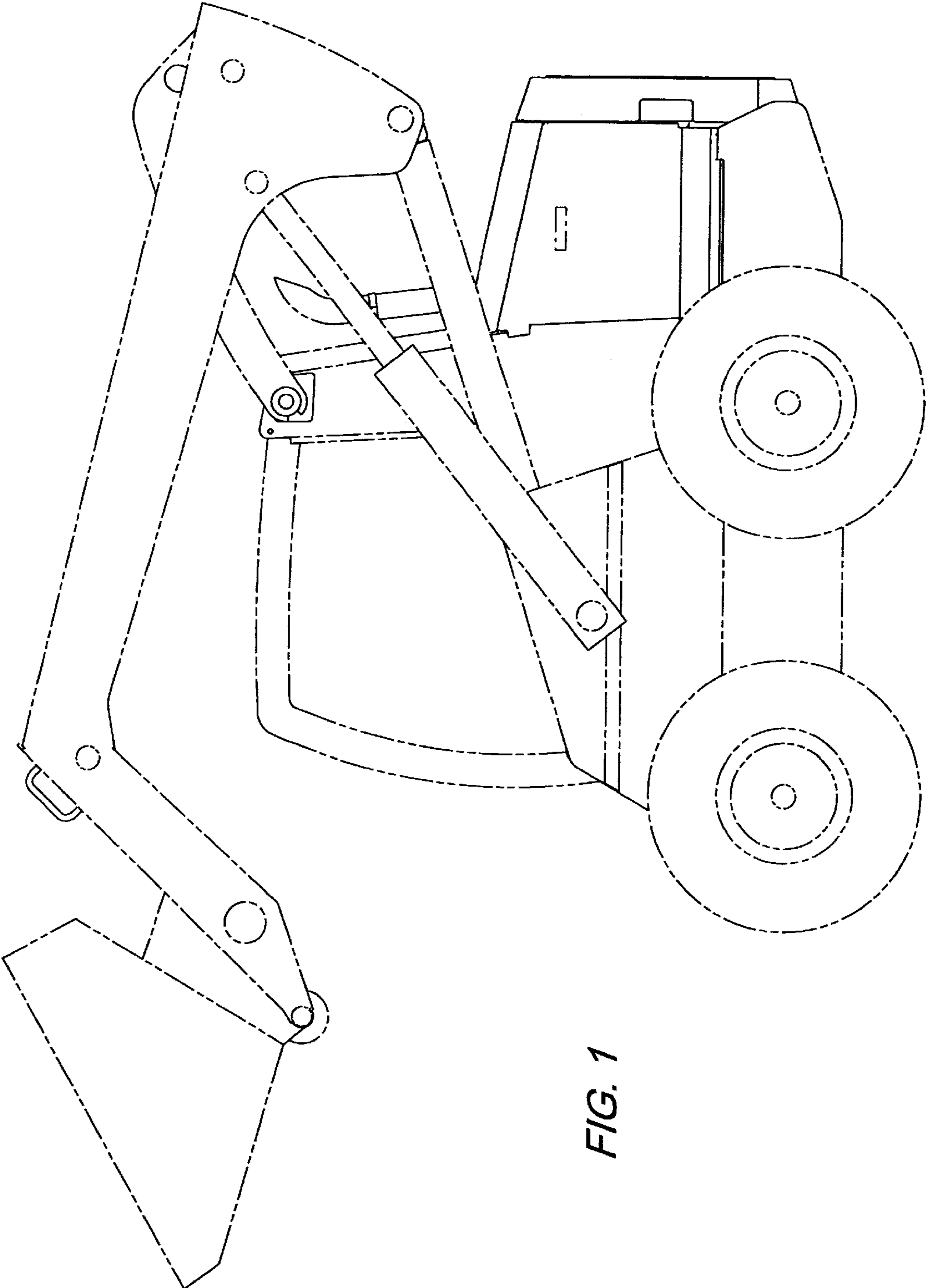


FIG. 1

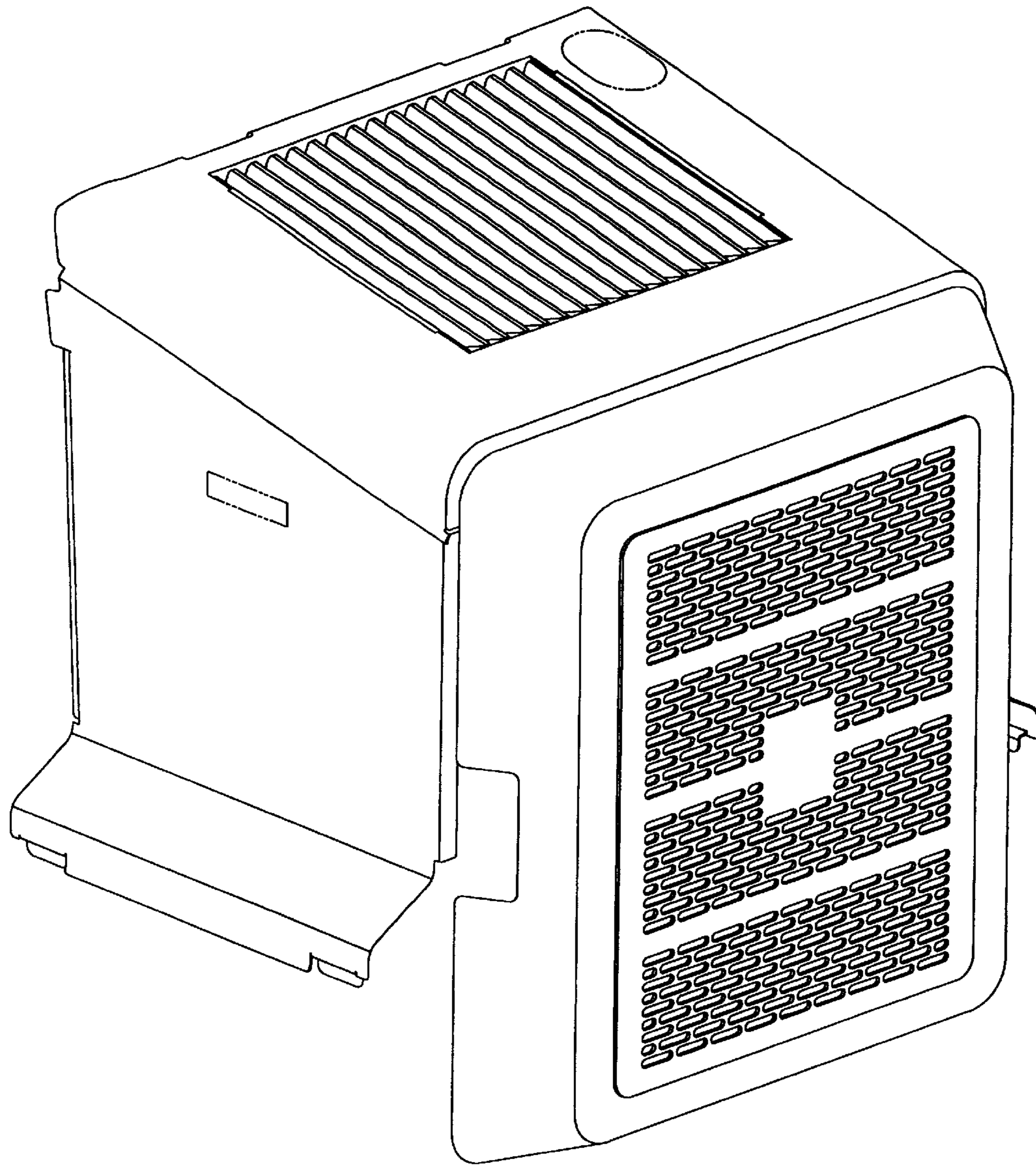


FIG. 2

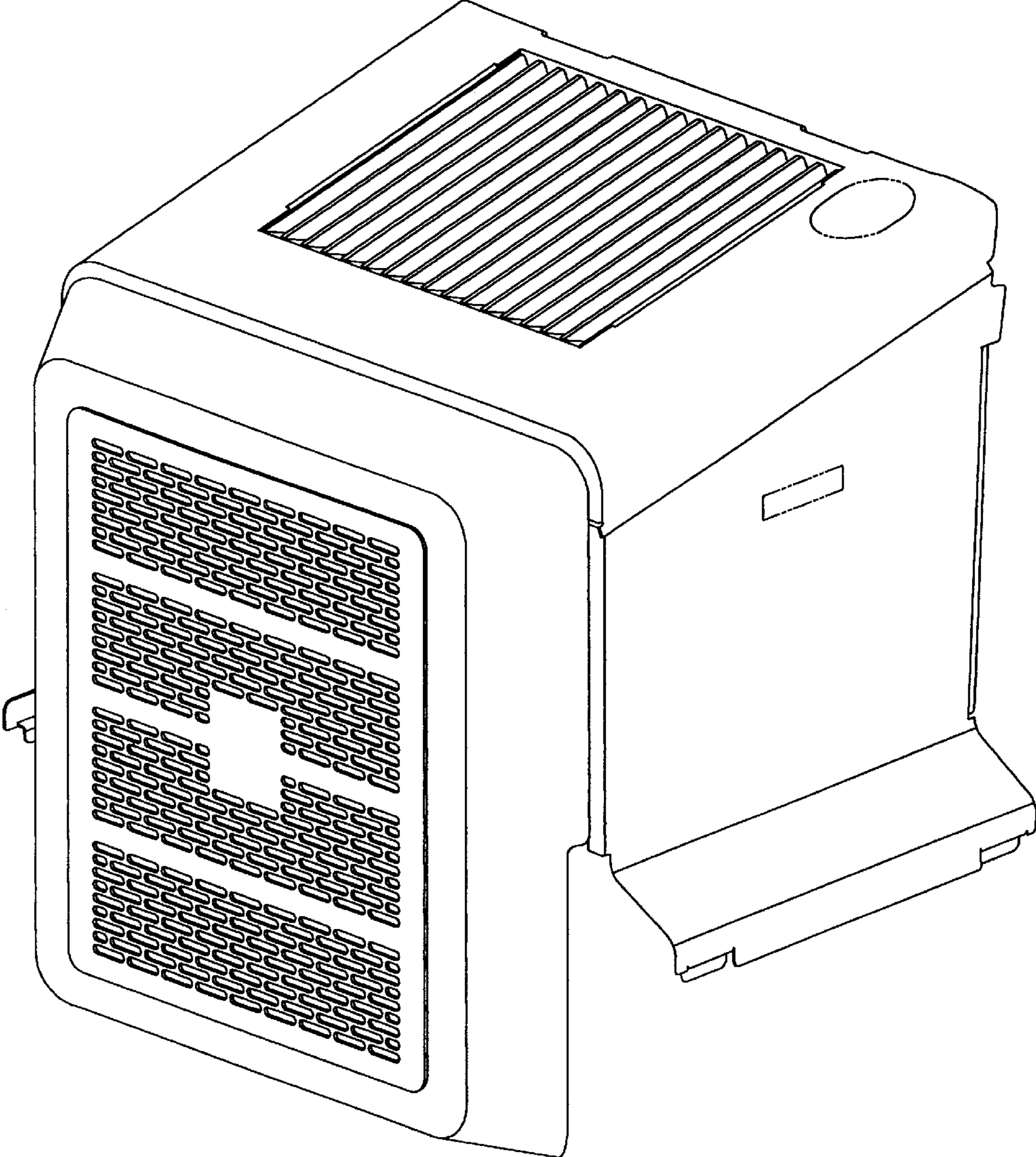
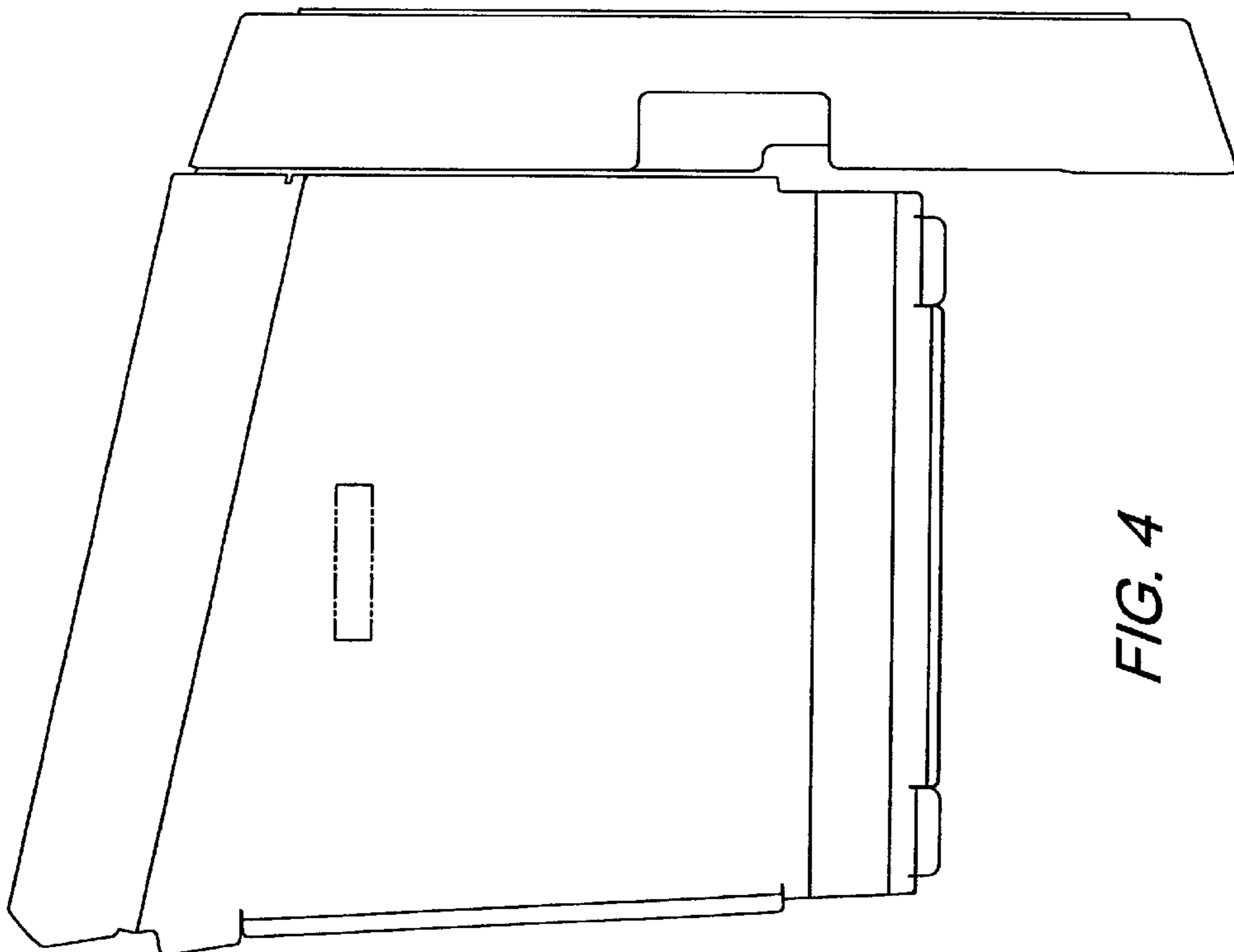
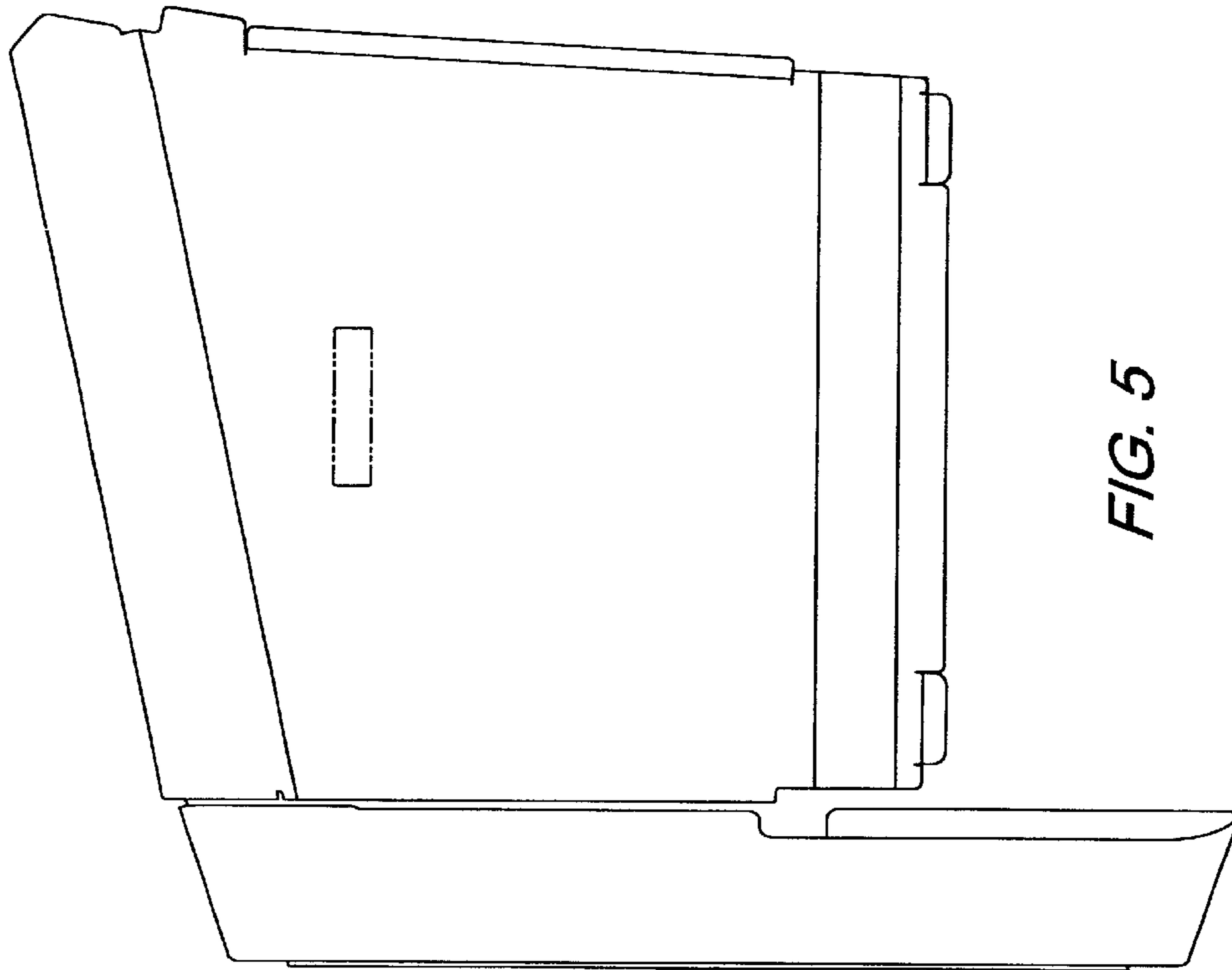


FIG. 3



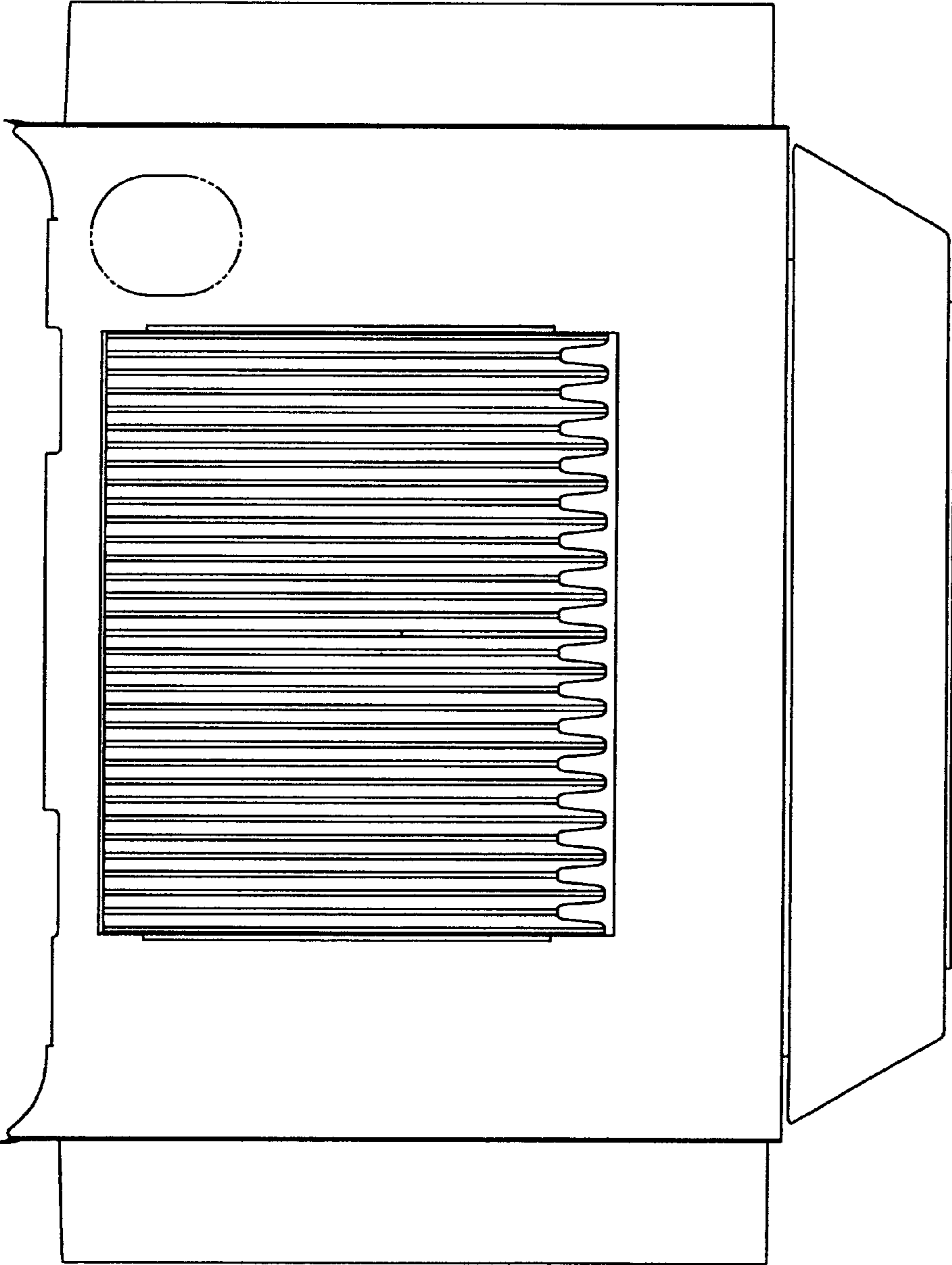
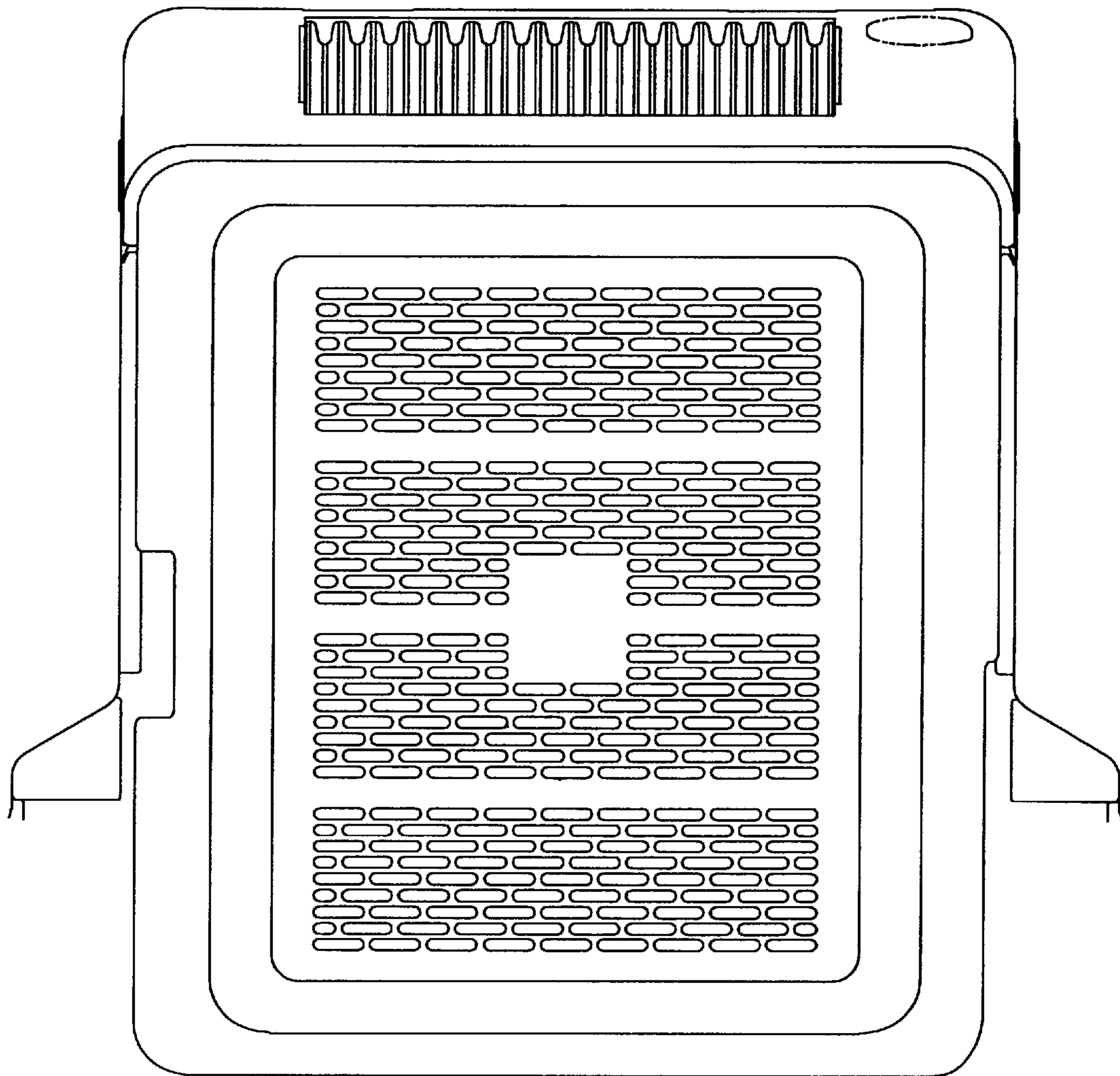


FIG. 6



*FIG. 7*