



US00D517095S

(12) **United States Design Patent**  
**Hamilton**

(10) **Patent No.:** **US D517,095 S**

(45) **Date of Patent:** **\*\* Mar. 14, 2006**

(54) **COMPACTOR HANDLE**

(75) **Inventor:** **Jamie Hamilton, Tyrone (IE)**

(73) **Assignee:** **Belle Engineering (Sheen) Limited,**  
**Buxton (GB)**

(\*\*) **Term:** **14 Years**

(21) **Appl. No.:** **29/209,984**

(22) **Filed:** **Jul. 23, 2004**

(30) **Foreign Application Priority Data**

Jan. 23, 2004 (EM) ..... 000132659

(51) **LOC (8) Cl.** ..... **15-03**

(52) **U.S. Cl.** ..... **D15/28**

(58) **Field of Classification Search** ..... D15/10,  
D15/20, 22, 28, 147; 56/11.3, DIG. 18; 173/162.2;  
404/133.1, 113, 117, 133.05; 172/699  
See application file for complete search history.

(56) **References Cited**

**U.S. PATENT DOCUMENTS**

- D227,166 S \* 6/1973 Briggs et al. .... D15/20
- D227,598 S \* 7/1973 Maass ..... D15/20
- 3,782,845 A \* 1/1974 Briggs et al. .... 404/133.1
- 3,814,533 A \* 6/1974 Buck ..... 404/133.1
- 4,113,403 A \* 9/1978 Tertinek et al. .... 404/113

- 4,609,055 A \* 9/1986 Grafstrom et al. .... 173/162.2
- 4,643,611 A \* 2/1987 Pilachowski ..... 404/133.1
- 4,895,478 A \* 1/1990 Artzberger ..... 404/133.1
- D393,864 S \* 4/1998 Waldenberger et al. .... D15/20
- 6,267,532 B1 \* 7/2001 Persson ..... 404/133.1
- 6,588,977 B1 \* 7/2003 Stayner ..... 404/133.1
- 2001/0002967 A1 \* 6/2001 Hedlund ..... 404/133.05
- 2003/0175078 A1 \* 9/2003 Sina et al. .... 404/133.1

\* cited by examiner

*Primary Examiner*—Stella Reid

*Assistant Examiner*—Mark A. Goodwin

(74) *Attorney, Agent, or Firm*—Bracewell & Giuliani LLP

(57) **CLAIM**

The ornamental design for a compactor handle, as shown and described.

**DESCRIPTION**

FIG. 1 is a perspective view of a compactor handle showing our new design, the broken line showing of the compactor in FIG. 1 is for illustrative purposes only and forms no part of the claimed design;

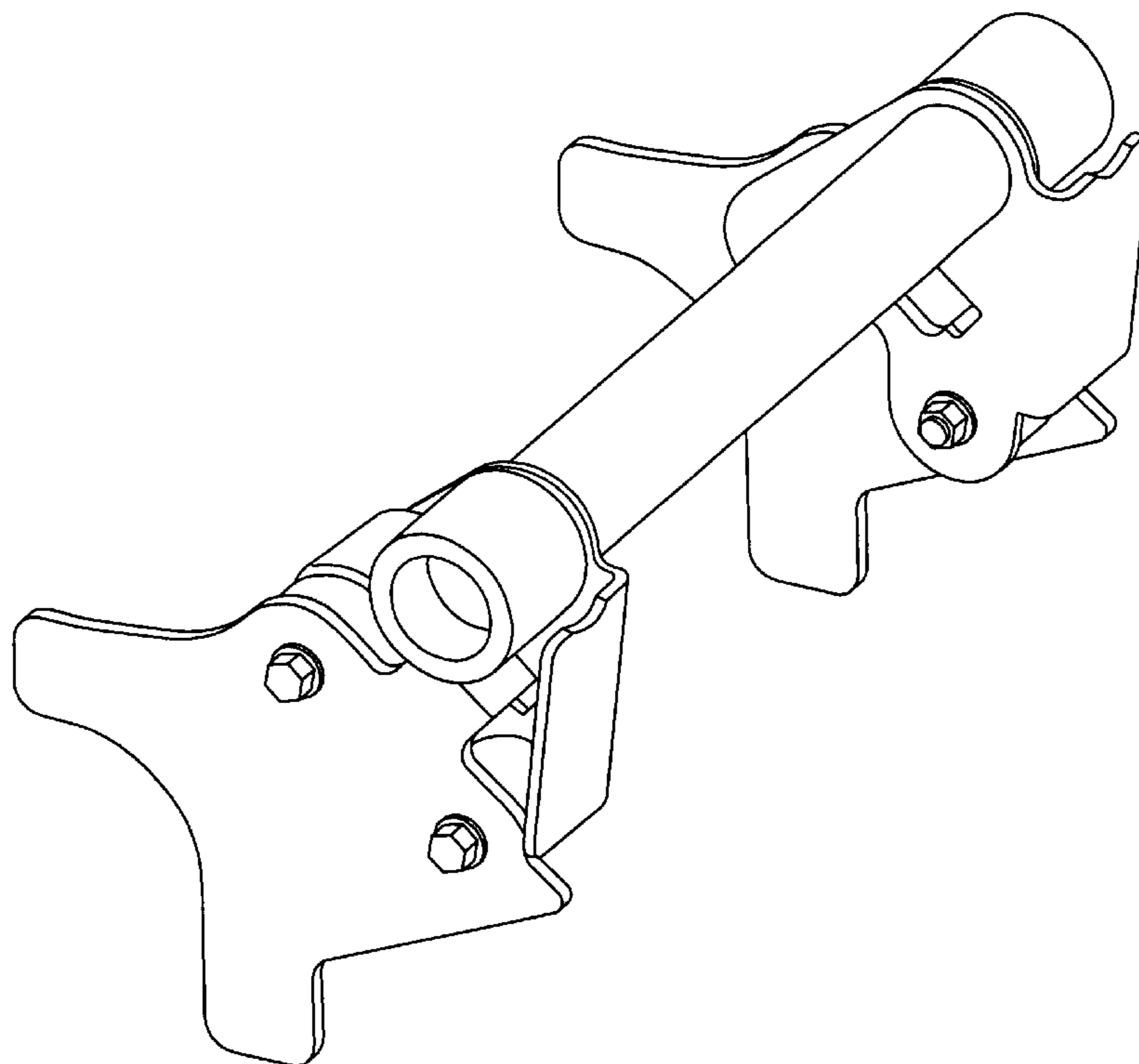
FIG. 2 is a rear view thereof on an enlarged scale;

FIG. 3 is a rear perspective view thereof;

FIG. 4 is a left side view with the opposite side being a mirror image thereof; and,

FIG. 5 is a front view thereof.

**1 Claim, 3 Drawing Sheets**



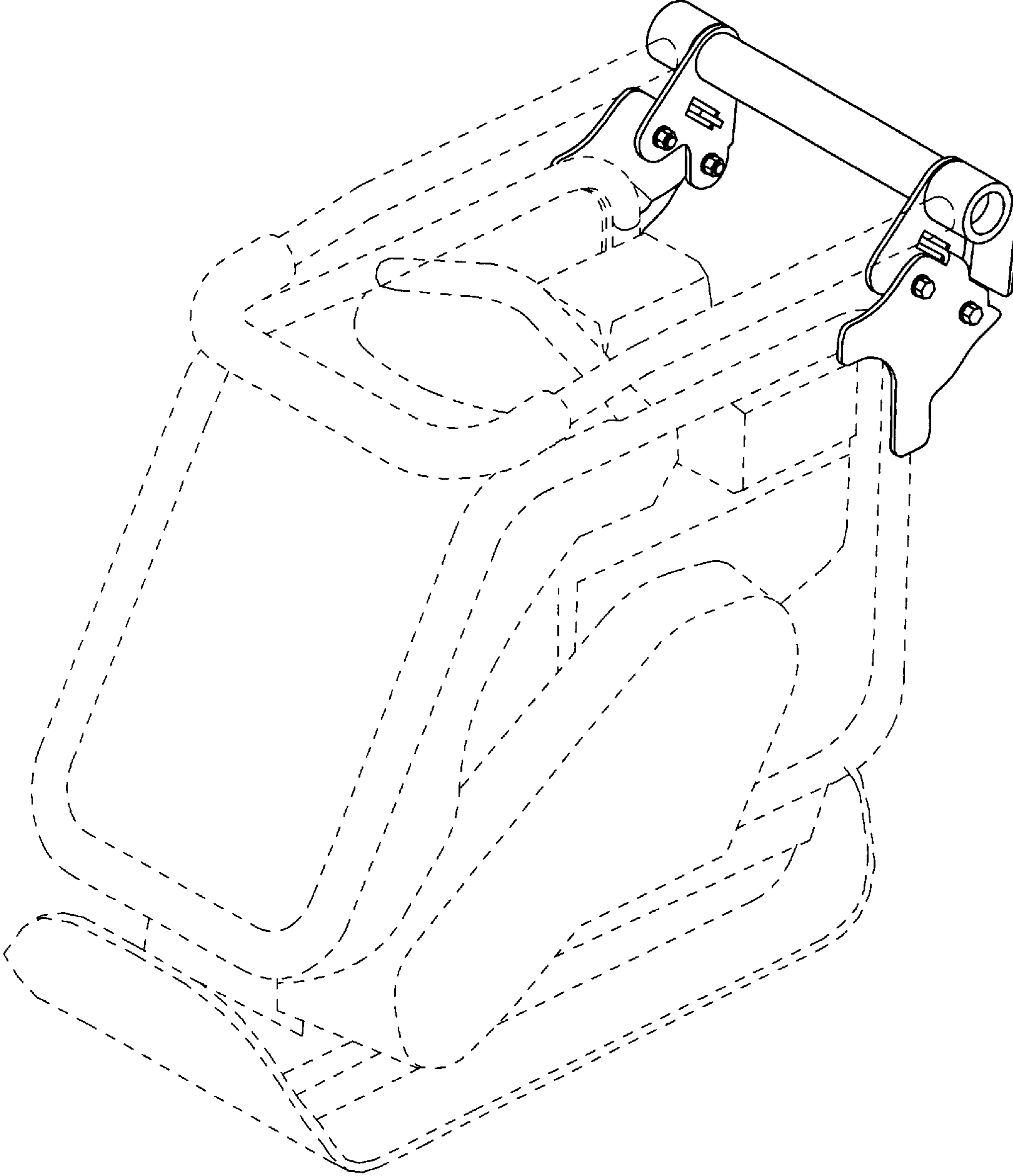


Fig. 1

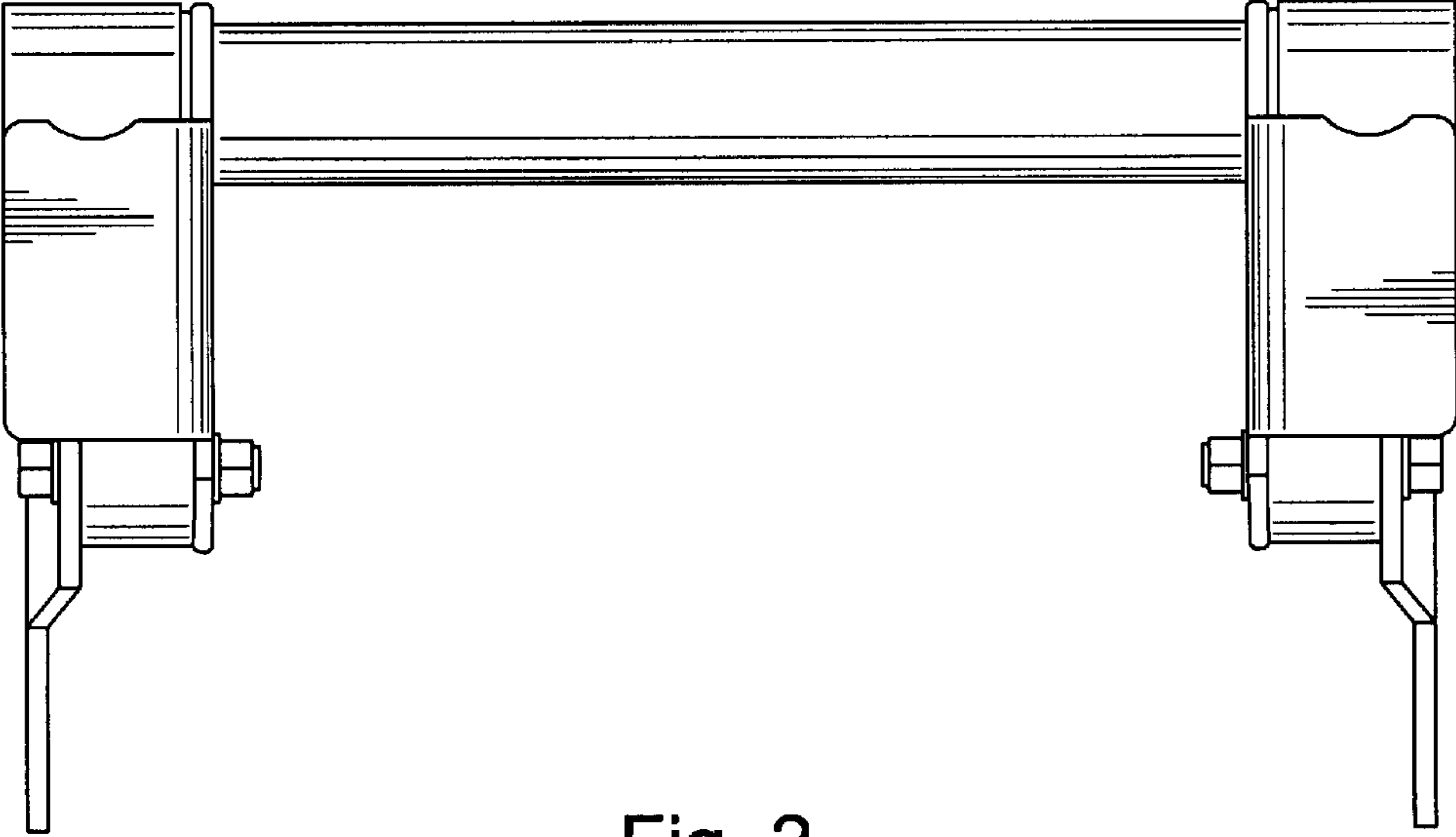


Fig. 2

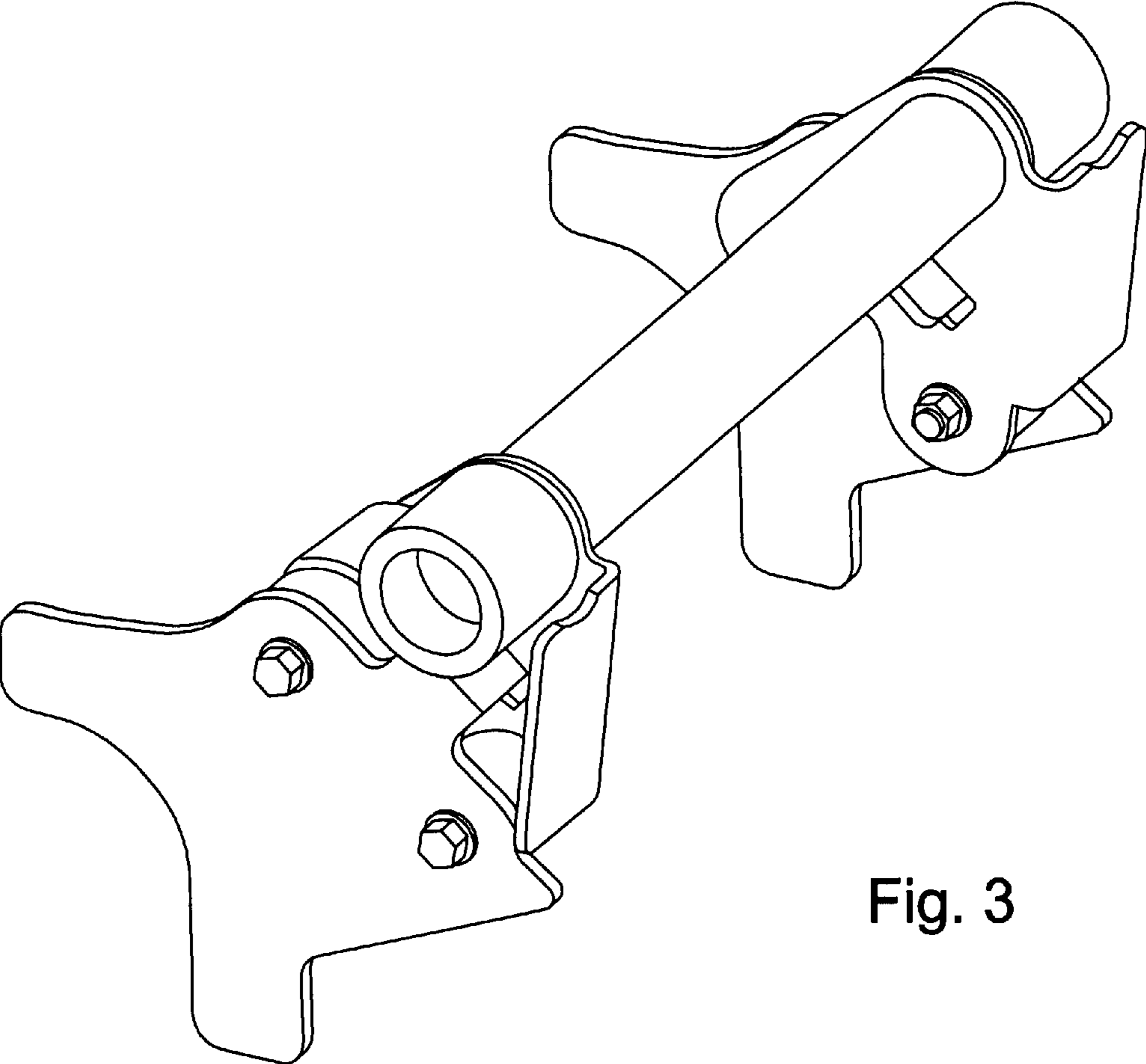


Fig. 3

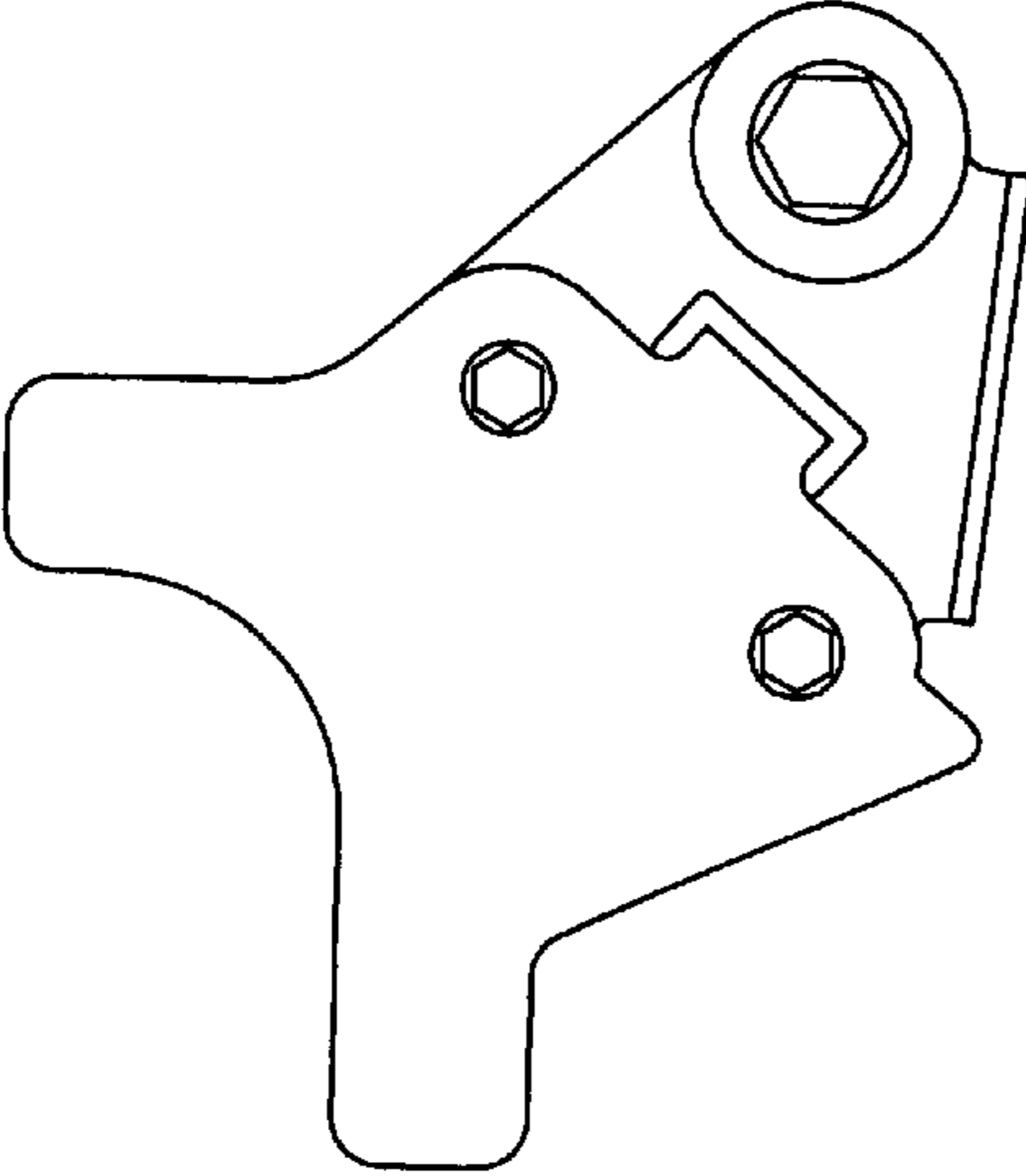


Fig. 4

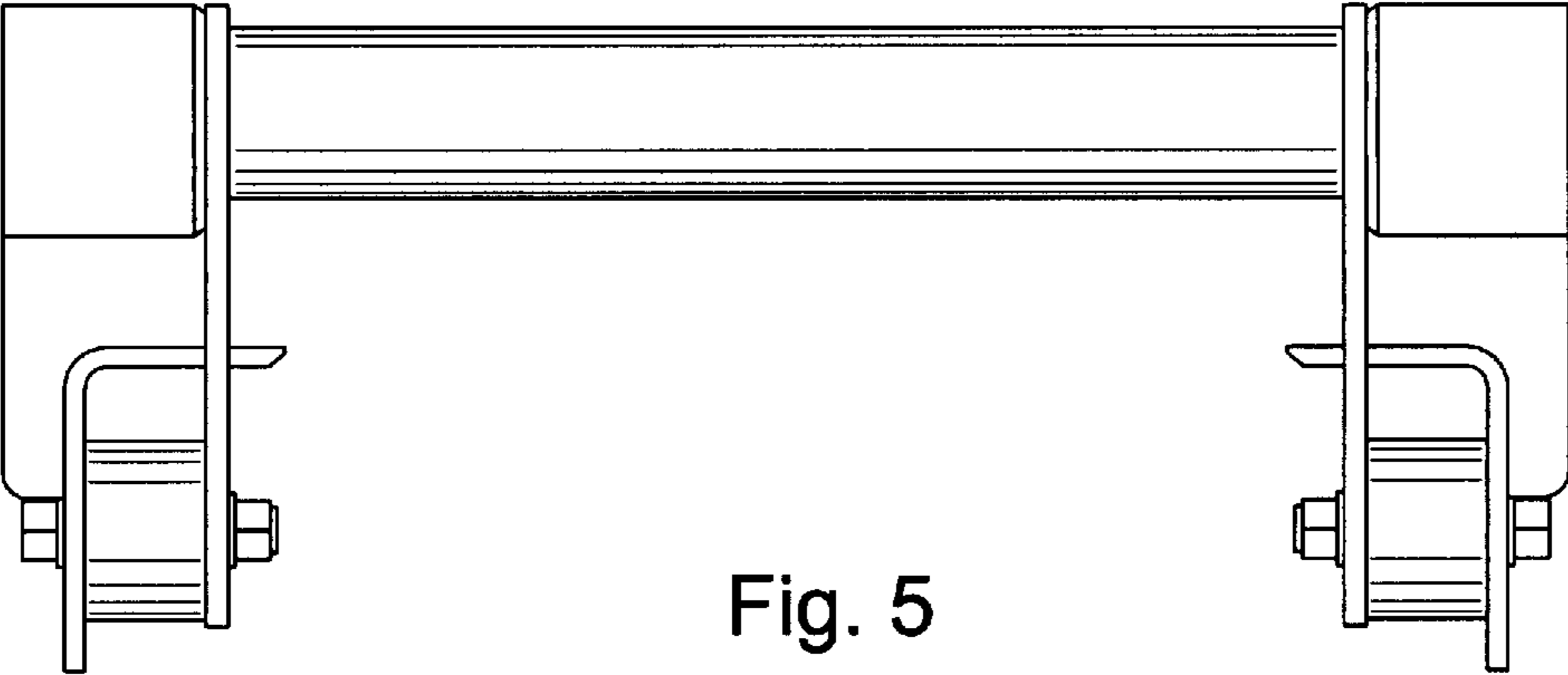


Fig. 5