



US00D517093S

(12) **United States Design Patent** (10) **Patent No.:** **US D517,093 S**
Henssler et al. (45) **Date of Patent:** **** Mar. 14, 2006**

(54) **LAWN RAKE**

(75) Inventors: **Heinrich Henssler**, Schwabisch-Gmund (DE); **Martin Schultheiss**, Schwabisch-Gmund (DE)

(73) Assignee: **Gardena Manufacturing GmbH** (DE)

(**) Term: **14 Years**

(21) Appl. No.: **29/217,313**

(22) Filed: **Nov. 16, 2004**

(30) **Foreign Application Priority Data**

Aug. 11, 2004 (EM) 000214960

(51) **LOC (8) Cl.** **15-03**

(52) **U.S. Cl.** **D15/14**

(58) **Field of Classification Search** D15/10-12, D15/14-18, 21, 27; D8/13, 1; 56/16.9, 364, 56/17.5, 202, 254, 255, 294, 11.4, 320.1, 56/320.2, 249, 252, 400.01, 400.02, 341, 56/367, 10.1, 10.2 R; 172/21, 22, 27, 28, 172/42, 429, 518, 557, 349, 546, 554, 552, 172/532, 371; 280/43.17

See application file for complete search history.

(56) **References Cited**

U.S. PATENT DOCUMENTS

- 1,911,535 A * 5/1933 Schultze 56/400.02
- 2,722,795 A * 11/1955 Warner 56/249
- D178,596 S * 8/1956 Cole D15/16
- 3,125,844 A * 3/1964 Beyer 56/16.4 R
- 3,512,345 A * 5/1970 Smith 56/16.9
- 3,564,823 A * 2/1971 Rhoads 56/16.7
- D247,038 S * 1/1978 Stallard D15/27
- 4,738,084 A 4/1988 Ogano et al.
- 4,802,536 A * 2/1989 O'Neal 172/42
- D367,593 S * 3/1996 De Larue D8/1
- 5,524,425 A * 6/1996 Gallazzini 56/364
- 6,357,214 B1 * 3/2002 Iacona 56/12.7

FOREIGN PATENT DOCUMENTS

WO WO 02/062126 A1 8/2002

OTHER PUBLICATIONS

- Ering catalog "Garten" 2002, pp. 8 and 9.
- Asgatec catalog "Assmann Gartentechnik" 2003, p. 13.
- Einhell catalog "Gartentechnik" 2001.
- Bosch catalog "Das Bosch-Gartengerate-Programm" 2002.
- MEP—Marazzini S.p.A. catalog "Erma Collection" 2001-2002, p. 5.
- Valex catalog "Garden" 2003, pp. 12 and 13.
- Wolf Garten catalog "Das Neue Gartenjahr" 2000.
- Klippeo catalog Klippeo 2002, p. 10.
- Solo catalog "Komplett-Programm" 2003.
- Viking catalog "Viking" 2002-2003, pp. 12 and 13.
- Stiga catalog "Stiga Garden Range" 2003, p. 27.
- Ikra catalog "Geratekatalog" 2003, p. 9.
- Herkules "Herkules-Motorgerate" 2002-2003, p. 7.
- Dolmar catalog "Dolmar" 2002-2003, p. 35.
- Granja "Granja" 2001.
- Flymo catalog "Flymo" 2002.
- Toro "A-Programm 2003" 2003, p. 1.
- AL-KO catalog "Innovationskraft" 2003, pp. 6 and 7.
- AL-KO catalog "Hol dir die Kraft" 2003, p. 35.

* cited by examiner

Primary Examiner—Stella Reid
Assistant Examiner—Mark A. Goodwin
(74) *Attorney, Agent, or Firm*—Akerman Senterfitt

(57) **CLAIM**

The ornamental design for a lawn rake, as shown and described.

DESCRIPTION

FIG. 1 is a side perspective view of a lawn rake showing our new design;
FIG. 2 is a rear elevation view thereof;
FIG. 3 is a front elevation view thereof;
FIG. 4 is a side elevation view thereof;
FIG. 5 is the opposite side elevation view thereof;
FIG. 6 is a top plan view thereof; and,
FIG. 7 is a bottom plan view thereof.

1 Claim, 6 Drawing Sheets

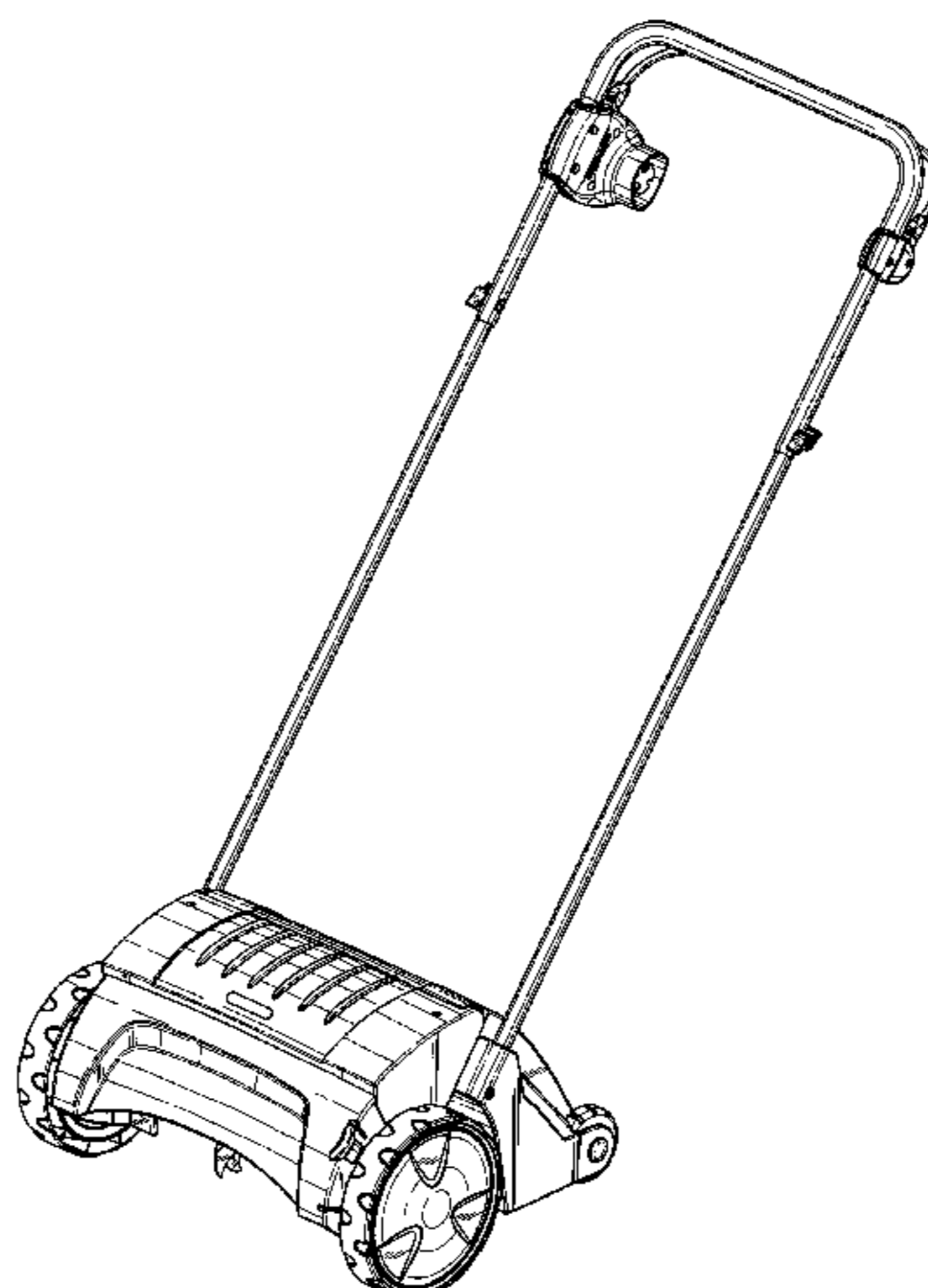
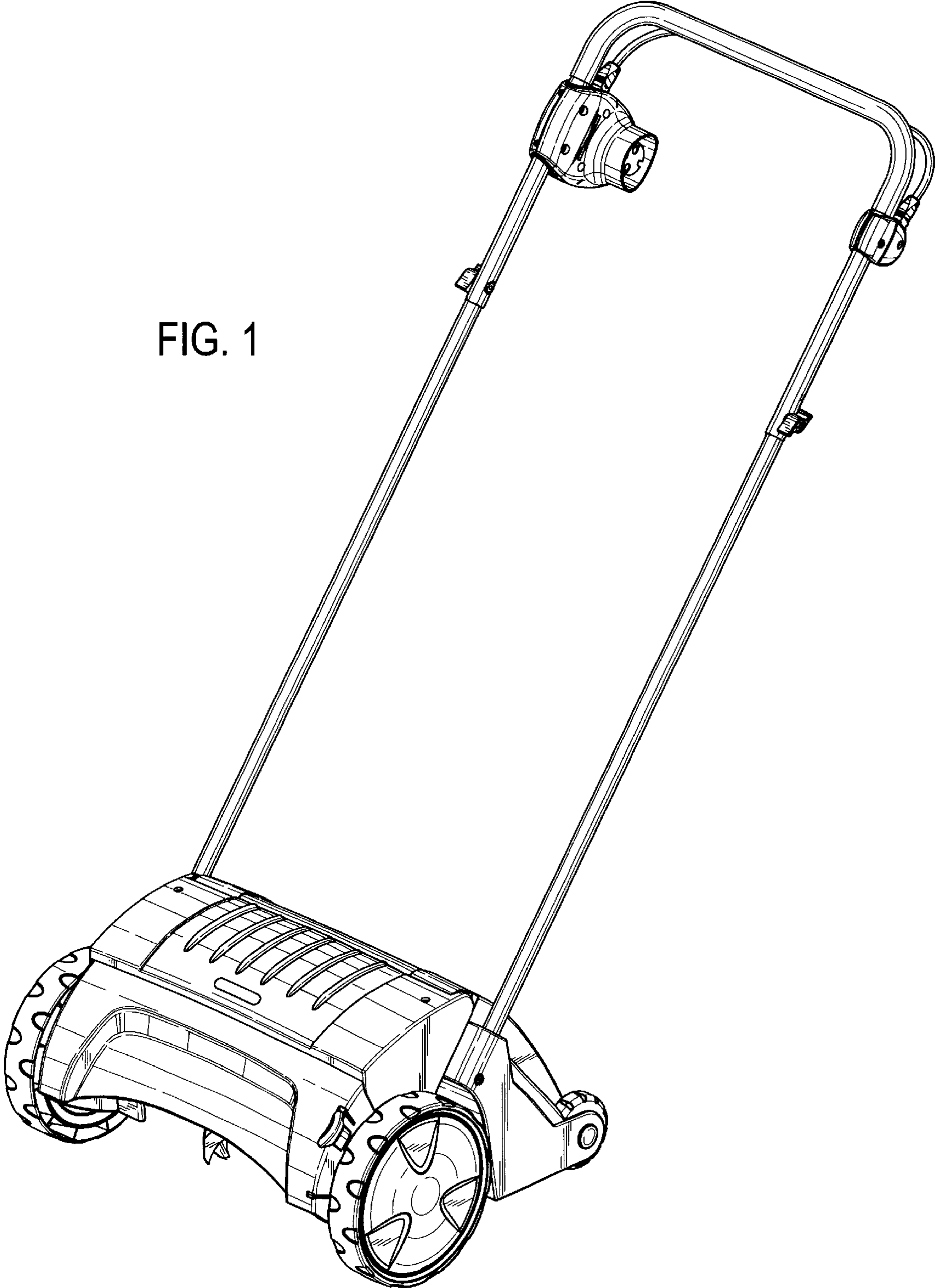


FIG. 1



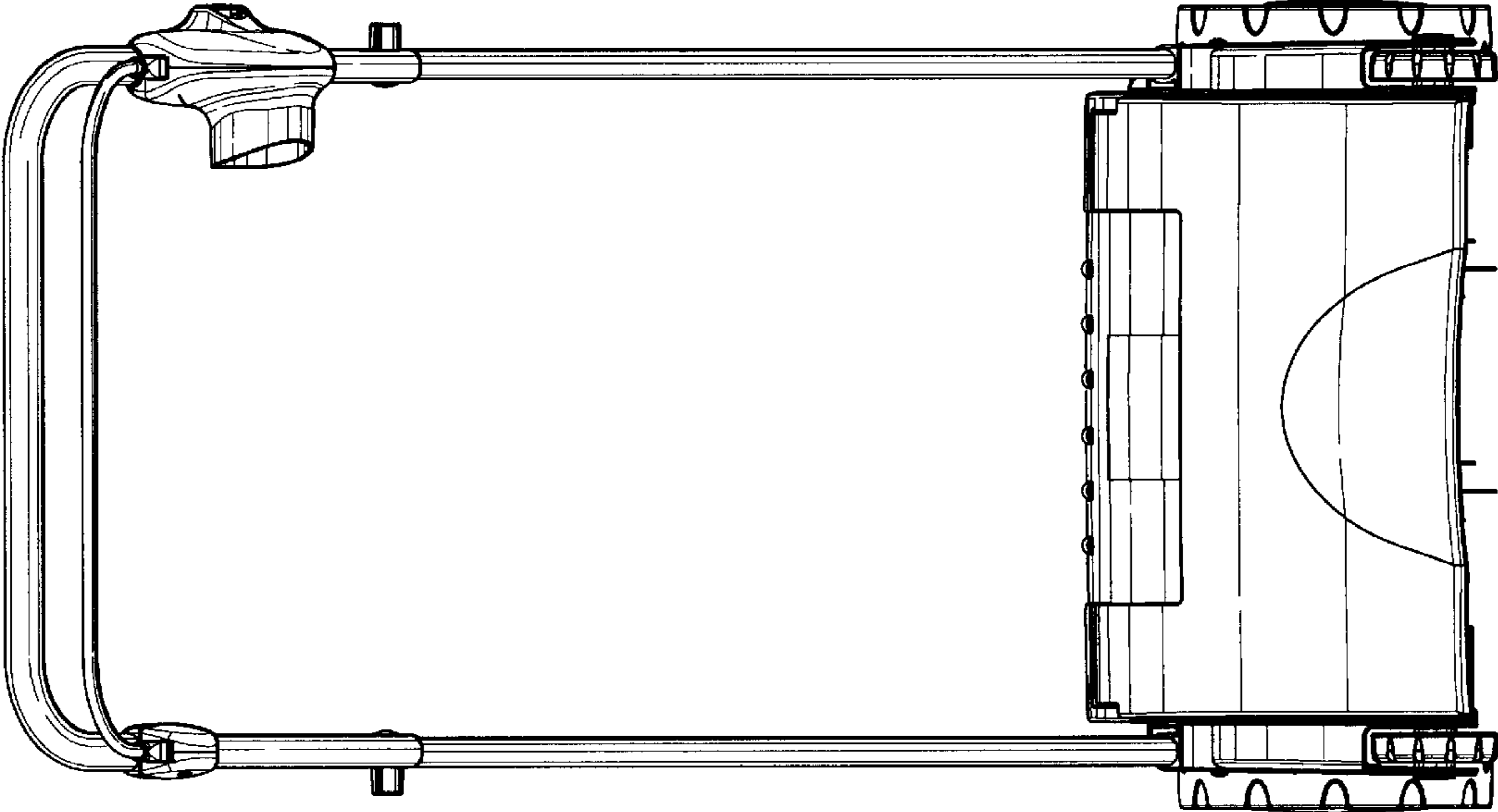


FIG. 3

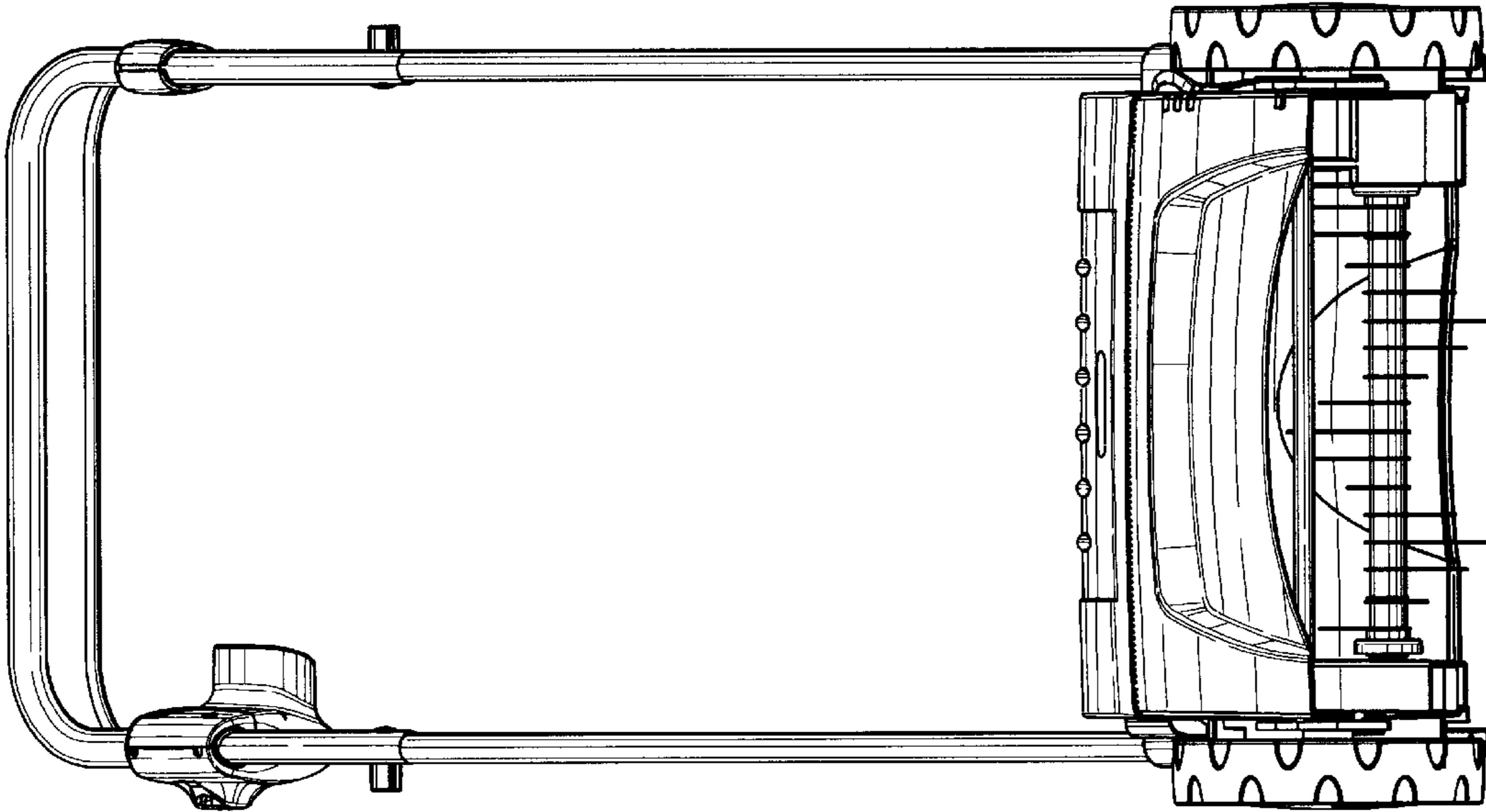


FIG. 2

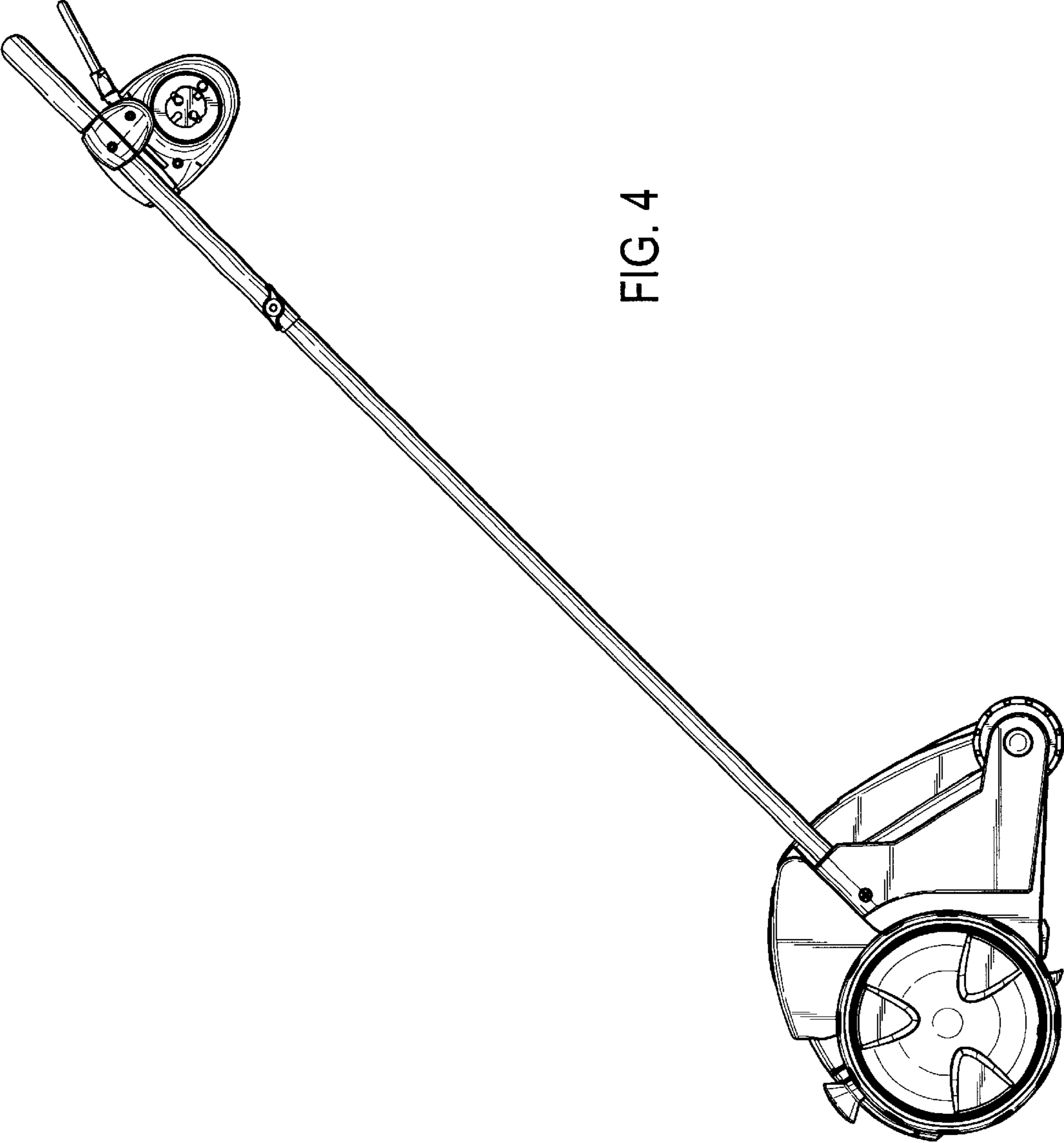


FIG. 4

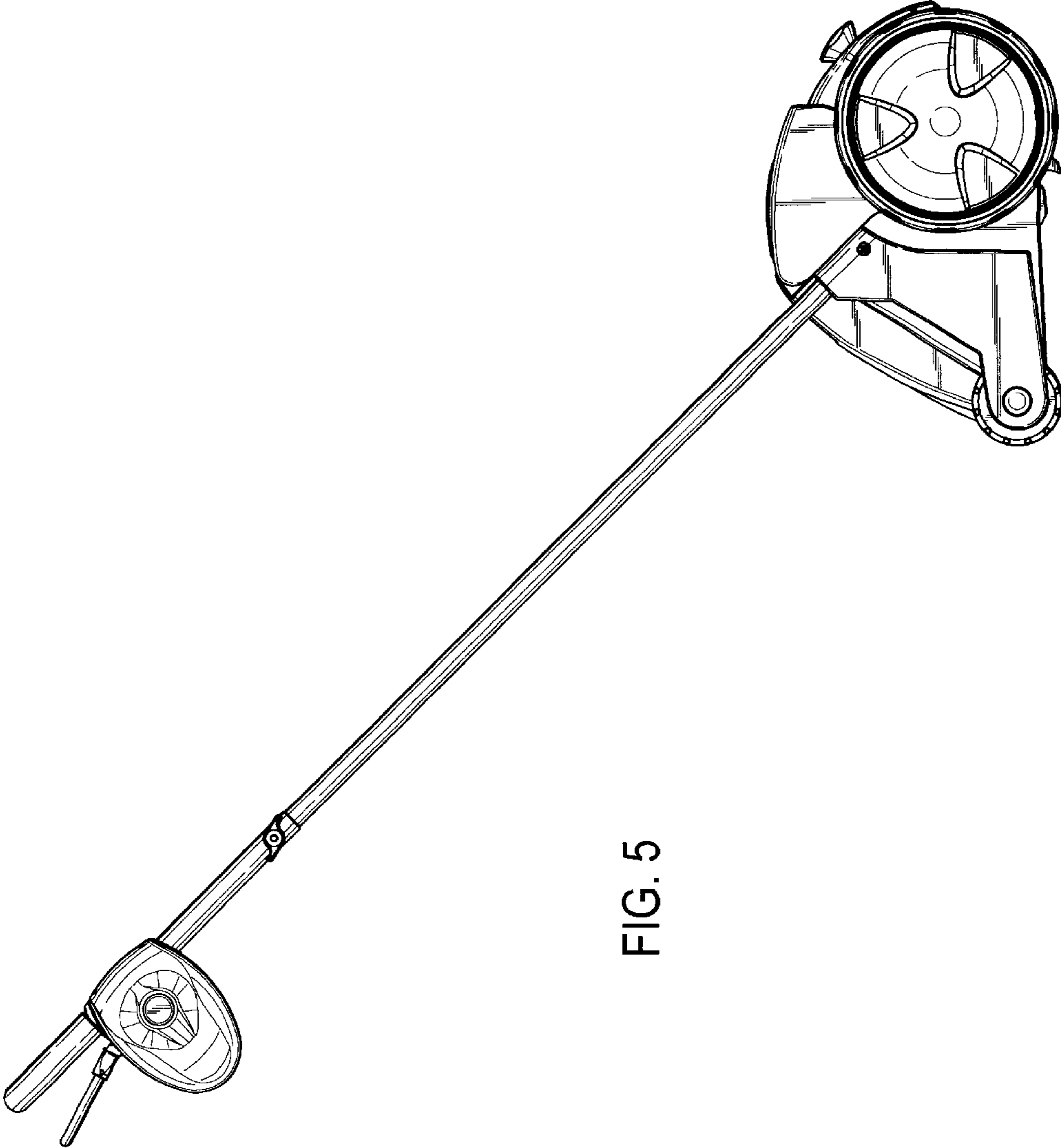


FIG. 5

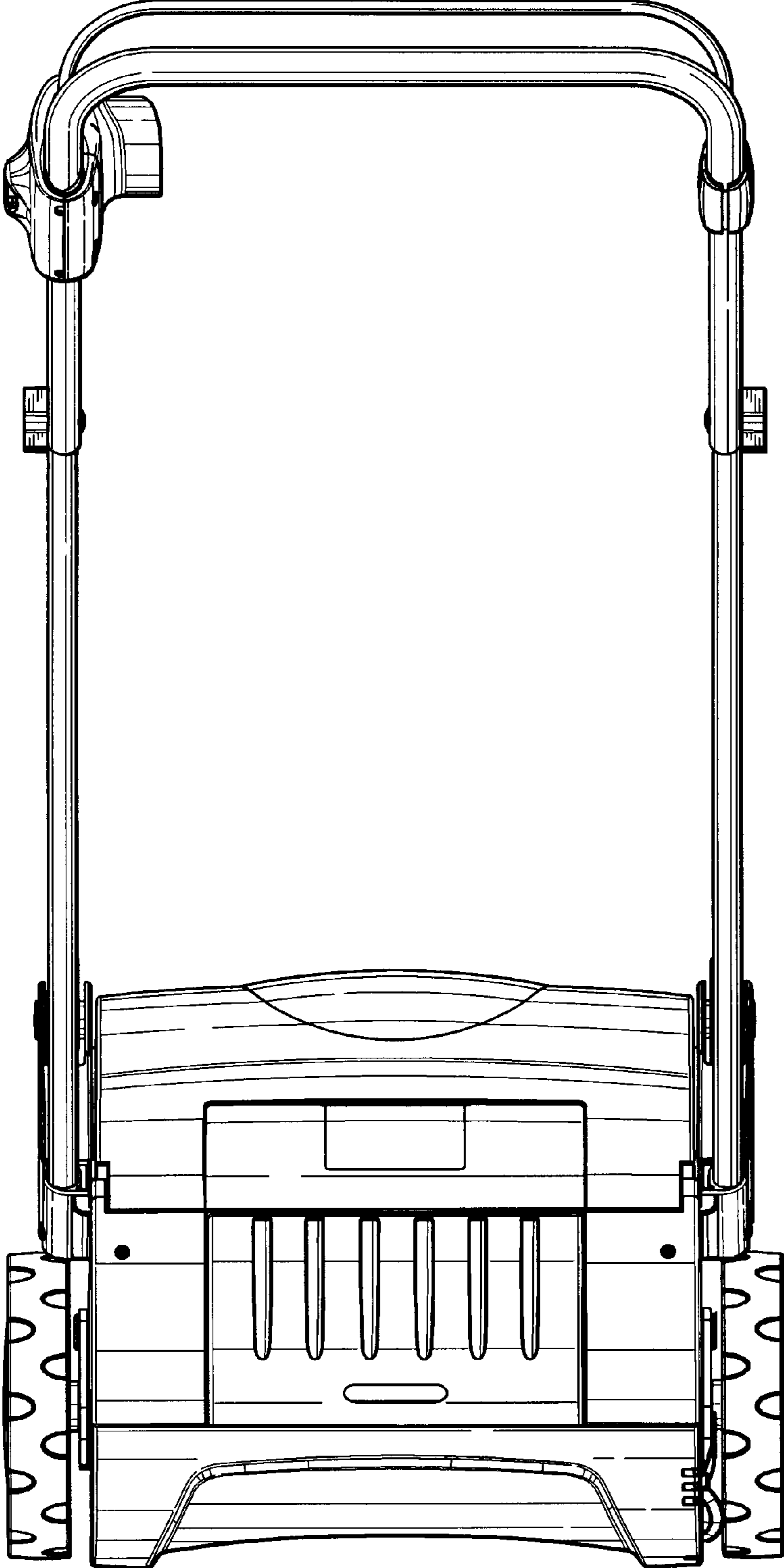


FIG. 6

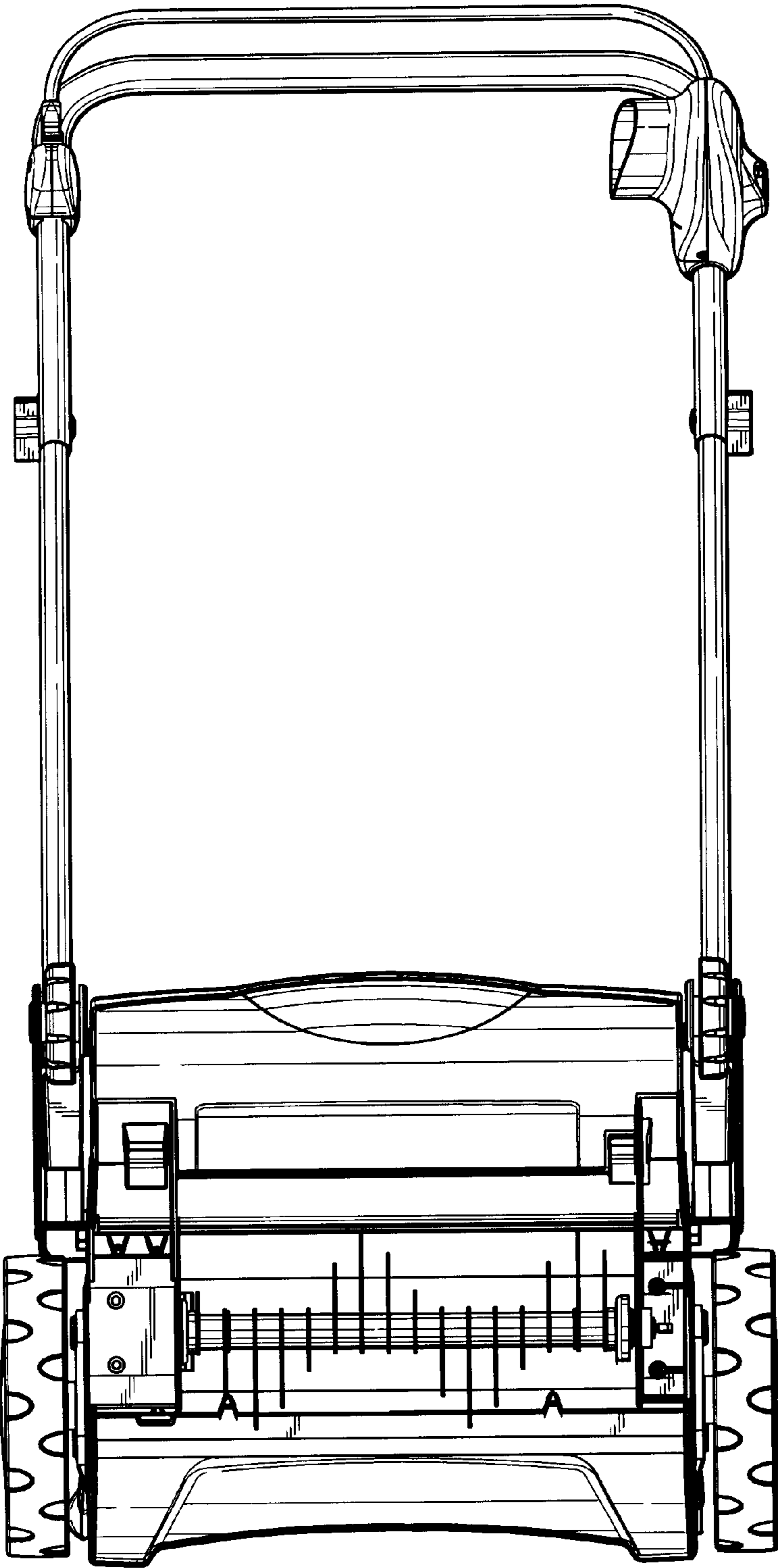


FIG. 7