



US00D517091S

(12) **United States Design Patent**
Sugiyama et al.

(10) **Patent No.:** **US D517,091 S**
(45) **Date of Patent:** **** Mar. 14, 2006**

(54) **PUMP**

(75) Inventors: **Shigeru Sugiyama**, Shizuoka (JP);
Katsuyoshi Ohmori, Shizuoka (JP);
Hidekazu Urano, Shizuoka (JP)

(73) Assignee: **Star Micronics Co., Ltd.**, Shizuoka (JP)

(**) Term: **14 Years**

(21) Appl. No.: **29/228,662**

(22) Filed: **Apr. 27, 2005**

(30) **Foreign Application Priority Data**

Nov. 4, 2004 (JP) 2004-033477

(51) **LOC (8) Cl.** **15-02**

(52) **U.S. Cl.** **D15/7**

(58) **Field of Classification Search** D15/7-9;
D23/231, 232; 417/410.1, 359, 415-416,
417/234, 321, 265, 405

See application file for complete search history.

(56) **References Cited**

U.S. PATENT DOCUMENTS

D327,481 S * 6/1992 Stephenson D15/7

D482,370 S * 11/2003 Niwatsukino et al. D15/7

D482,698 S * 11/2003 Niwatsukino et al. D15/7

D483,041 S * 12/2003 Niwatsukino et al. D15/7

D492,325 S * 6/2004 Niwatsukino et al. D15/7

D499,113 S * 11/2004 Murayama et al. D15/7

D500,325 S * 12/2004 Reynolds et al. D15/7

* cited by examiner

Primary Examiner—Ralf Seifert

(74) *Attorney, Agent, or Firm*—Sughrue Mion, PLLC

(57) **CLAIM**

The ornamental design for a pump, as shown and described.

DESCRIPTION

FIG. 1 is a perspective view of the top, front and right side of a pump showing our new design;

FIG. 2 is a perspective view of the bottom, front and right side thereof;

FIG. 3 is a front elevational view thereof;

FIG. 4 is a rear elevational view thereof;

FIG. 5 is a left side elevational view thereof;

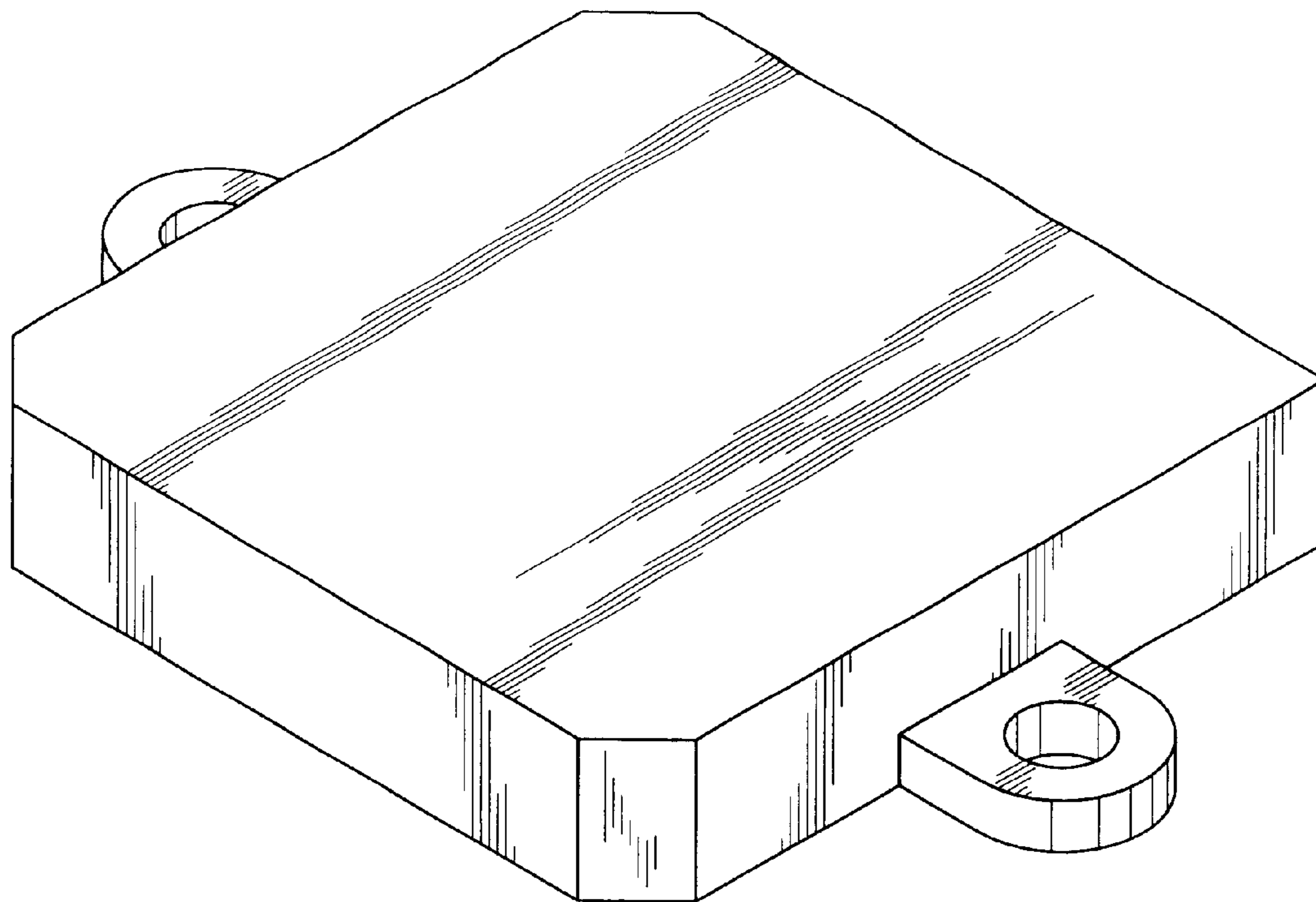
FIG. 6 is a right side elevational view thereof;

FIG. 7 is a top plan view thereof; and,

FIG. 8 is a bottom plan view thereof.

The portions shown in broken lines are for illustrative purposes only and form no part of the claimed design.

1 Claim, 4 Drawing Sheets



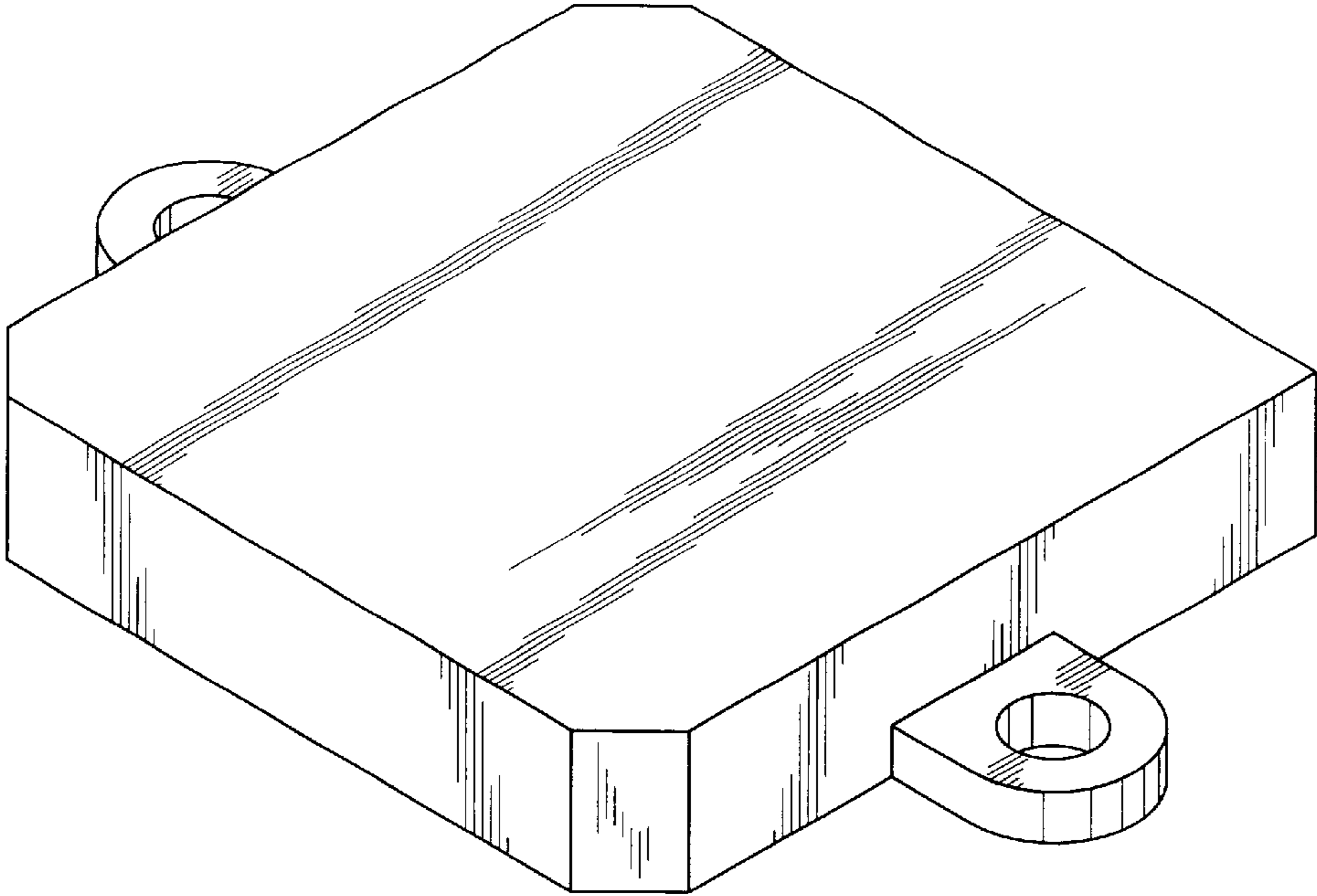


FIG. 1

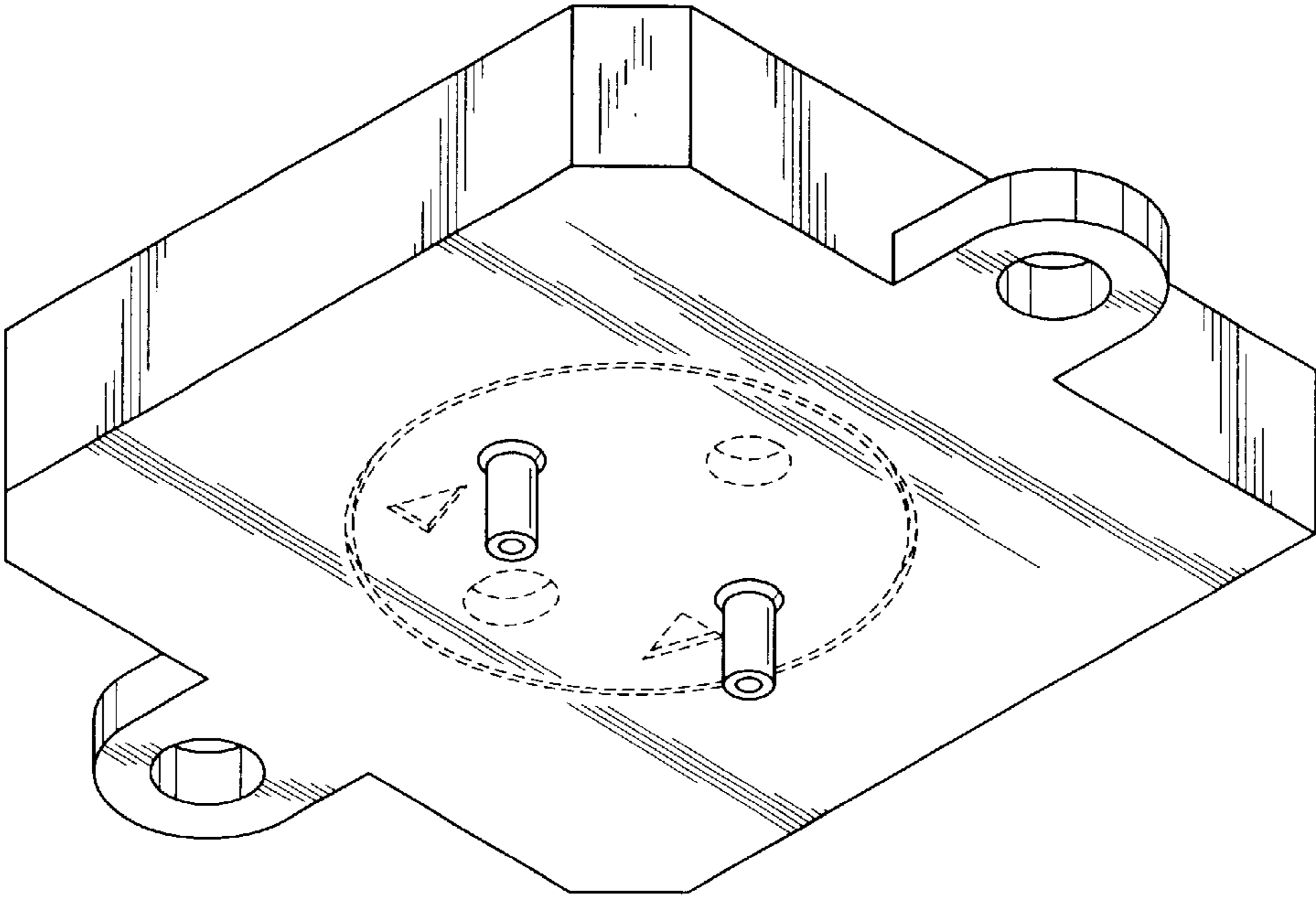


FIG. 2

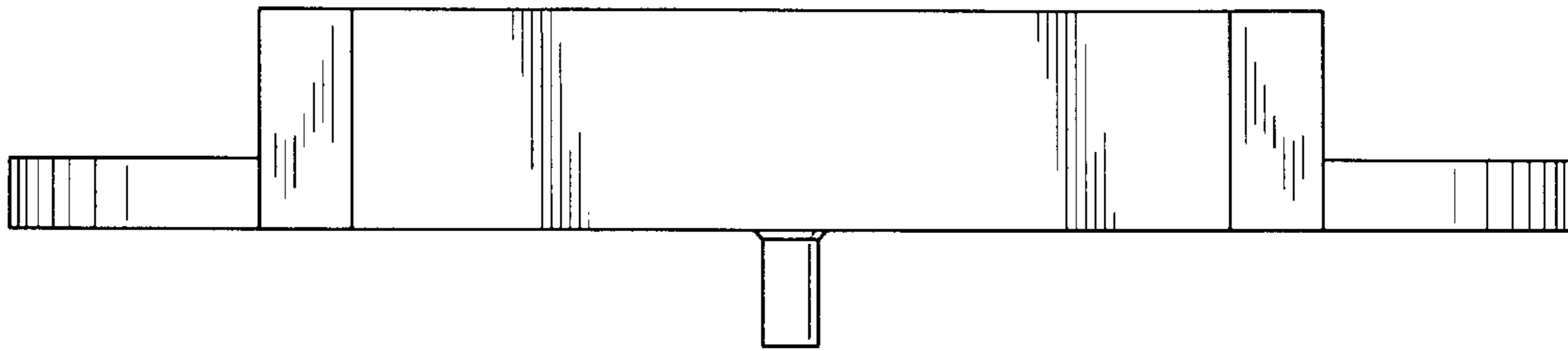


FIG. 3

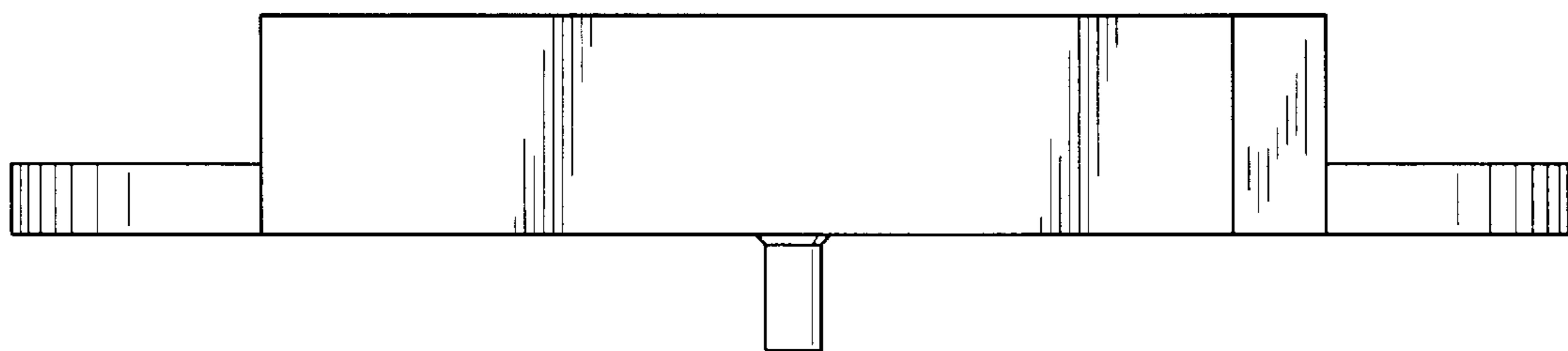


FIG. 4

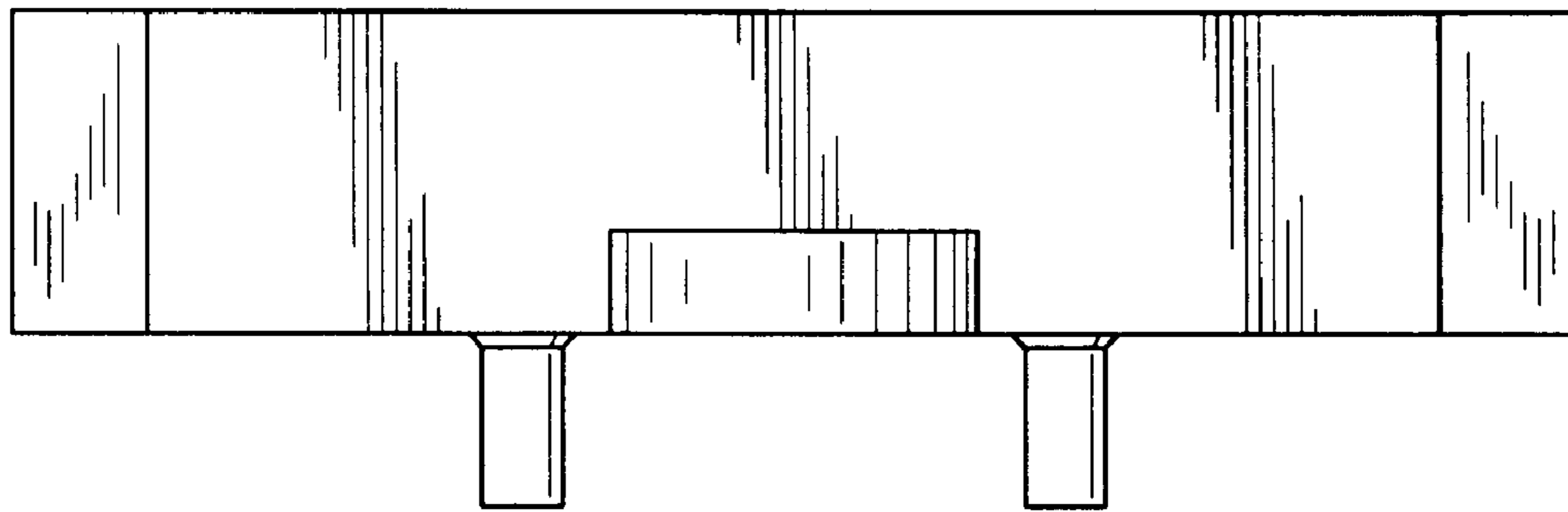


FIG. 5

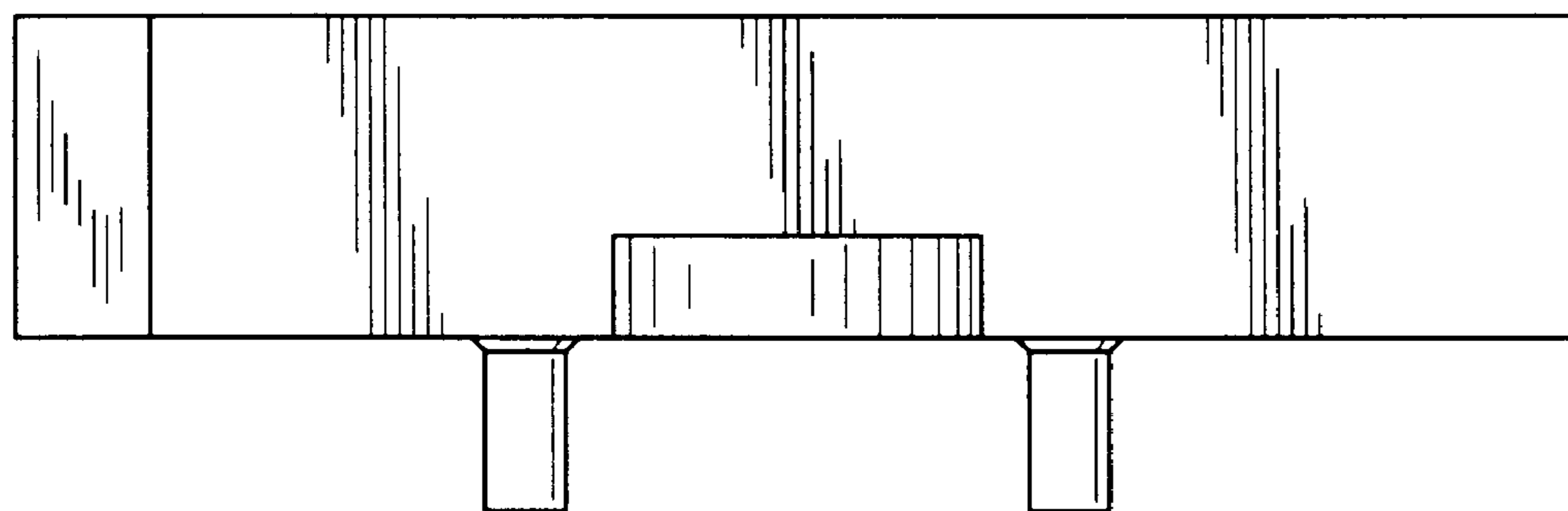


FIG. 6

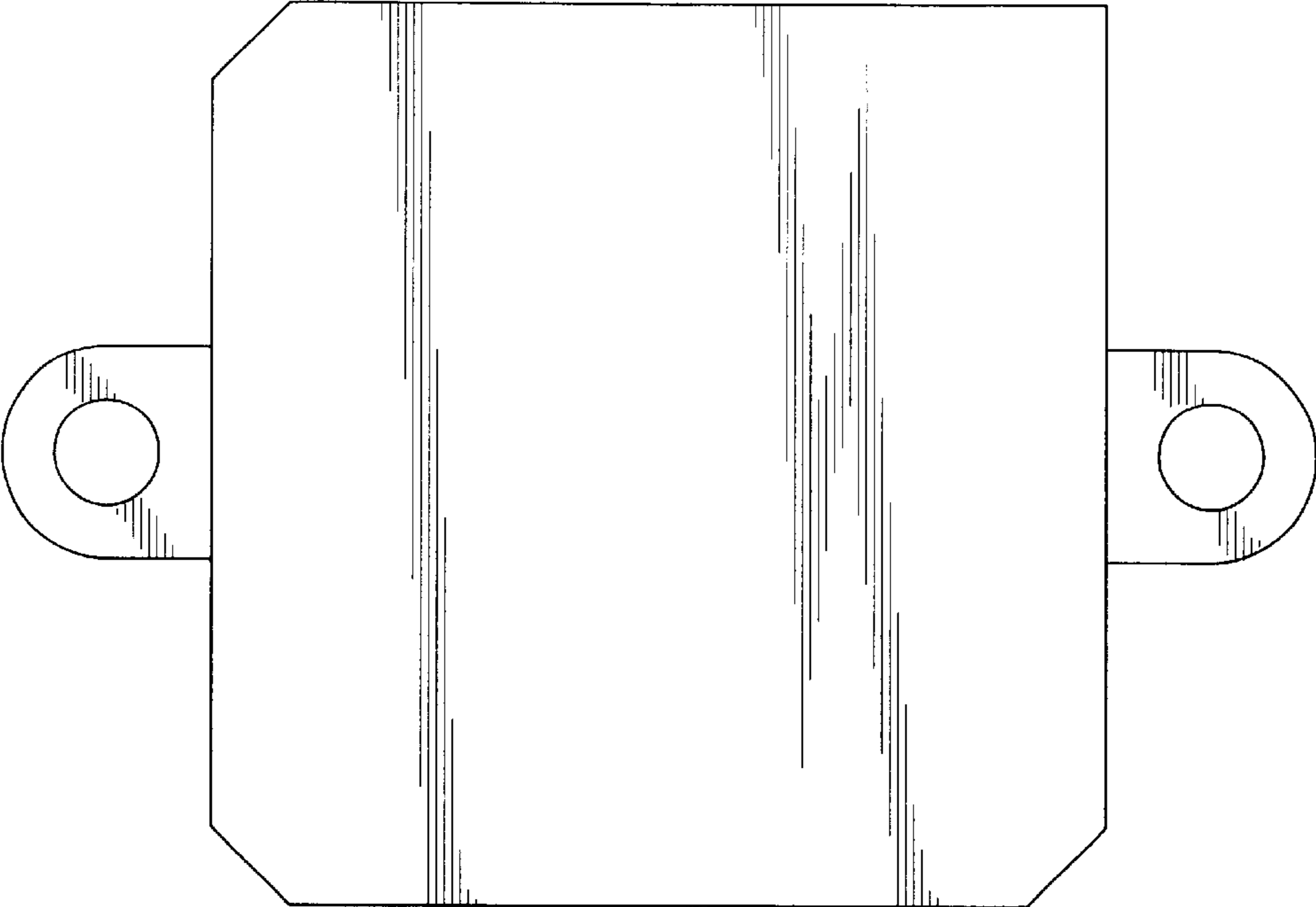


FIG. 7

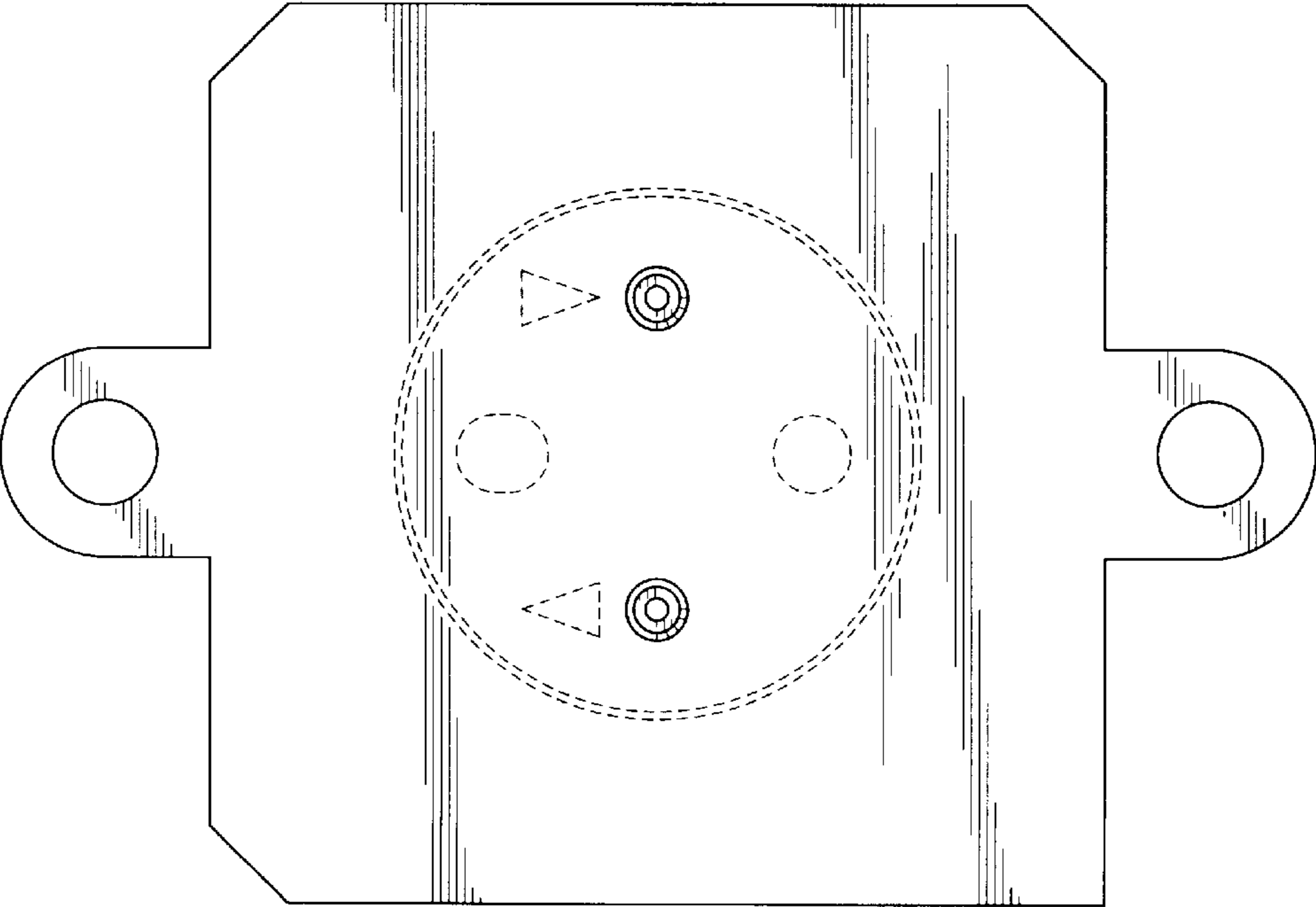


FIG. 8