



US00D517084S

(12) **United States Design Patent**  
**Zhou et al.**

(10) **Patent No.:** **US D517,084 S**  
(45) **Date of Patent:** **\*\* Mar. 14, 2006**

(54) **FRONT BEZEL FOR COMPUTER ENCLOSURE**

D431,825 S \* 10/2000 Jean et al. .... D14/444  
D439,254 S \* 3/2001 Zhao ..... D14/441  
D468,744 S \* 1/2003 Chien et al. .... D14/444

(75) Inventors: **Chang-Sheng Zhou**, Shenzhen (CN);  
**Chun-Chi Liang**, Tu-Cheng (TW);  
**Jing-Renn Yu**, Tu-Cheng (TW);  
**Yun-Dong Xu**, Shenzhen (CN); **Rong He**, Shenzhen (CN)

\* cited by examiner

*Primary Examiner*—Freda S. Nunn  
(74) *Attorney, Agent, or Firm*—Wei Te Chung

(73) Assignee: **Hon Hai Precision Ind. Co., Ltd.**,  
Taipei Hsien (TW)

(57) **CLAIM**

The ornamental design for a front bezel for computer enclosure, as shown and described.

(\*\*) Term: **14 Years**

**DESCRIPTION**

(21) Appl. No.: **29/229,888**

(22) Filed: **May 12, 2005**

(30) **Foreign Application Priority Data**

Mar. 18, 2005 (CN) ..... 200530054827.2

(51) **LOC (8) Cl.** ..... **14-02**

(52) **U.S. Cl.** ..... **D14/445**

(58) **Field of Classification Search** ..... D14/441-446;  
D13/162, 184, 199; 312/223.2; 361/680-686,  
361/690-696; D18/41; 360/92  
See application file for complete search history.

FIG. 1 is a perspective view of a front bezel showing our new design mounted on a computer enclosure;  
FIG. 2 is a front elevational view thereof;  
FIG. 3 is a rear elevational view thereof;  
FIG. 4 is a left side elevational view thereof;  
FIG. 5 is a right side elevational view thereof;  
FIG. 6 is a top plan view thereof; and,  
FIG. 7 is a bottom plan view thereof.

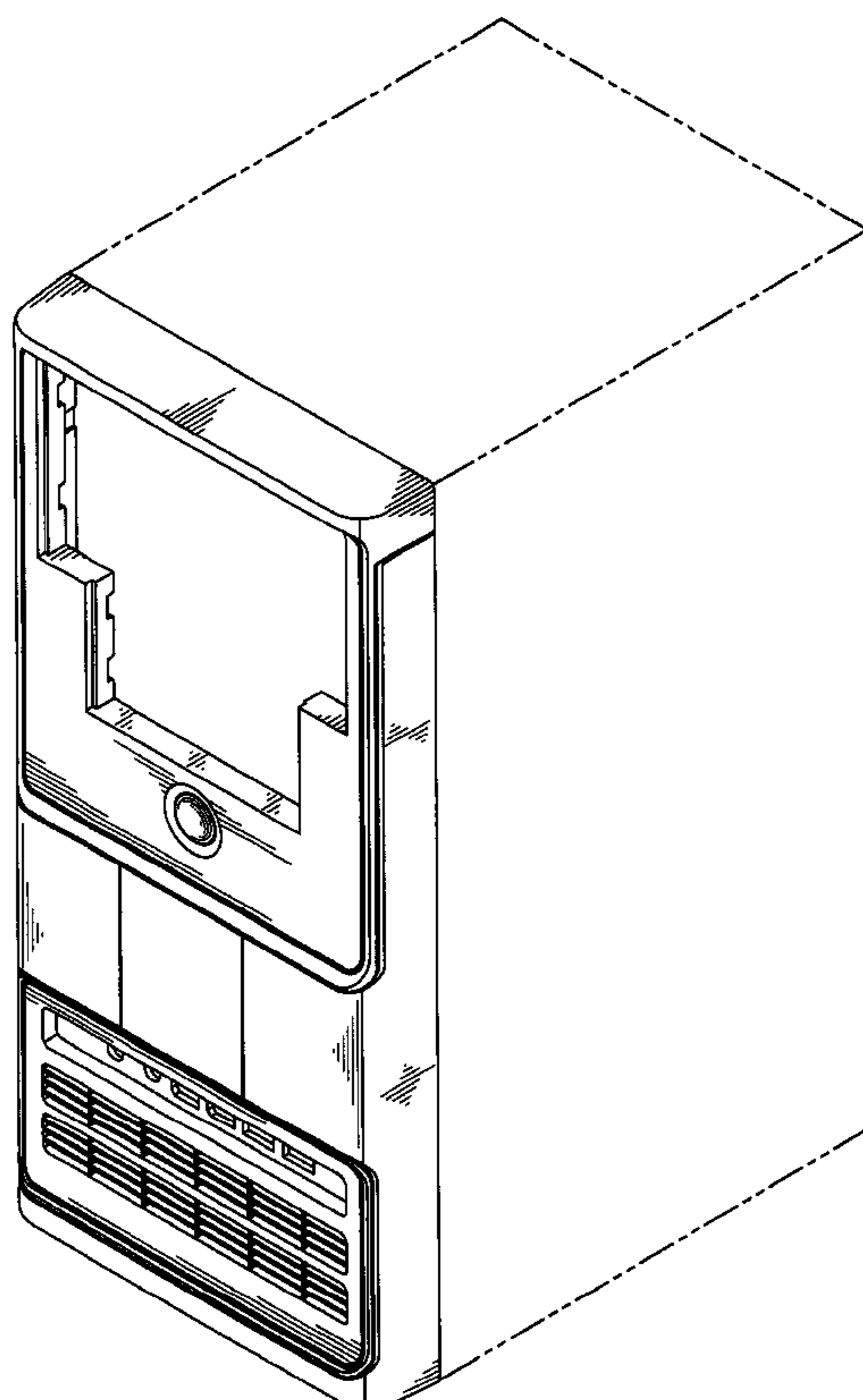
The broken lines shown in the views are for illustrative purposes only and form no part of the claimed design.

(56) **References Cited**

**U.S. PATENT DOCUMENTS**

5,169,218 A \* 12/1992 Chu ..... 312/223.2

**1 Claim, 7 Drawing Sheets**



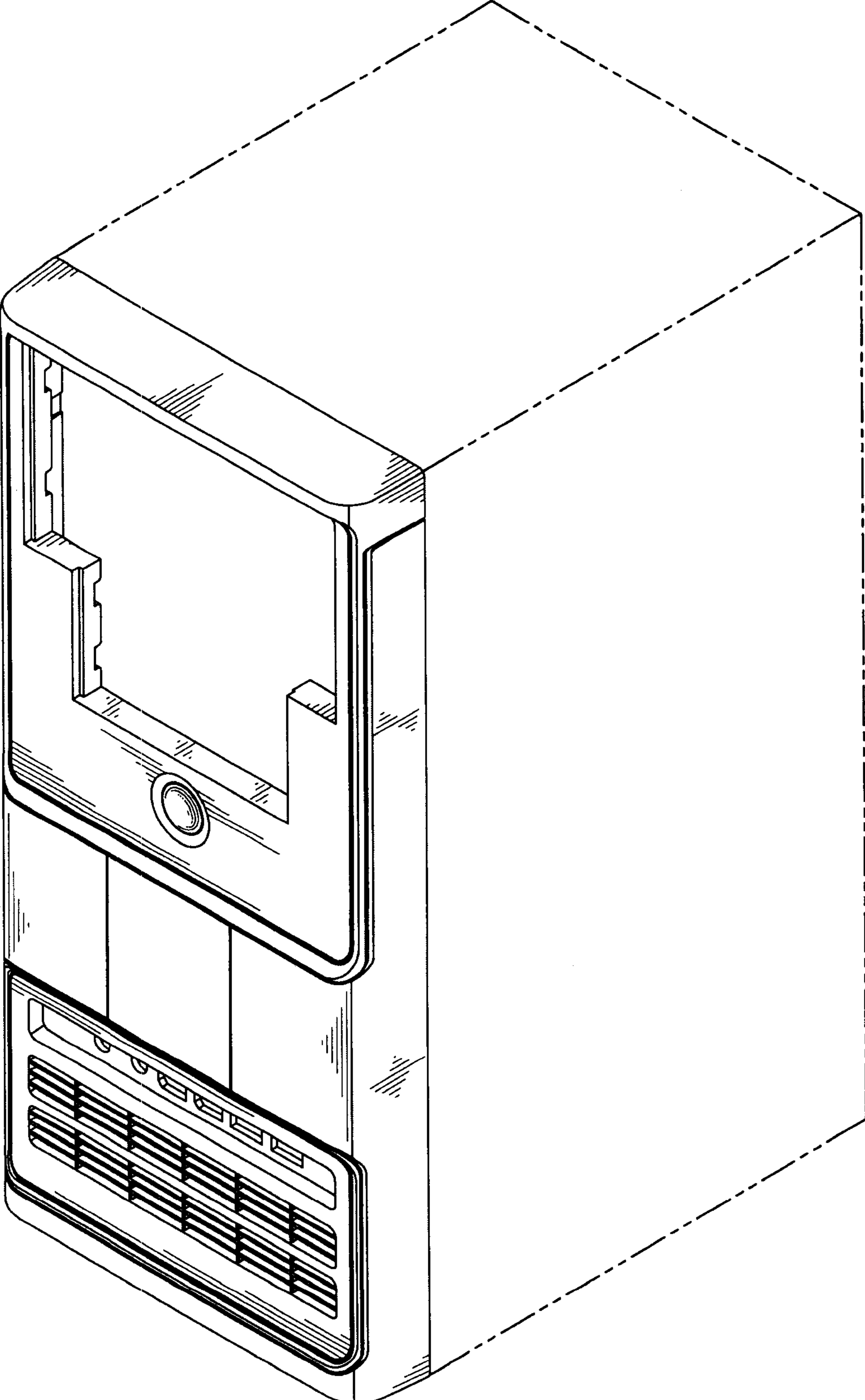


FIG. 1

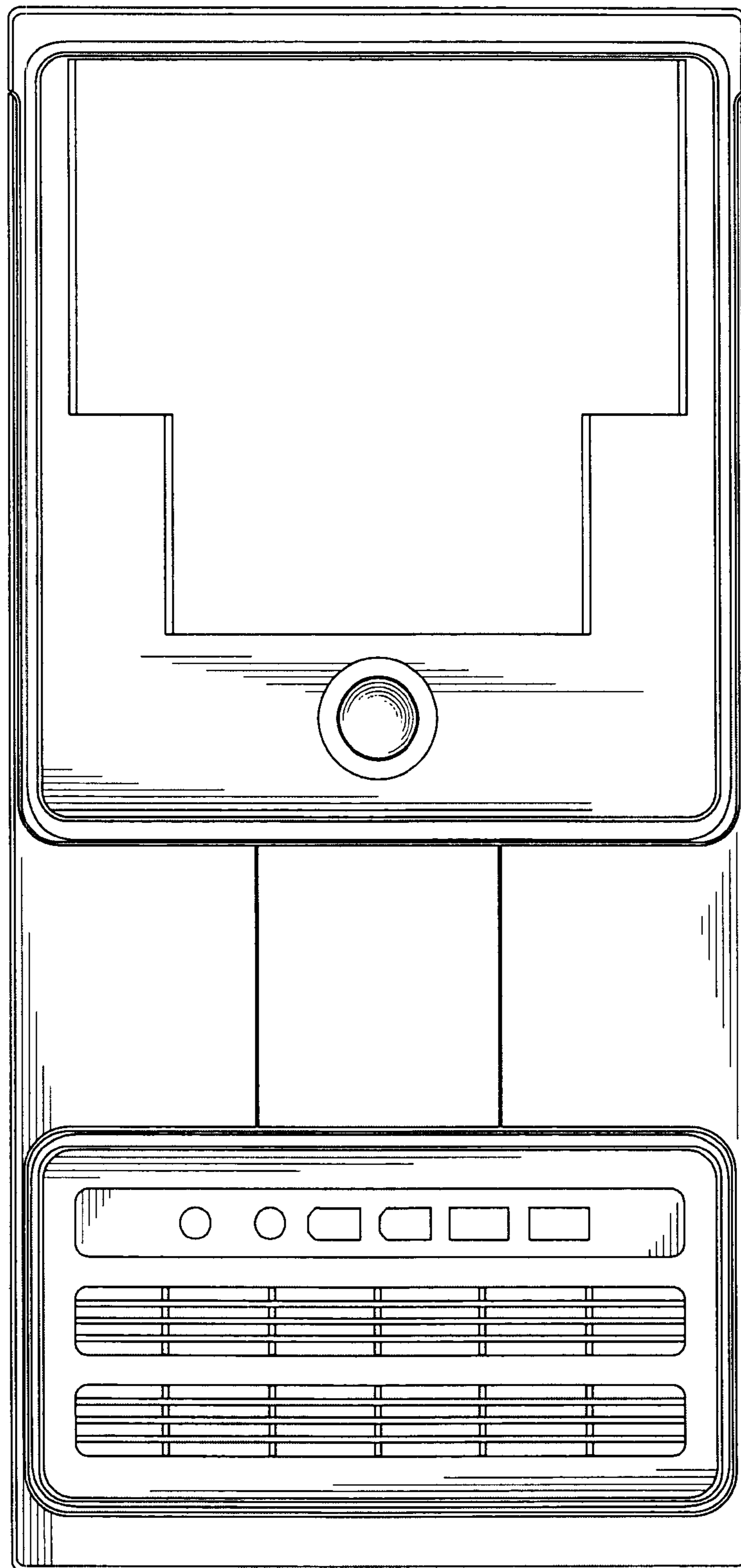


FIG. 2

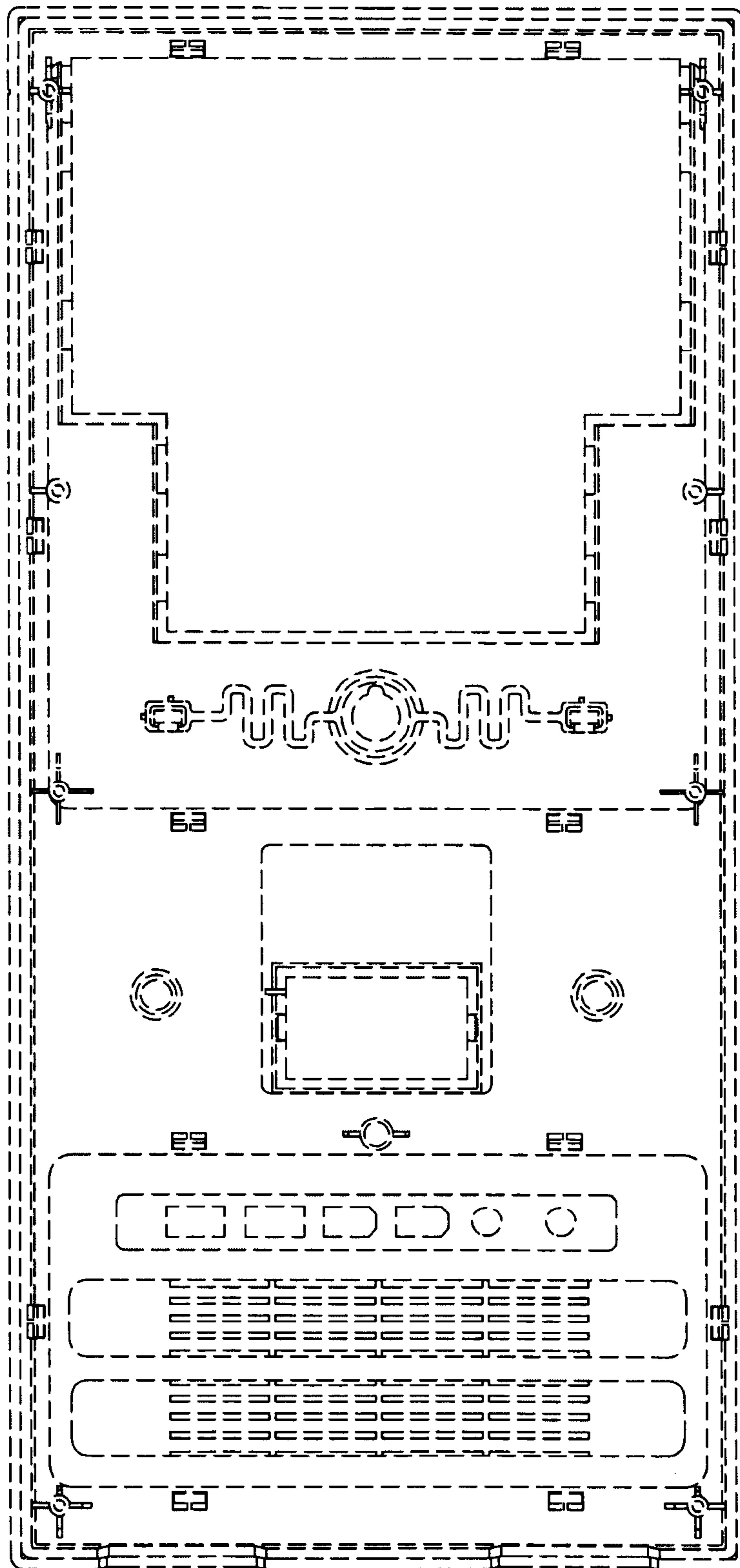


FIG. 3

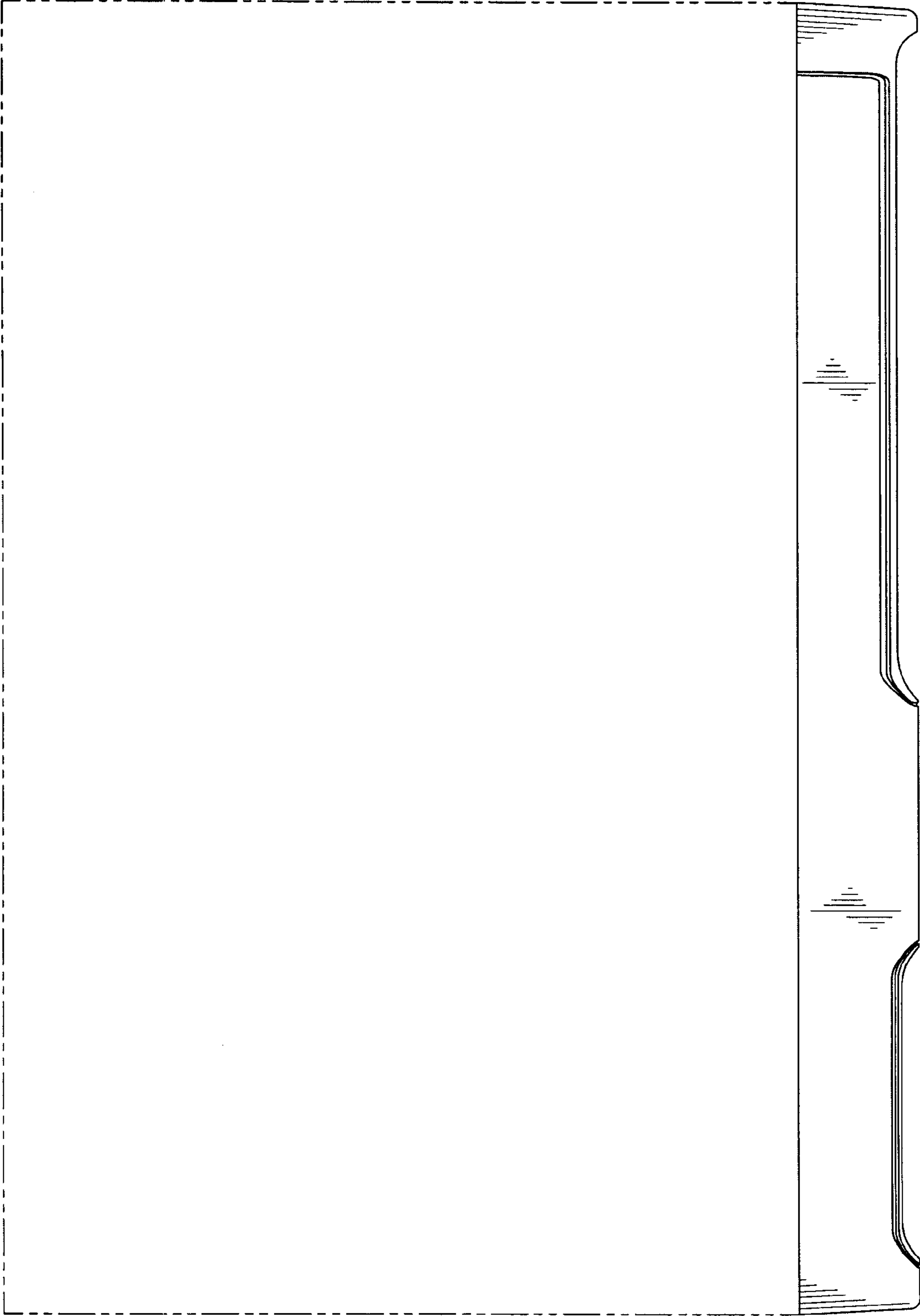


FIG. 4

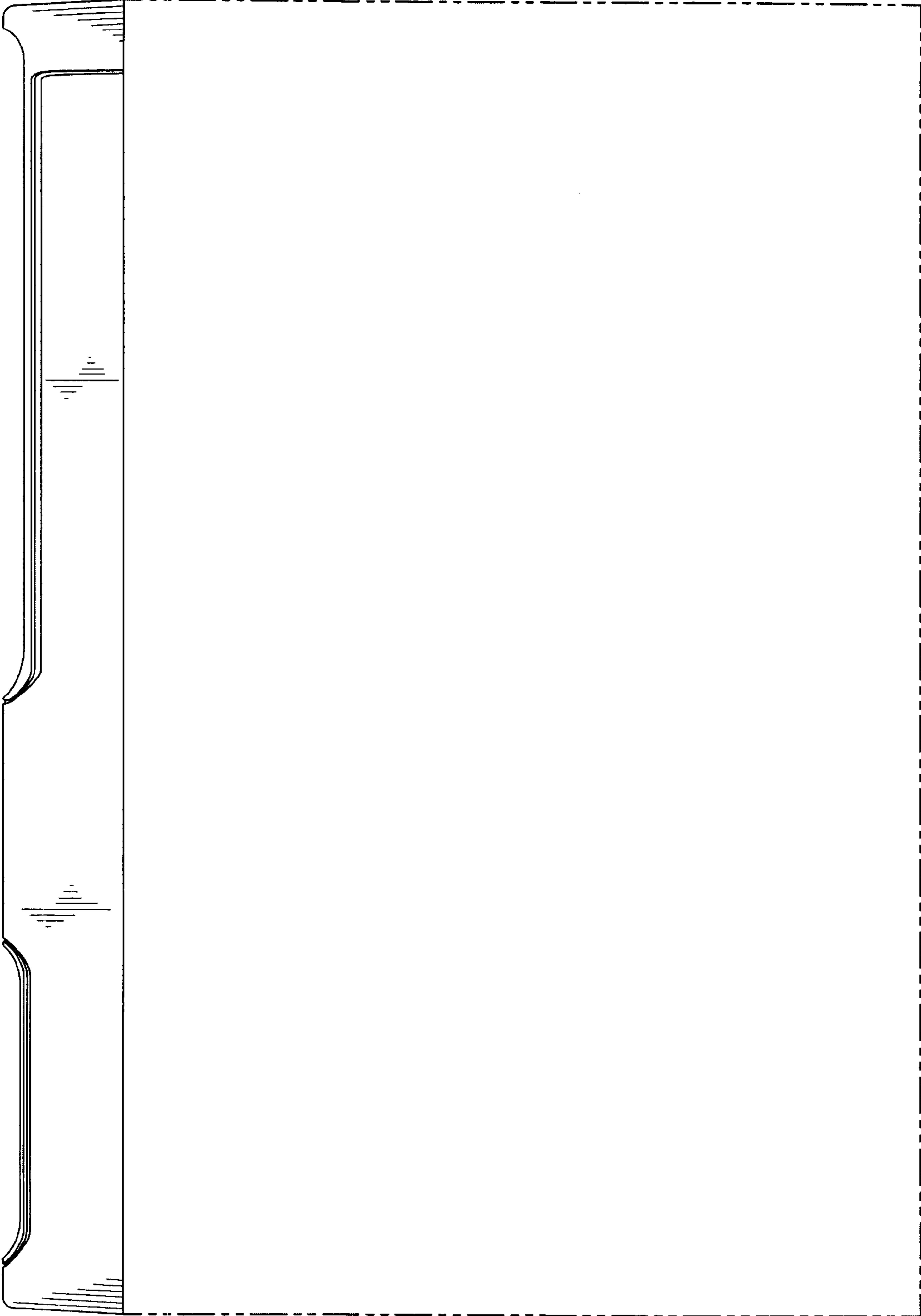


FIG. 5



FIG. 6



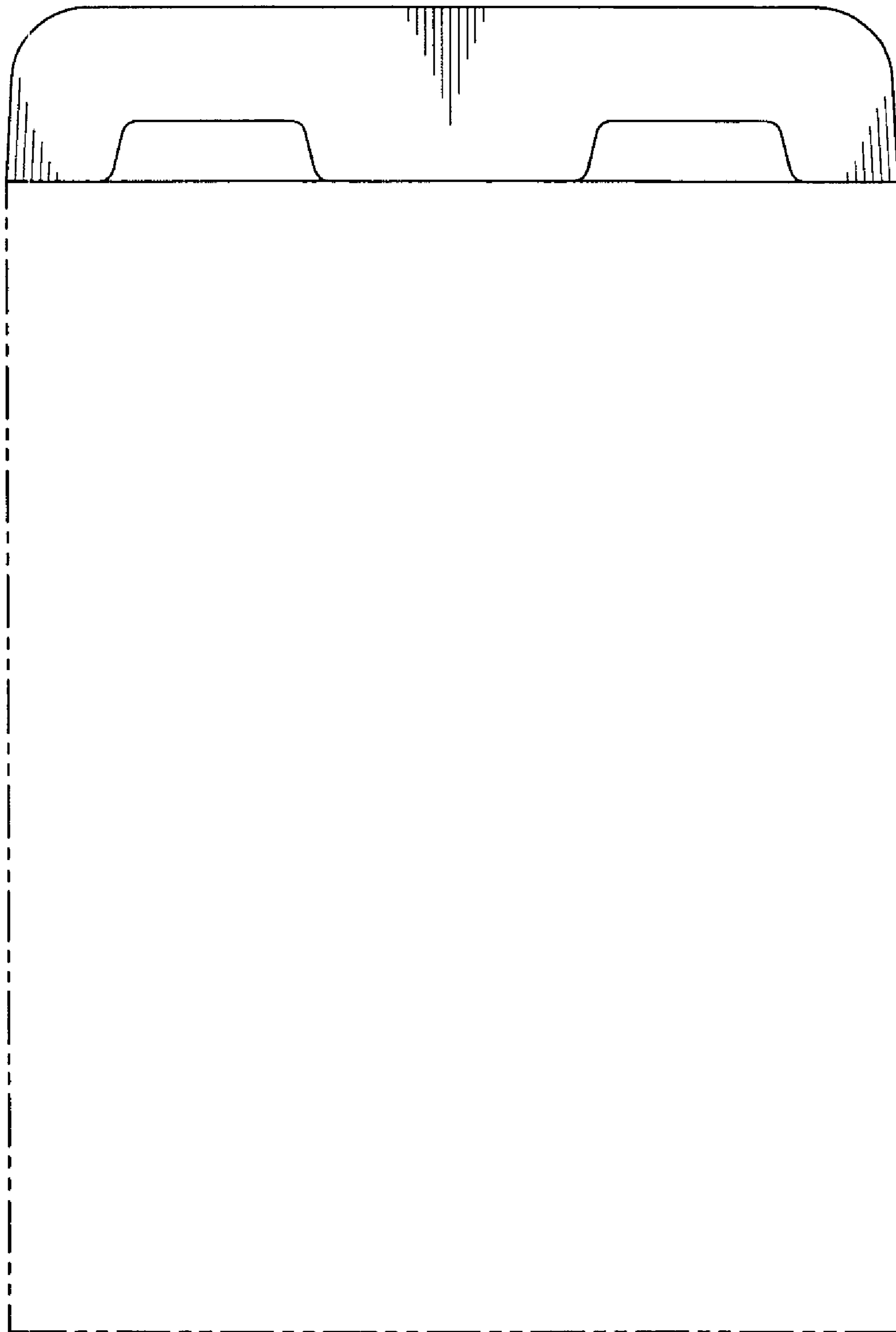


FIG. 7