



US00D517076S

(12) **United States Design Patent**
Zhang et al.

(10) **Patent No.: US D517,076 S**
(45) **Date of Patent: ** Mar. 14, 2006**

- (54) **FRONT BEZEL FOR COMPUTER ENCLOSURE**
- (75) Inventors: **Ding-Ding Zhang**, Shenzhen (CN);
Chun-Chi Liang, Tu-Chen (TW);
Yun-Dong Xu, Shenzhen (CN)
- (73) Assignee: **Hon Hai Precision Ind. Co., LTD**,
Taipei Hsien (TW)
- (**) Term: **14 Years**

- (21) Appl. No.: **29/216,055**
- (22) Filed: **Oct. 27, 2004**
- (51) **LOC (8) Cl.** **14-02**
- (52) **U.S. Cl.** **D14/444**
- (58) **Field of Classification Search** D14/441-446;
D13/162, 184, 199; 312/223.2; 361/686,
361/690-696; 369/34.01, 36.01
See application file for complete search history.

(56) **References Cited**

U.S. PATENT DOCUMENTS

D438,517 S	*	3/2001	Chen et al.	D14/444
D459,357 S	*	6/2002	Lo	D14/444
D476,992 S	*	7/2003	Chien et al.	D14/444

* cited by examiner

Primary Examiner—Freda S. Nunn
(74) *Attorney, Agent, or Firm*—Wei Te Chung

(57) **CLAIM**

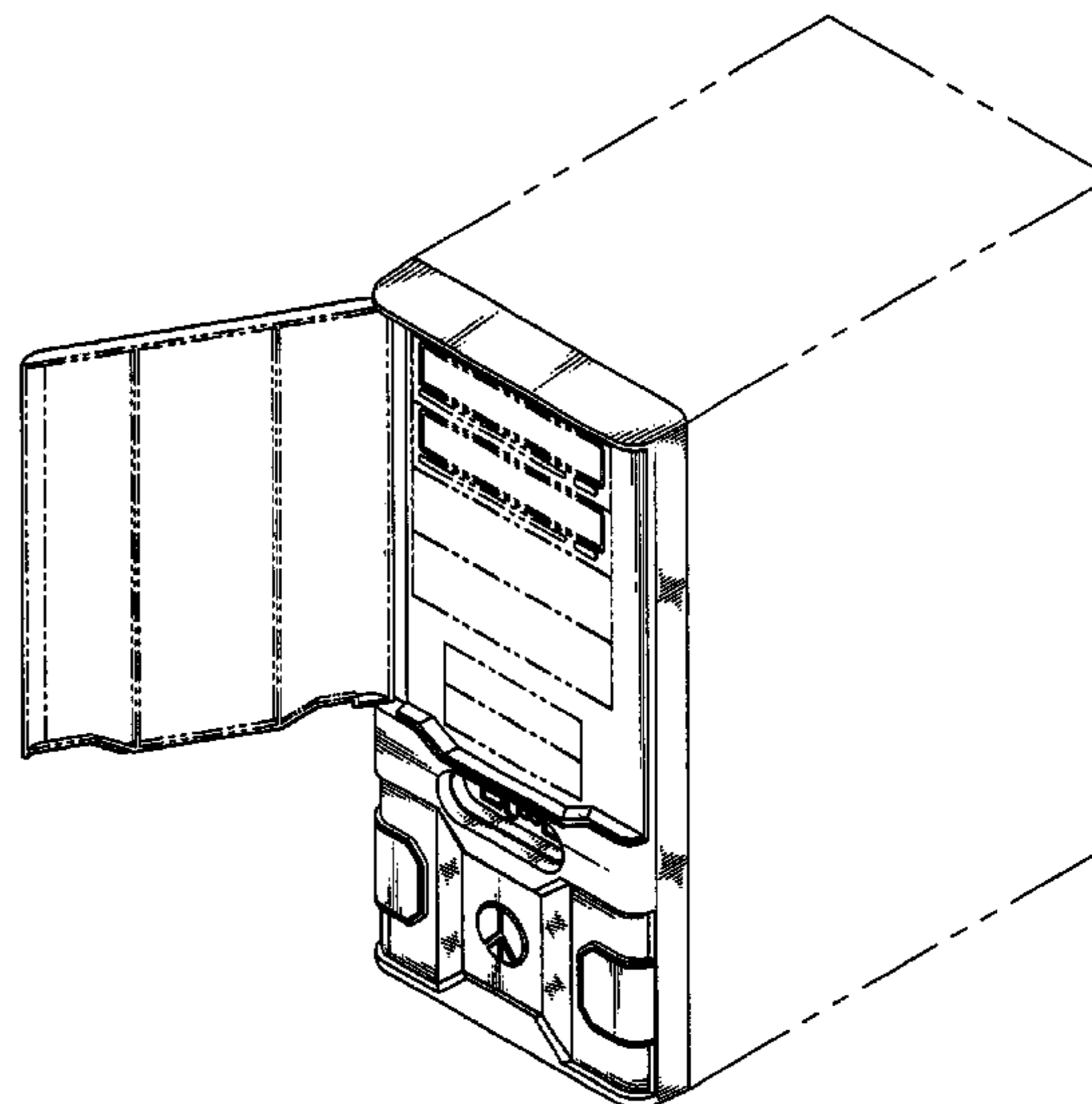
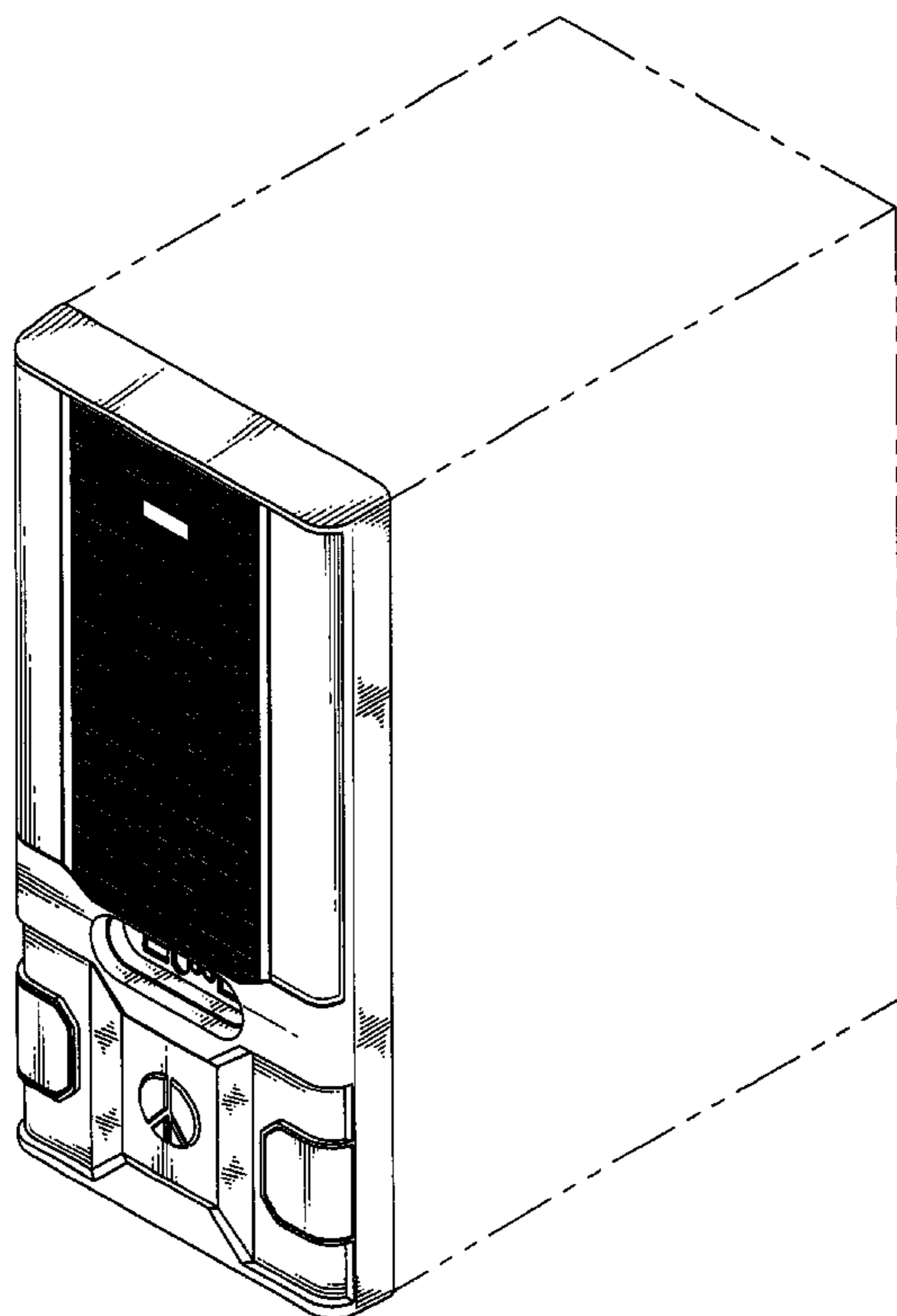
The ornamental design for a front bezel for computer enclosure, as shown and described.

DESCRIPTION

FIG. 1 is a perspective view of a front bezel for computer enclosure showing our new design mounted on a computer enclosure;
 FIG. 2 is a front elevational view thereof;
 FIG. 3 is a rear elevational view thereof;
 FIG. 4 is a left side elevational view thereof;
 FIG. 5 is a right side elevational view thereof;
 FIG. 6 is a top plan view thereof;
 FIG. 7 is a bottom plan view thereof; and,
 FIG. 8 is another perspective view thereof in using condition for explanatory purpose only and in a reduced scale, wherein the parts shown in broken line forms no part of the claimed design.

The broken line showing of a computer enclosure in the views is for illustrative environmental purposes only and forms no part of the claimed design.

1 Claim, 8 Drawing Sheets



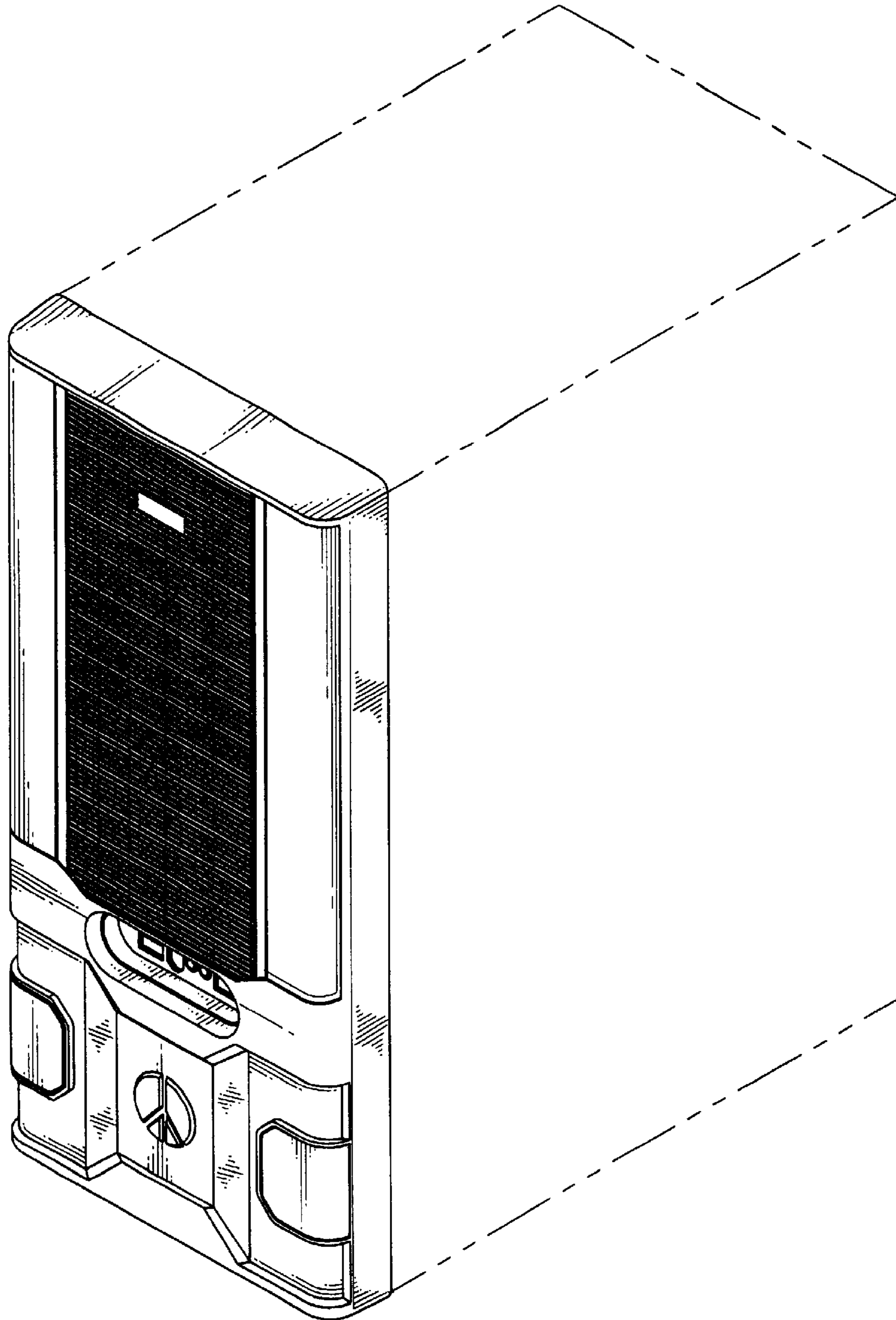


FIG. 1

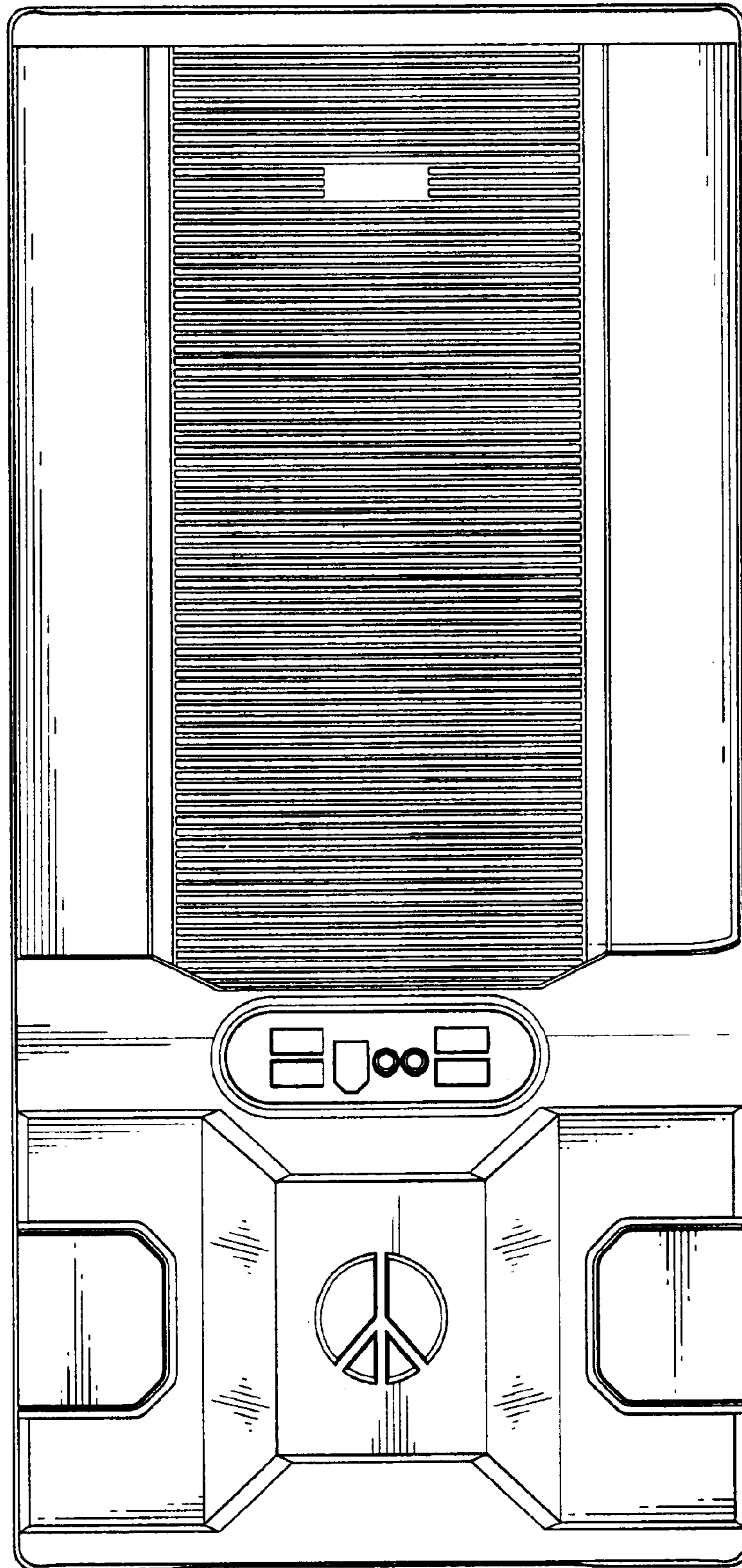


FIG. 2

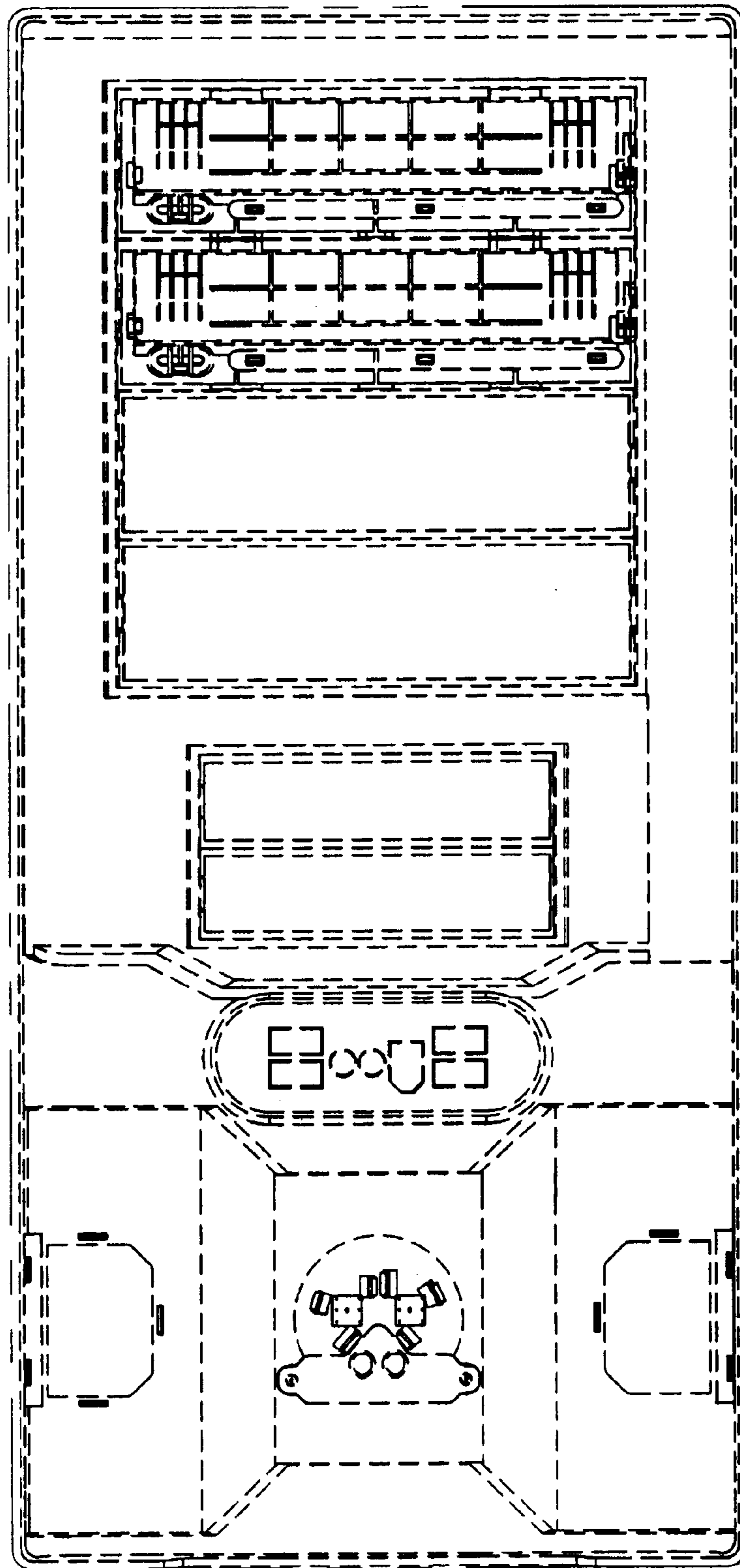


FIG. 3

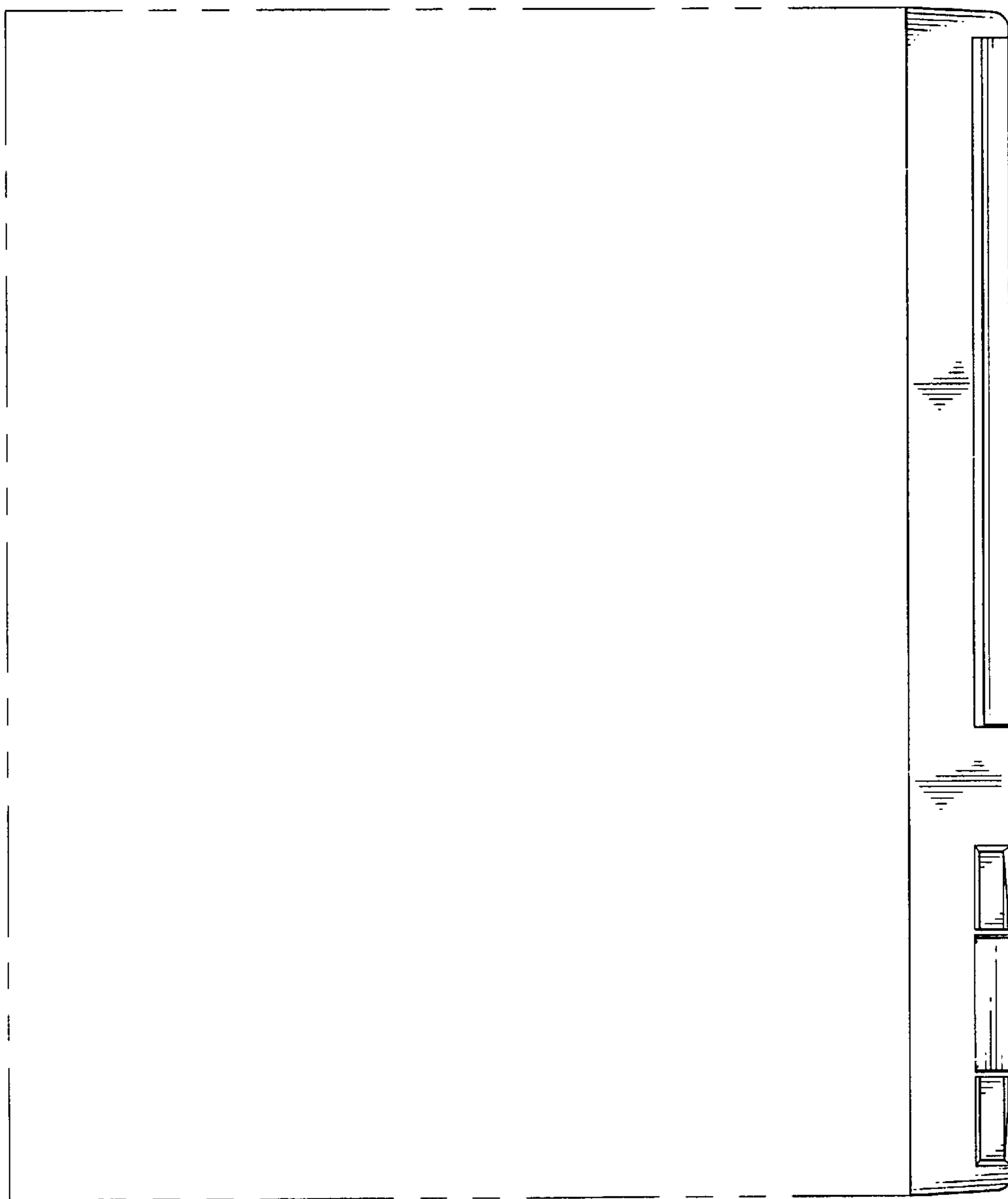


FIG. 4

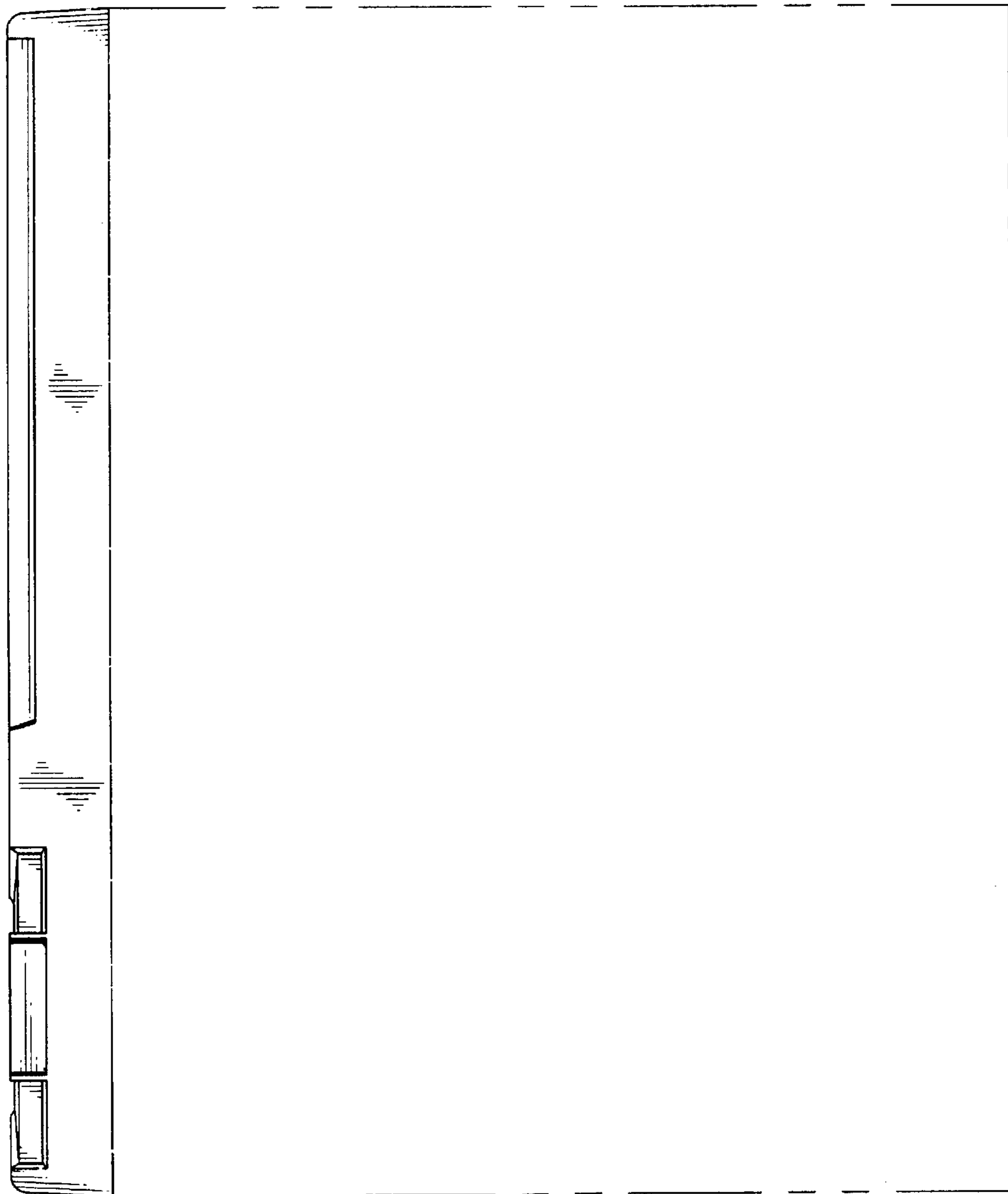


FIG. 5

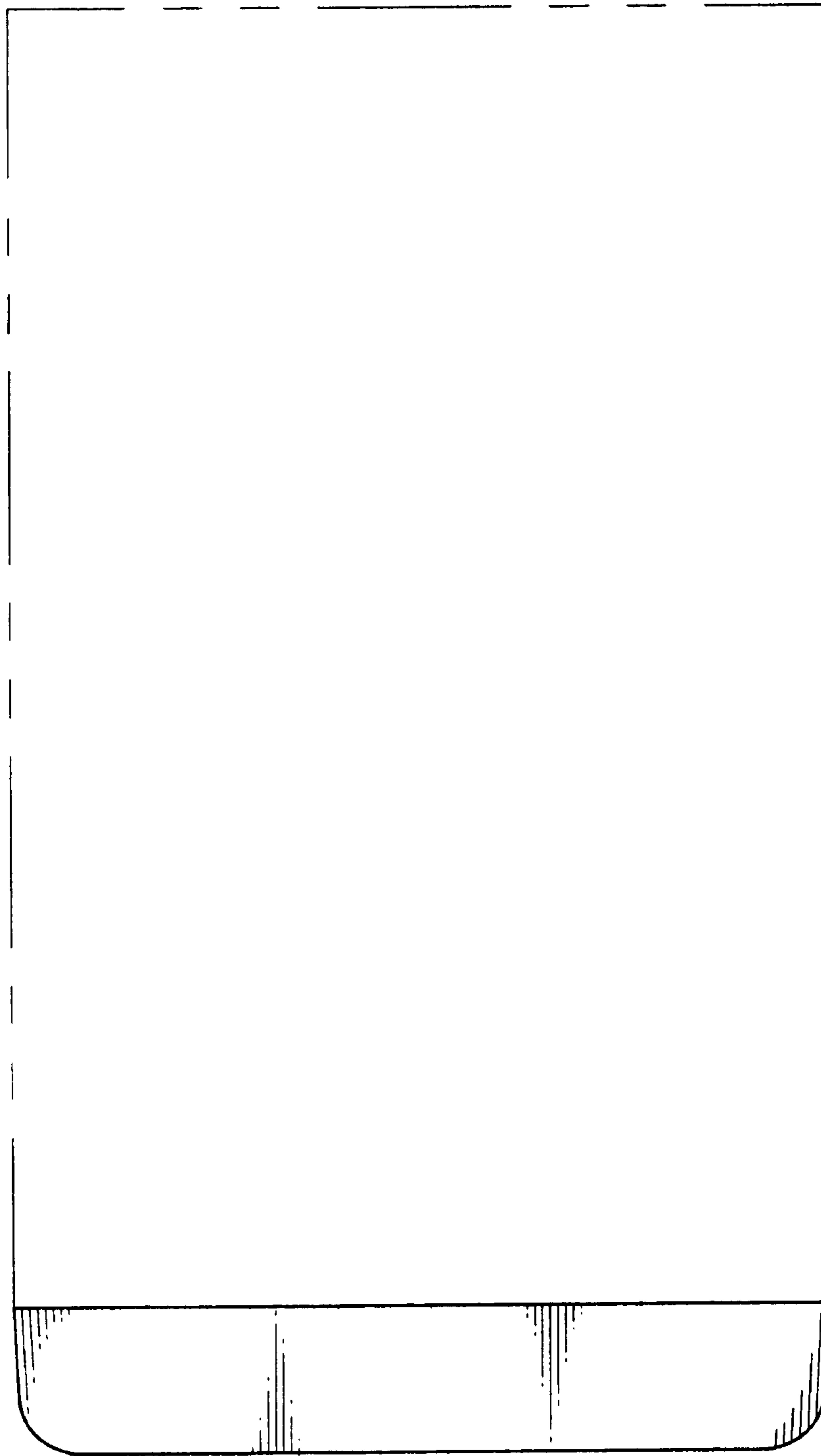


FIG. 6

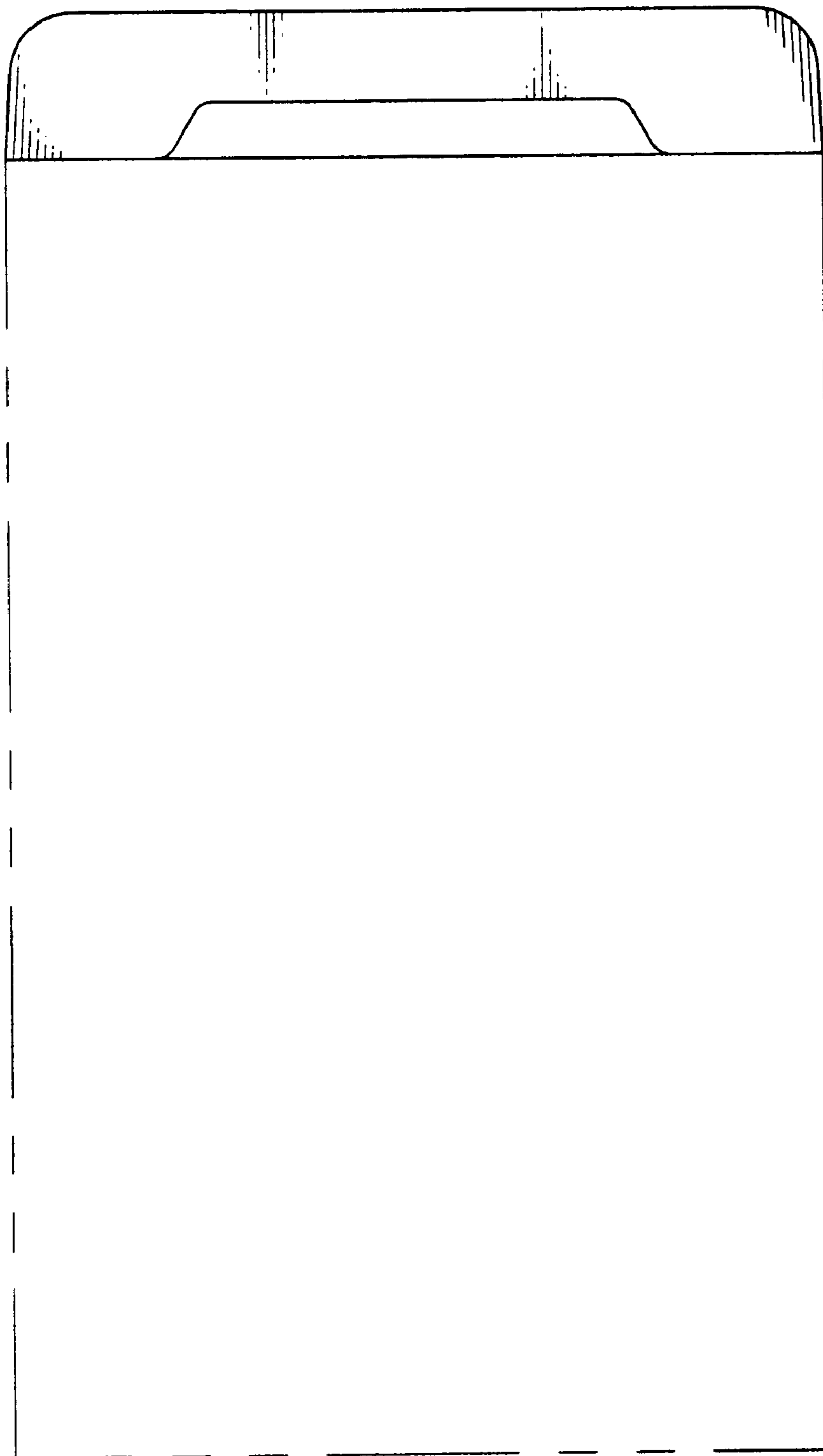


FIG. 7

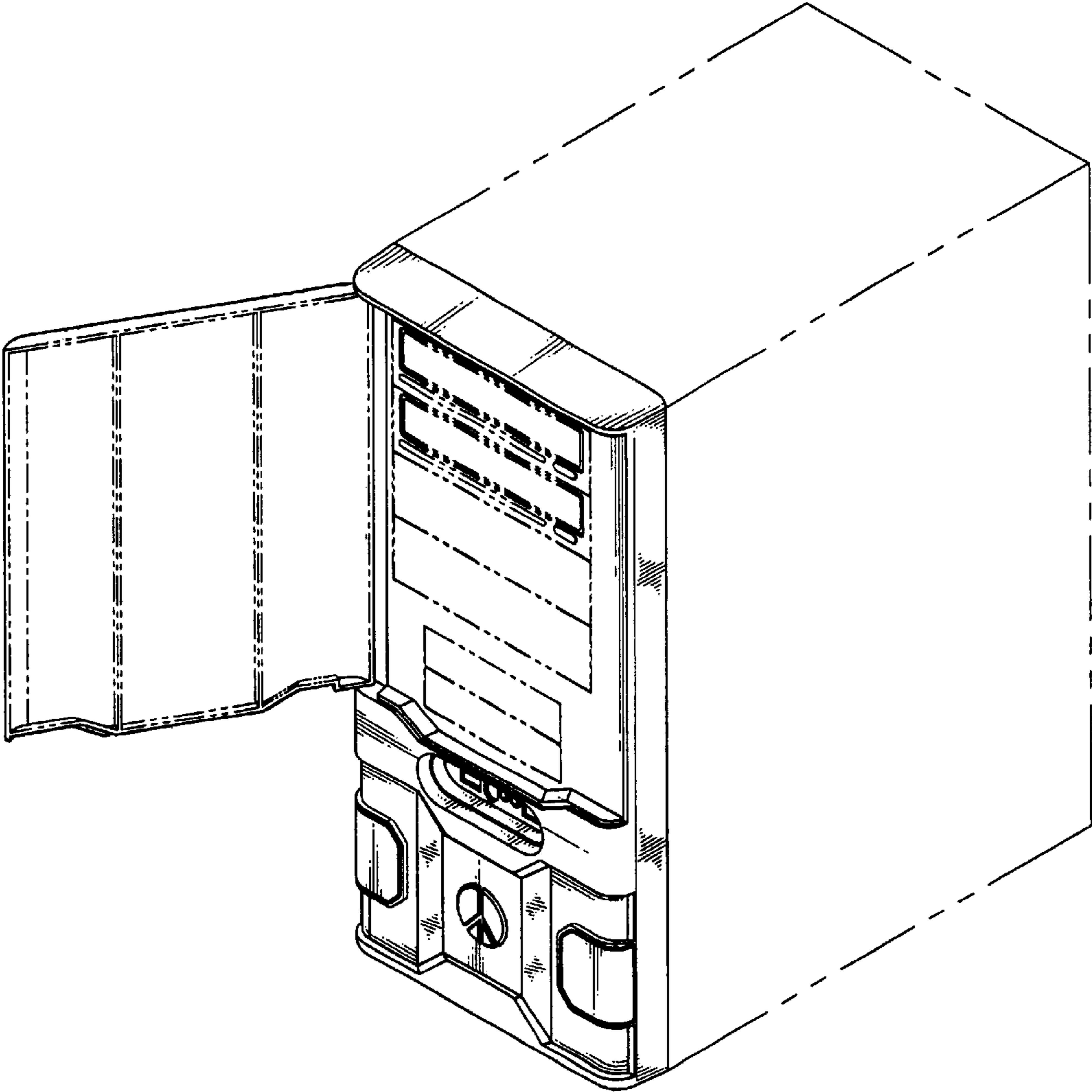


FIG. 8