



US00D517071S

(12) **United States Design Patent**  
**Cao et al.**

(10) **Patent No.: US D517,071 S**  
(45) **Date of Patent: \*\* Mar. 14, 2006**

(54) **AUDIO SIGNAL ADAPTER**  
(75) Inventors: **Rongyu Cao, Tucheng (TW);**  
**Mingcheng Zi, Tucheng (TW)**  
(73) Assignee: **Cheng Uei Precision Industry Co.,**  
**Ltd., Taipei (TW)**  
(\*\*) Term: **14 Years**

6,238,291 B1 \* 5/2001 Fujimoto et al. .... 463/44  
D466,130 S \* 11/2002 Hussaini et al. .... D14/496  
D470,499 S \* 2/2003 Salazar et al. .... D14/436  
D475,994 S \* 6/2003 Schmidt et al. .... D14/223  
D493,175 S \* 7/2004 Schmidt et al. .... D14/433  
D494,571 S \* 8/2004 Polito ..... D14/223  
6,809,722 B1 \* 10/2004 Mei et al. .... 345/163  
6,837,435 B1 \* 1/2005 Kehoe et al. .... 235/472.01

\* cited by examiner

(21) Appl. No.: **29/219,493**  
(22) Filed: **Dec. 20, 2004**

*Primary Examiner*—Prabhakar Deshmukh  
(74) *Attorney, Agent, or Firm*—Rosenberg, Klein & Lee

(51) **LOC (8) Cl.** ..... **14-02**  
(52) **U.S. Cl.** ..... **D14/433; D14/496**  
(58) **Field of Classification Search** ..... D14/496,  
D14/432, 433, 217, 242, 483; 273/148 B;  
463/30–35, 39–42, 45–47; 345/163; 361/686,  
361/679; 379/399.01, 413.02, 413.04, 428.01,  
379/908  
See application file for complete search history.

(57) **CLAIM**

The ornamental design for an audio signal adapter, as shown and described following.

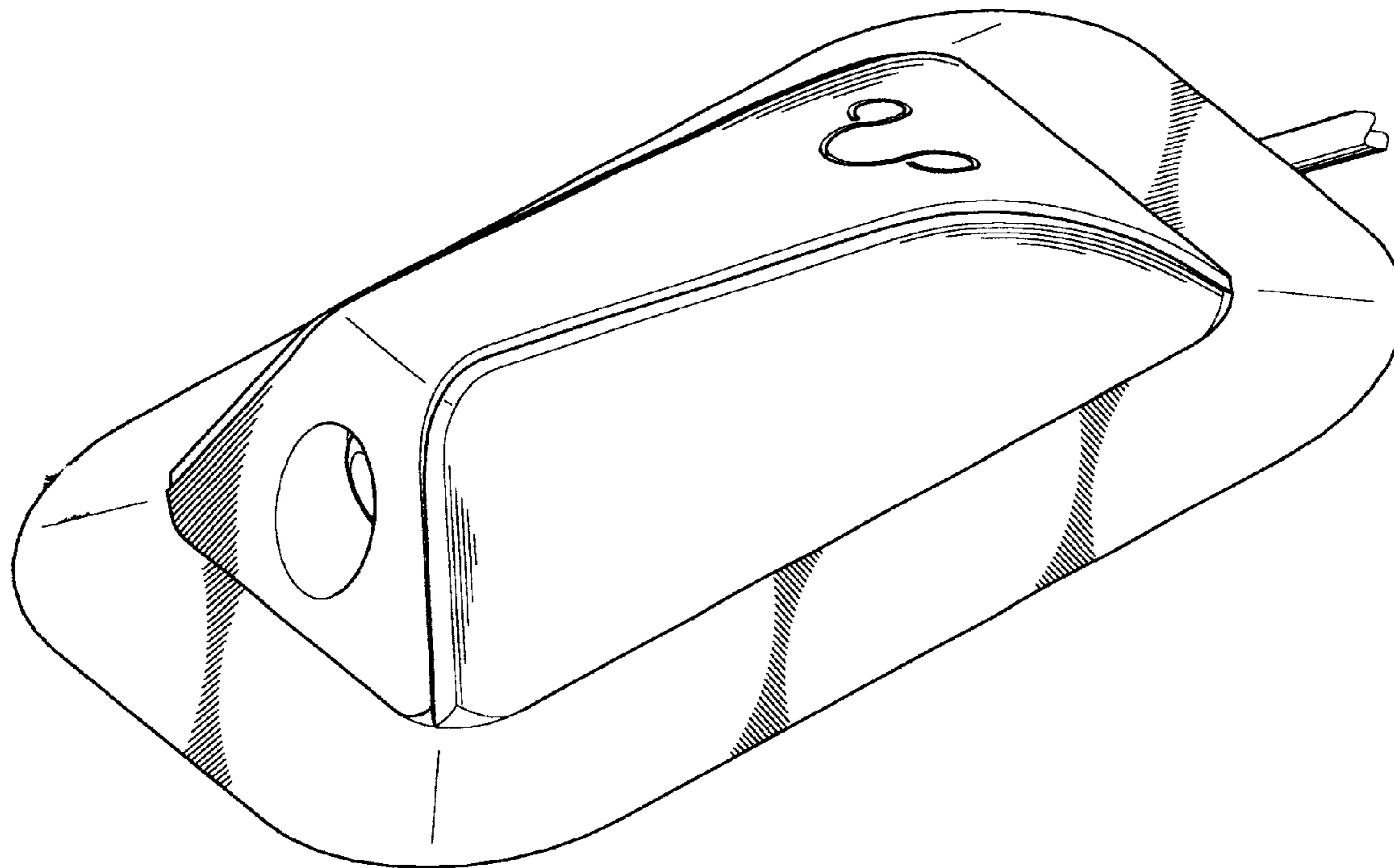
**DESCRIPTION**

FIG. 1 is a perspective view of an audio signal adapter showing the new design;  
FIG. 2 is a front elevational view thereof;  
FIG. 3 is a rear elevational view thereof;  
FIG. 4 is a left side elevational view thereof;  
FIG. 5 is a right side elevational view thereof;  
FIG. 6 is a top plan view thereof; and,  
FIG. 7 is a bottom plan view thereof.

(56) **References Cited**  
**U.S. PATENT DOCUMENTS**

3,978,524 A \* 8/1976 Gordon et al. .... 369/1  
5,455,859 A \* 10/1995 Gutzmer ..... 379/442  
5,586,090 A \* 12/1996 Otte ..... 369/2  
D440,980 S \* 4/2001 Chung ..... D14/496

**1 Claim, 5 Drawing Sheets**



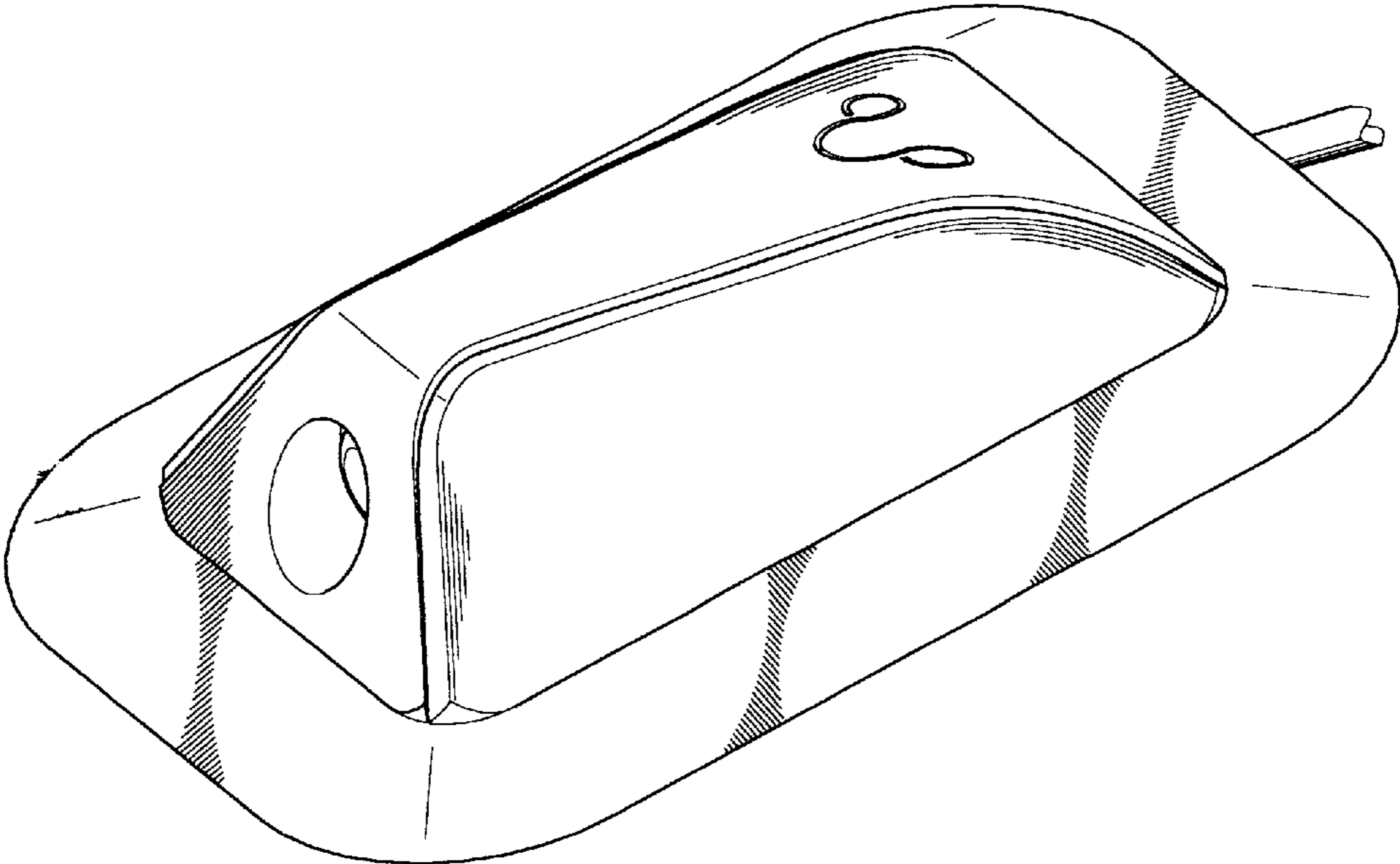


FIG.1

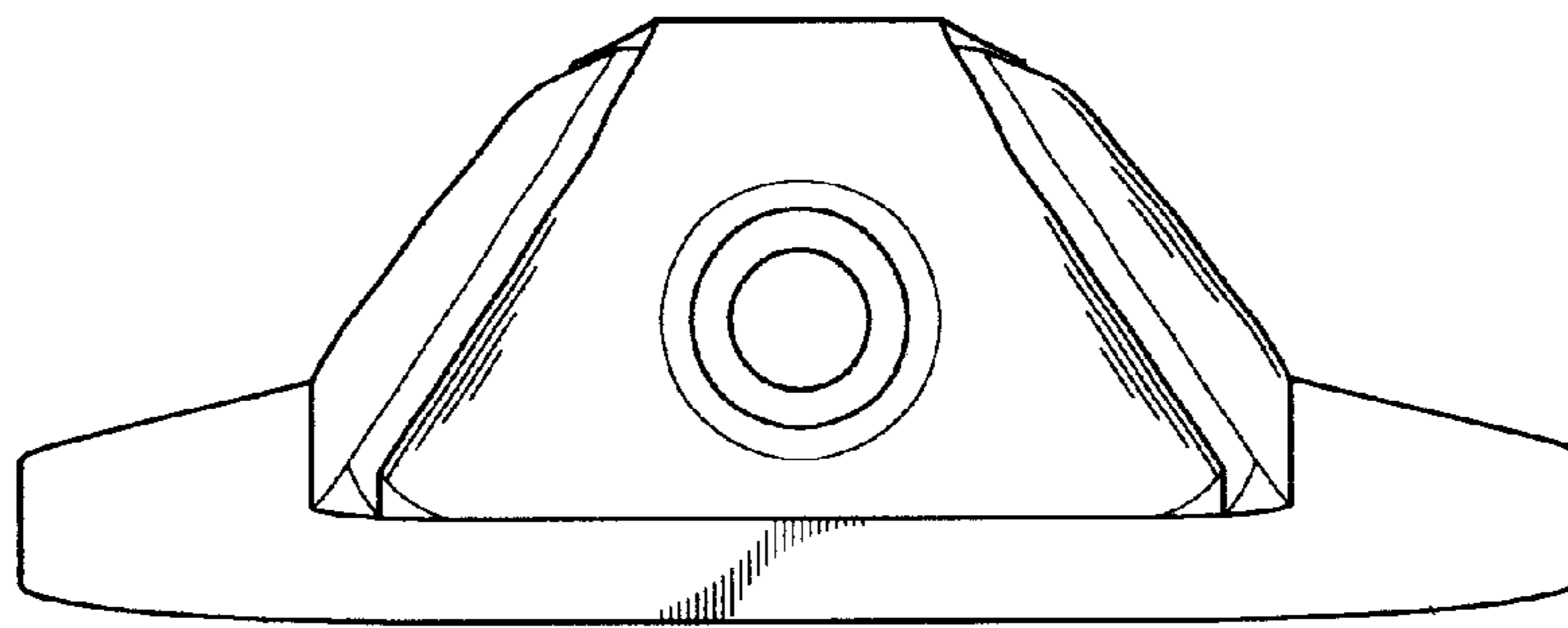


FIG. 2

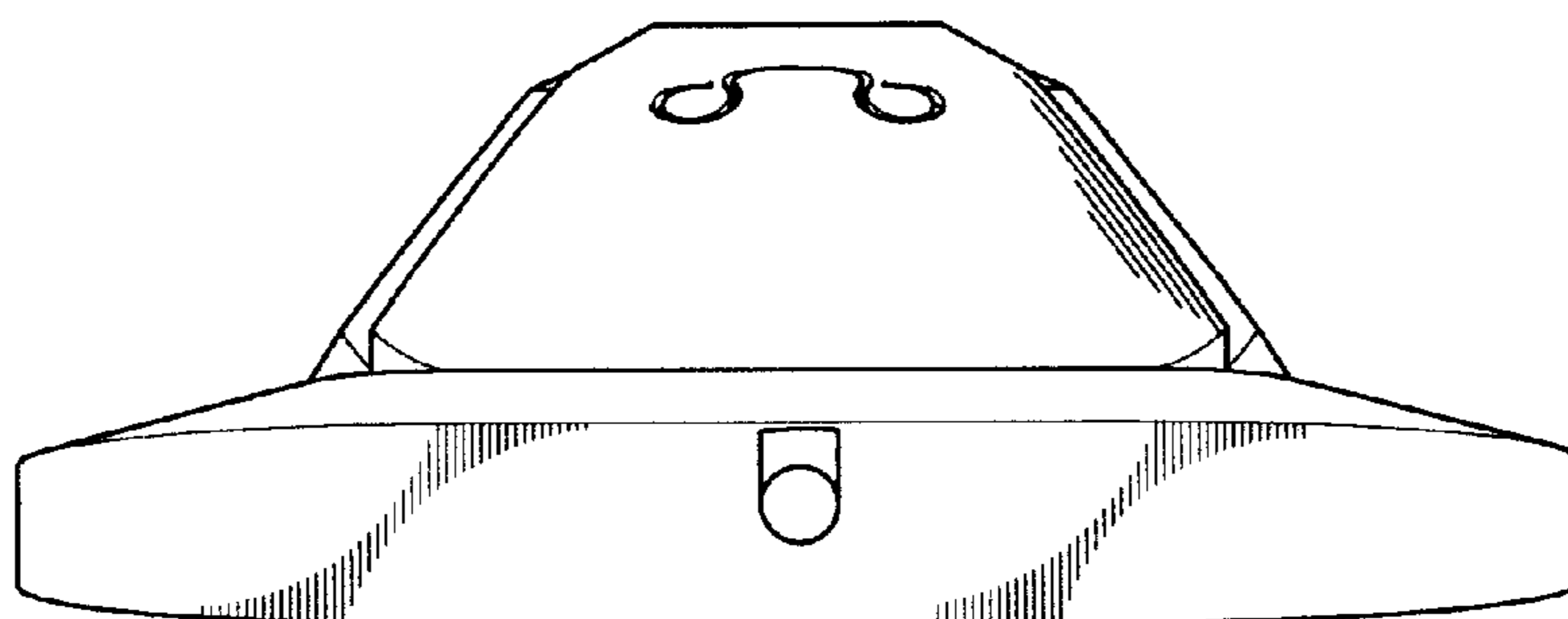


FIG. 3

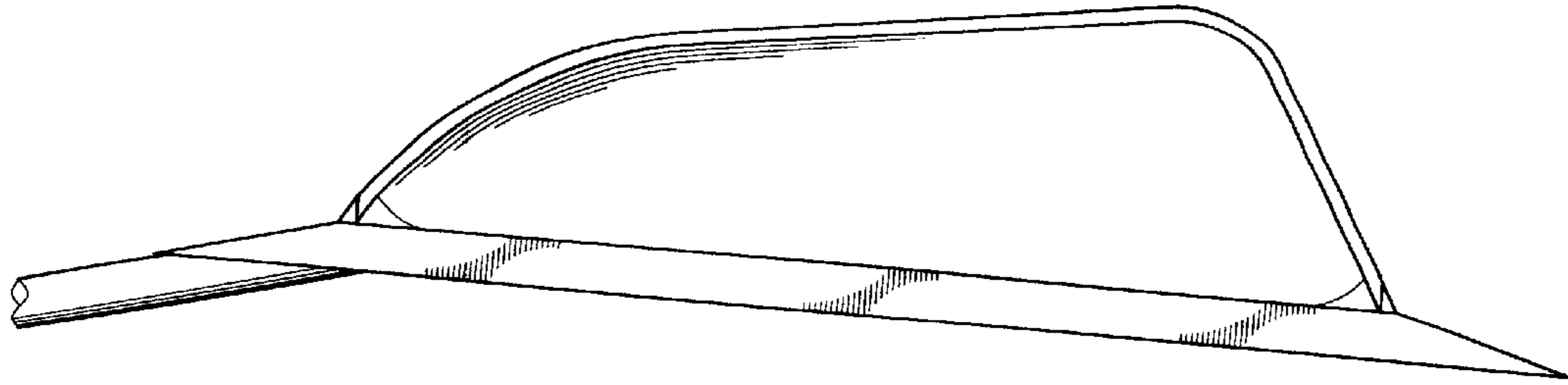


FIG. 4

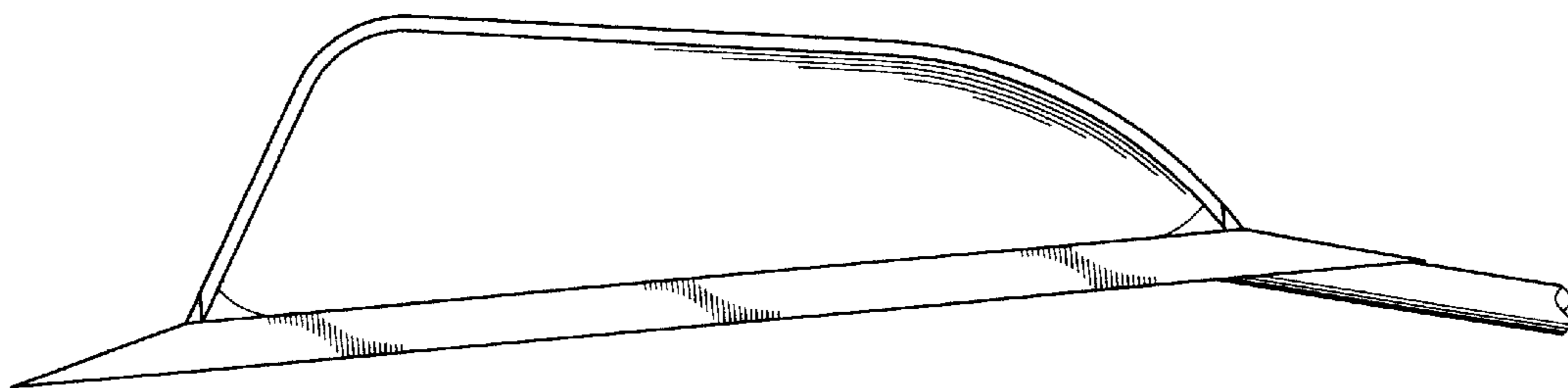


FIG. 5

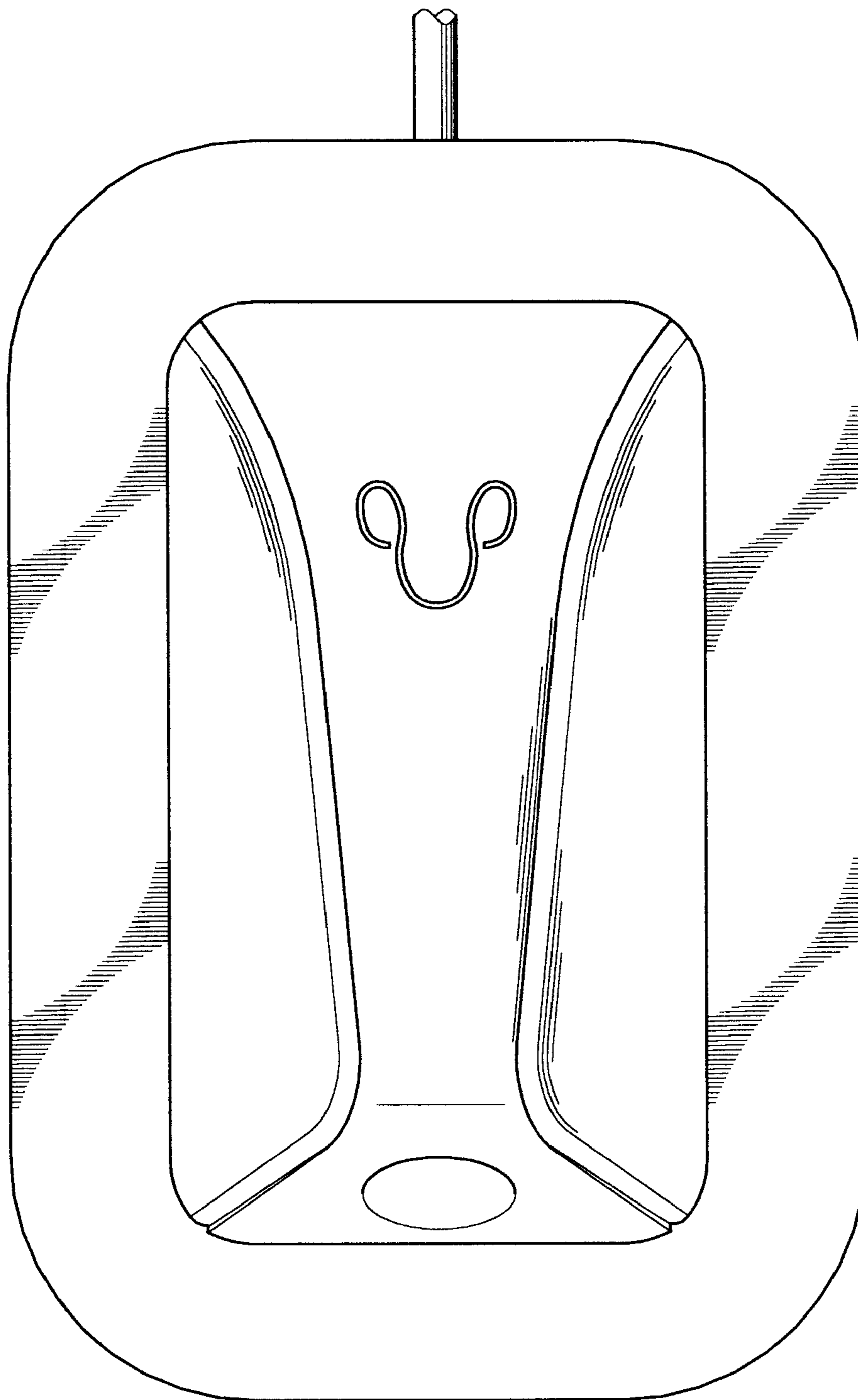


FIG.6

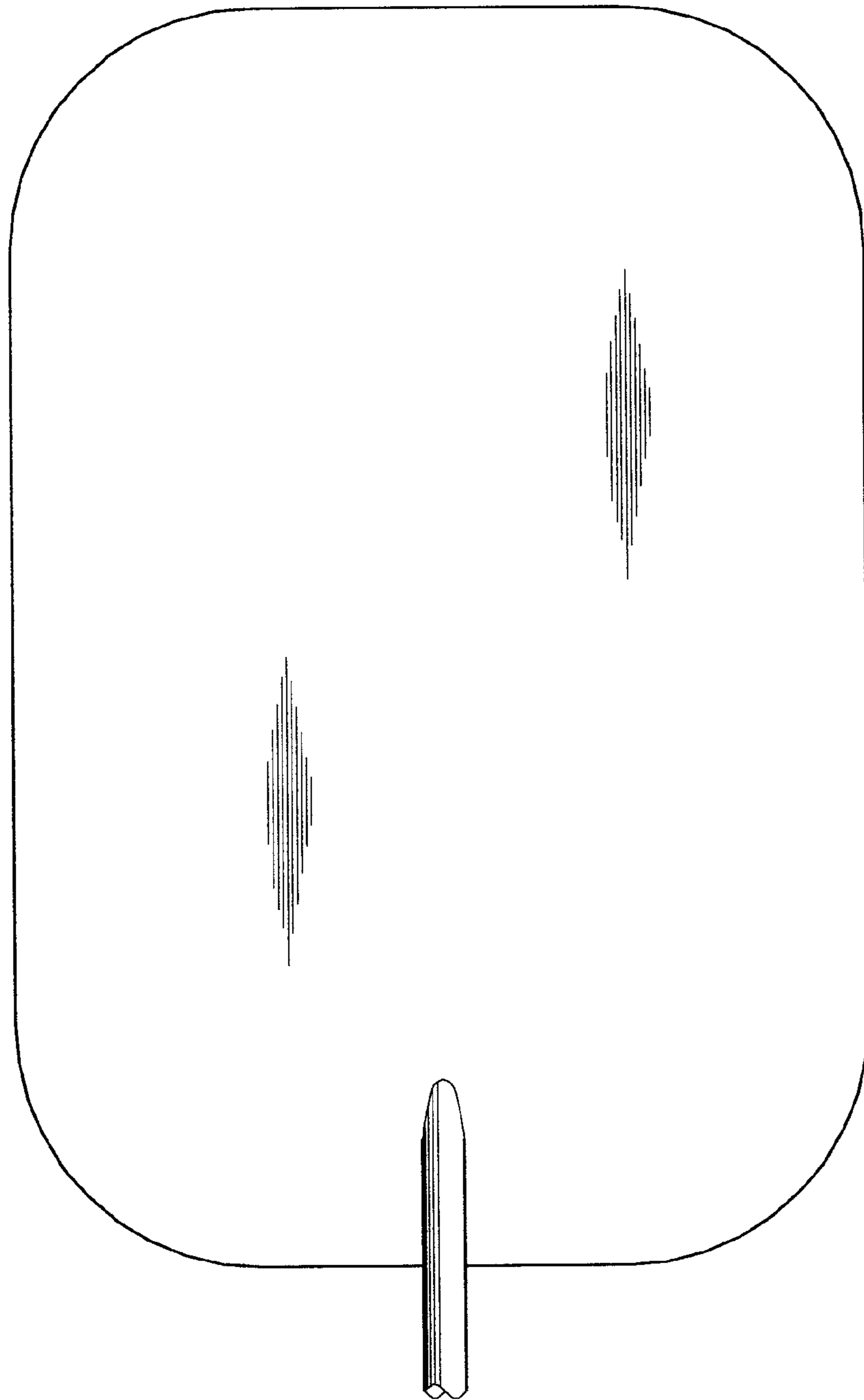


FIG.7