



US00D517068S

(12) **United States Design Patent**
Sakamoto et al.

(10) **Patent No.: US D517,068 S**
(45) **Date of Patent: ** Mar. 14, 2006**

(54) **KEYBOARD**

(75) Inventors: **Toru Sakamoto**, Tokyo (JP); **Yoshiya Watanabe**, Tokyo (JP); **Yasuhisa Kaneda**, Tokyo (JP); **Kanae Fukamatsu**, Tokyo (JP); **Michio Deguchi**, Tokyo (JP)

(73) Assignee: **Sony Computer Entertainment, Inc.**, Tokyo (JP)

(**) Term: **14 Years**

(21) Appl. No.: **29/216,871**

(22) Filed: **Nov. 10, 2004**

(30) **Foreign Application Priority Data**

May 10, 2004 (JP) D2004-013734

(51) **LOC (8) Cl. 14-02**

(52) **U.S. Cl. D14/390**

(58) **Field of Classification Search** D14/455, D14/392, 320, 388, 356, 390, 391, 394, 396, D14/399, 400, 401, 432; 200/6 R, 7, 5 A; D21/333; 235/145 R, 146, 145 A; 341/22, 341/23; 345/168, 169, 156; 400/485, 82, 400/88, 700, 472; 455/556.1-556.2, 554.2, 455/557, 560, 73, 74, 74.1; 248/309.1, 300; 713/300; 463/1, 47, 37, 48, 40-43; D18/2, D18/7, 12.2; 178/17 A, 17 C, 18.03; 361/680; 379/433.07, 447, 455

See application file for complete search history.

(56) **References Cited**

U.S. PATENT DOCUMENTS

3,244,369 A * 4/1966 Nassimbene 235/145 R

4,615,629 A * 10/1986 Power 400/486
D320,598 S * 10/1991 Auerbach et al. D14/392
D322,606 S * 12/1991 Muller et al. D14/399
5,288,158 A * 2/1994 Matias 400/472

(Continued)

Primary Examiner—Alan P. Douglas

Assistant Examiner—Susan Moon Lee

(74) *Attorney, Agent, or Firm*—Rader, Fishman & Grauer PLLC

(57) **CLAIM**

The ornamental design for a keyboard, as shown and described.

DESCRIPTION

FIG. 1 is a front elevational view of a keyboard showing our new design;

FIG. 2 is a rear elevational view thereof;

FIG. 3 is a left side elevational view thereof, a right side elevational view thereof being a mirror image;

FIG. 4 is a top plan view thereof;

FIG. 5 is a bottom plan view thereof;

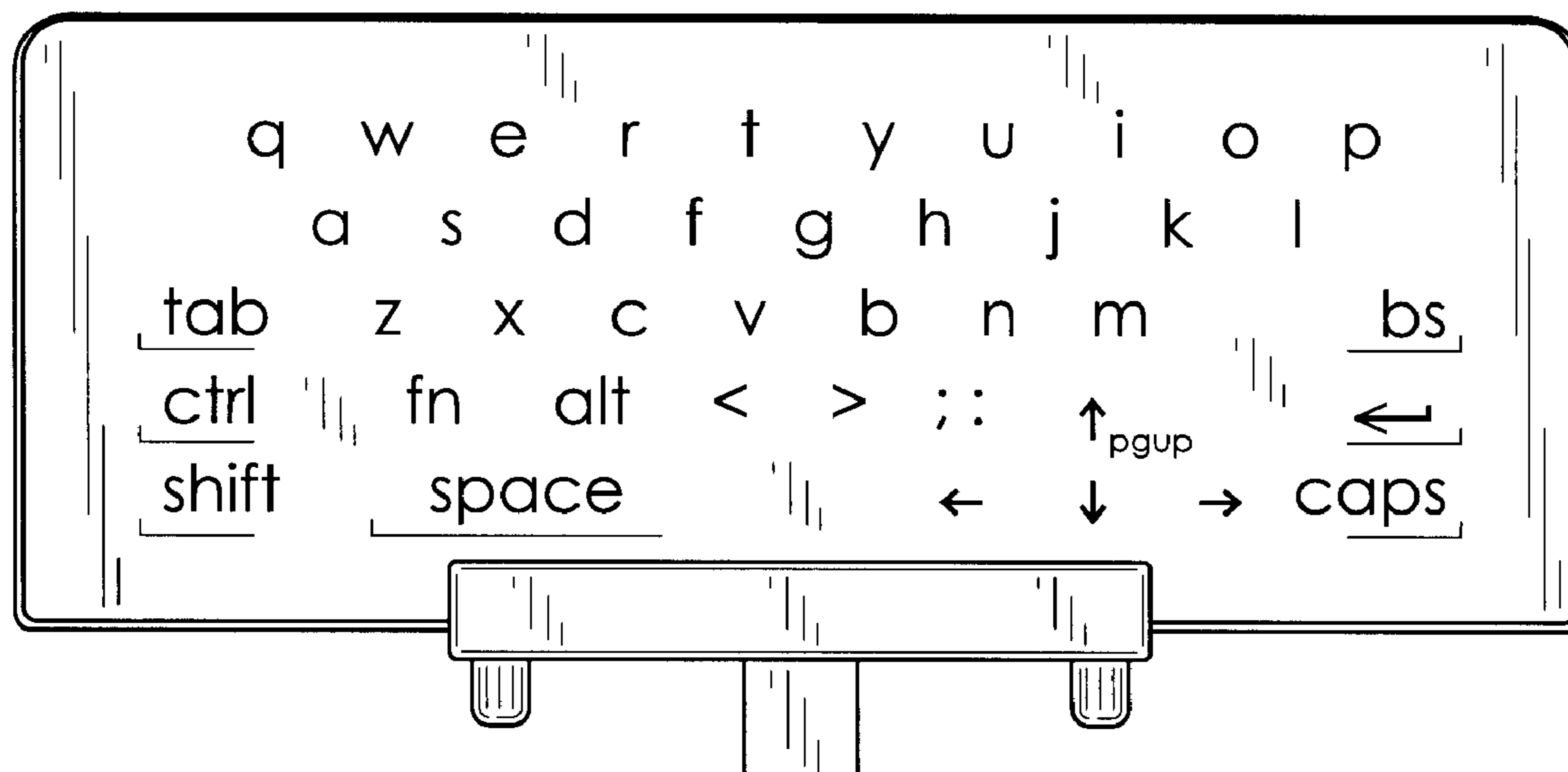
FIG. 6 is a front top right perspective view thereof;

FIG. 7 is a rear bottom left perspective view thereof; and,

FIG. 8 is a reduced front elevational view thereof, showing a using condition.

The broken line showing of the environment are for illustrative purposes only and forms no part of the claimed design.

1 Claim, 4 Drawing Sheets



U.S. PATENT DOCUMENTS

D368,708 S	4/1996	Maynard					
5,638,257 A *	6/1997	Kumar et al.	361/680	D470,150 S *	2/2003	Lewis et al.	D14/455
5,733,056 A *	3/1998	Meagher	400/472	D470,151 S *	2/2003	Lewis et al.	D14/455
5,941,648 A *	8/1999	Robinson et al.	400/82	6,556,186 B1 *	4/2003	Narusawa et al.	345/168
6,088,220 A *	7/2000	Katz	361/680	D475,710 S *	6/2003	Sheehan et al.	D14/401
6,128,372 A *	10/2000	Tsai et al.	379/90.01	6,587,094 B1 *	7/2003	Anderson	345/168
6,147,858 A *	11/2000	Takahashi	361/680	6,587,096 B1 *	7/2003	Bullister	345/168
6,168,331 B1 *	1/2001	Vann	400/472	6,594,142 B1 *	7/2003	Katz	361/680
6,215,420 B1 *	4/2001	Harrison et al.	341/22	6,597,343 B1 *	7/2003	Akiyama et al.	345/168
6,297,752 B1 *	10/2001	Ni	341/22	6,614,649 B1 *	9/2003	Wang	361/680
6,317,061 B1 *	11/2001	Batra et al.	341/22	6,618,039 B1 *	9/2003	Grant et al.	345/168
6,370,018 B1 *	4/2002	Miller et al.	361/680	6,625,011 B1 *	9/2003	Hyun	361/680
D462,354 S *	9/2002	Kimbire et al.	D14/392	D480,726 S *	10/2003	Yokota	D14/396
D462,358 S *	9/2002	Mah	D14/447	D482,363 S *	11/2003	Goto	D14/392
6,445,380 B1 *	9/2002	Klein	345/168	D485,826 S	1/2004	Goto	
				2003/0006968 A1 *	1/2003	Solomon	345/168

* cited by examiner

FIG.1

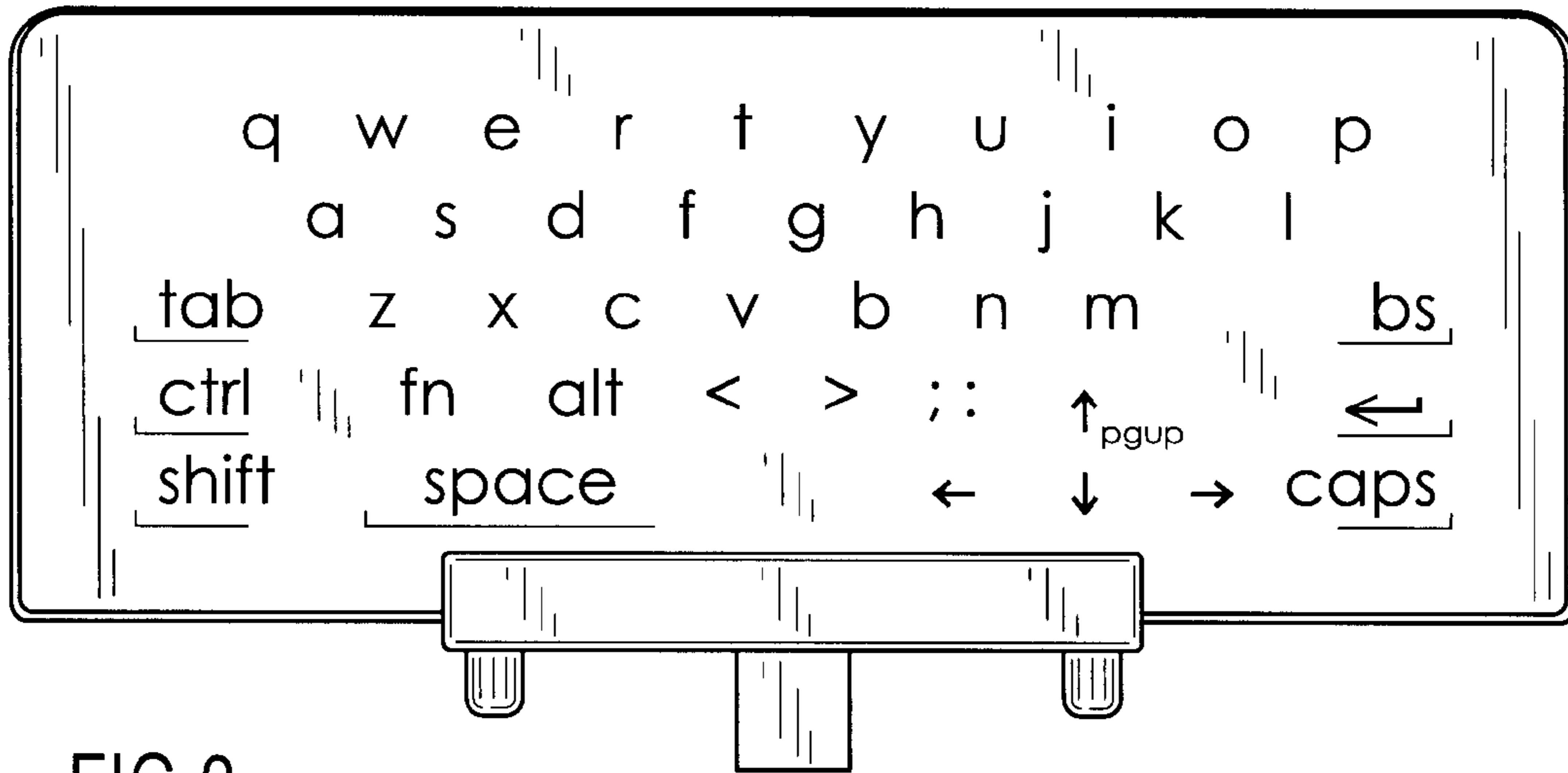


FIG.2

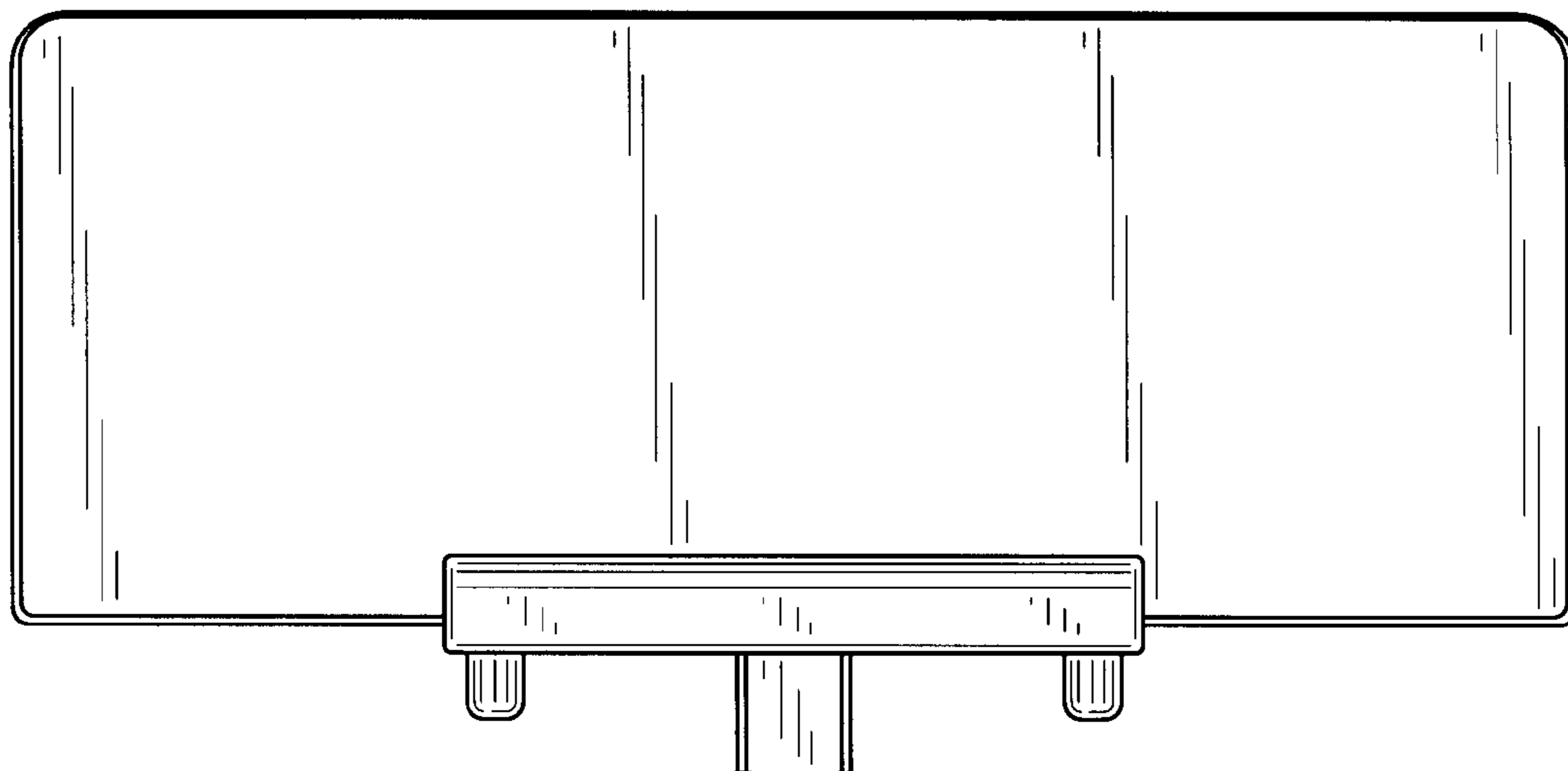


FIG.3

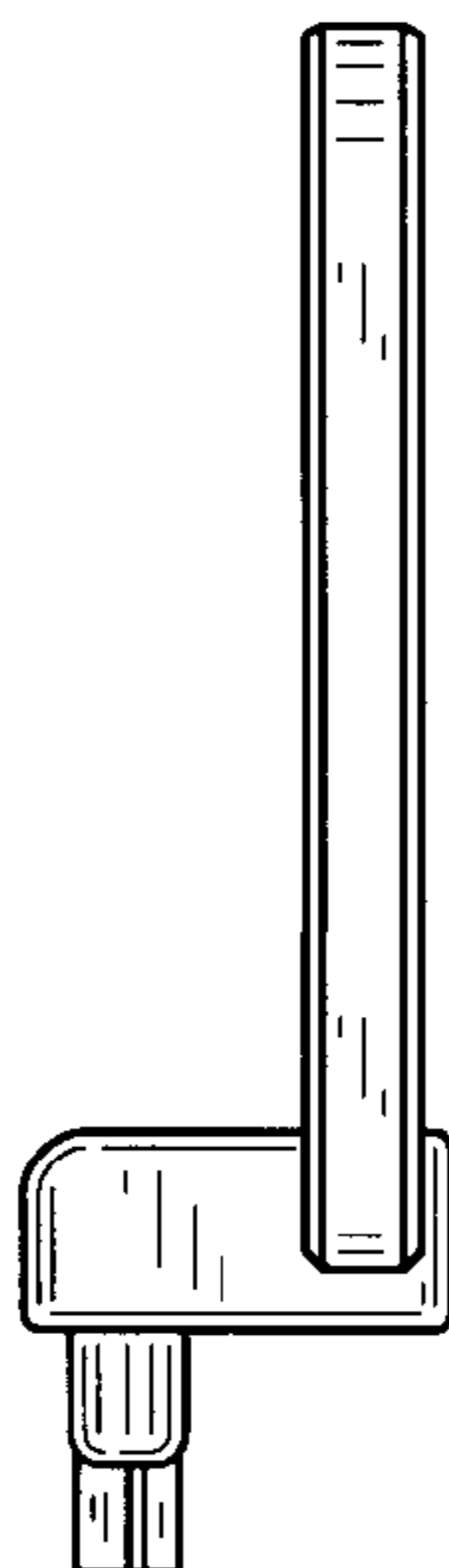


FIG.4

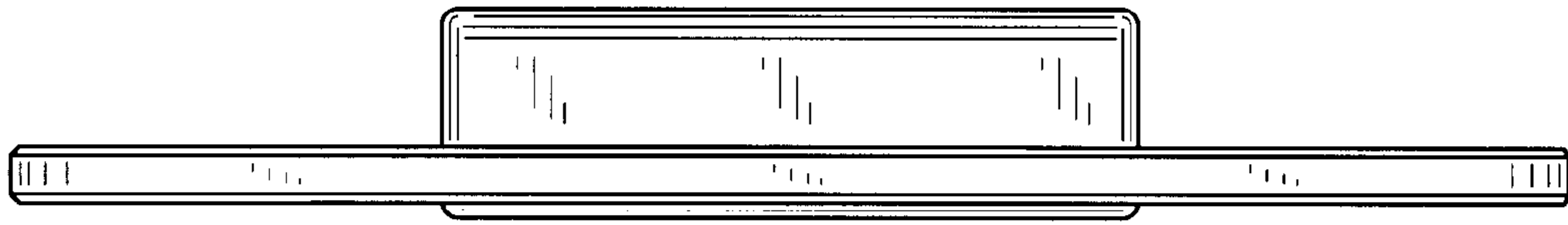


FIG.5

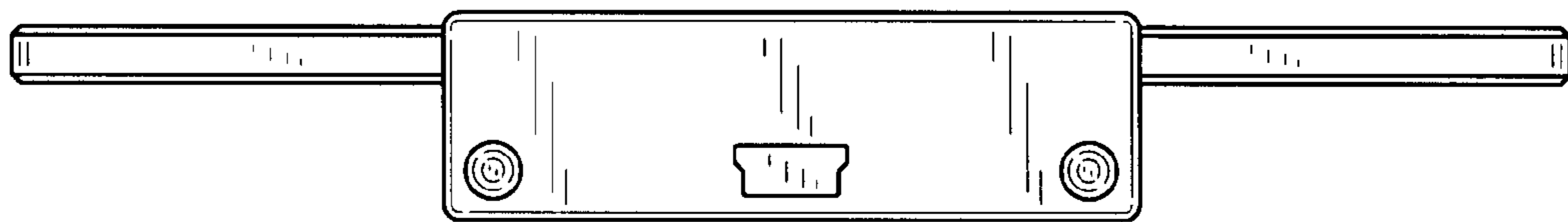


FIG.6

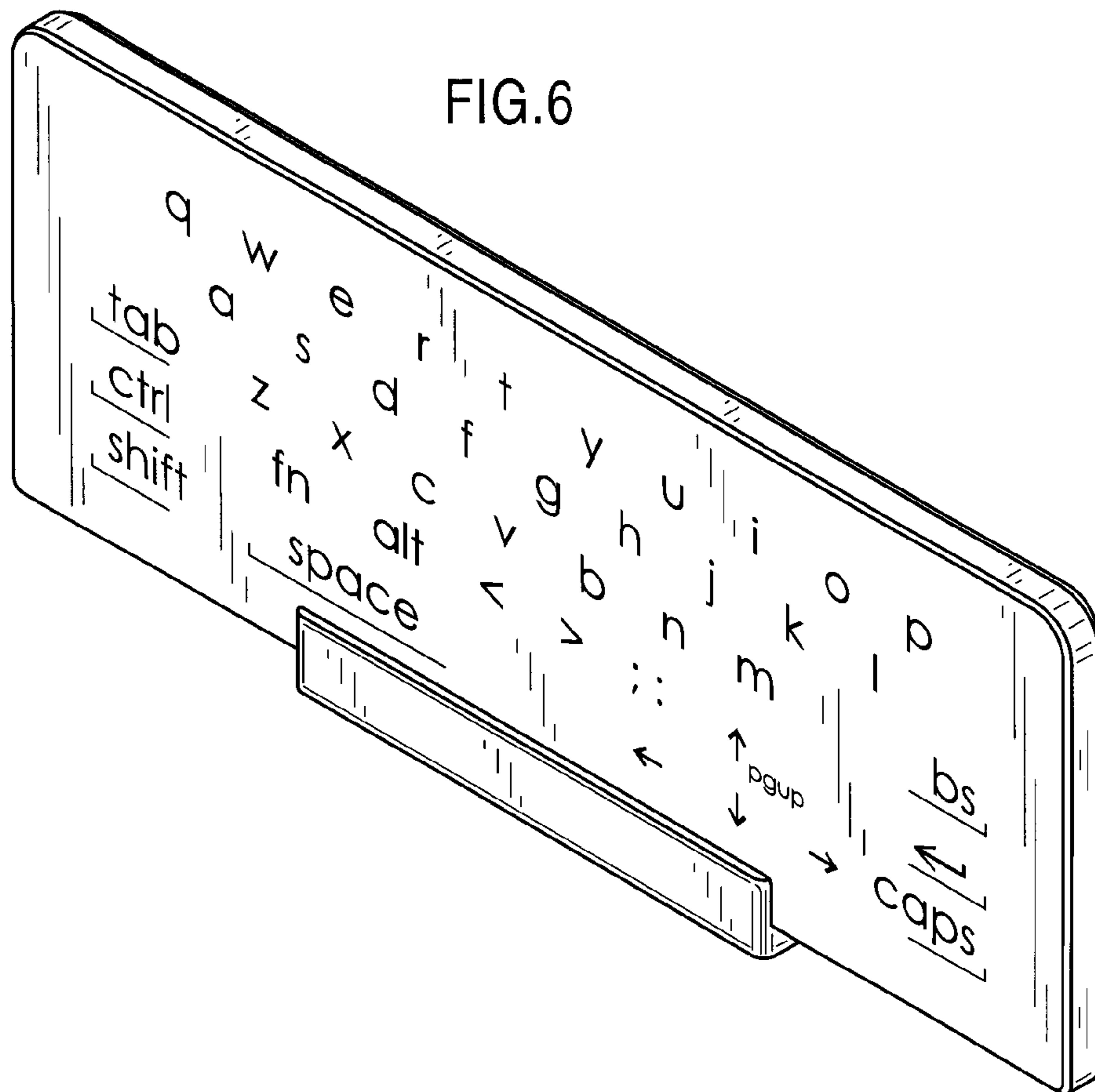


FIG.7

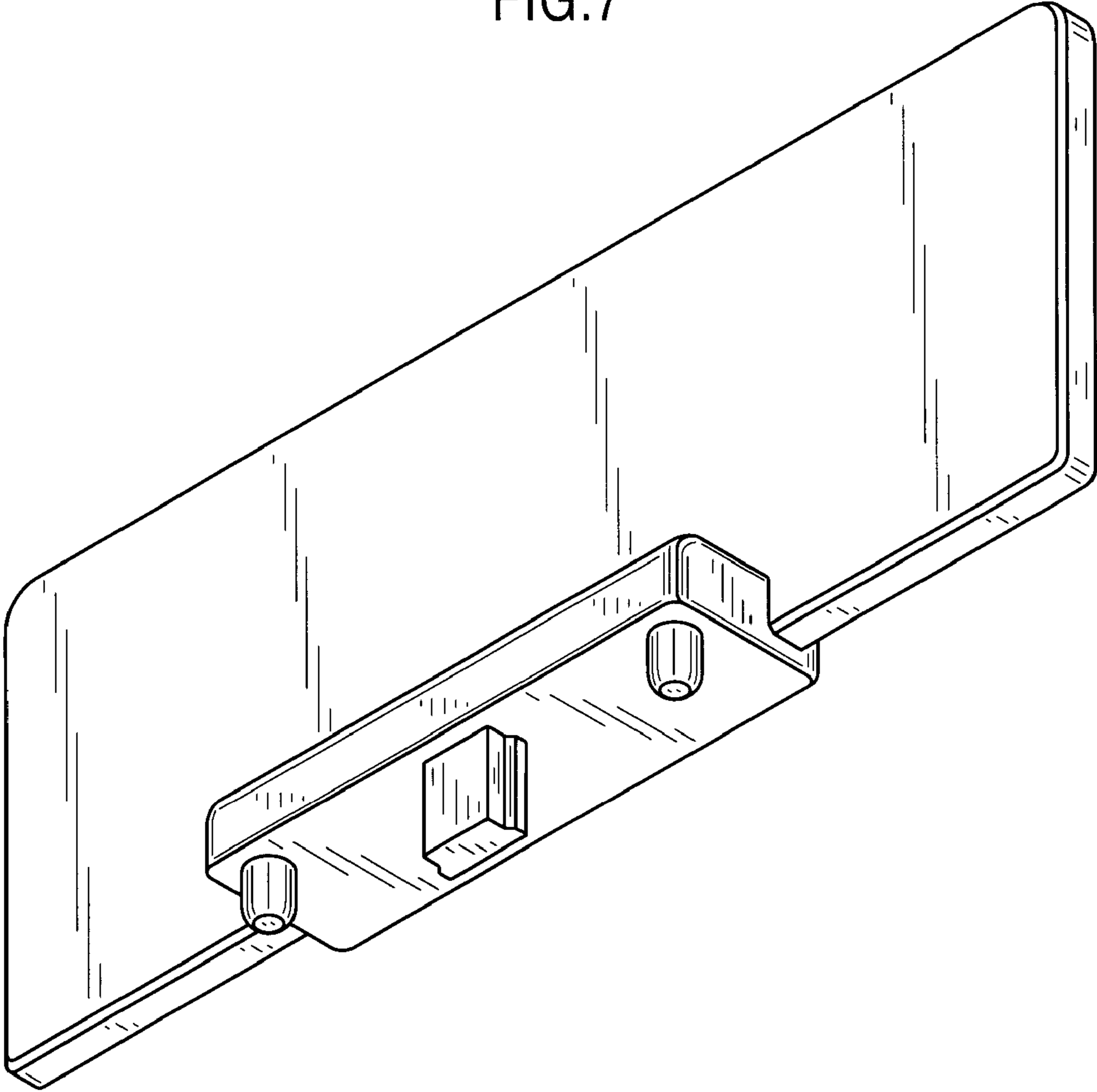


FIG.8

