



US00D517062S

(12) **United States Design Patent**
Yu et al.

(10) **Patent No.:** **US D517,062 S**
(45) **Date of Patent:** **** Mar. 14, 2006**

(54) **COMPUTER ENCLOSURE**

(75) Inventors: **De-Hai Yu**, Shenzhen (CN); **Chun-Chi Liang**, Tu-Chen (TW); **Yun-Dong Xu**, Shenzhen (CN)

(73) Assignee: **Hon Hai Precision Ind. Co., LTD**, Taipei Hsien (TW)

(**) Term: **14 Years**

(21) Appl. No.: **29/212,442**

(22) Filed: **Aug. 31, 2004**

(30) **Foreign Application Priority Data**

May 29, 2004 (CN) 300417267

(51) **LOC (8) Cl.** **14-02**

(52) **U.S. Cl.** **D14/300**

(58) **Field of Classification Search** D14/300, D14/301, 308, 313, 314, 348, 349, 351-356, D14/361-368; D13/162, 184, 199; 360/99.01-99.12; 361/680-686, 690-696; 369/34.01, 36.01
See application file for complete search history.

(56) **References Cited**

U.S. PATENT DOCUMENTS

D331,574 S * 12/1992 Ito et al. D14/368

D425,909 S * 5/2000 Chen et al. D14/301
D438,200 S * 2/2001 Hui D14/301
D477,315 S * 7/2003 Lee D14/301

* cited by examiner

Primary Examiner—Freda S. Nunn
(74) *Attorney, Agent, or Firm*—Wei Te Chung

(57) **CLAIM**

The ornamental design for a computer enclosure, as shown.

DESCRIPTION

FIG. 1 is a perspective view of a computer enclosure of our new design;

FIG. 2 is a front elevational view thereof;

FIG. 3 is a rear elevational view thereof;

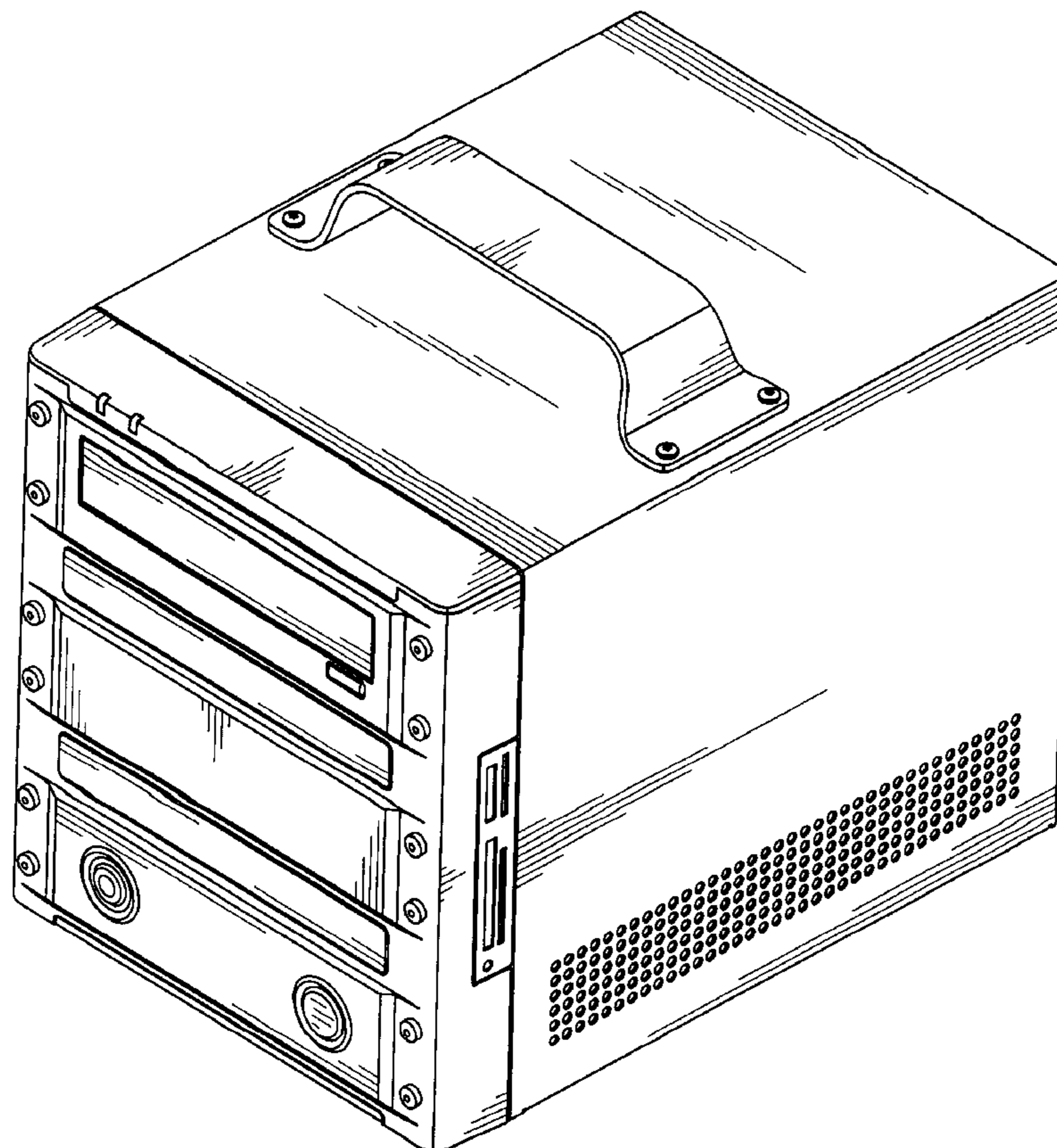
FIG. 4 is a left side elevational view thereof;

FIG. 5 is a right side elevational view thereof;

FIG. 6 is a top plan view thereof; and,

FIG. 7 is a bottom plan view thereof.

1 Claim, 7 Drawing Sheets



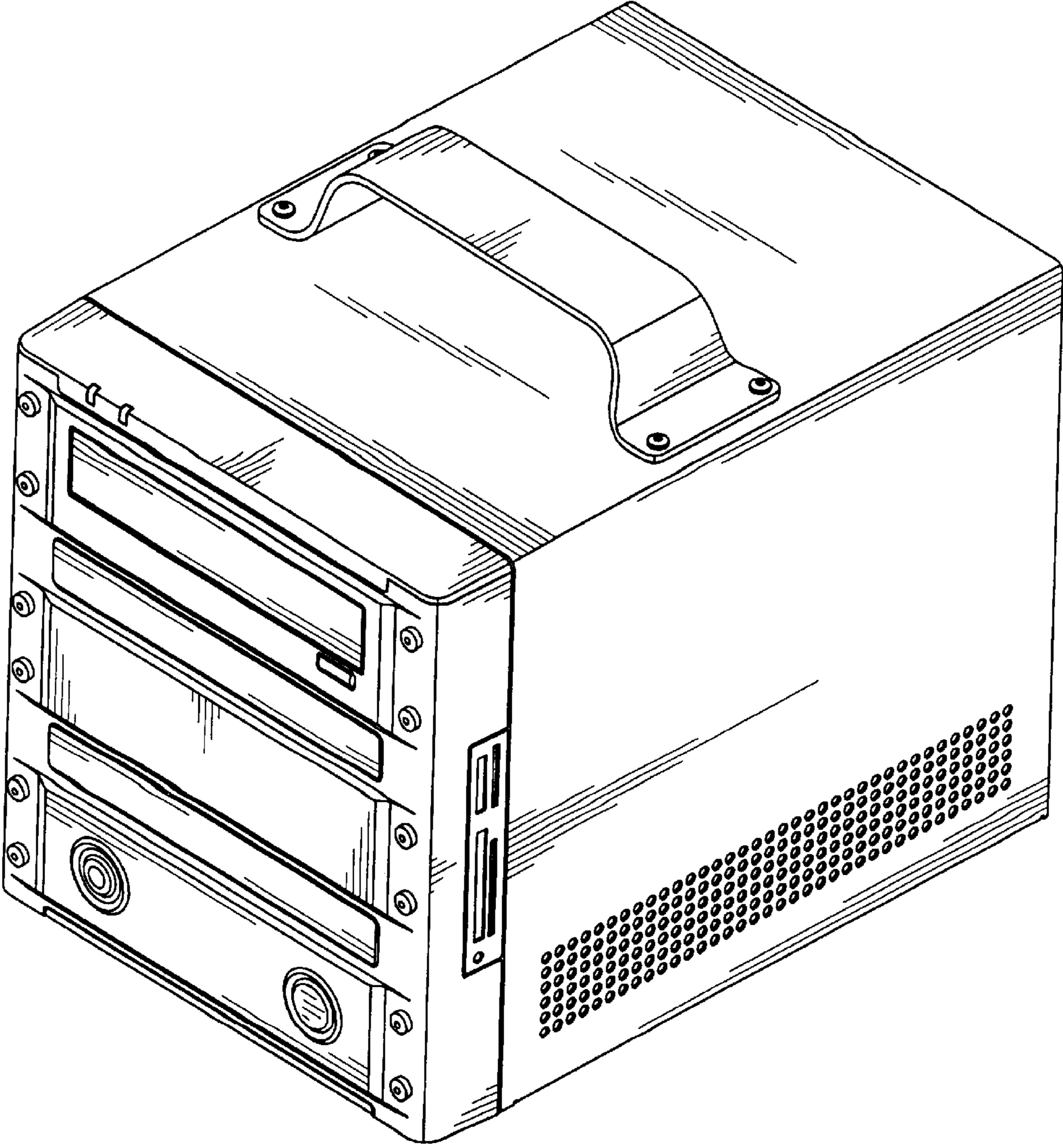


FIG. 1

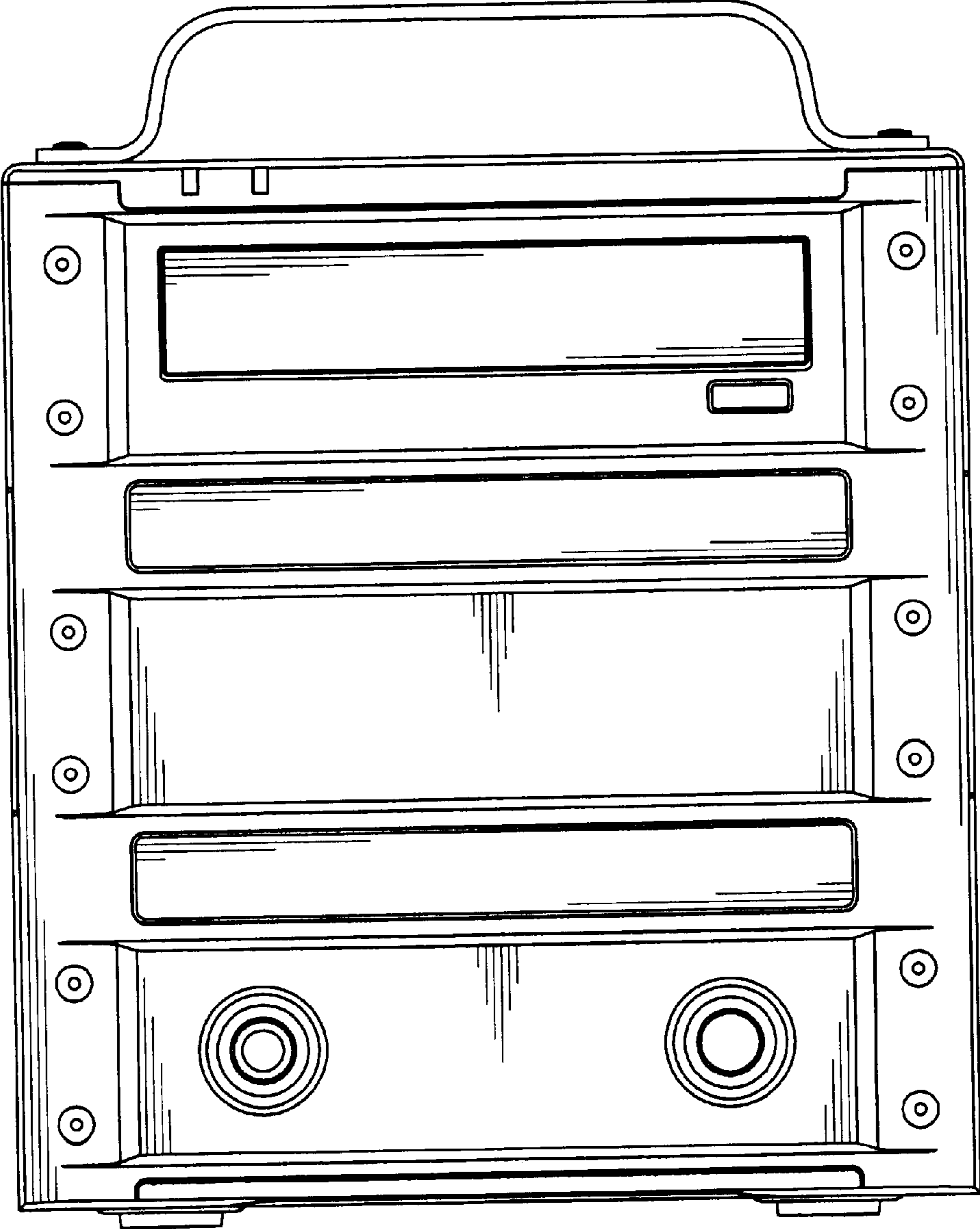


FIG. 2

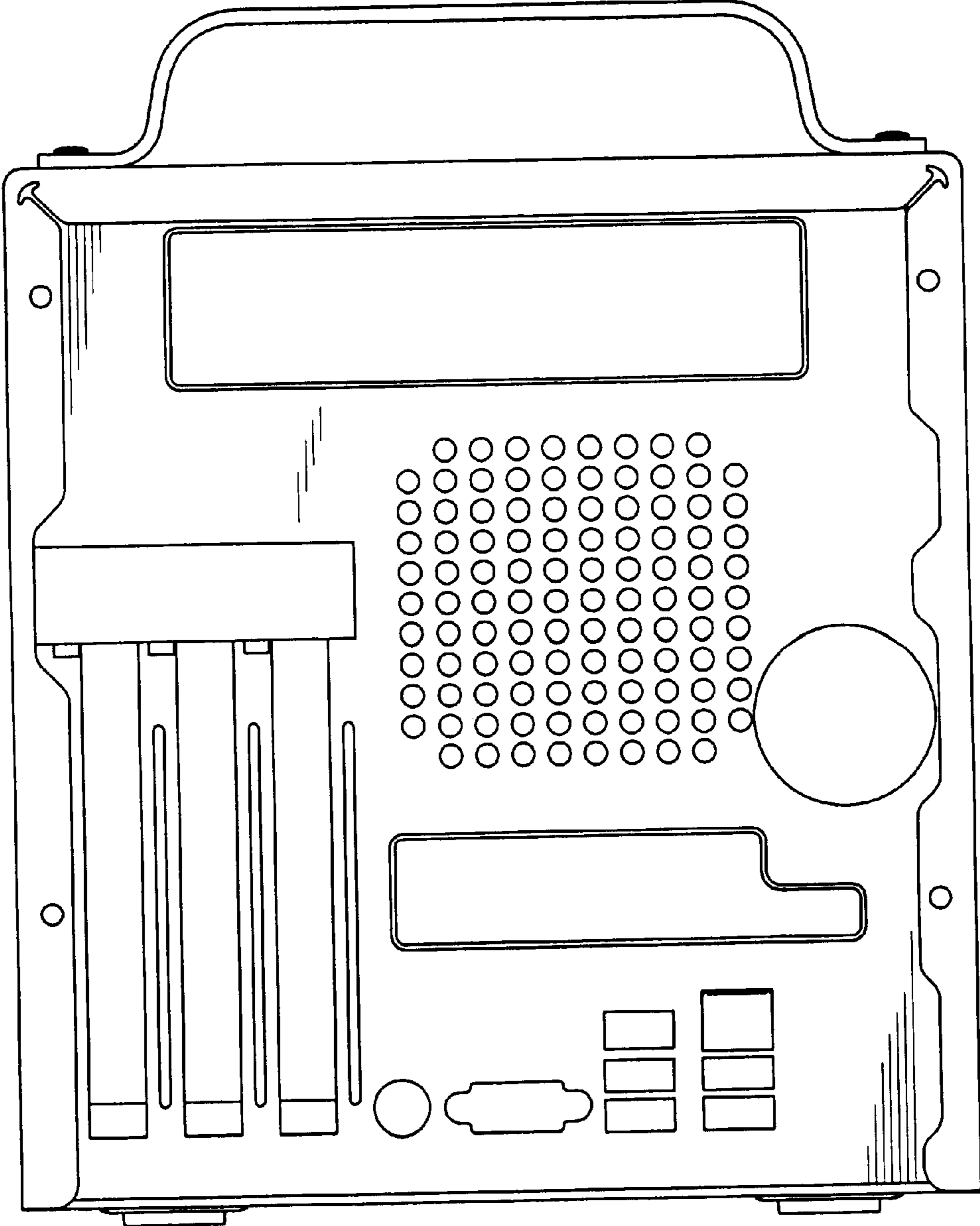


FIG. 3

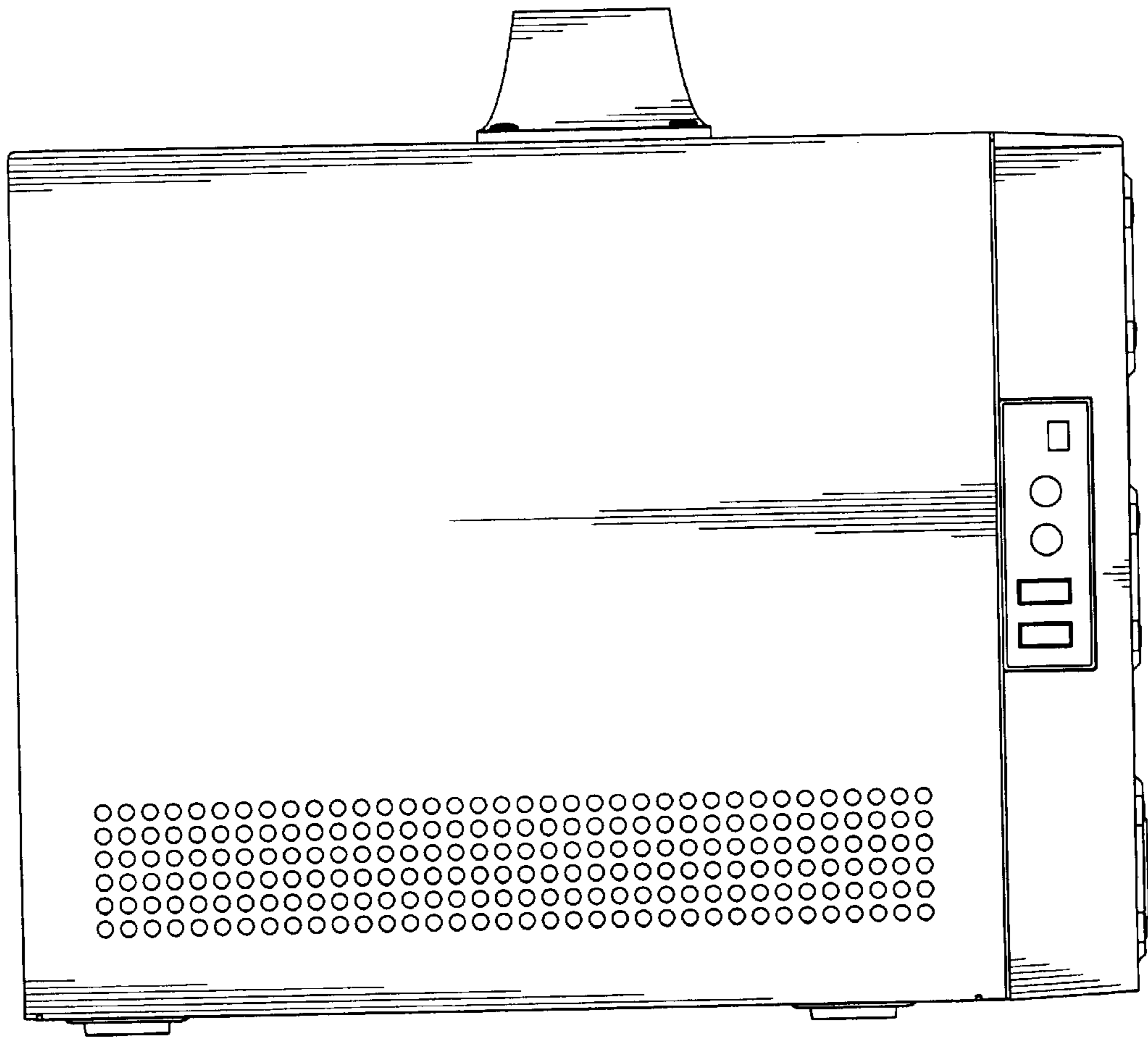


FIG. 4

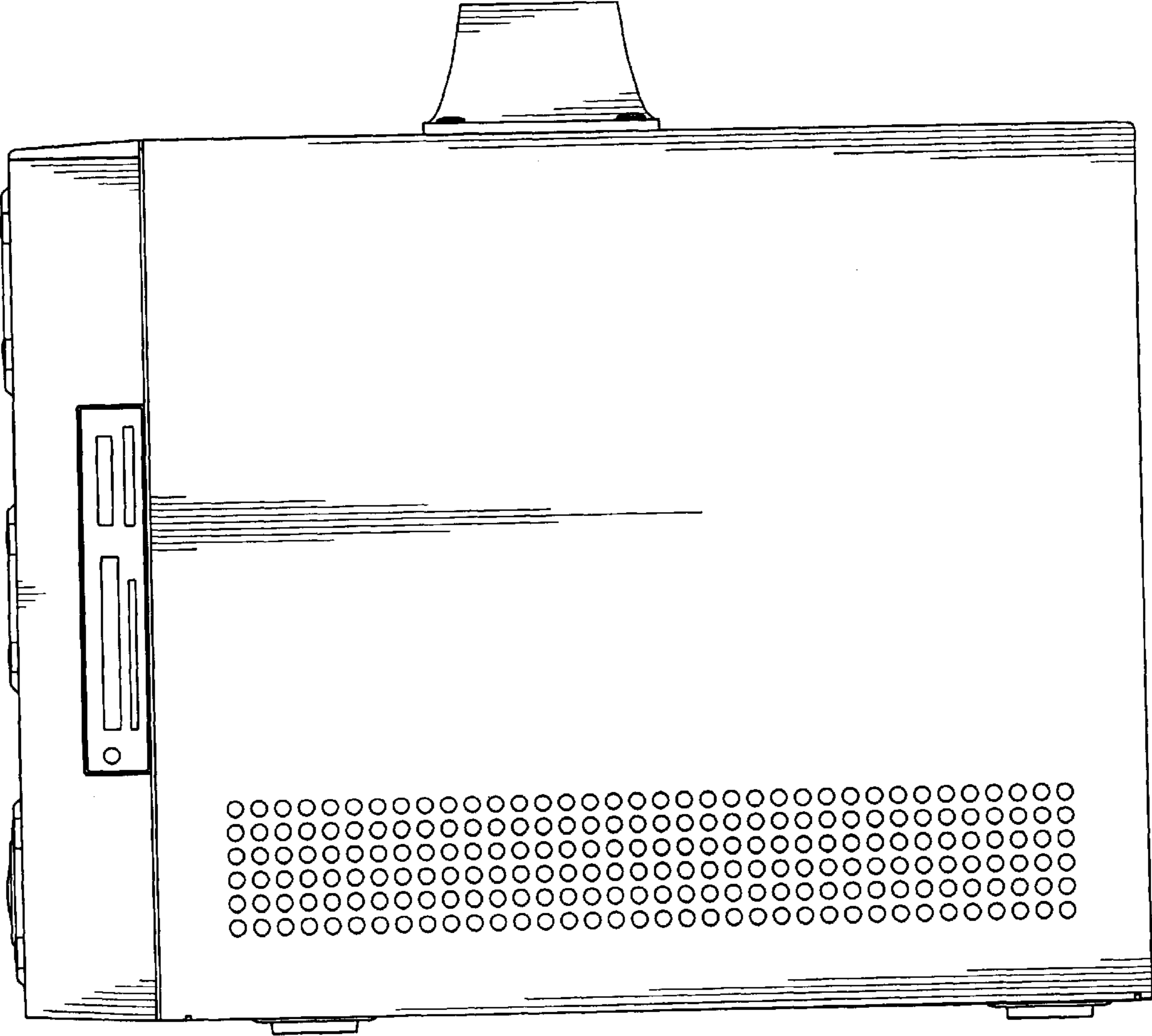


FIG. 5

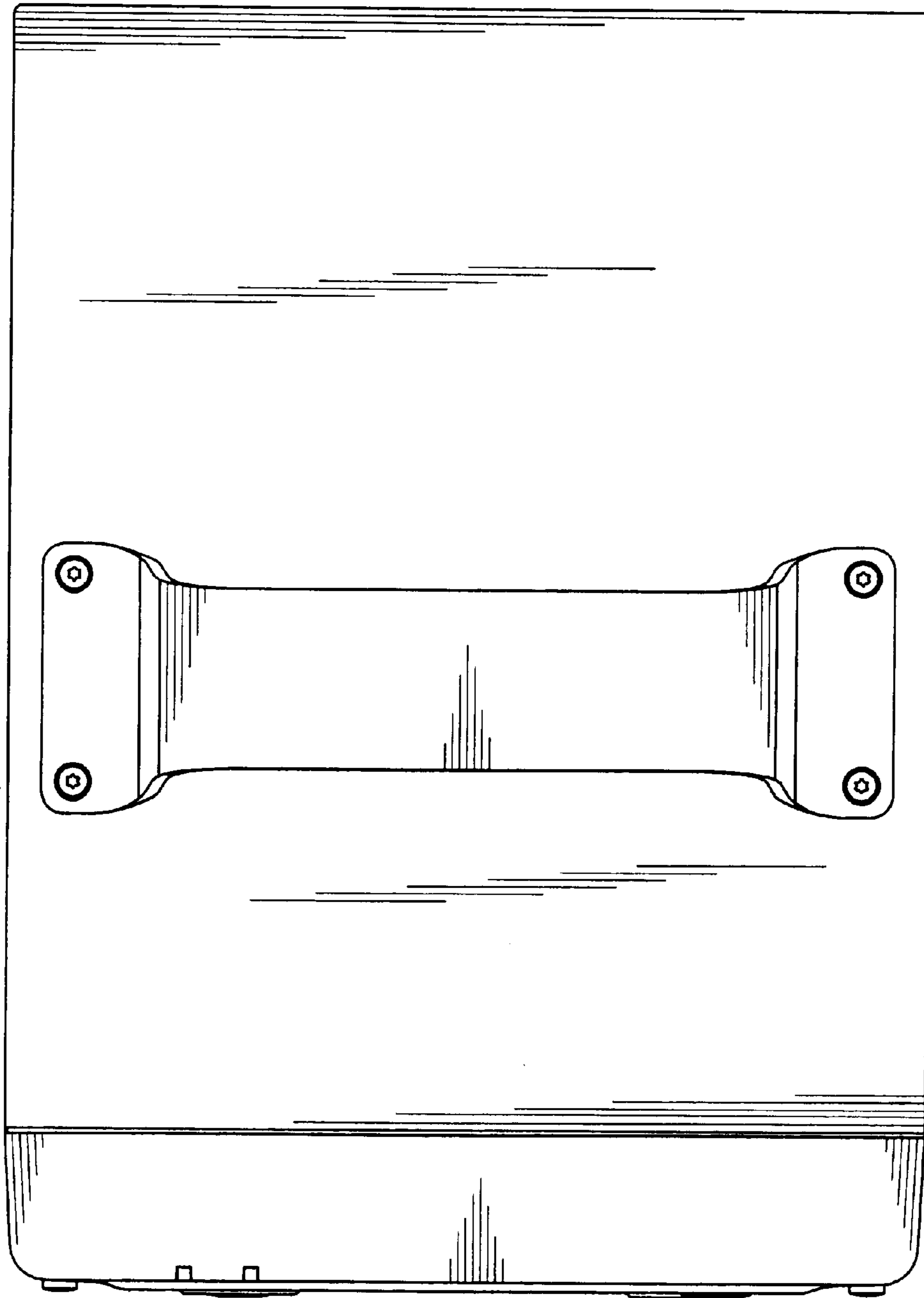


FIG. 6

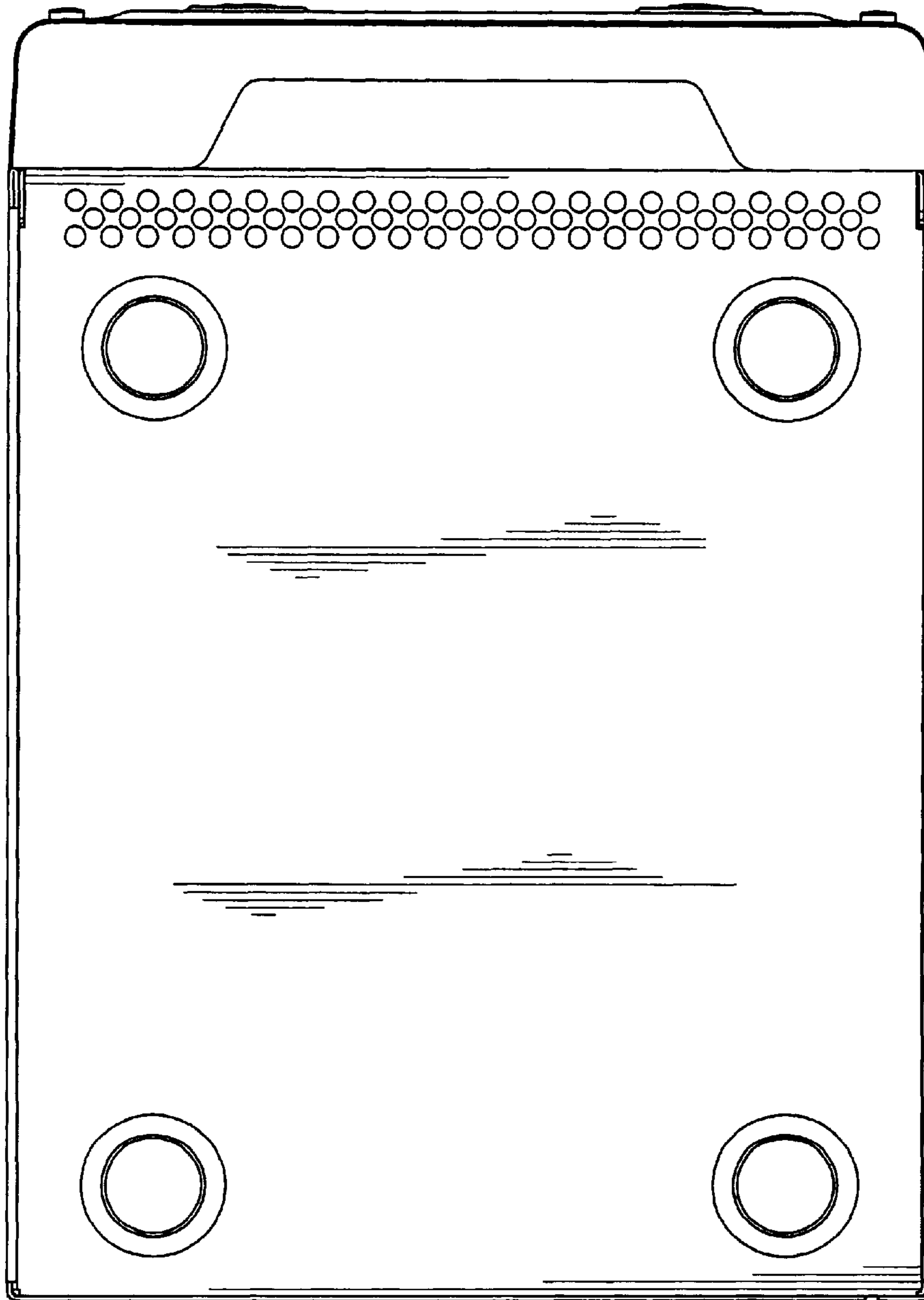


FIG. 7