



US00D517061S

(12) **United States Design Patent**  
**Quilling, II**

(10) **Patent No.:** **US D517,061 S**  
(45) **Date of Patent:** **\*\* Mar. 14, 2006**

(54) **ISO/DIN AUTO STEREO MOUNTING  
DEVICE WITH POCKET**

(75) Inventor: **R. Spencer Quilling, II**, Deland, FL  
(US)

(73) Assignee: **Metra Electronics Corporation**, Holly  
Hill, FL (US)

(\*\*) Term: **14 Years**

(21) Appl. No.: **29/208,962**

(22) Filed: **Jul. 9, 2004**

(51) **LOC (8) Cl.** ..... **14-01**

(52) **U.S. Cl.** ..... **D14/258**

(58) **Field of Classification Search** ..... D14/445,  
D14/260.1, 258, 257, 224, 217, 198, 197,  
D14/196, 195, 194, 193, 192, 188, 168, 167,  
D14/156, 136, 191, 157; D12/415, 420; 455/344,  
455/350, 347; 248/27.3, 27.1, 558  
See application file for complete search history.

(56) **References Cited**

**U.S. PATENT DOCUMENTS**

D304,194 S	*	10/1989	Fuller et al.	.....	D14/257
5,106,039 A		4/1992	Gross	.....	248/27.1
5,467,947 A		11/1995	Quilling, II	.....	248/27.1
5,477,432 A	*	12/1995	Magic et al.	.....	362/26
D375,043 S	*	10/1996	Biasotti et al.	.....	D14/191
D401,591 S		11/1998	Jones, Jr.	.....	D14/224
5,862,468 A	*	1/1999	Kim	.....	455/321
D415,492 S	*	10/1999	Metzler	.....	D14/188
D418,838 S		1/2000	Jones, Jr.	.....	D14/224
D436,093 S	*	1/2001	Okada et al.	.....	D14/168
D444,074 S	*	6/2001	Duke	.....	D10/15
D444,146 S	*	6/2001	Weiland et al.	.....	D14/258
D475,690 S	*	6/2003	Nose et al.	.....	D14/157
D478,903 S	*	8/2003	Metzler	.....	D14/257
D480,076 S	*	9/2003	Nose et al.	.....	D14/258
D481,378 S		10/2003	Quilling, II et al.	.....	D14/224
D481,707 S		11/2003	Quilling, II et al.	.....	D14/224
D482,023 S		11/2003	Quilling, II et al.	.....	D14/224

D482,024 S		11/2003	Quilling, II et al.	.....	D14/224
D483,027 S		12/2003	Quilling, II et al.	.....	D14/224
D483,731 S	*	12/2003	Yoshihara	.....	D14/157
D483,732 S	*	12/2003	Yoshihara	.....	D14/157
D484,495 S		12/2003	Quilling, II et al.	.....	D14/224
D485,260 S		1/2004	Quilling, II et al.	.....	D14/224
D488,462 S		4/2004	Quilling, II et al.	.....	D14/224
D492,287 S		6/2004	Quilling, II	.....	D14/224
D492,288 S		6/2004	Quilling, II	.....	D14/224
D492,668 S		7/2004	Quilling, II	.....	D14/224
D496,028 S		9/2004	Quilling, II	.....	D14/224
D496,354 S	*	9/2004	Quilling, II	.....	D14/224

**OTHER PUBLICATIONS**

Auto Face Plate (9965-04) <http://www.tune-town.com/yho/lg99-6504.gif>, Jan. 12, 2005.\*

\* cited by examiner

*Primary Examiner*—Cathron C. Brooks

*Assistant Examiner*—Austin Murphy

(74) *Attorney, Agent, or Firm*—Fitzpatrick, Cella, Harper & Scinto

(57) **CLAIM**

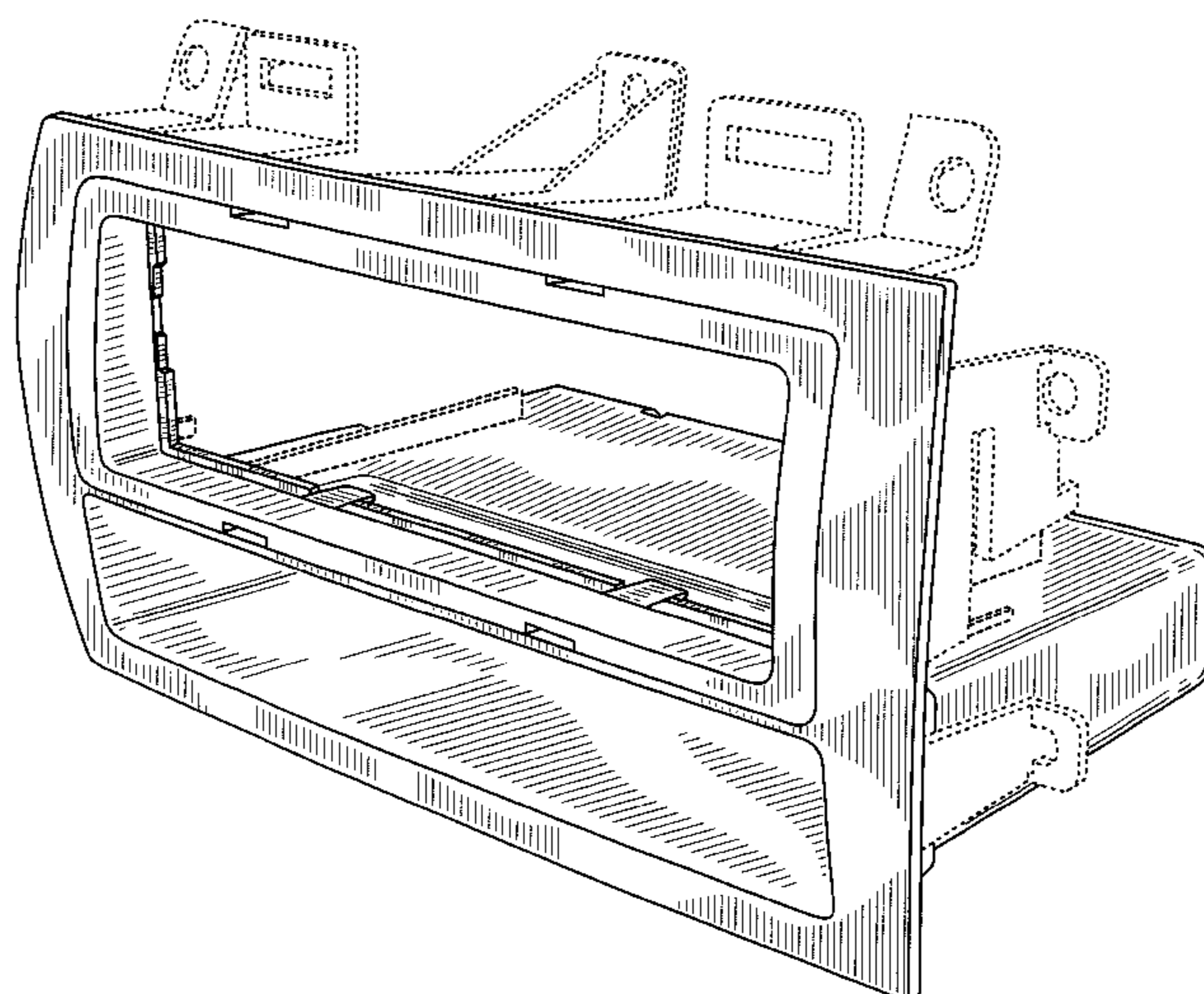
I claim the ornamental design for an ISO/DIN auto stereo mounting device with pocket, as shown and described.

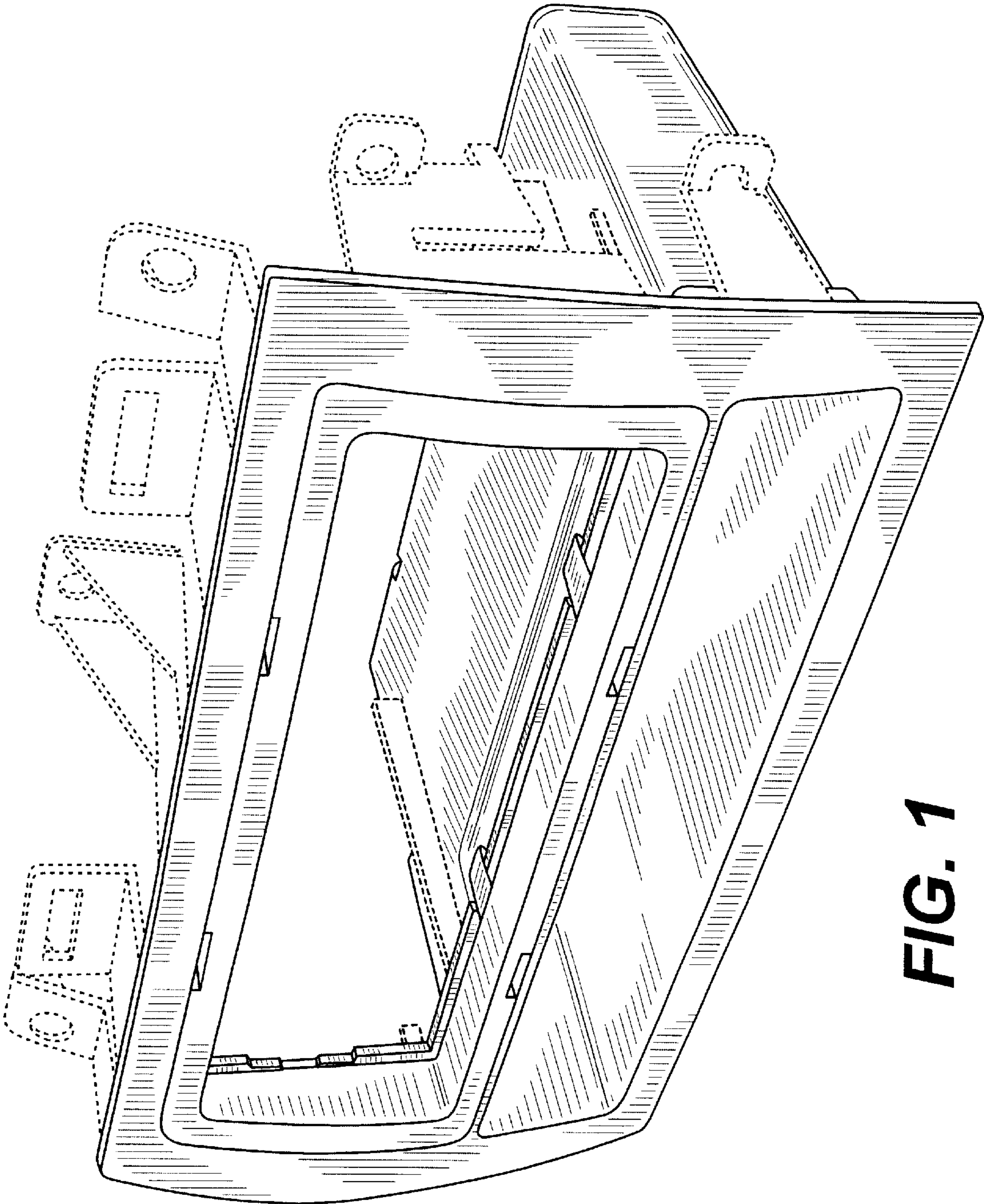
**DESCRIPTION**

FIG. 1 is a right front perspective view of an ISO/DIN auto stereo mounting device with pocket, showing my design; FIG. 2 is a front elevation view of FIG. 1; FIG. 3 is a rear elevation view of FIG. 1; FIG. 4 is a right side elevation view of FIG. 1; FIG. 5 is a left side elevation view of FIG. 1; FIG. 6 is a top plan view of FIG. 1; and, FIG. 7 is a bottom plan view of FIG. 1.

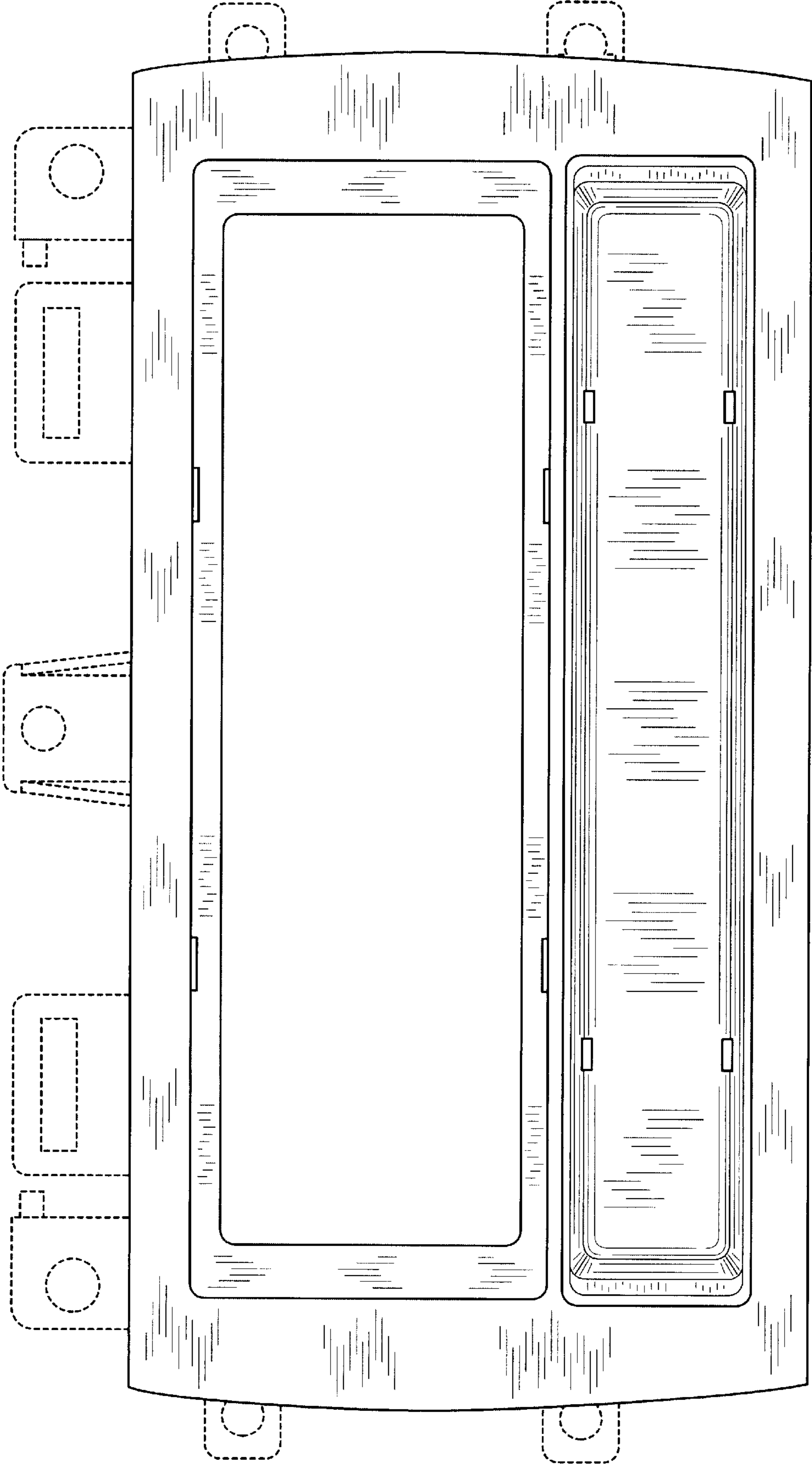
The appearance of my design for an ISO/DIN auto stereo mounting device with pocket, characterized by an ISO/DIN auto stereo mounting space, above a pocket. The mounting structure shown in dotted line forms no part of the claimed design.

**1 Claim, 7 Drawing Sheets**

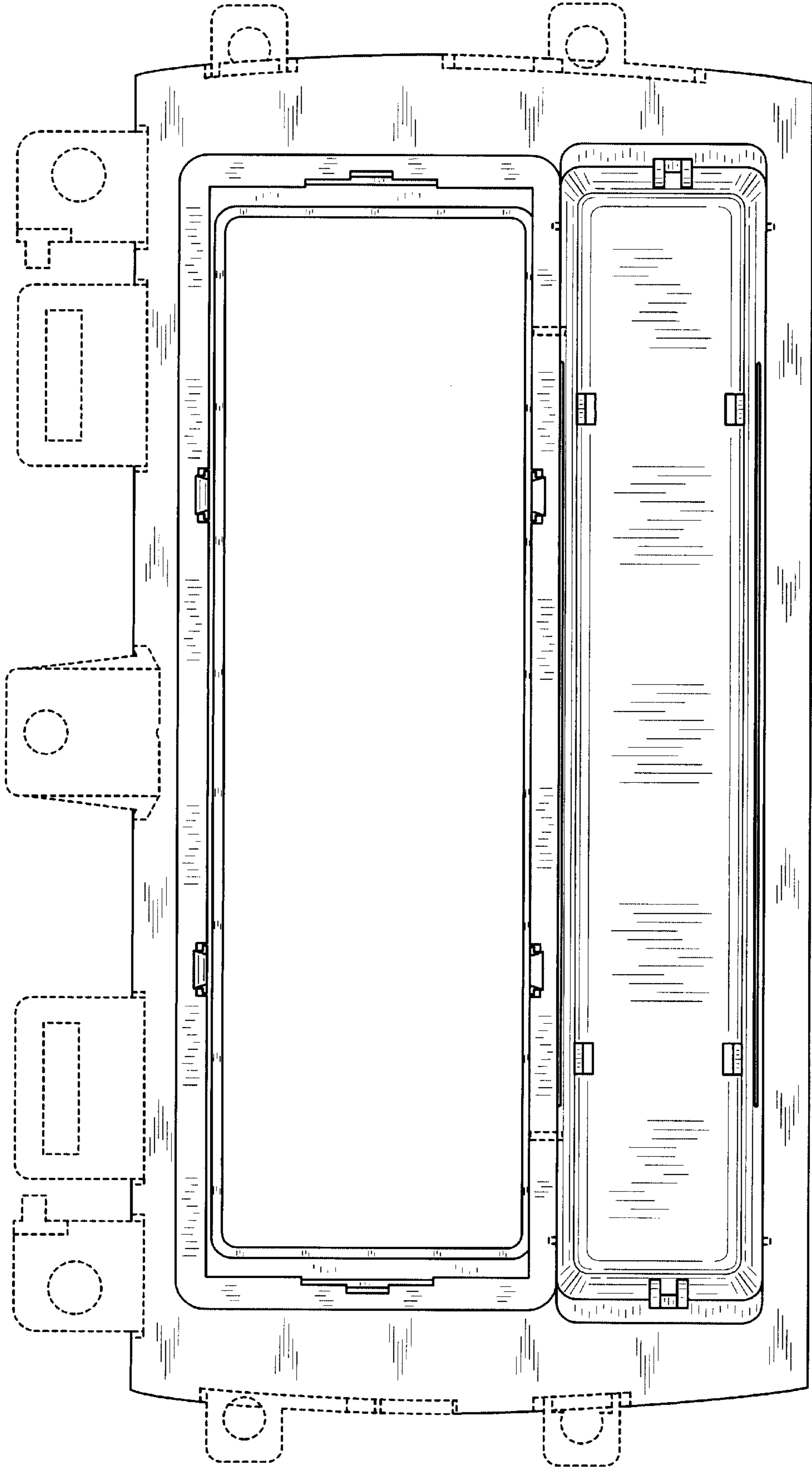




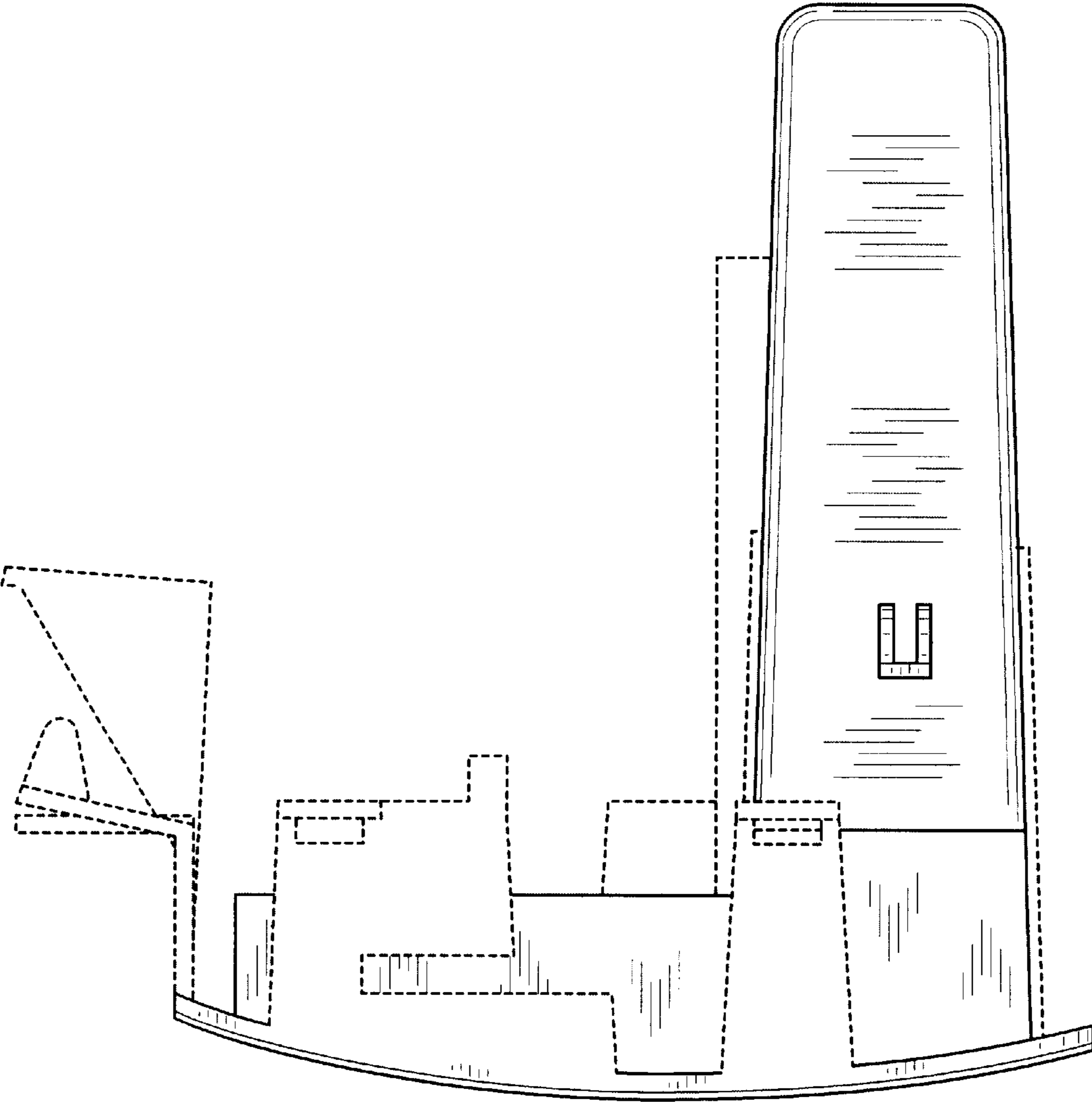
**FIG. 1**



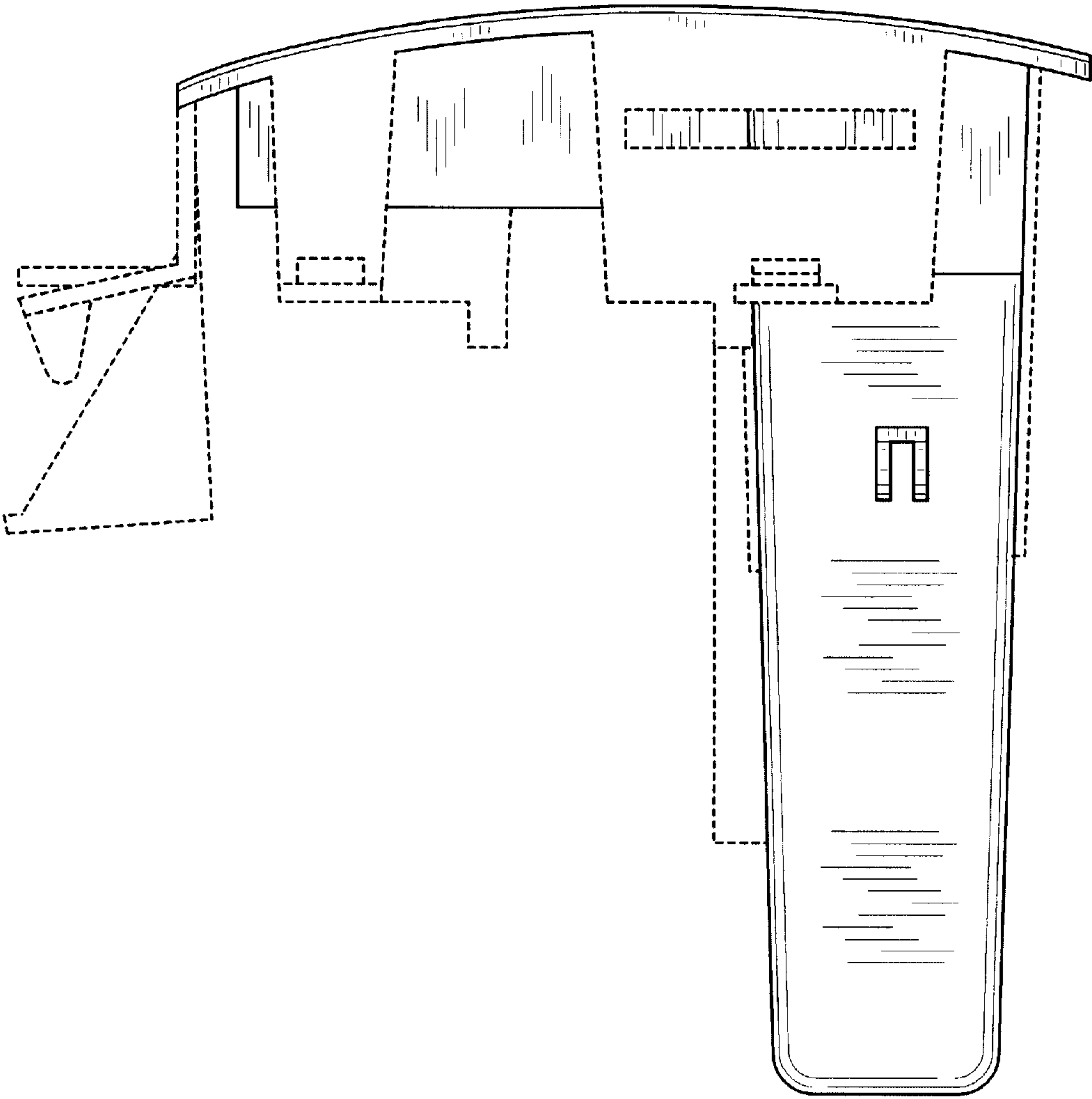
**FIG. 2**



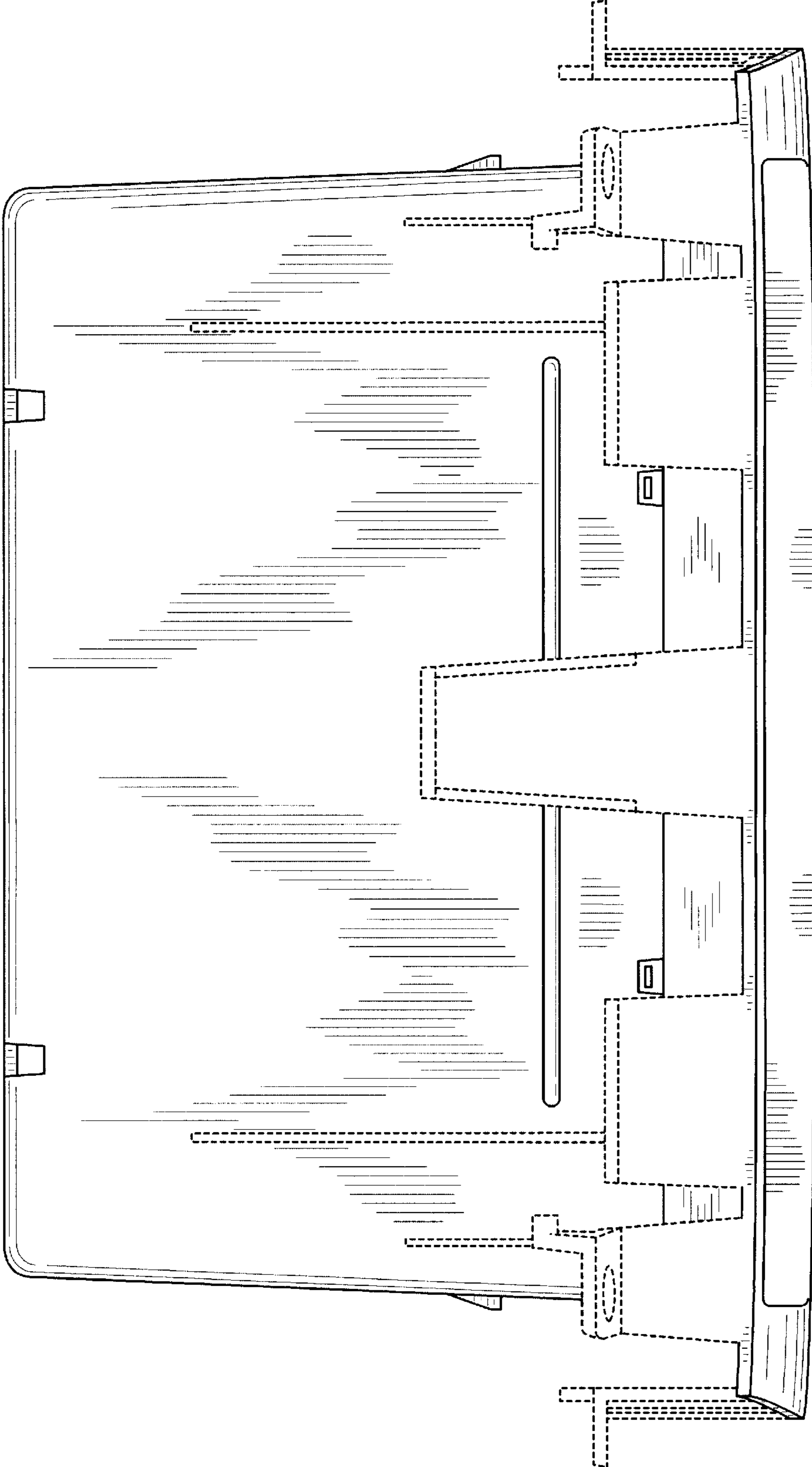
**FIG. 3**



**FIG. 4**



**FIG. 5**



**FIG. 6**



**FIG. 7**