



US00D517058S

(12) **United States Design Patent**
Hisatsune

(10) **Patent No.: US D517,058 S**
(45) **Date of Patent: ** Mar. 14, 2006**

(54) **COMBINED DISC RECORDER AND AMPLIFIER**

(75) Inventor: **Toshiyuki Hisatsune**, Tokyo (JP)

(73) Assignee: **Sony Corporation**, Tokyo (JP)

(**) Term: **14 Years**

(21) Appl. No.: **29/198,928**

(22) Filed: **Feb. 9, 2004**

(51) **LOC (8) Cl.** **14-01**

(52) **U.S. Cl.** **D14/257**

(58) **Field of Classification Search** D14/445,
D14/260.1, 258, 257, 224, 217, 198, 197,
D14/196, 195, 194, 193, 192, 188, 168, 167,
D14/156, 136, 191, 157; D12/415, 420; 455/344,
455/350, 347; 248/27.3, 27.1, 558
See application file for complete search history.

(56) **References Cited**

U.S. PATENT DOCUMENTS

D380,756 S	7/1997	Ohba	
D428,612 S	* 7/2000	Scorrano	D14/194
D429,706 S	8/2000	Miyazaki	
D431,542 S	* 10/2000	Takahashi	D14/156
D431,546 S	* 10/2000	Ito et al.	D14/167
D432,112 S	10/2000	Hisatsune	
D440,549 S	* 4/2001	Scorrano	D14/168
D459,334 S	6/2002	Tsuge	
D461,788 S	* 8/2002	Oka	D14/168
D466,876 S	* 12/2002	Usami et al.	D14/136
D470,119 S	* 2/2003	Ota	D14/167
D470,468 S	* 2/2003	Ota	D14/156
D473,202 S	* 4/2003	Ishibashi	D14/156
D475,036 S	* 5/2003	Tejima	D14/168
D475,357 S	* 6/2003	Tejima	D14/135
D476,305 S	* 6/2003	Orihara et al.	D14/168

D479,229 S	* 9/2003	Ashcraft	D14/257
D480,693 S	* 10/2003	Johansson et al.	D14/136
D482,014 S	* 11/2003	Hakoda et al.	D14/157
D483,729 S	* 12/2003	Huang et al.	D14/136
D485,245 S	* 1/2004	Shiraki et al.	D14/136
D487,571 S	* 3/2004	Kuo et al.	D14/136
D495,670 S	* 9/2004	Sakagami	D14/136
D500,300 S	* 12/2004	Sakuma	D14/167

OTHER PUBLICATIONS

Web page "Sony eCatalog" <http://www.ecat.sony.co.jp/audio/hometheater/products/index.cfm?PD=441&KM=AVD-S1>, 1 sheet, Sony (Dec. 2003).

Catalog "Victor The Perfect Experience", p. 21 (3 sheets), Japan Victor Co., Ltd. (Oct. 2003).

Catalog "Panasonic, Ideas for life/DIGA", p. 4 (3 sheets), Matsushita Electric (Nov. 2003).

* cited by examiner

Primary Examiner—Cathron C. Brooks

Assistant Examiner—Austin Murphy

(74) *Attorney, Agent, or Firm*—Rader, Fishman & Grauer

(57) **CLAIM**

The ornamental design for a combined disc recorder and amplifier, as shown and described.

DESCRIPTION

FIG. 1 is a perspective view of a disc recorder showing my new design;

FIG. 2 is a front elevational view thereof;

FIG. 3 is an enlarged left side elevational view thereof;

FIG. 4 is an enlarged right side elevational view thereof;

FIG. 5 is a top plan view thereof; and,

FIG. 6 is a bottom plan view thereof.

Portions in broken lines are for illustrative purpose only and form no part of claimed design.

1 Claim, 4 Drawing Sheets

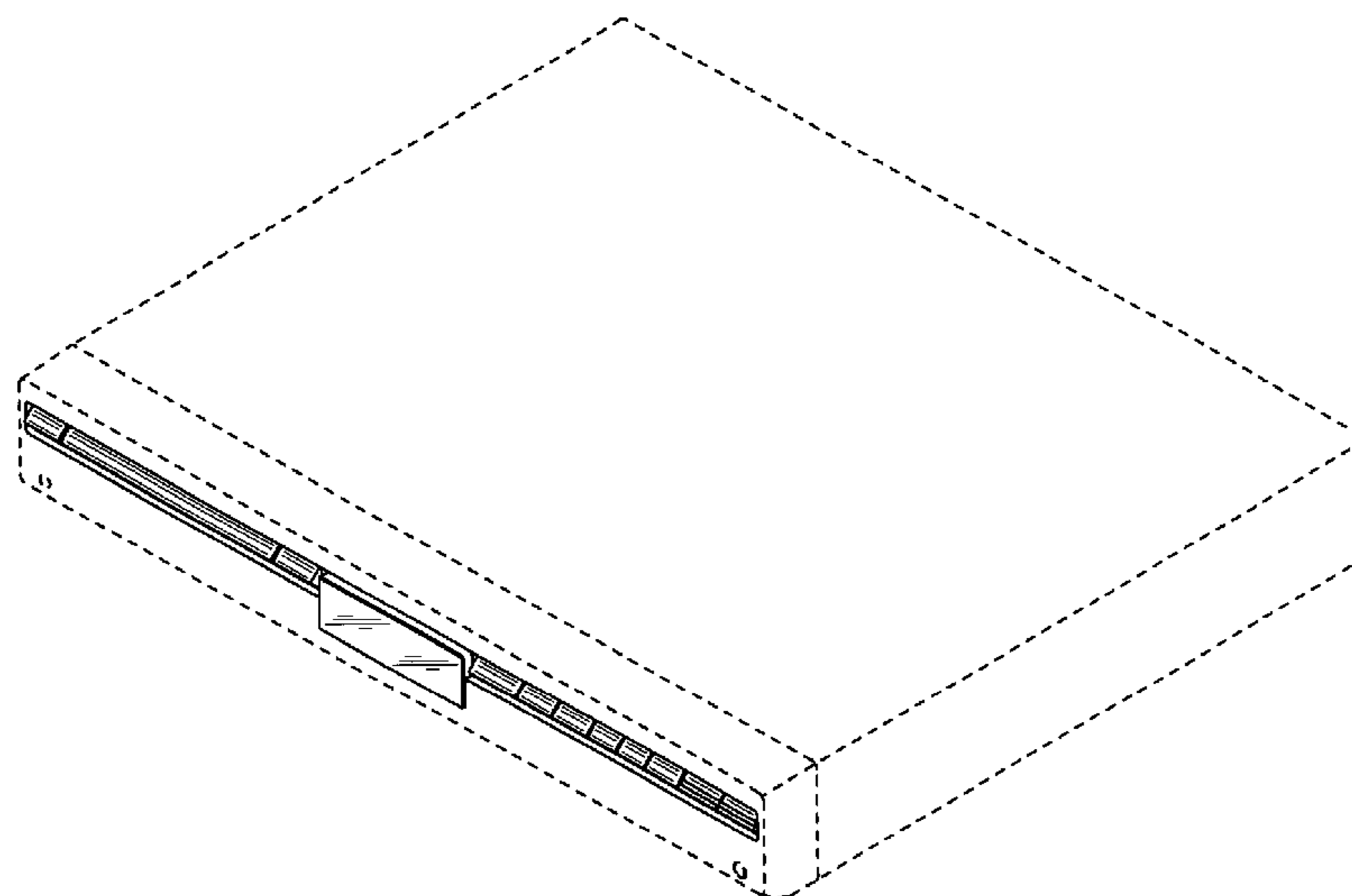


Fig.1

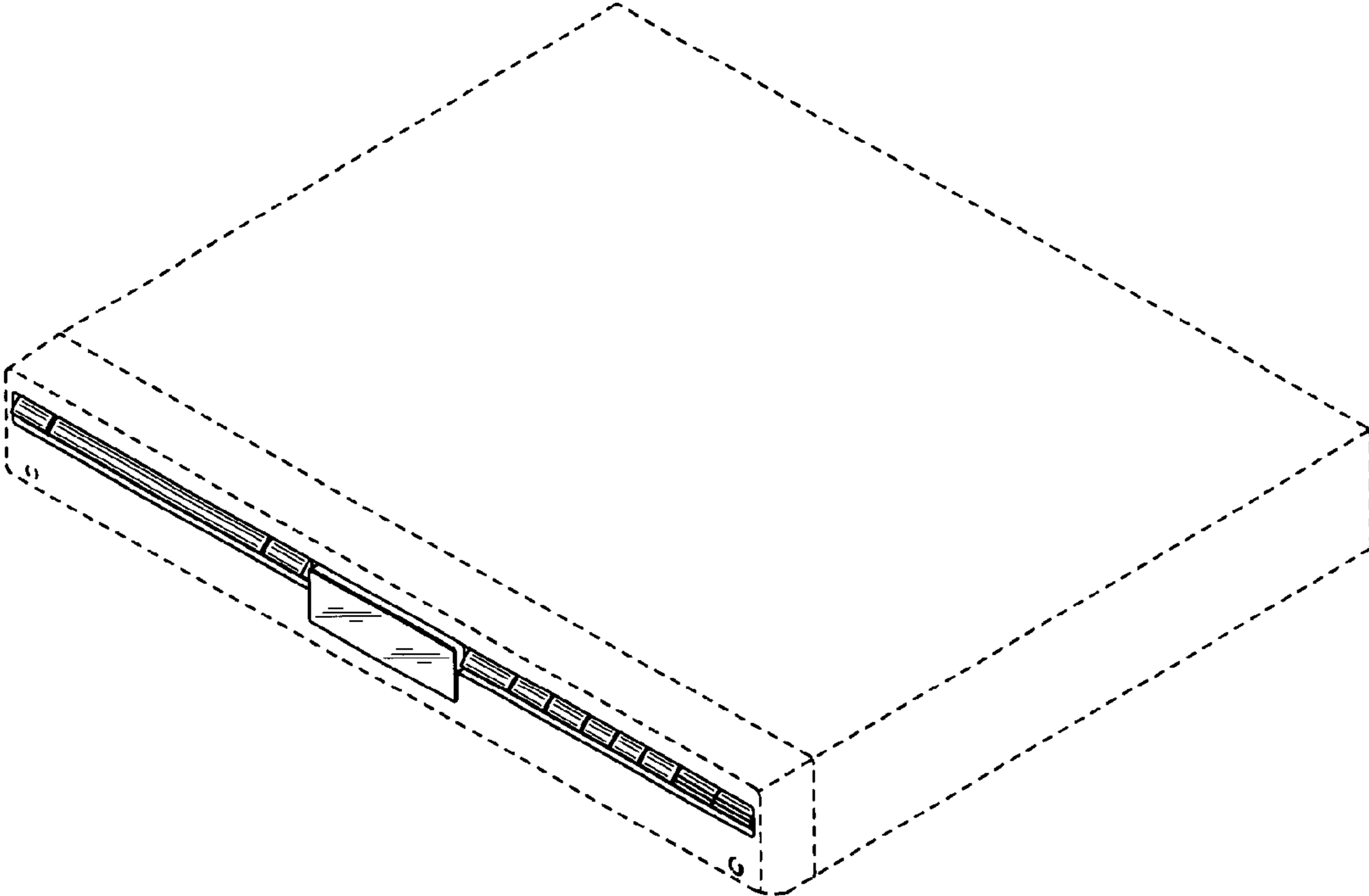


Fig.2

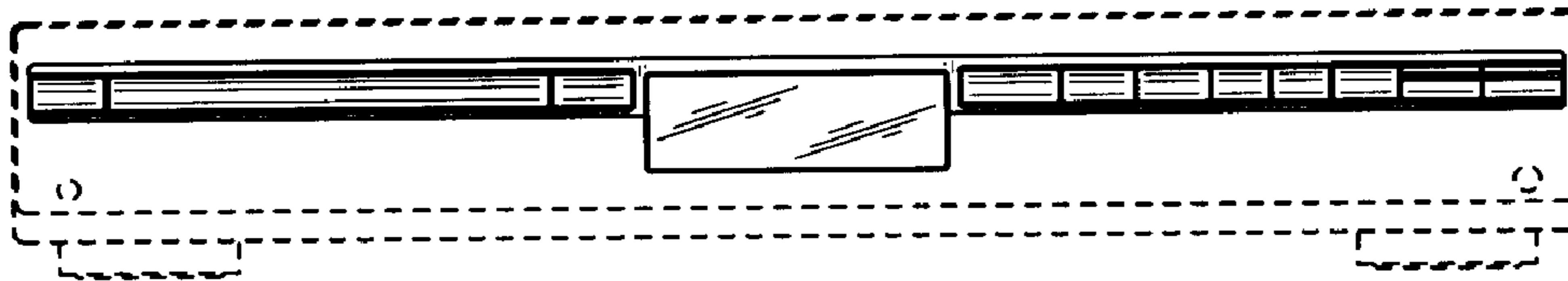


Fig.3

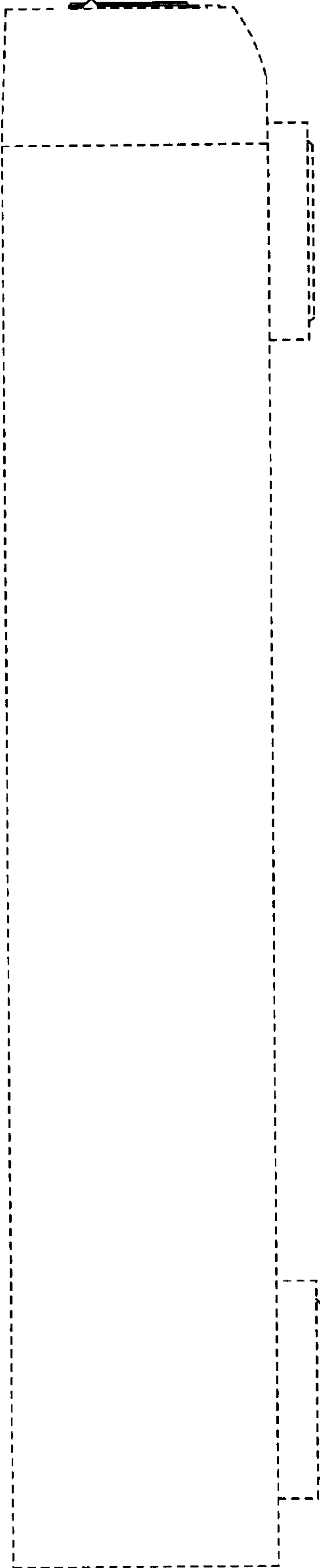


Fig.4

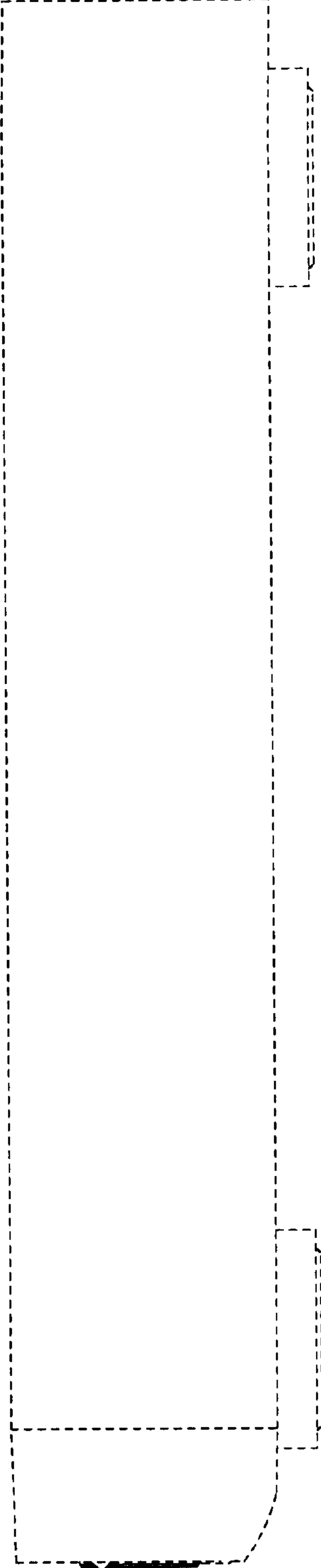


Fig.5

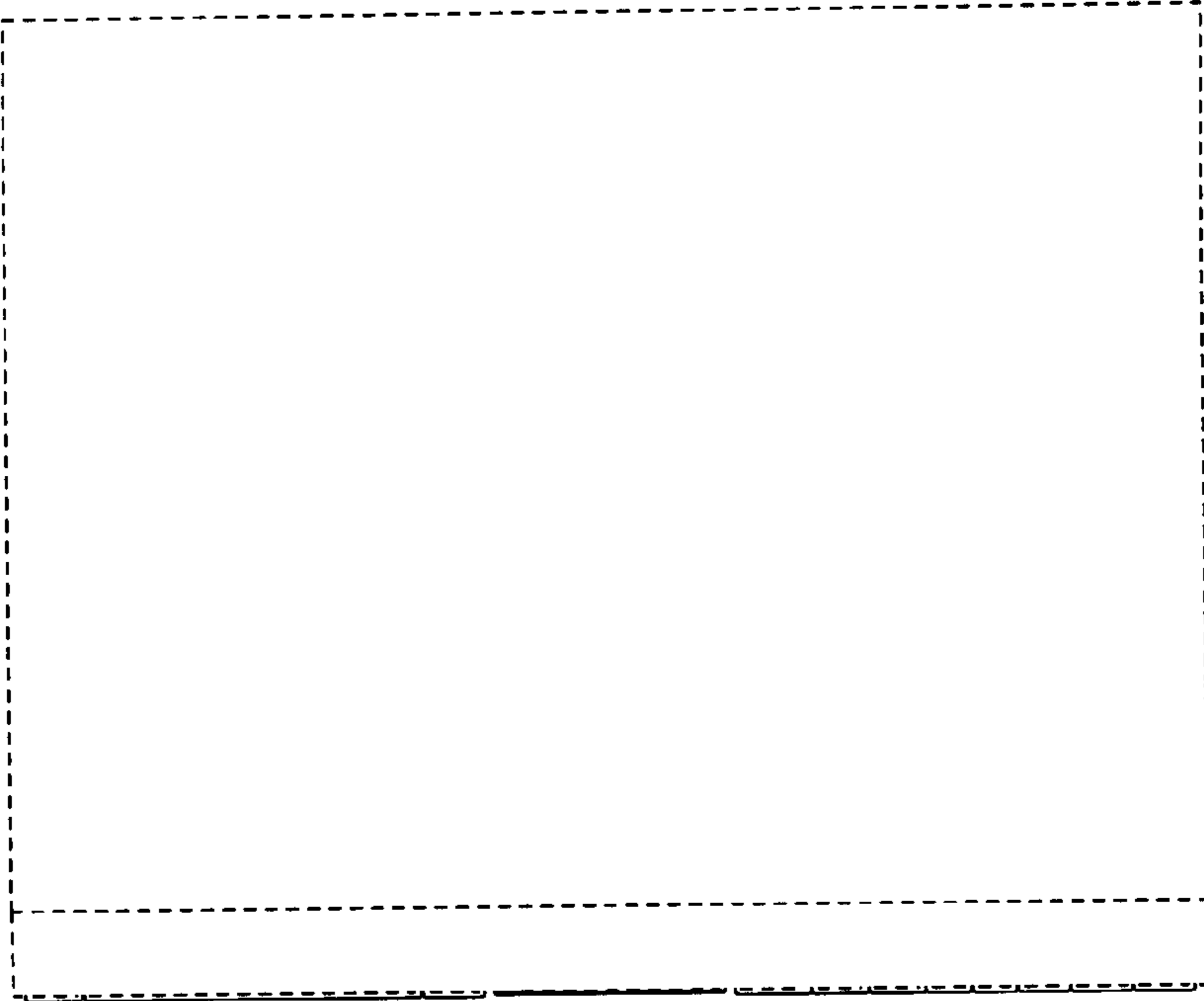


Fig.6

