



US00D517055S

(12) **United States Design Patent**  
**Hung et al.**

(10) **Patent No.: US D517,055 S**  
(45) **Date of Patent: \*\* Mar. 14, 2006**

- (54) **MULTIPLE ANTENNA CLUSTER**
- (75) Inventors: **Frank Hung**, Irvine, CA (US);  
**Hsiu-Ling Lee**, Arcadia, CA (US);  
**Calvin Y. Liu**, Irvine, CA (US); **Eric H. Wang**, Irvine, CA (US)
- (73) Assignee: **Cisco Technology, Inc.**, San Jose, CA (US)
- (\*\*) Term: **14 Years**
- (21) Appl. No.: **29/228,726**
- (22) Filed: **Apr. 27, 2005**
- (51) **LOC (8) Cl. .... 14-03**
- (52) **U.S. Cl. .... D14/230; D14/233**
- (58) **Field of Classification Search** ..... D14/137,  
D14/138, 230-238, 299, 358; D12/42, 43;  
343/700 R-705, 871-908, 795, 840, 711-713,  
343/819, 846; 455/90.2, 90.3, 91, 128, 269,  
455/344, 347, 562.1  
See application file for complete search history.

- 2,819,463 A \* 1/1958 Vail et al. .... 343/808
- D242,863 S \* 12/1976 Middlemark ..... D14/234
- D298,431 S \* 11/1988 Shimazaki ..... D14/234
- 6,249,688 B1 \* 6/2001 Holshouser et al. .... 455/575.7
- D505,957 S \* 6/2005 Liu ..... D14/433

\* cited by examiner

*Primary Examiner*—Louis S. Zarfaz  
*Assistant Examiner*—John Windmuller  
(74) *Attorney, Agent, or Firm*—MacPherson Kwok Chen & Heid LLP; Tom Chen

(57) **CLAIM**

The ornamental design for a multiple antenna cluster, substantially as shown and described.

**DESCRIPTION**

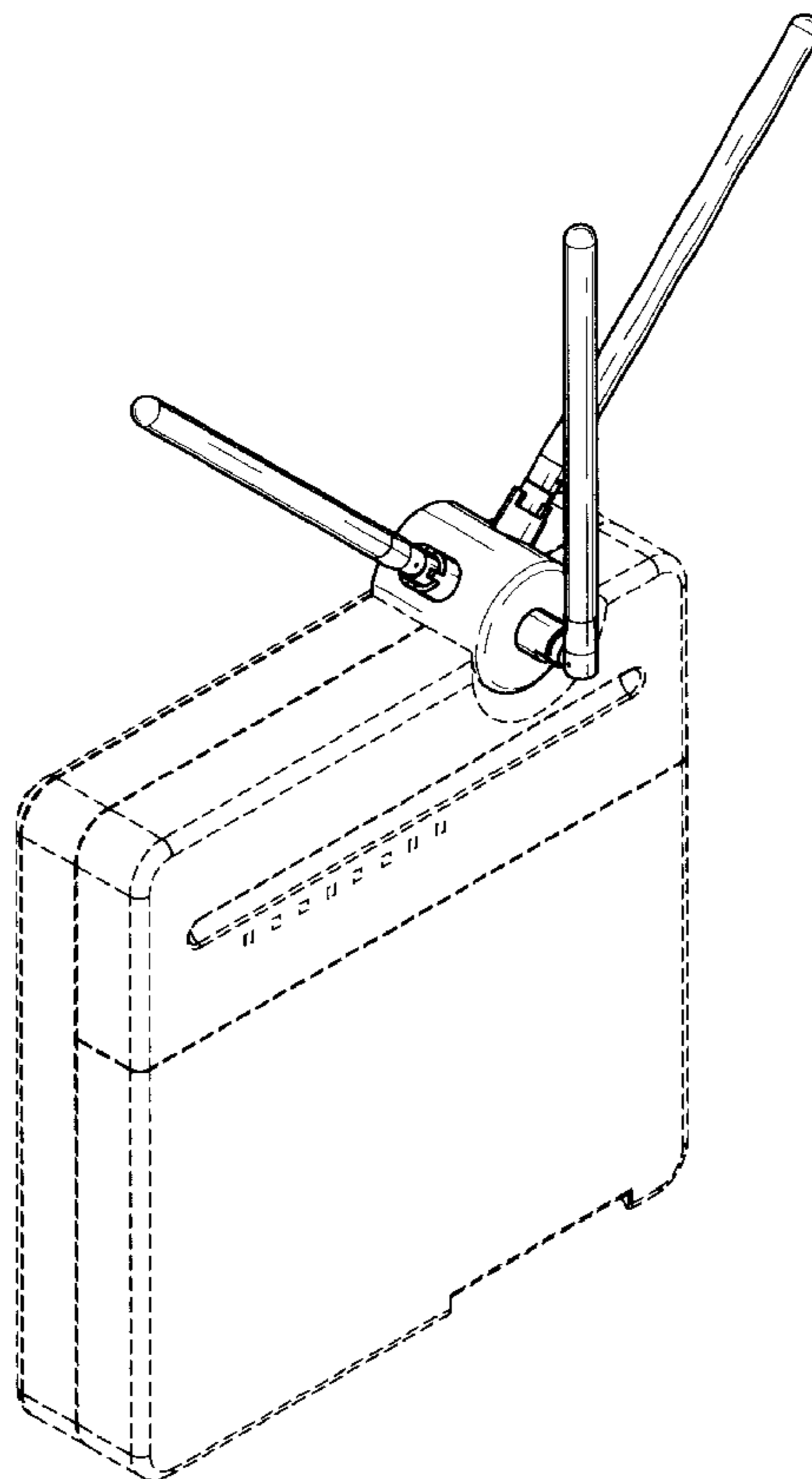
FIG. 1 is a front left perspective view of a multiple antenna cluster showing our new design;  
FIG. 2 is a rear right perspective view thereof;  
FIG. 3 is a front elevational view thereof;  
FIG. 4 is a rear elevational view thereof;  
FIG. 5 is a top plan view thereof;  
FIG. 6 is a left side elevational view thereof; and,  
FIG. 7 is a right side elevational view thereof.  
The broken line showing of a wireless device housing is for illustrative purposes only and forms no part of the claimed design.

(56) **References Cited**

**U.S. PATENT DOCUMENTS**

- D145,116 S \* 7/1946 Brown ..... D14/233
- D159,725 S \* 8/1950 Goumas ..... D14/234
- D181,027 S \* 9/1957 Singer ..... D14/235

**1 Claim, 4 Drawing Sheets**



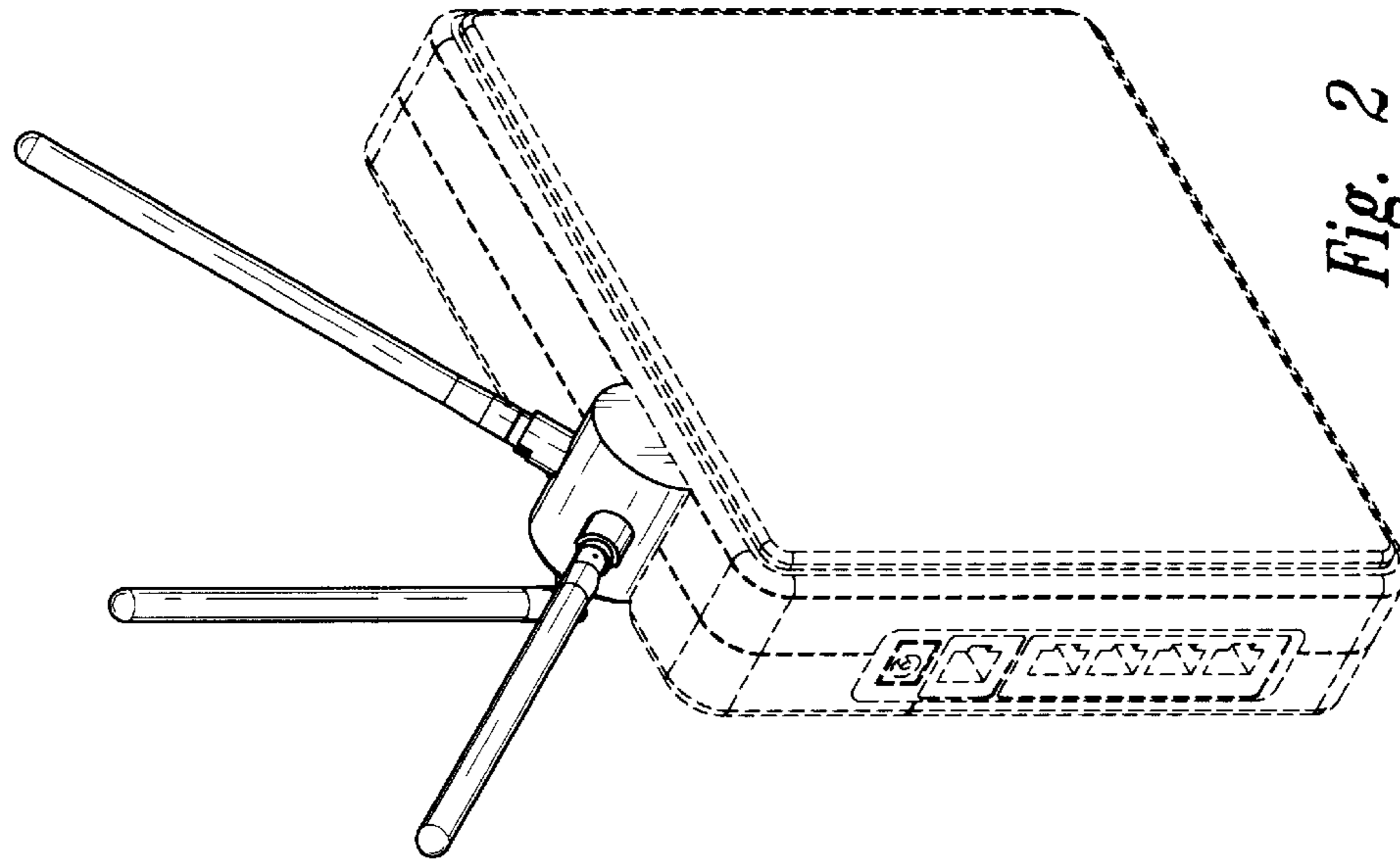


Fig. 2

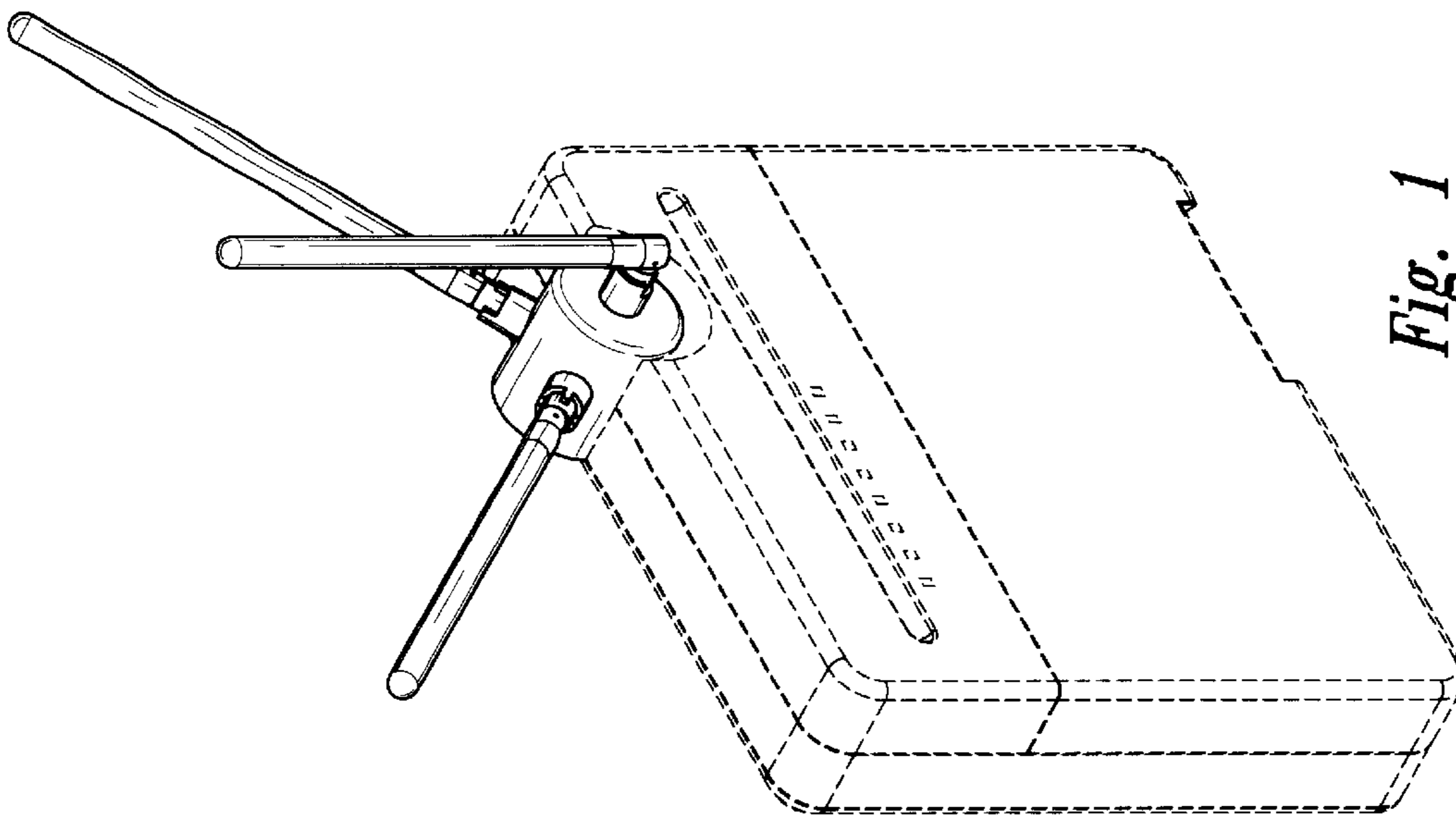
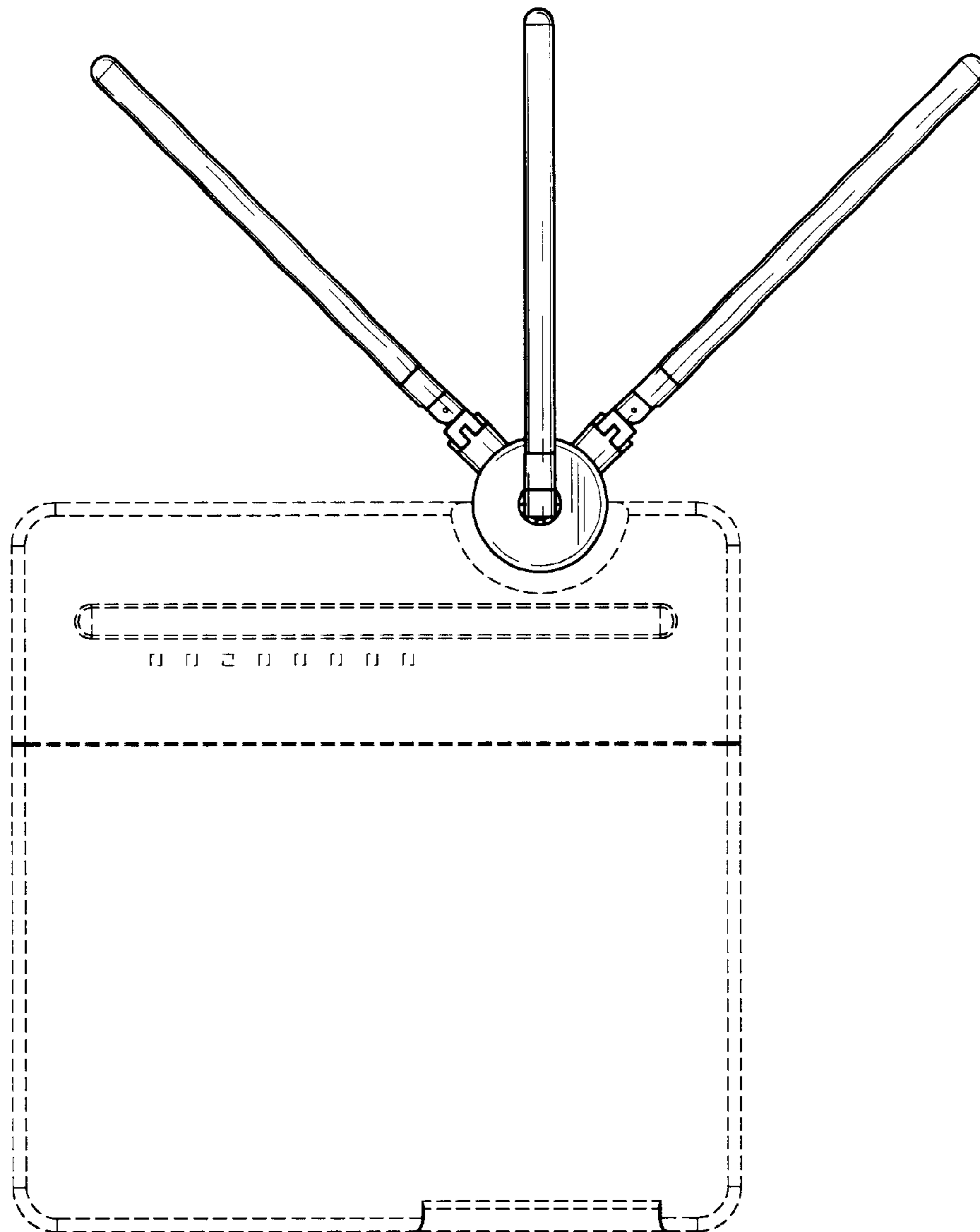
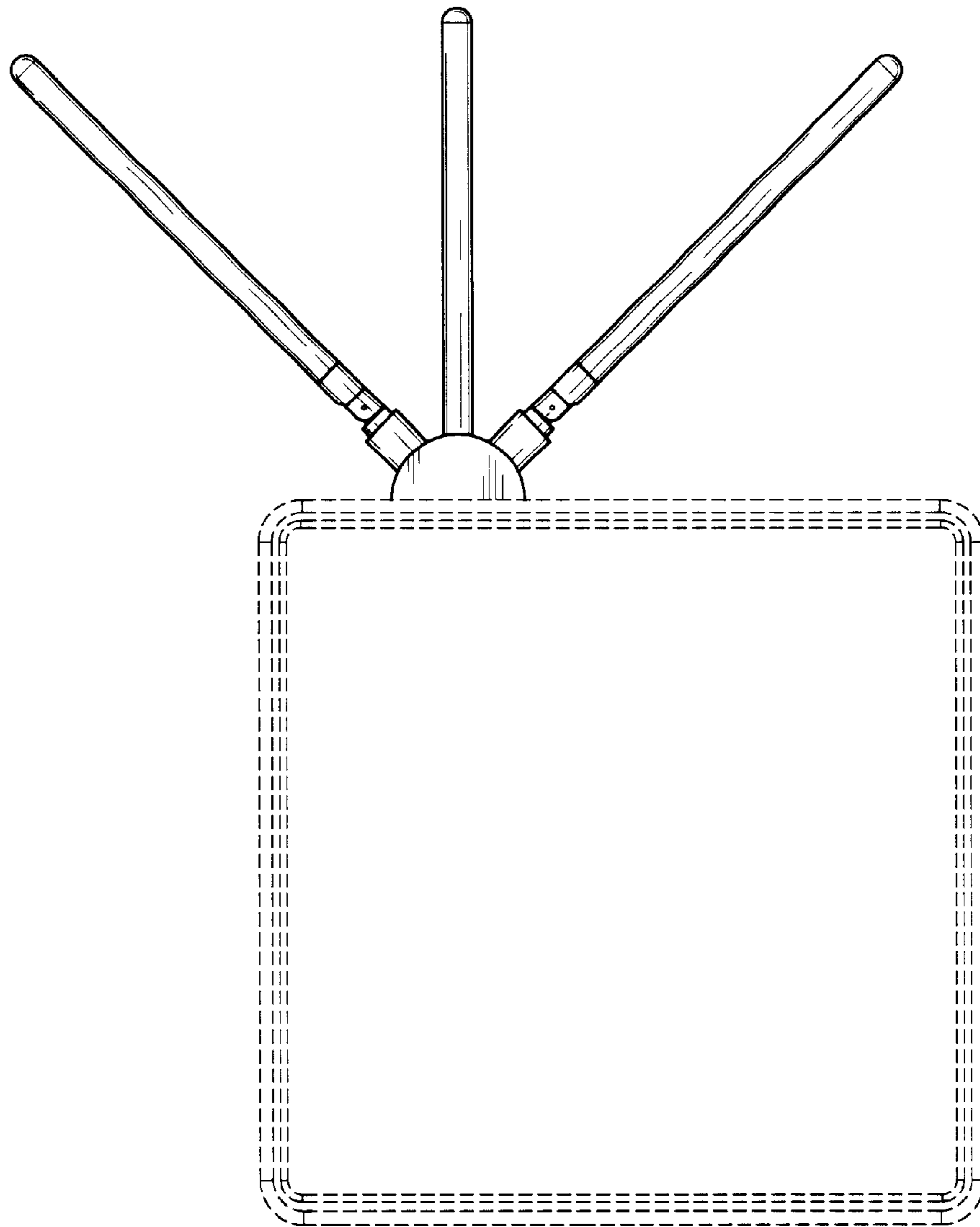


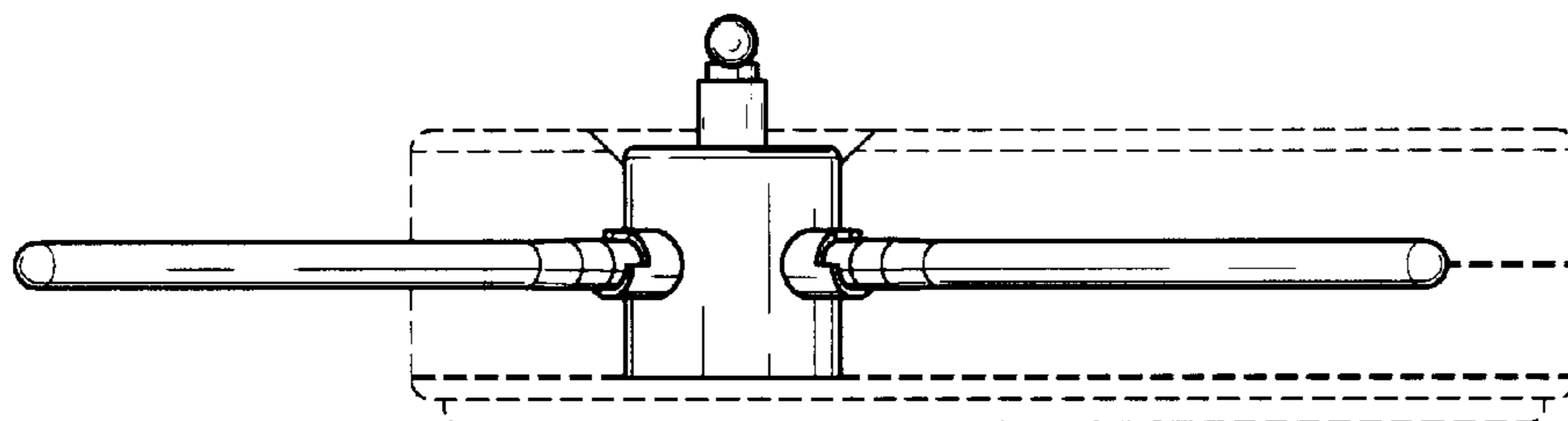
Fig. 1



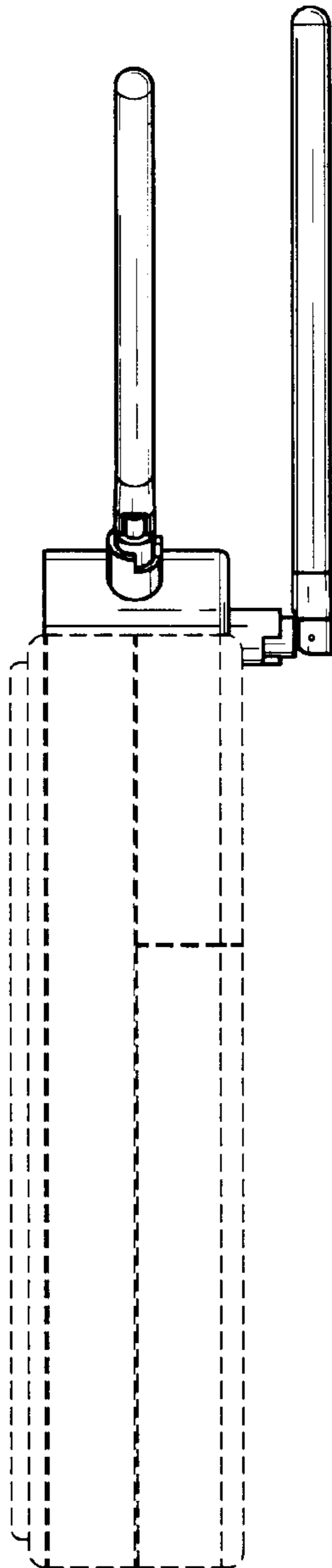
*Fig. 3*



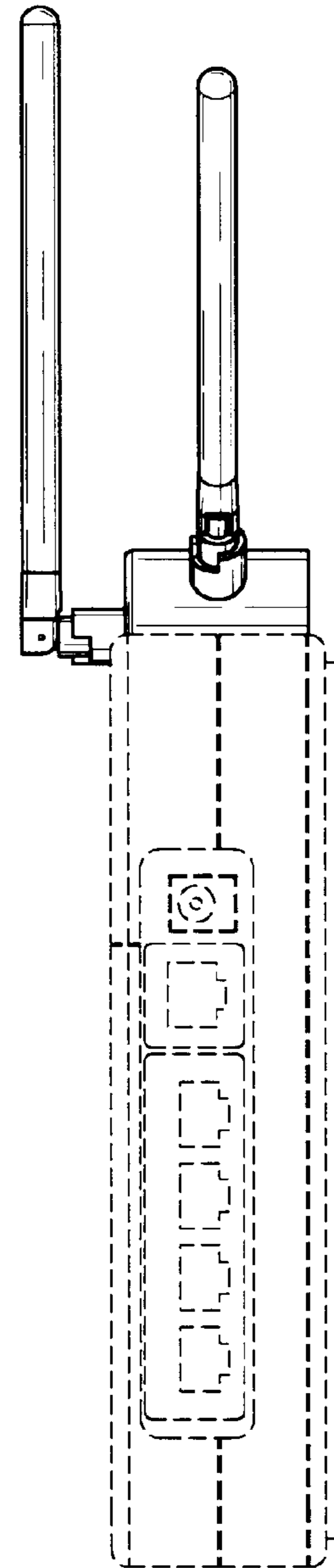
*Fig. 4*



*Fig. 5*



*Fig. 6*



*Fig. 7*