



US00D517053S

(12) **United States Design Patent**
Ham

(10) **Patent No.:** **US D517,053 S**
(45) **Date of Patent:** **** Mar. 14, 2006**

- (54) **COMMUNICATIONS HEADSET**
- (75) Inventor: **Soohyun Ham**, Santa Cruz, CA (US)
- (73) Assignee: **Plantronics, Inc.**, Santa Cruz, CA (US)
- (**) Term: **14 Years**
- (21) Appl. No.: **29/225,101**
- (22) Filed: **Mar. 9, 2005**
- (51) **LOC (8) Cl.** **14-01**
- (52) **U.S. Cl.** **D14/223**
- (58) **Field of Classification Search** D14/205,
D14/206, 223; 181/129, 135, 130; 379/430,
379/433; 381/113, 370, 376, 377, 378, 379,
381/380, 381, 375; D24/174
See application file for complete search history.

- (56) **References Cited**
U.S. PATENT DOCUMENTS
- 4,516,428 A * 5/1985 Konomi 381/113
- D344,800 S * 3/1994 Lamby D24/174
- D357,921 S * 5/1995 Ming-Chin D14/223
- D377,796 S * 2/1997 Hayashi D14/206
- 6,241,042 B1 * 6/2001 Falco 181/135
- D471,898 S * 3/2003 Bae D14/223
- D479,834 S * 9/2003 Salazar et al. D14/205

- 6,760,459 B1 * 7/2004 Bae 381/375
- D494,568 S * 8/2004 Pan D14/223
- D502,171 S * 2/2005 Tang et al. D14/223

* cited by examiner
Primary Examiner—Paula A. Greene

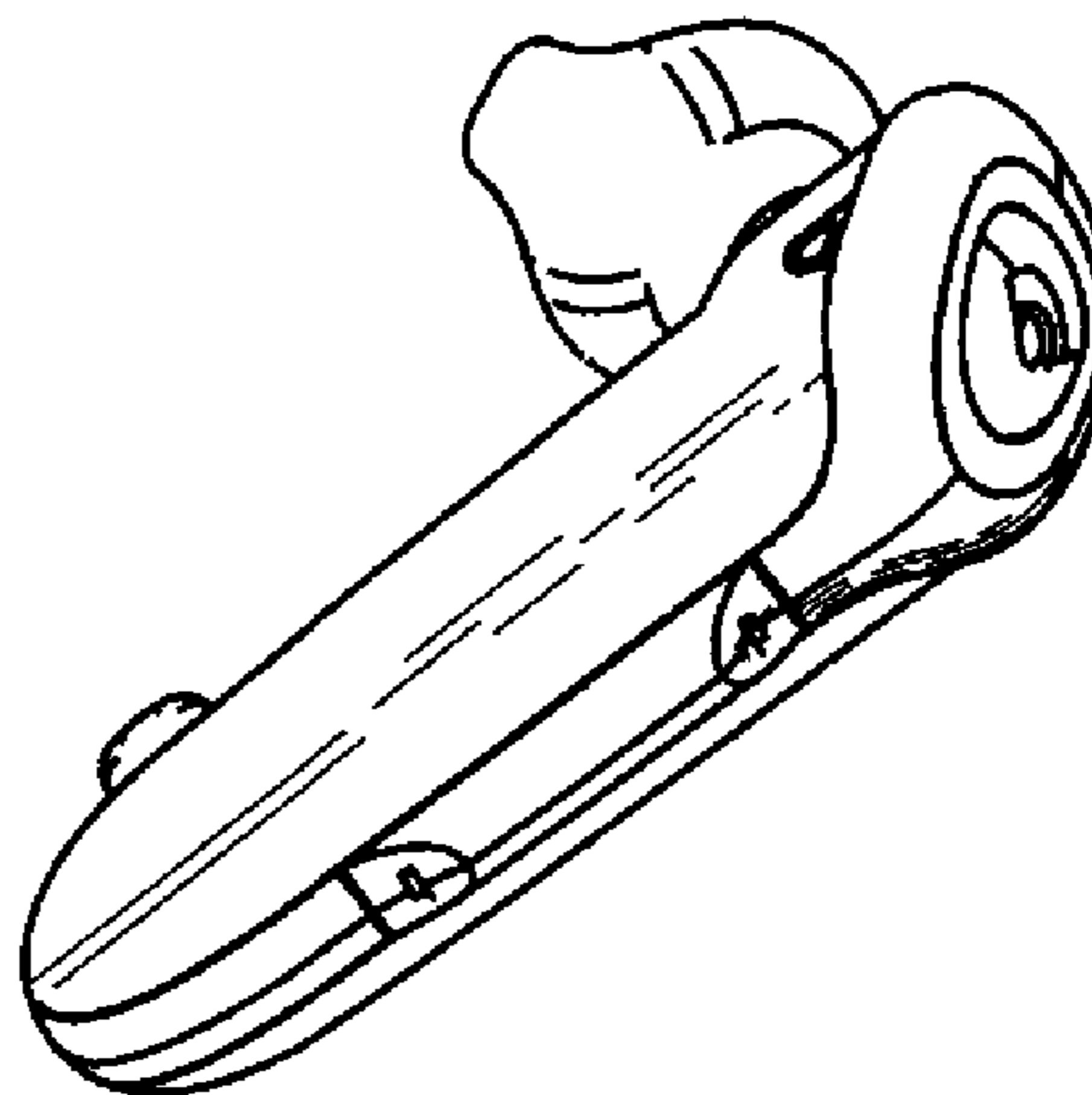
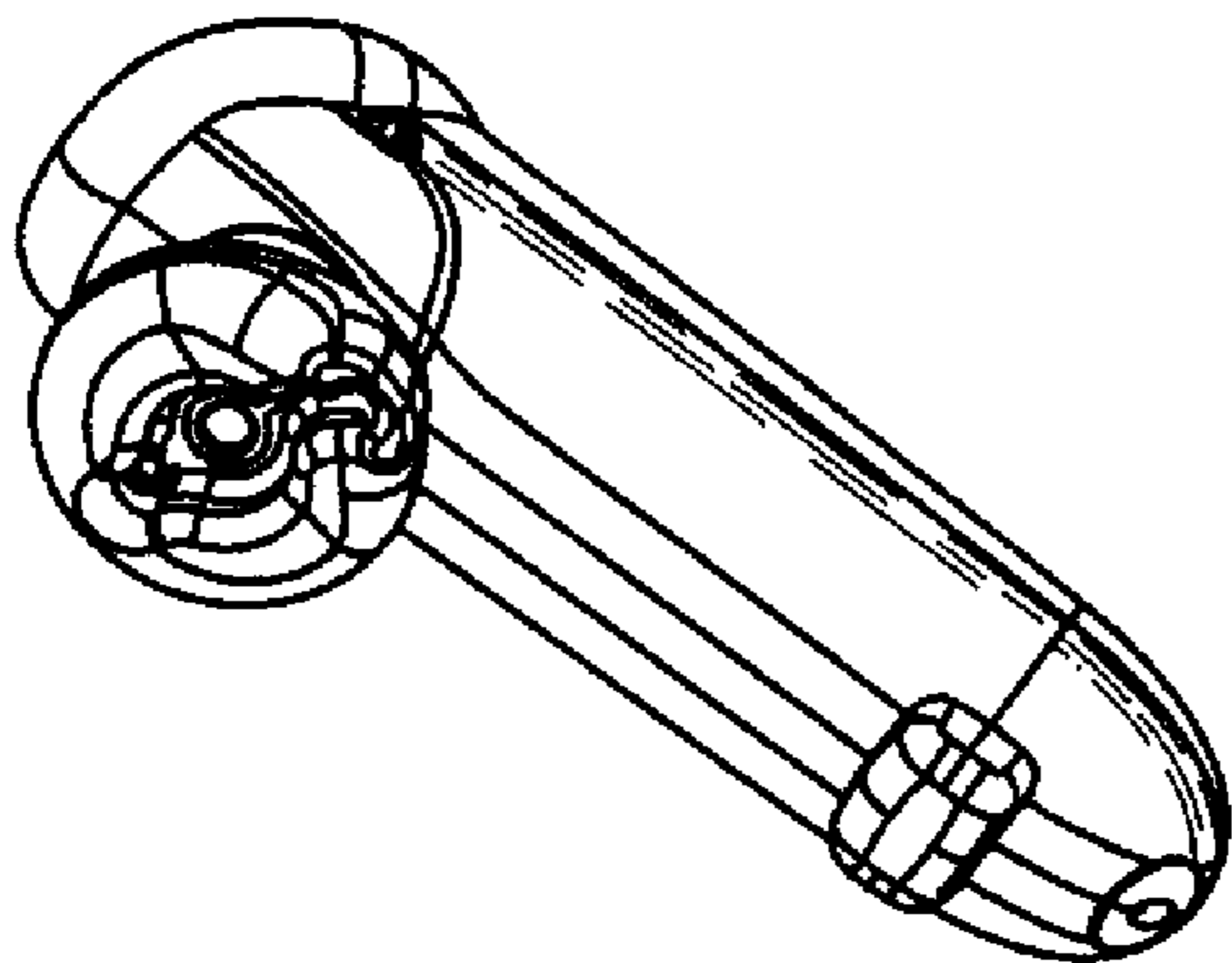
(57) **CLAIM**

The ornamental design for a communications headset, as shown and described.

DESCRIPTION

FIG. 1 is a lower rear left perspective view of a communications headset showing my new design;
 FIG. 2 is a top plan view of the communications headset.
 FIG. 3 is an upper front left perspective view of the communications headset.
 FIG. 4 is a right side elevational view of the communications headset.
 FIG. 5 is a left side elevational view of the communications headset.
 FIG. 6 is a front elevational view of the communications headset.
 FIG. 7 is a rear elevational view of the communications headset; and,
 FIG. 8 is a bottom plan view of the communications headset.

1 Claim, 2 Drawing Sheets



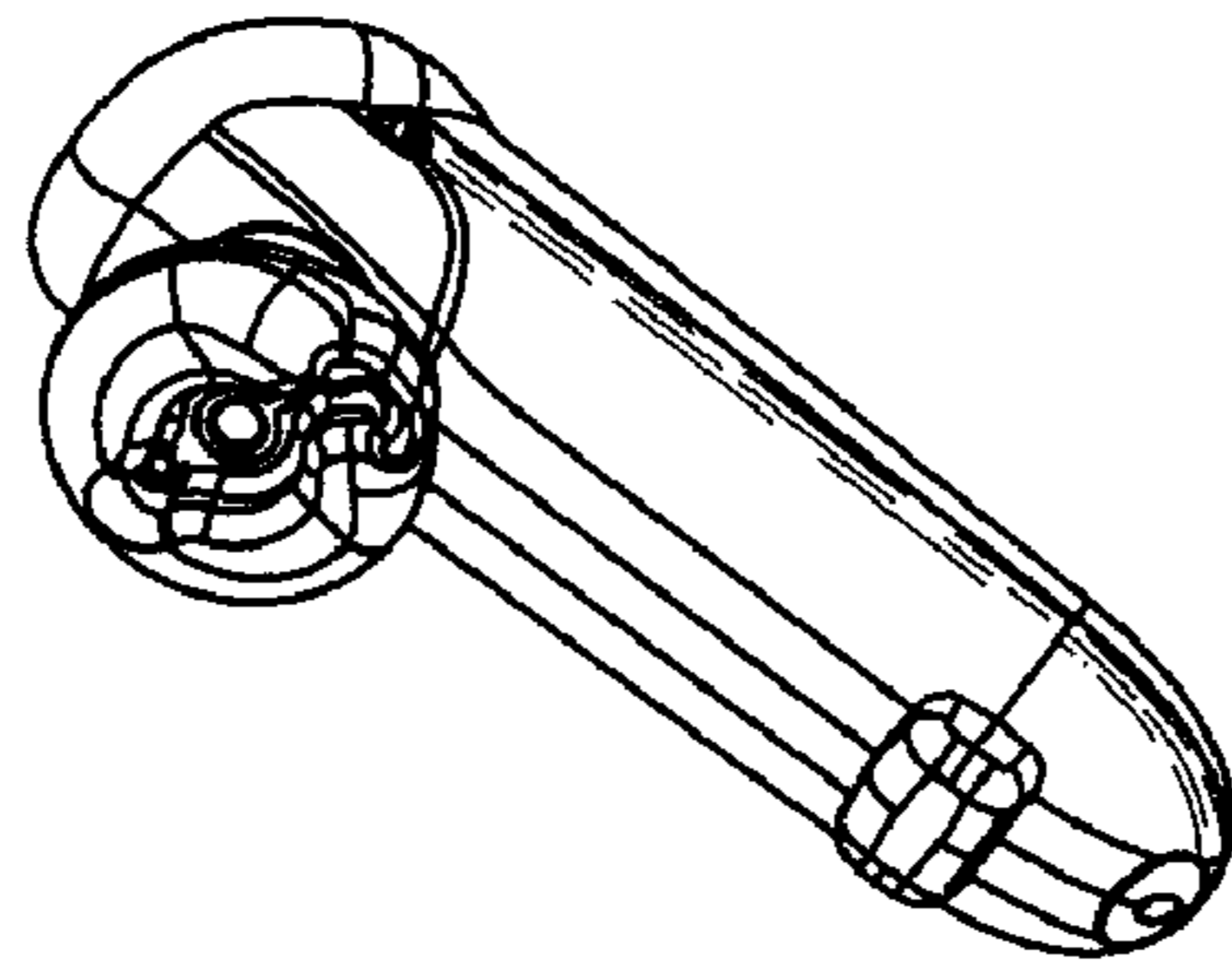


FIG. 1

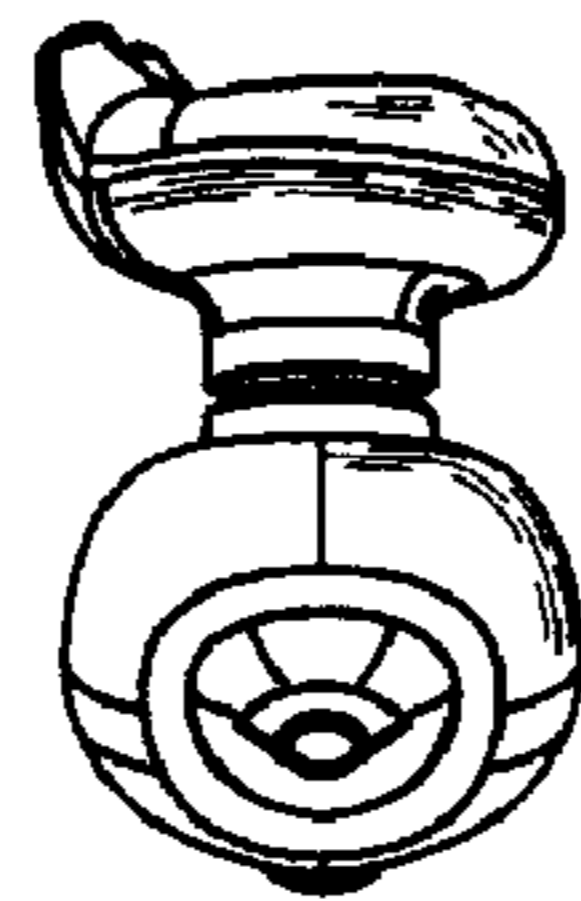


FIG. 2

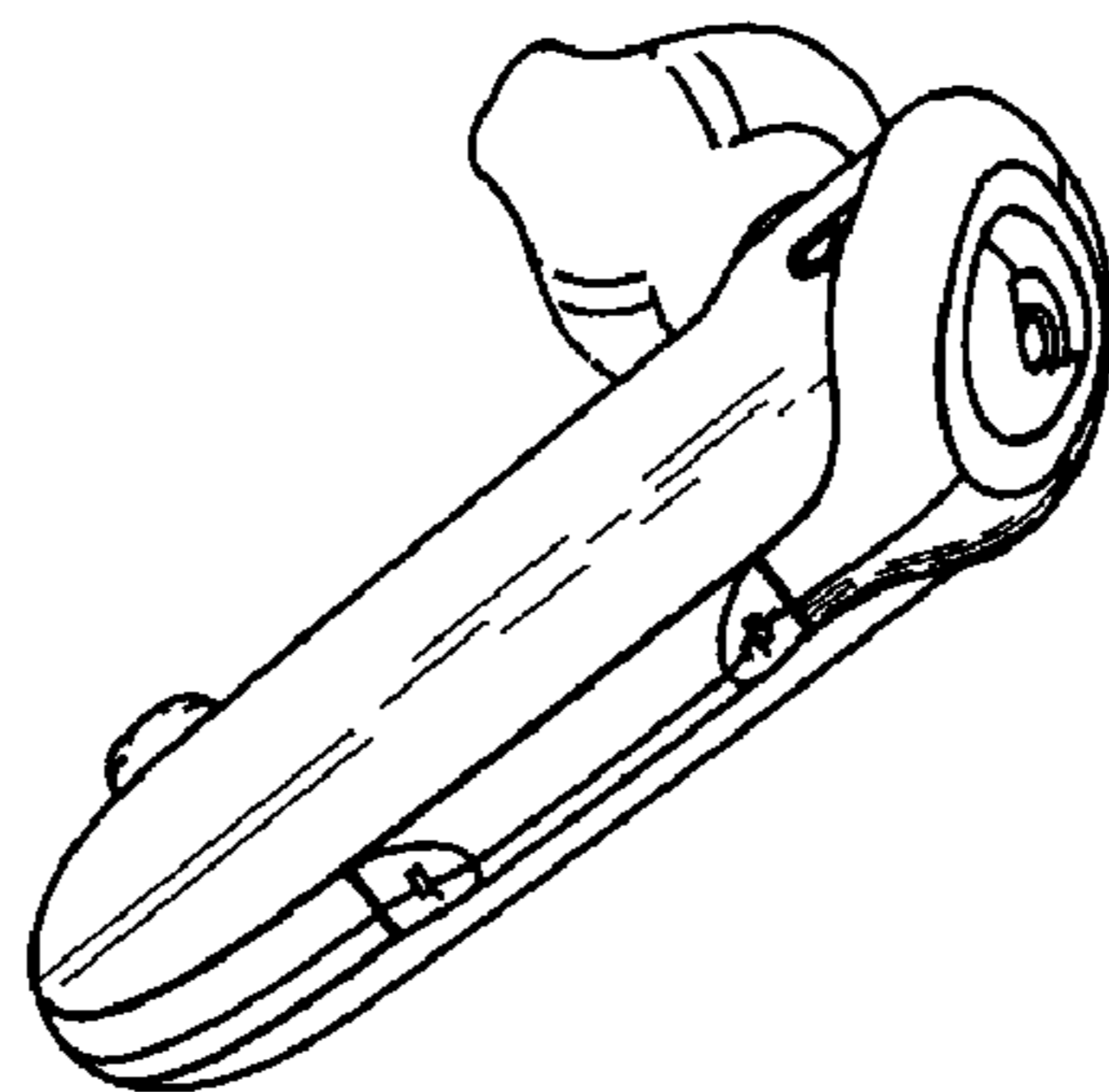


FIG. 3

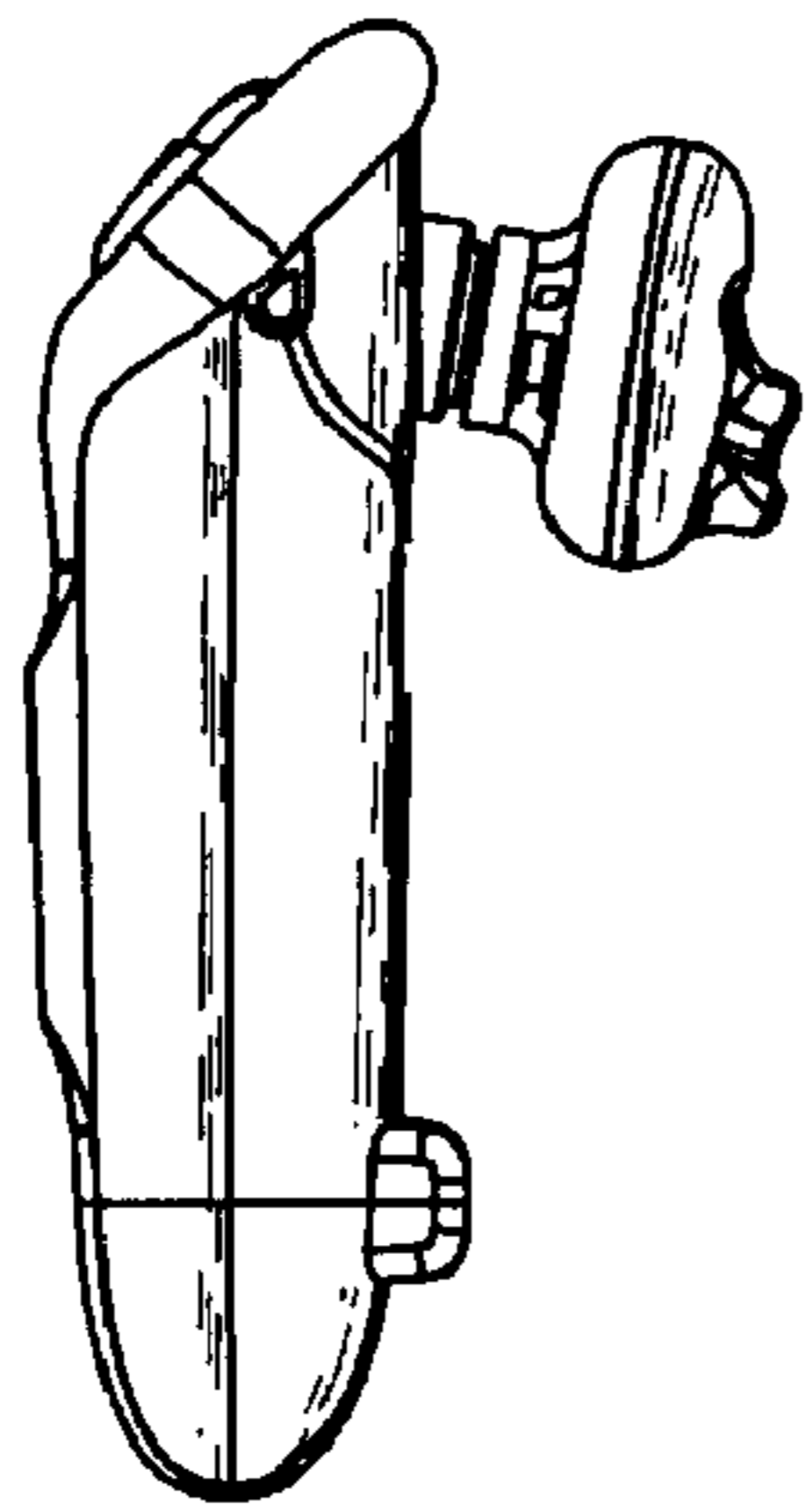


FIG. 4

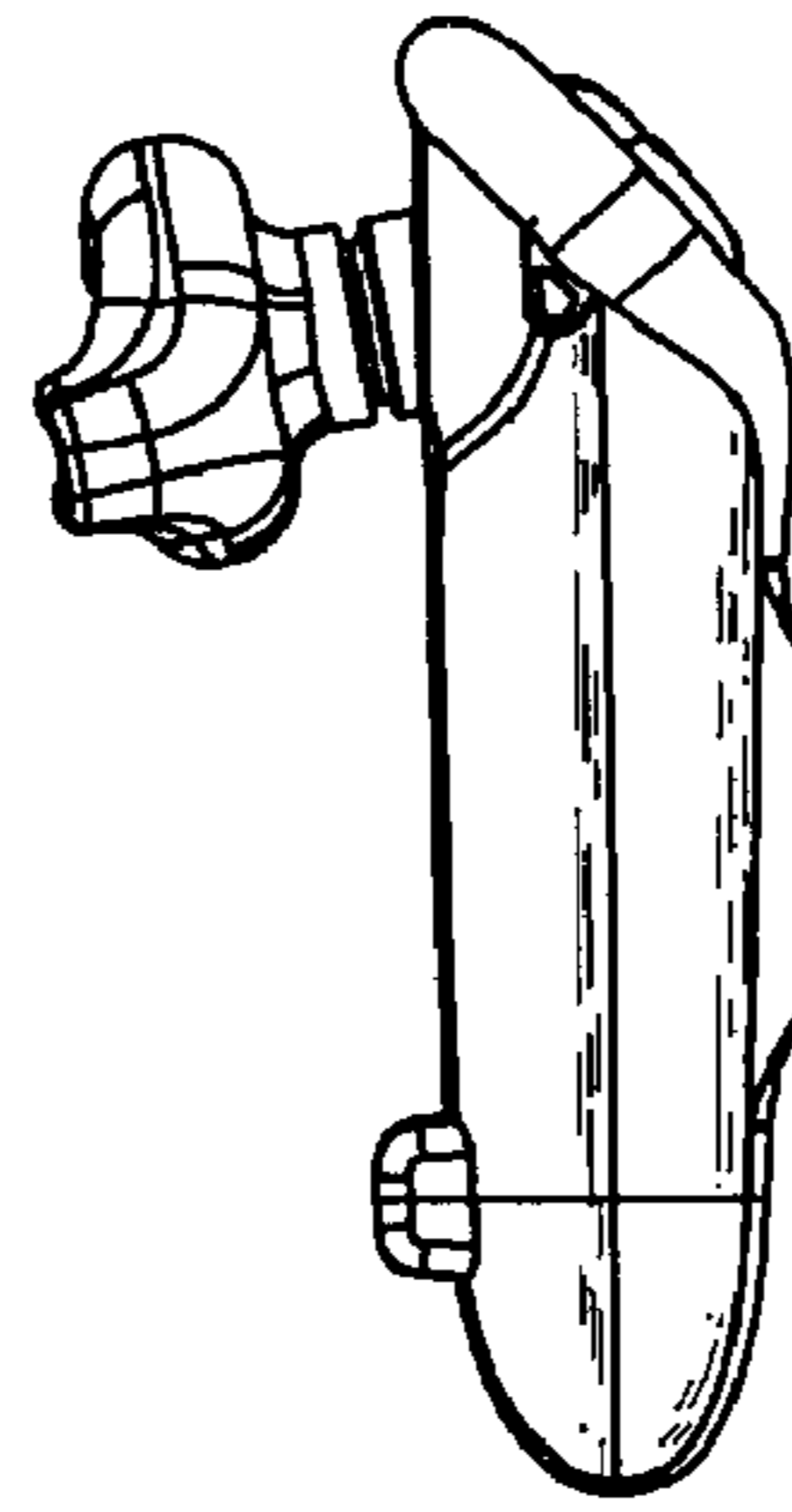


FIG. 5

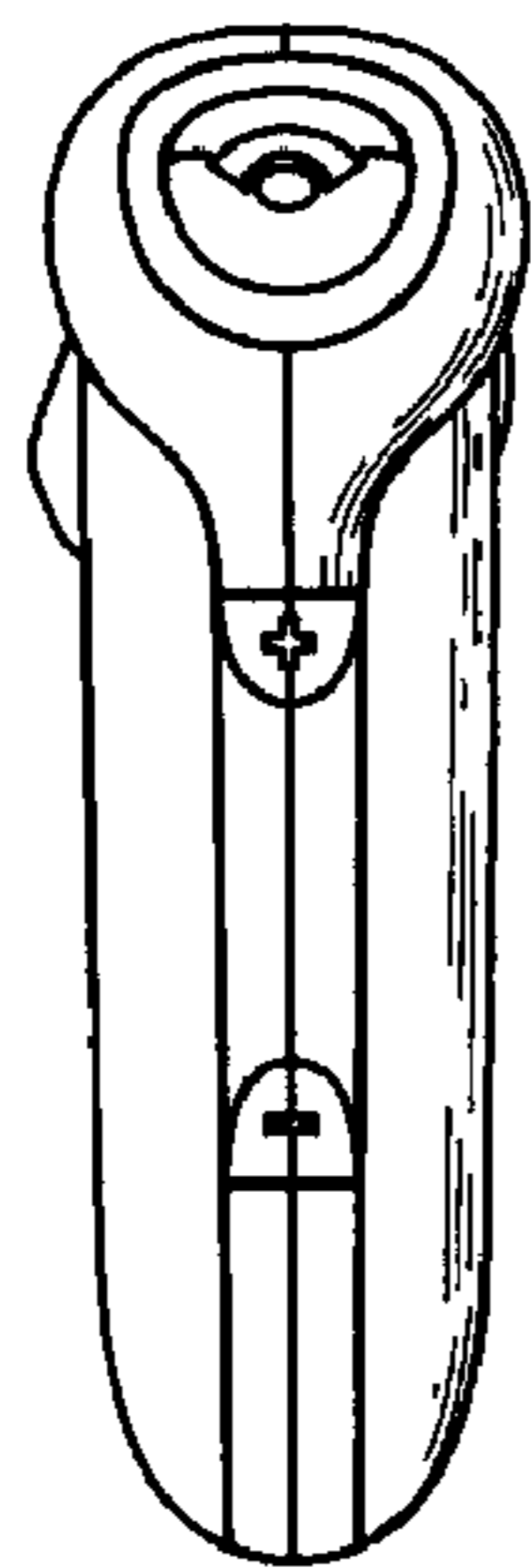


FIG. 6

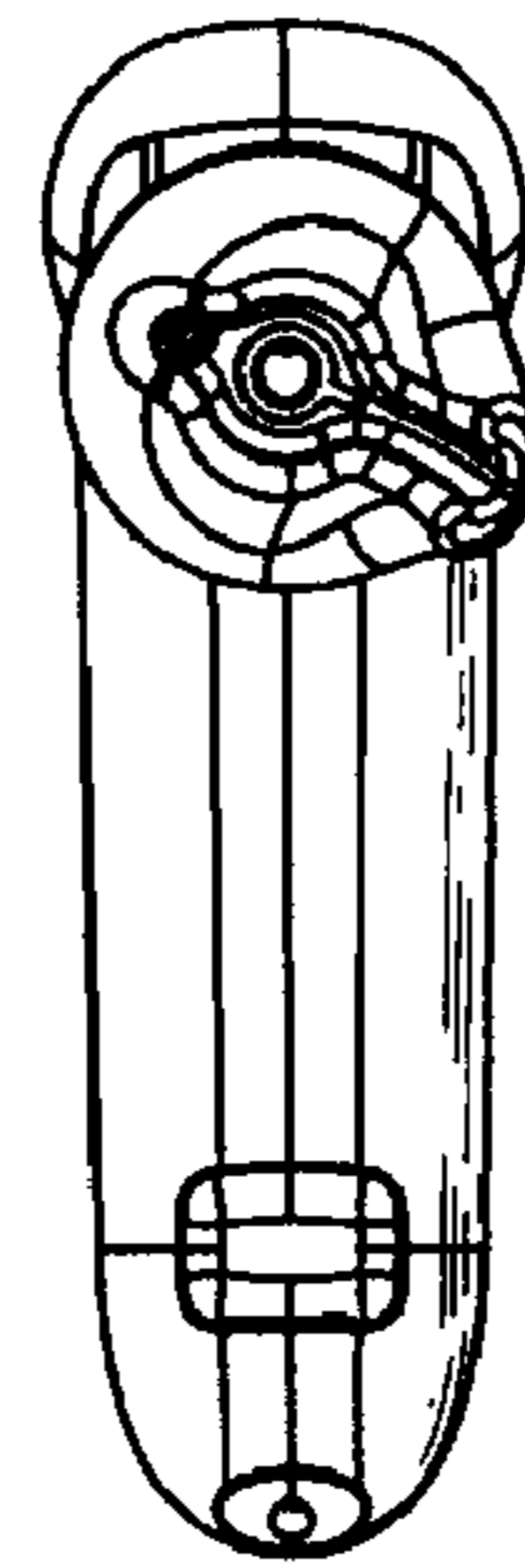


FIG. 7

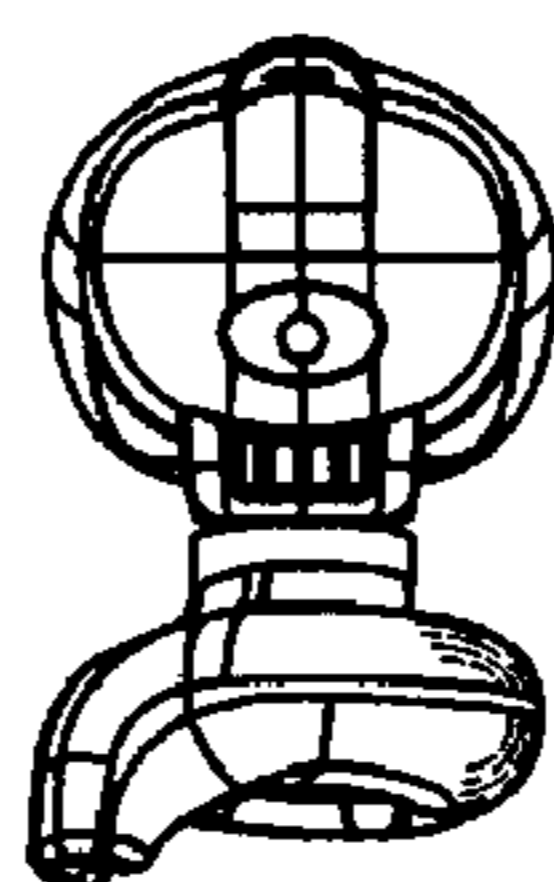


FIG. 8