



US00D517051S

(12) **United States Design Patent**
Nevares et al.

(10) **Patent No.:** **US D517,051 S**
(45) **Date of Patent:** **** Mar. 14, 2006**

(54) **NATURAL AMBIENCE COMPENSATOR (NAC)**

D400,530 S * 11/1998 Botden D14/168
D432,519 S * 10/2000 Yamaoka et al. D14/172
D452,855 S * 1/2002 Ota D14/214
D461,464 S * 8/2002 Sterns et al. D14/214
D478,065 S * 8/2003 Bolton et al. D14/214

(75) Inventors: **Rafael Nevares**, Anaheim Hills, CA (US); **Joseph M. Vojtko**, Lawrence, KS (US); **Gayle Sanders**, Olathe, KS (US); **Warren R. Stevens**, Olathe, KS (US)

* cited by examiner

(73) Assignee: **Martin-Logan, Ltd.**, Lawrence, KS (US)

Primary Examiner—Nanda Bondade
(74) *Attorney, Agent, or Firm*—Blackwell Sander Peper Martin LLP

(**) Term: **14 Years**

(57) **CLAIM**

(21) Appl. No.: **29/196,563**

The ornamental design for a natural ambience compensator (NAC), as shown and described.

(22) Filed: **Dec. 31, 2003**

DESCRIPTION

(51) **LOC (8) Cl.** **14-01**

(52) **U.S. Cl.** **D14/221**

(58) **Field of Classification Search** D14/204,
D14/207, 209–216, 356; 181/143–144, 147–148,
181/150, 157, 198–199, 151, 153; 381/300–302,
381/306, 333, 345, 361–364, 386–388, 332,
381/336

FIG. 1 is a perspective view of a natural ambience compensator (NAC) embodying the design;
FIG. 2 is a top plan view thereof;
FIG. 3 is a side elevational view taken from the left side of FIG. 2;
FIG. 4 is a back elevational view thereof; and,
FIG. 5 is a front elevational view thereof.

See application file for complete search history.

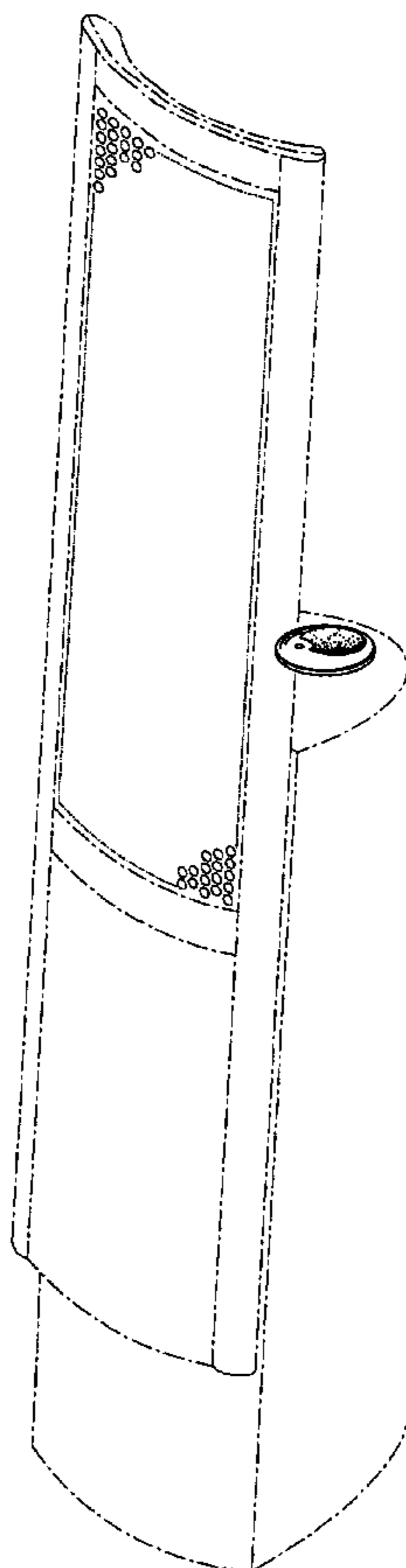
The dotted lines are environmental only and form no part of the claimed design.

(56) **References Cited**

U.S. PATENT DOCUMENTS

D359,050 S * 6/1995 Deguchi D14/210

1 Claim, 3 Drawing Sheets



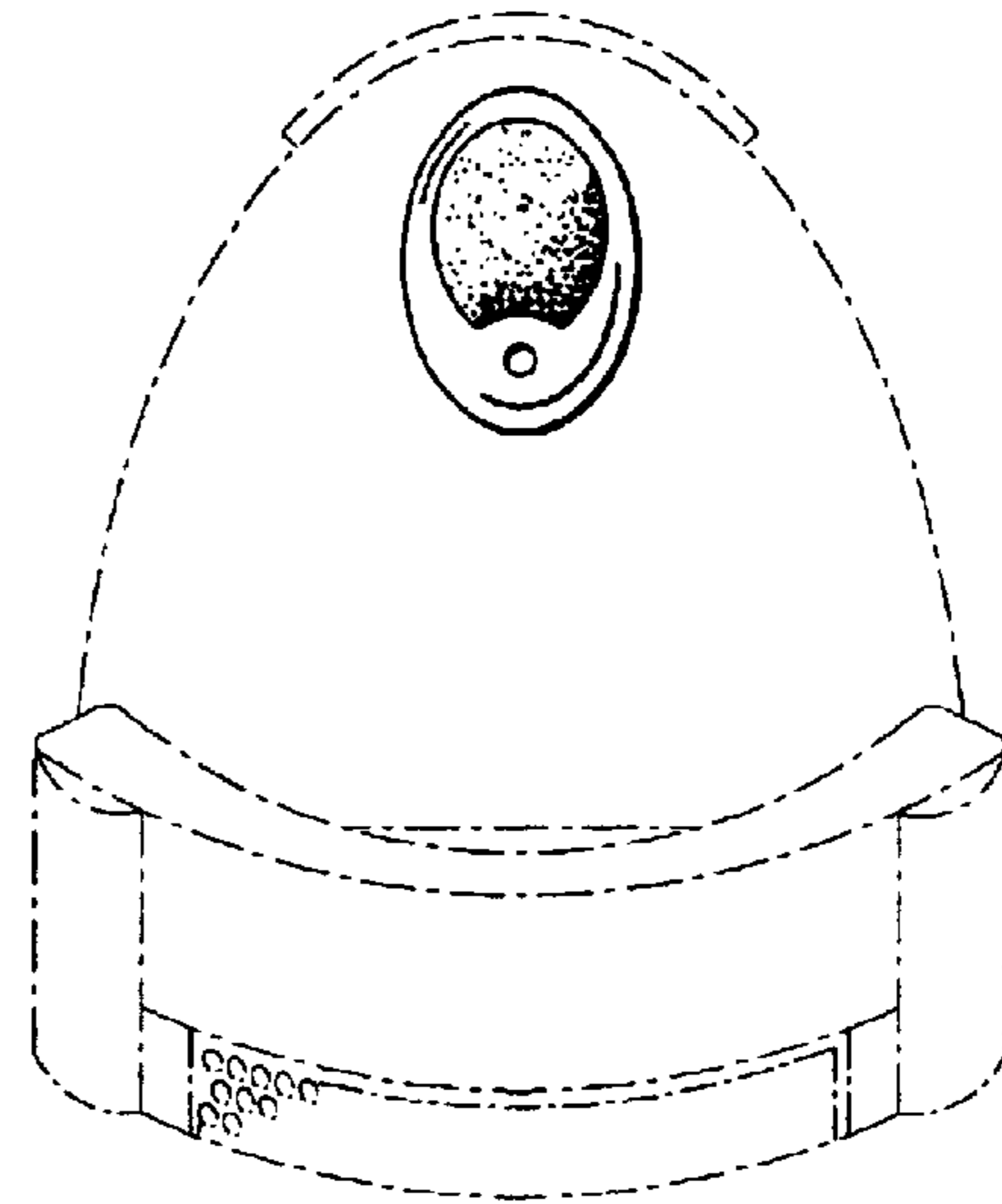
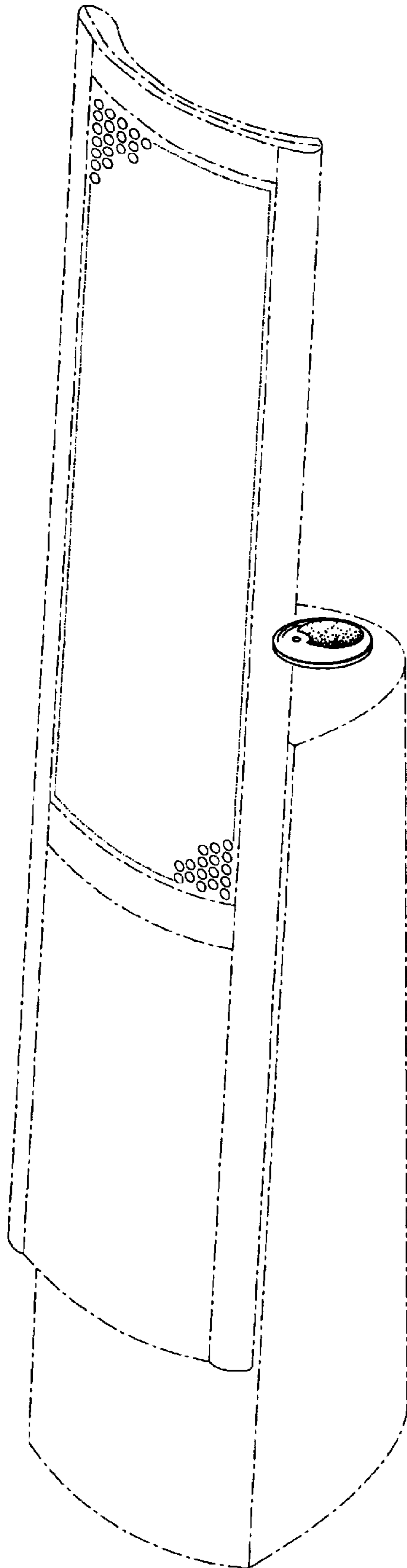


FIG.
2

FIG.
1

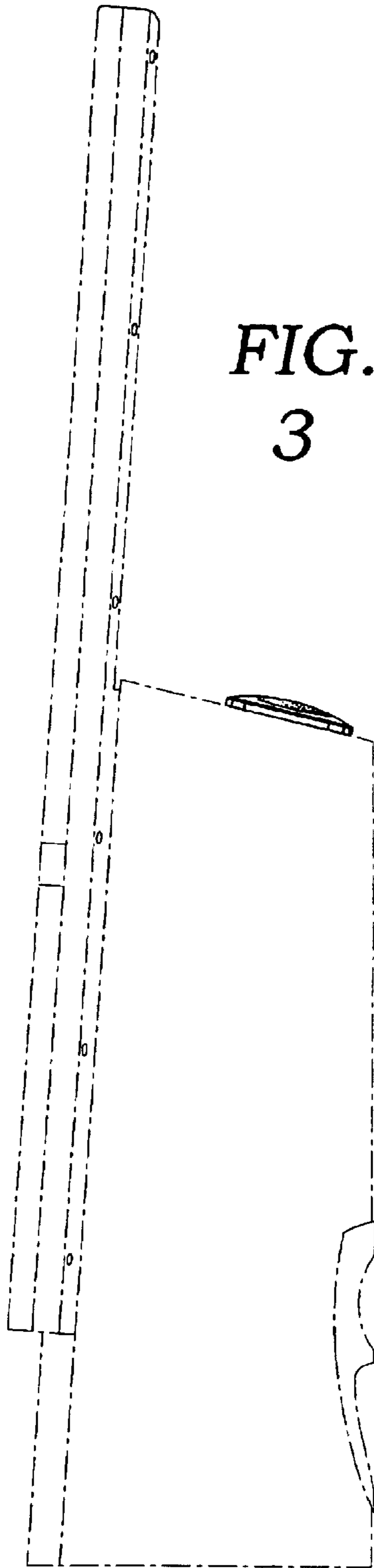


FIG.
3

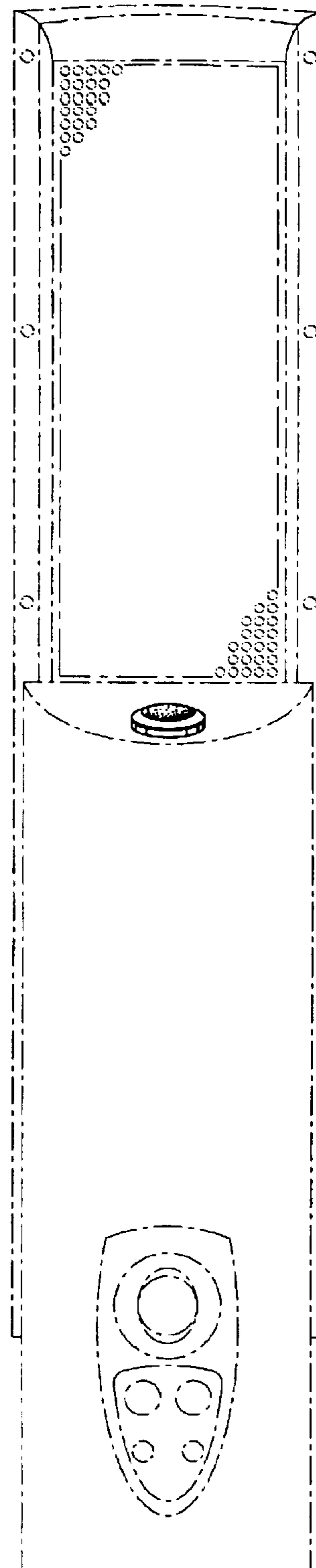


FIG.
4

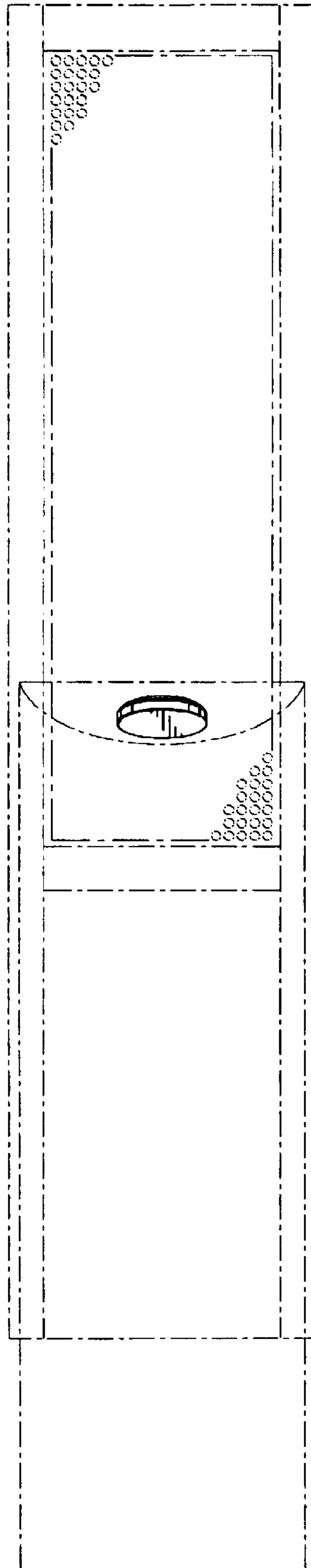


FIG.
5