



US00D517048S

(12) **United States Design Patent**  
**Huang**

(10) **Patent No.:** **US D517,048 S**  
(45) **Date of Patent:** **\*\* Mar. 14, 2006**

(54) **HOUSING FOR A SPEAKER**

(76) Inventor: **Chun-Ming Huang**, 10F-1, No. 3,  
Baoshan 3rd St., Taichung (TW)

(\*\*) Term: **14 Years**

(21) Appl. No.: **29/210,851**

(22) Filed: **Aug. 9, 2004**

(51) **LOC (8) Cl.** ..... **14-01**

(52) **U.S. Cl.** ..... **D14/215**

(58) **Field of Classification Search** ..... D14/204,  
D14/207, 209-216, 356; 181/143-144, 147-148,  
181/150, 157, 198-199, 151, 153; 381/300-302,  
381/306, 333, 345, 361-364, 386-388, 332,  
381/336

See application file for complete search history.

(56) **References Cited**

**U.S. PATENT DOCUMENTS**

D440,557 S \* 4/2001 Su ..... D14/215  
D449,036 S \* 10/2001 Weikel et al. .... D14/215  
D480,066 S \* 9/2003 Martikainen ..... D14/214

D487,076 S \* 2/2004 Nakane et al. .... D14/216

\* cited by examiner

*Primary Examiner*—Nanda Bondade

(74) *Attorney, Agent, or Firm*—Rosenberg, Klein & Lee

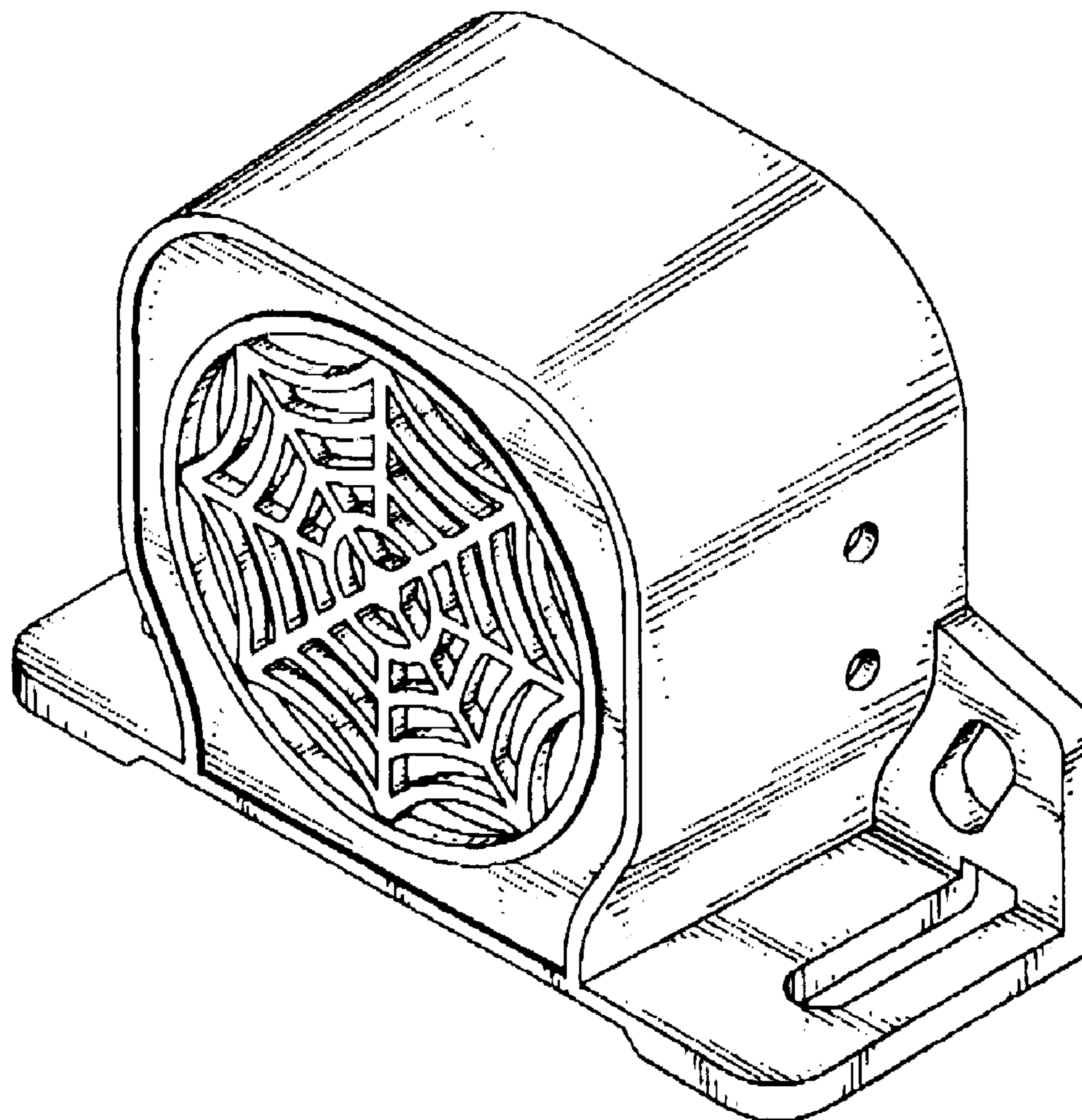
(57) **CLAIM**

The ornamental design for a housing for a speaker, as shown and described.

**DESCRIPTION**

FIG. 1 is a perspective view of a housing for a speaker, showing my new design;  
FIG. 2 is a front elevational view thereof;  
FIG. 3 is a rear elevational view thereof;  
FIG. 4 is a left side elevational view thereof;  
FIG. 5 is a right side elevational view thereof;  
FIG. 6 is a top plan view thereof;  
FIG. 7 is a bottom plan view thereof; and,  
FIG. 8 is a perspective view thereof, wherein the broken lines are shown for illustrative purpose only and form no part of the claimed design.

**1 Claim, 5 Drawing Sheets**



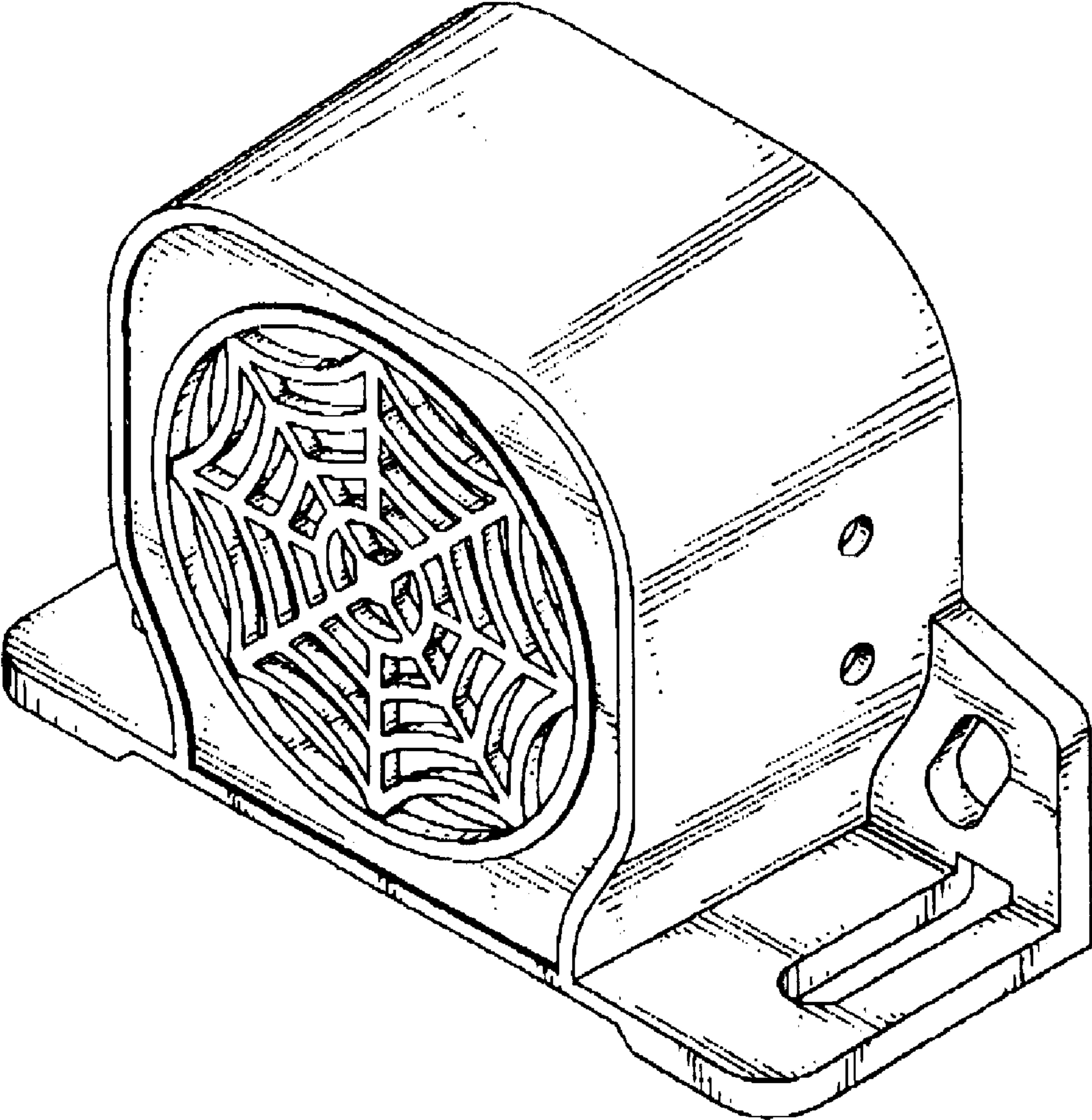


FIG. 1

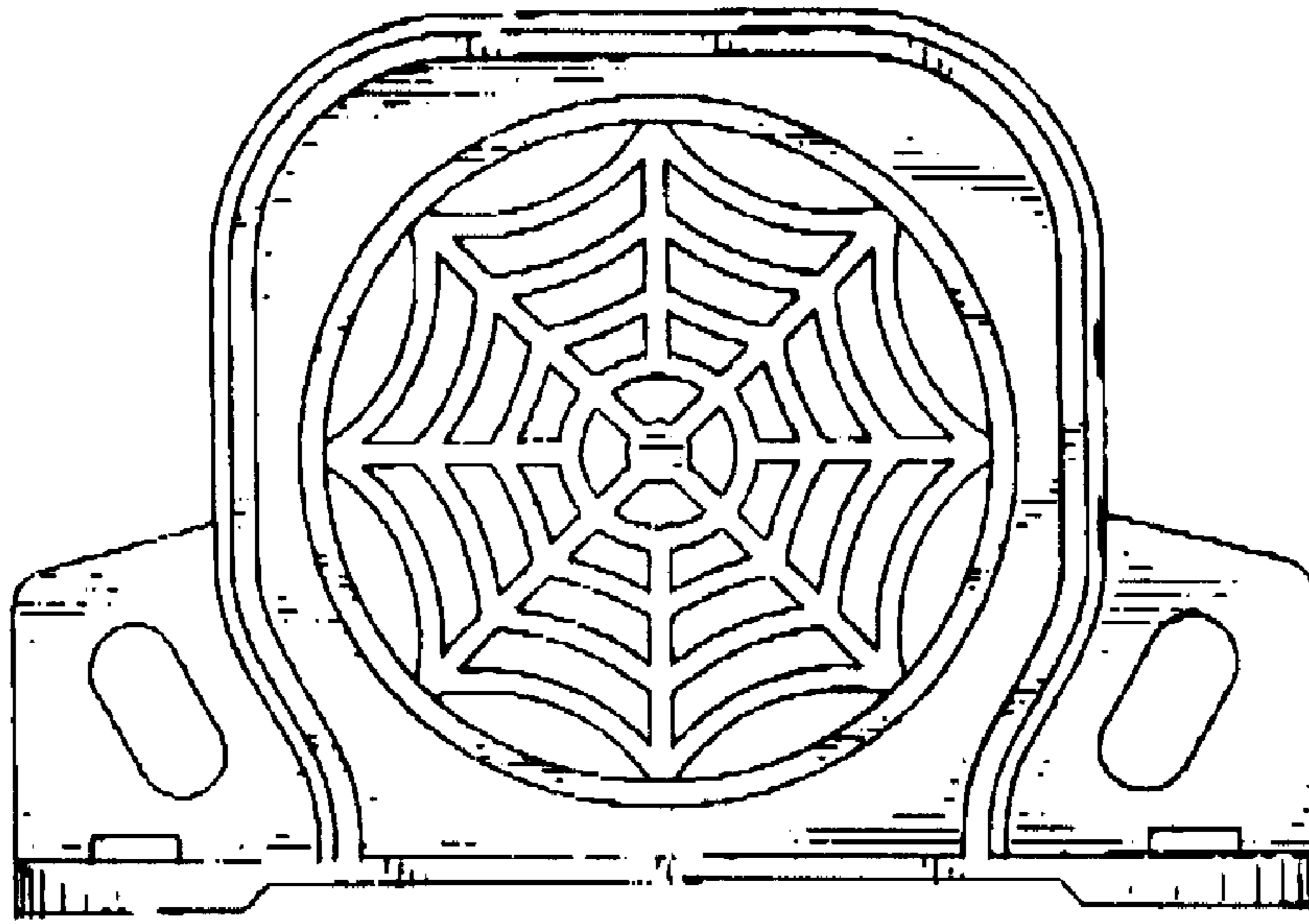


FIG. 2

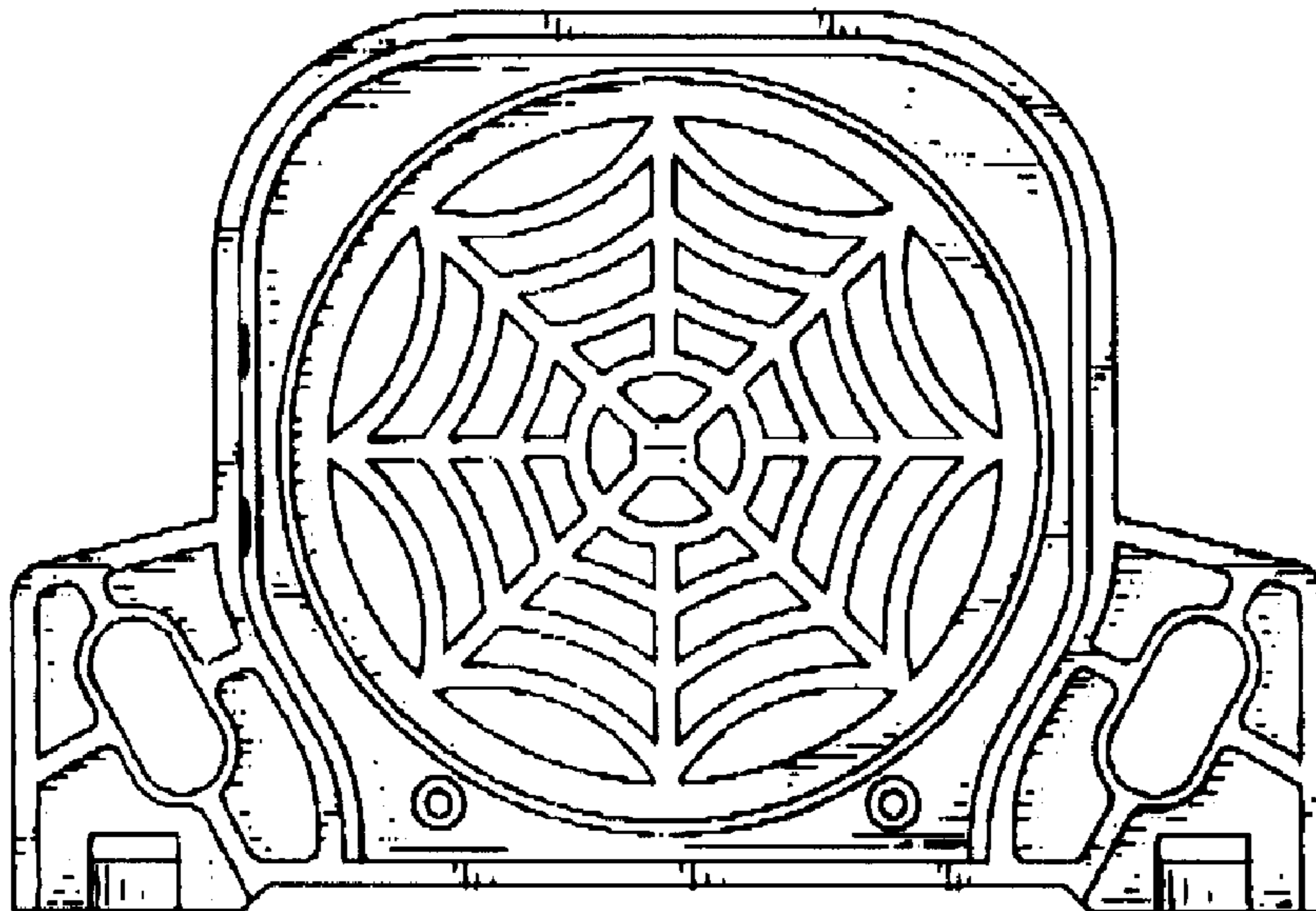


FIG. 3

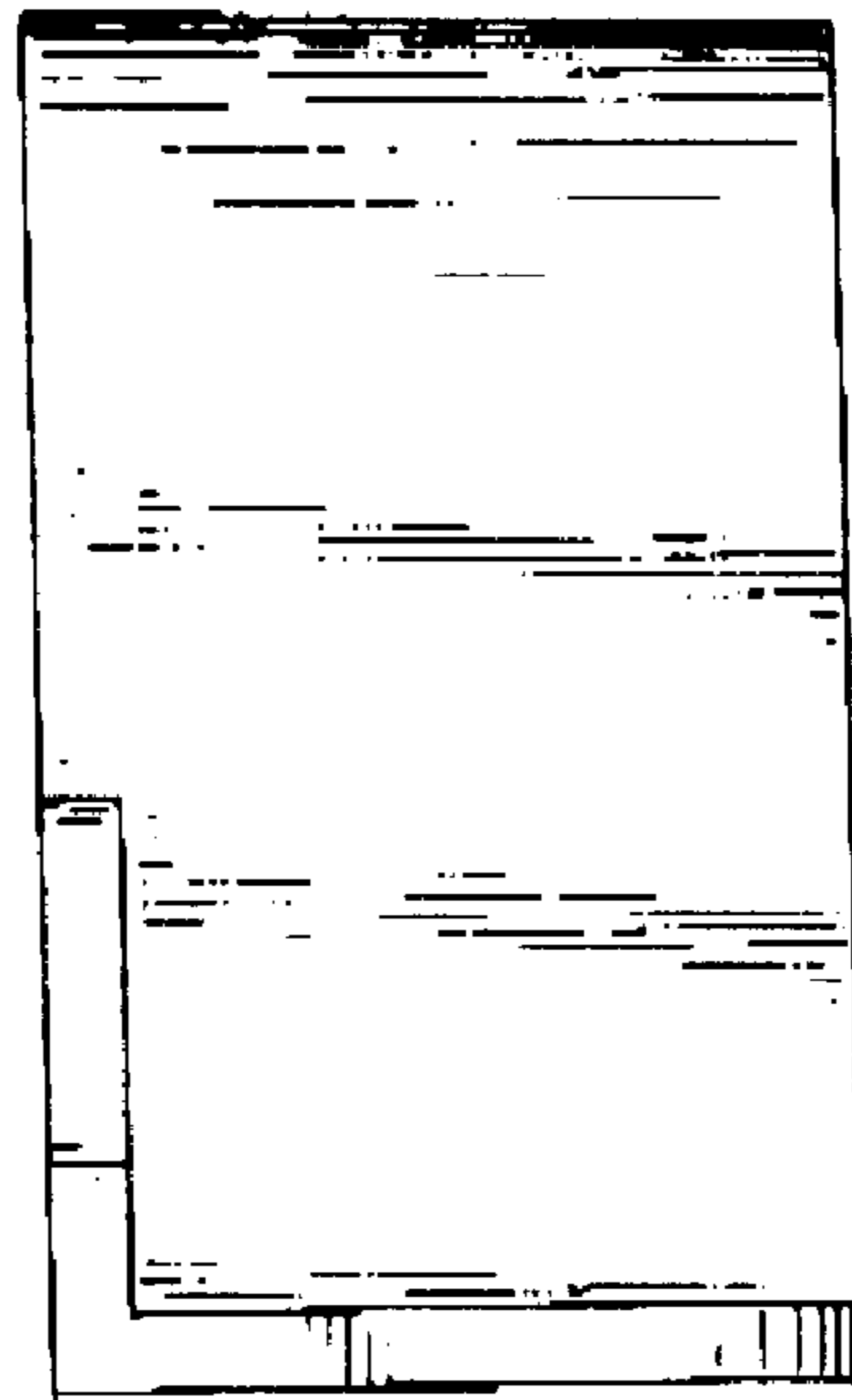


FIG. 4

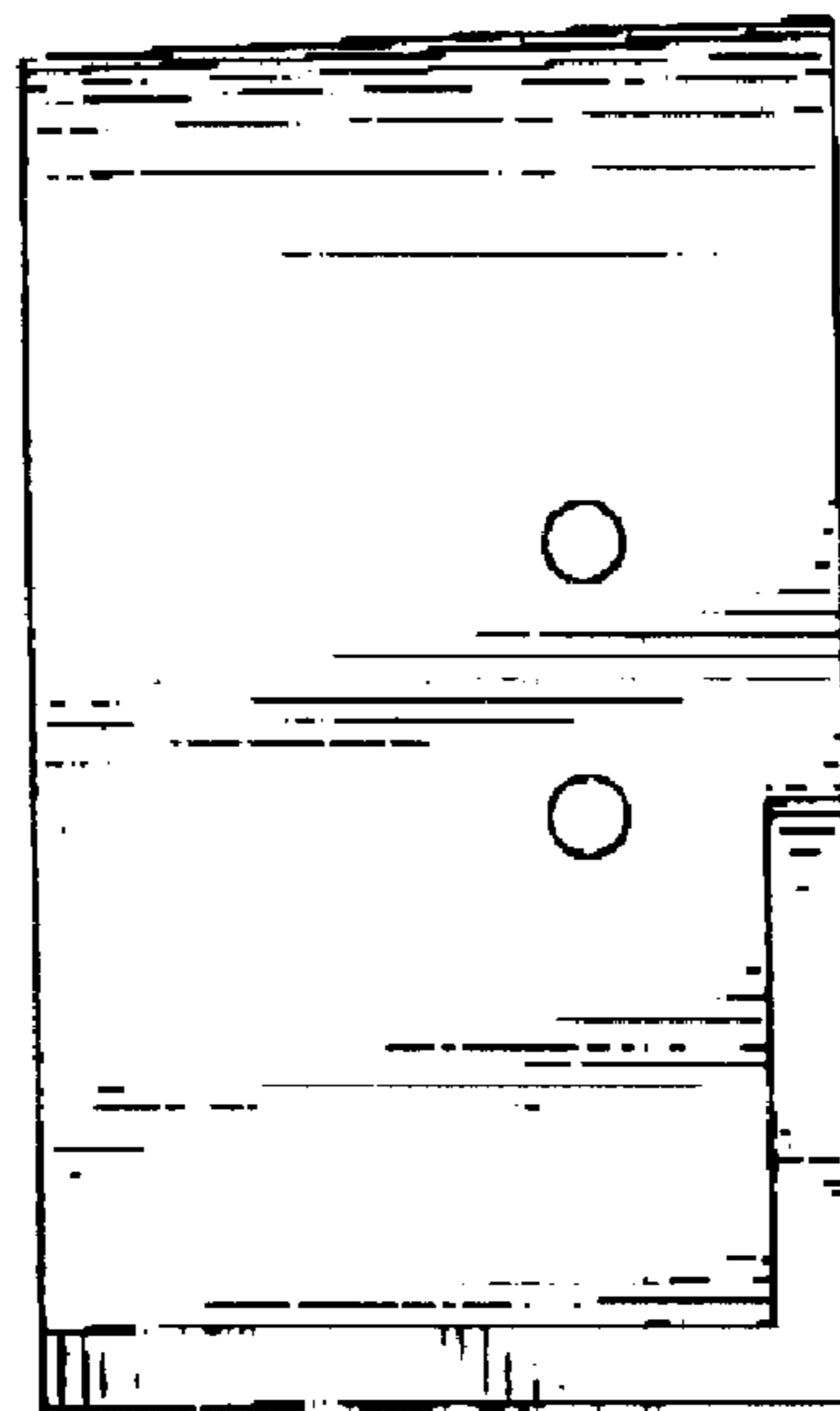


FIG. 5

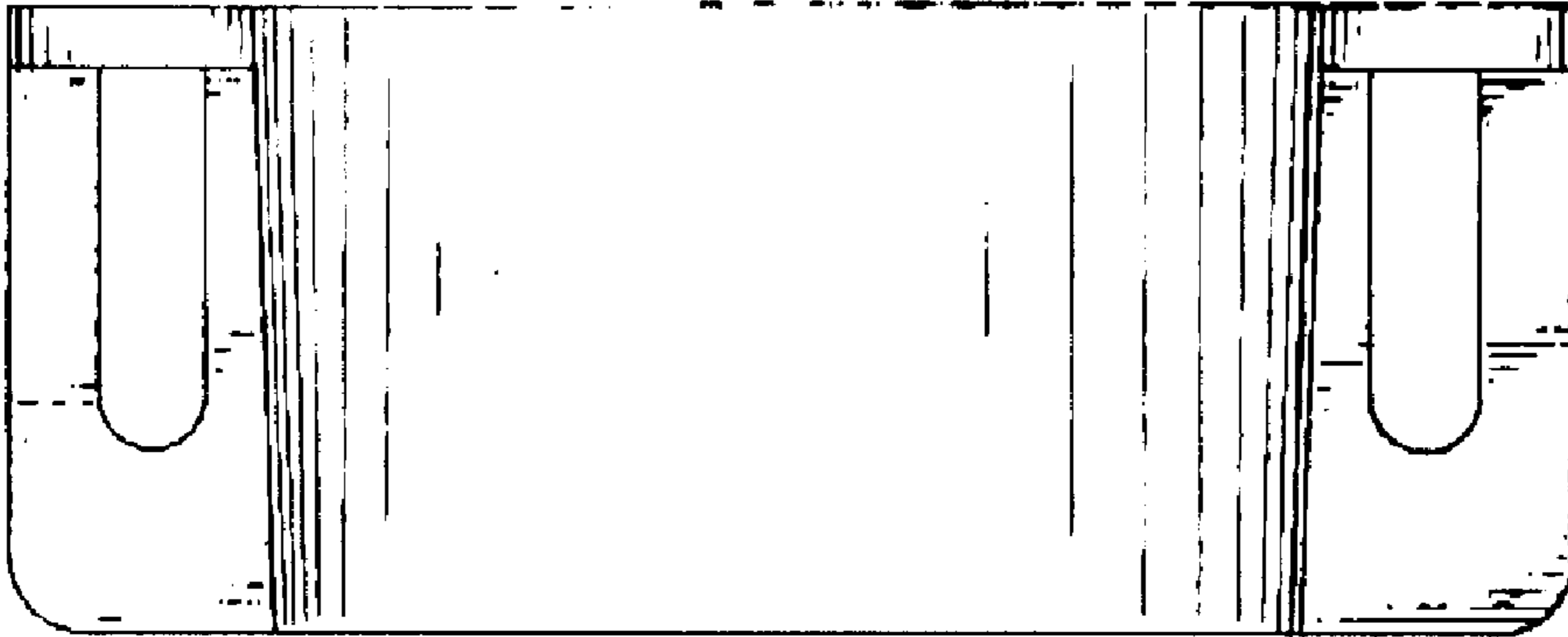


FIG. 6

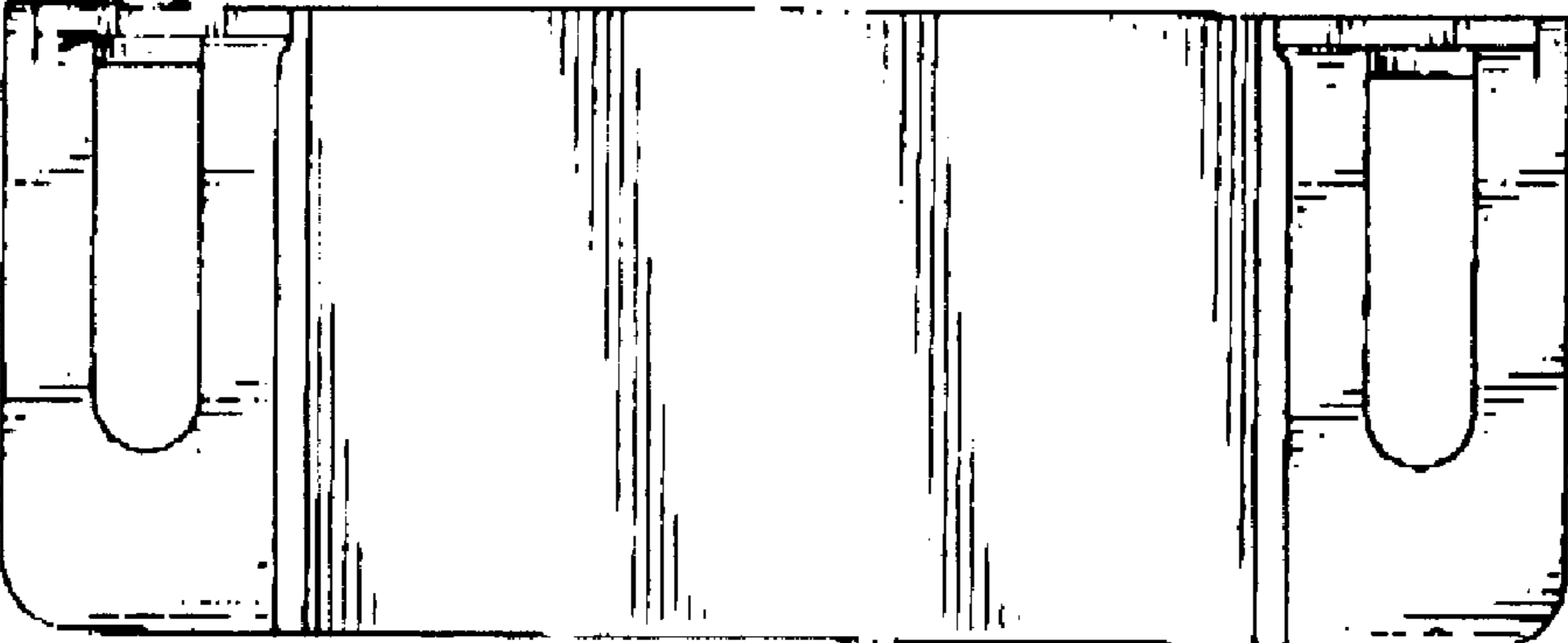


FIG. 7



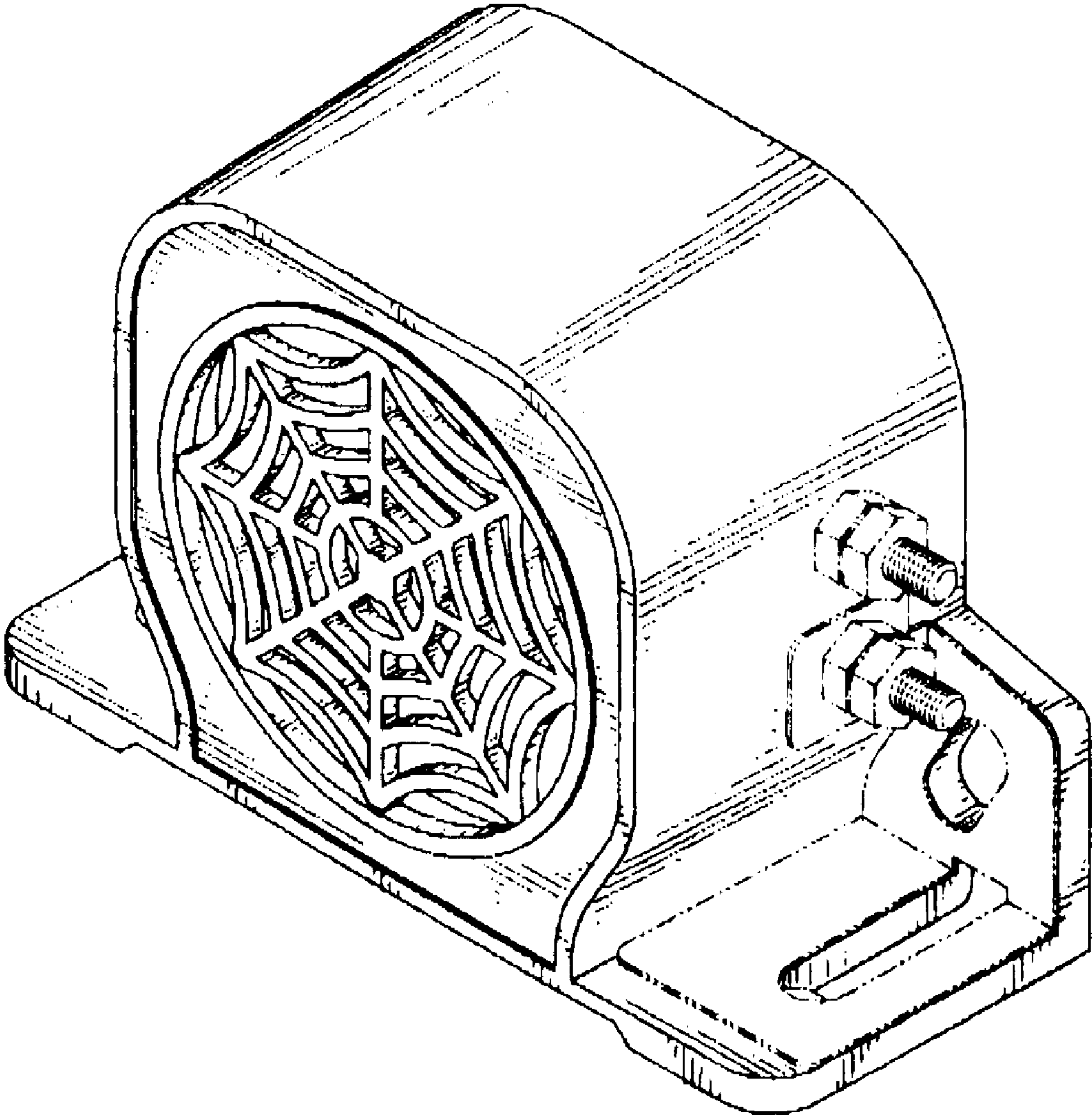


FIG.8